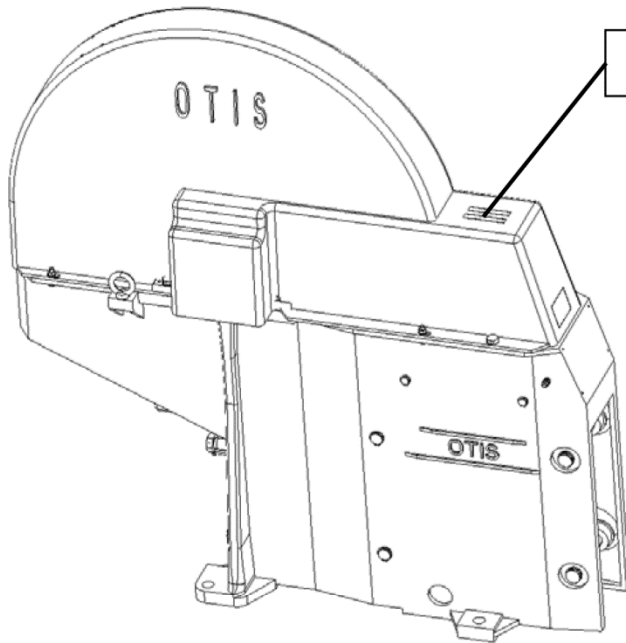


Type 7063F Governor Encoder Retrofit Kit

Spare Parts Leaflet 15-AAA27076HC

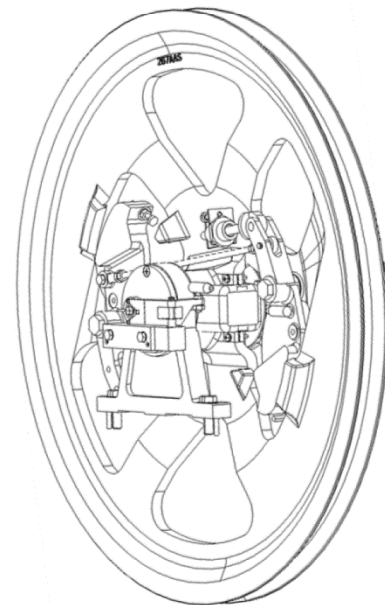
July 20, 2016 / Page 1 of 10



15

A - AAA27076HC

AAA27076HC
Sheave Assembly



OTIS

SERVICE ENGINEERING
Otis Elevator Company
Bloomfield, Connecticut USA

Unpublished Work—© Otis Elevator Co.; 2016

Leaflet Description

This leaflet provides spare parts information for the replaceable components of the AAA27076HC type 7063F governor encoder retrofit kit. This retrofit kit is used in types 7063F, A7063F, AAA7063AH, AAB7063AH, JAA20621AAA, JBA20621AAA, JAA20621AAB, and JBA20621AAB governors. For replaceable components of these governors not covered in this SPL, refer to the SPLs in the related documents section below.

NOTE: Elevonic SkyRise Modernization Orders to be filled by the Mod CLC at OSC.

Leaflet Revisions

Date Revised	Subject Matter Expert	Reason for Revision
July 20, 2016	Juan Murillo	New SPL

Related Drawings

Drawing No.	Title	Drawing No.	Title
7063F	Arrangement & Assembly, 7063F Governor, 24" Sheave	JAA20621AAA	A7063F Governor
A7063F	Assembly 24" Governor	JBA20621AAA	A7063F Governor
AAA7063AH	Assembly 24" Governor, With PRS Position	JAA20621AAB	AAB7063AH Governor, With PRS Option
AAB7063AH	Assembly 24" Governor, With PRS Position	JBA20621AAB	AAB7063AH Governor, With PRS Option

Related Documents

Document ID	Title
SPL 15-A7063F	Type 7063F Governor
SPL 15-JAA20621AAA	Type A7063F Governor
SPL 15-JAA20621AAB	Type AAB7063AH Governor with Position Reference System
TIP 9.2.3-1	Type 7063F Governor Encoder Retrofit Kit Installation

Subject Matter Expert

Name	Department
Juan Murillo	OSC Service Engineering

About Spare Parts Leaflets...

This document lists the lowest replaceable units (LRUs) for the standard version of the product. The LRUs are chosen by a team of Otis associates representing engineering and manufacturing.

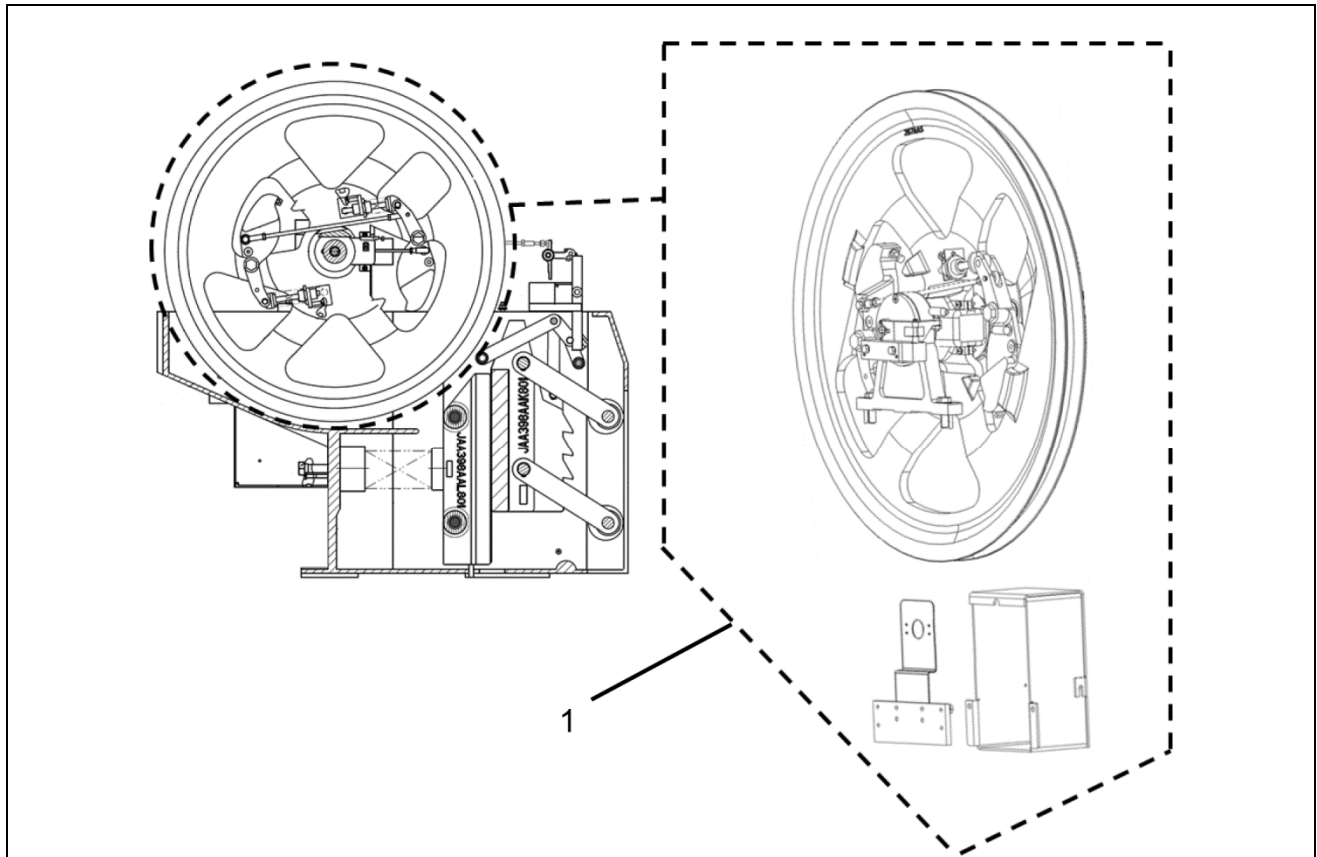
While goal of this document is to make parts identification as easy as possible, the document cannot be all-inclusive. Elevator and escalator contracts classified as "special" or "custom" are not addressed here. For such contracts, please refer to specified information, the contract folder, TIPs, Field Education Articles, Construction Letters, etc. for further information.


If you have any suggestions about this document, please contact the subject matter expert listed on this page.

Type 7063F Governor Encoder

15-AAA27076HC

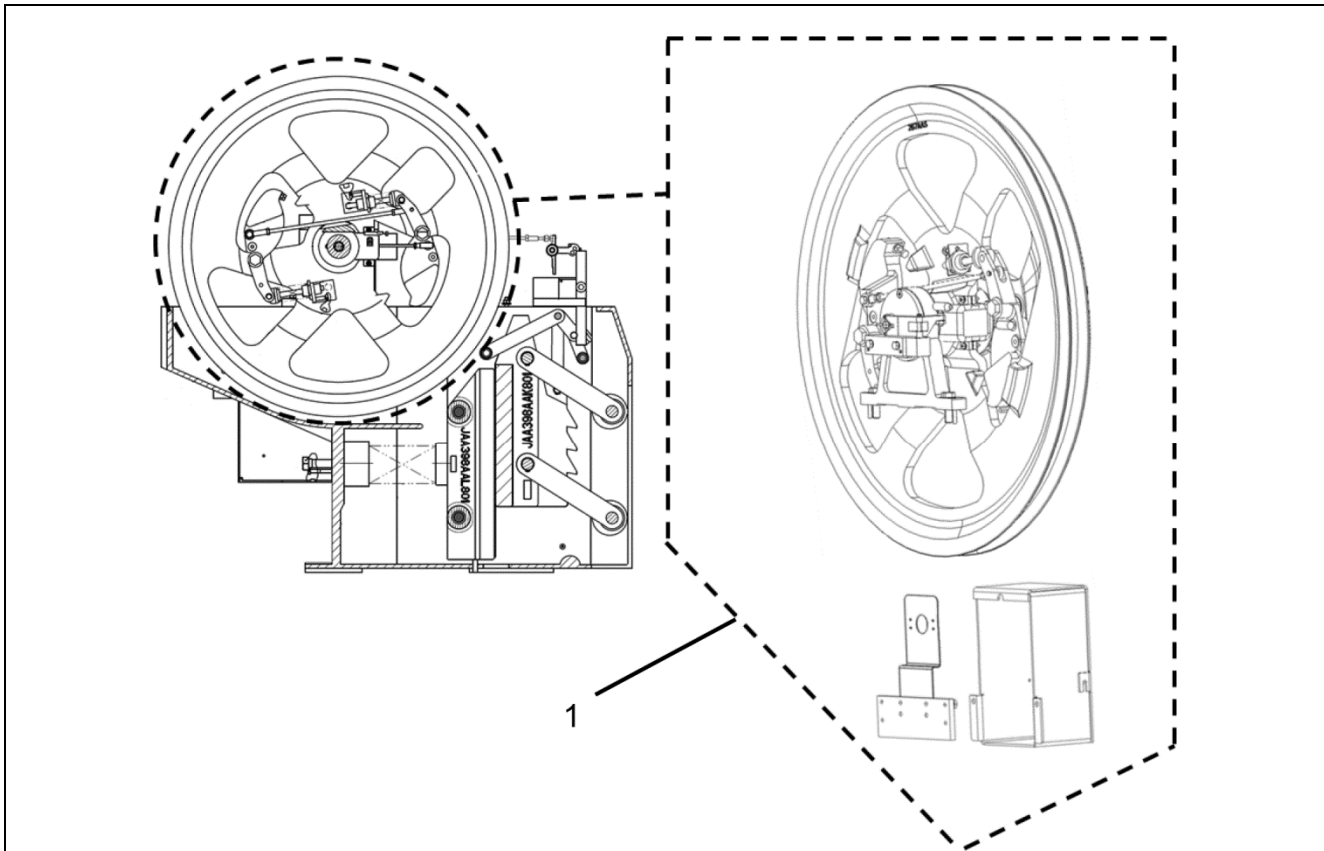
Retrofit Kit




		AAA27076HC			
REF. No.	PART No.	Contract Speed (fpm)	Car/CWT	Hand	DESCRIPTION
1	AAA27076HC1	1000	Car		Kit, Sundries, Type 7063F Governor Encoder Retrofit
	AAA27076HC2	1200			
	AAA27076HC3	1400			
	AAA27076HC4	1600			
	AAA27076HC5	1800			
	AAA27076HC6	2000			
	AAA27076HC7	1000	CWT		
	AAA27076HC8	1200			
	AAA27076HC9	1400			
	AAA27076HC10	1600			
	AAA27076HC11	1800			
	AAA27076HC12	2000			

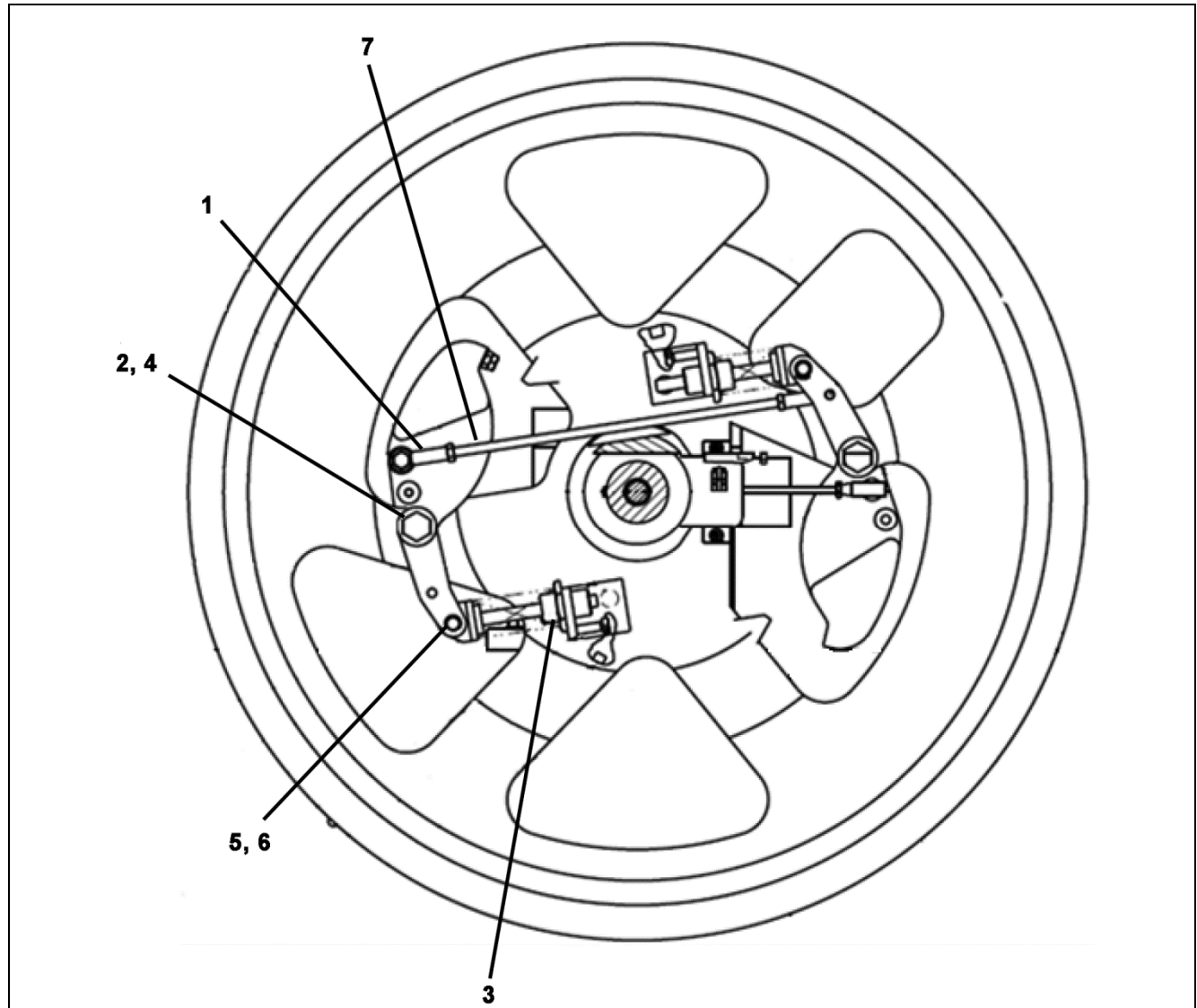
(Continued on next page)

**Type 7063F Governor Encoder
Retrofit Kit**



AAA27076HC					
REF. No.	PART No.	Contract Speed (fpm)	Car/CWT	Hand	DESCRIPTION
1	AAA27076HC13	1000	Car		Kit, Sundries, Type 7063F Governor Encoder Retrofit
	AAA27076HC14	1200			
	AAA27076HC15	1400			
	AAA27076HC16	1600			
	AAA27076HC17	1800			
	AAA27076HC18	2000			
	AAA27076HC19	1000	CWT		
	AAA27076HC20	1200			
	AAA27076HC21	1400			
	AAA27076HC22	1600			
	AAA27076HC23	1800			
	AAA27076HC24	2000			

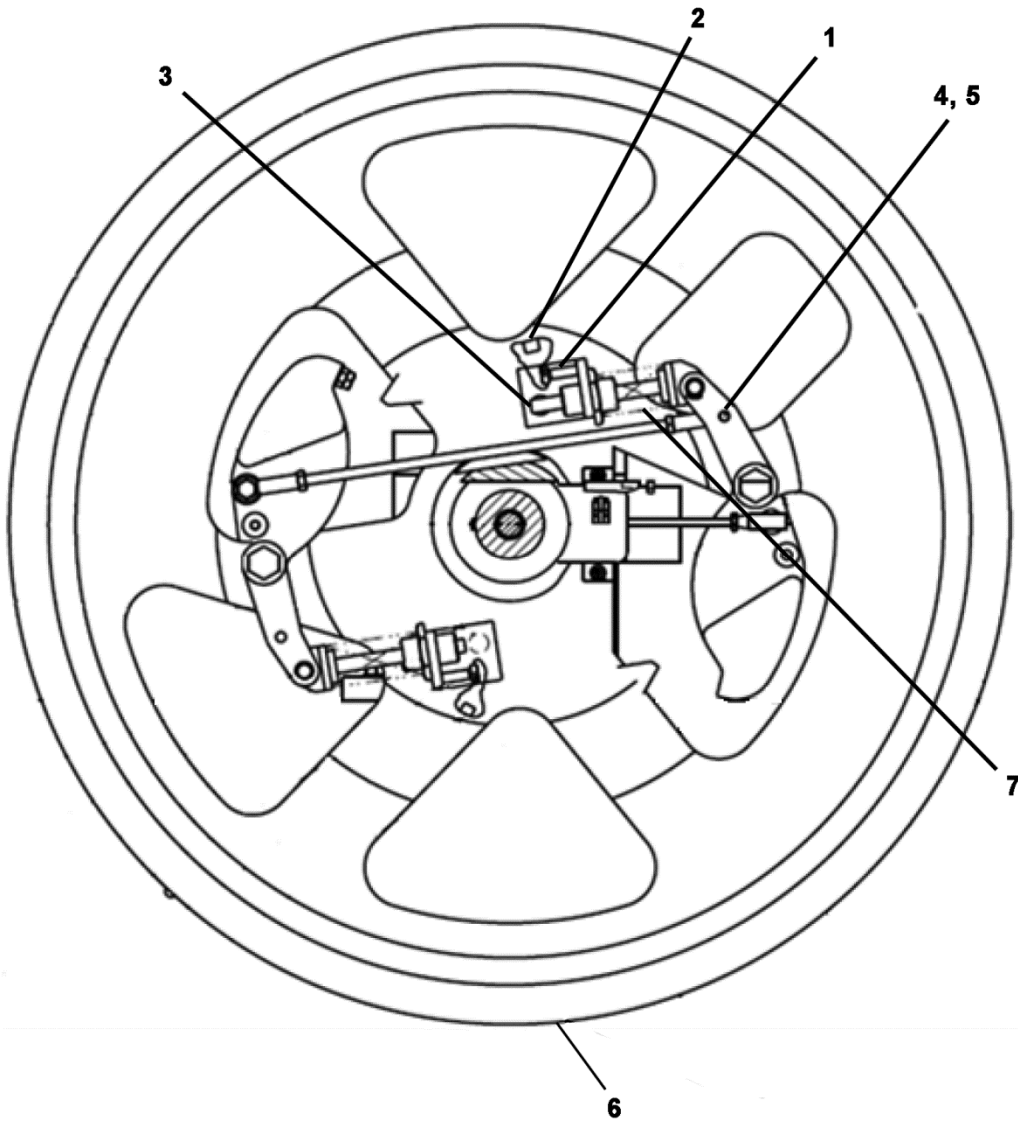
Retrofit Kit Parts



AAA27076HC		
REF. No.	PART No.	DESCRIPTION
1	JX212AA1	Bearing, Rod End
2	JX59BL2	Bolt, Shouldered, 12.656 mm
3	65DD2	Bolt, Special
4	335AB2	Bushing, Flyweight
5	77JP5	Pin, Weight Spring Pivot
6	172DE20	Ring, Retaining
7	JX96H197	Rod, Weight Connecting (M6 Threads) 282.6 mm L

(Continued on next page)

Retrofit Kit Parts

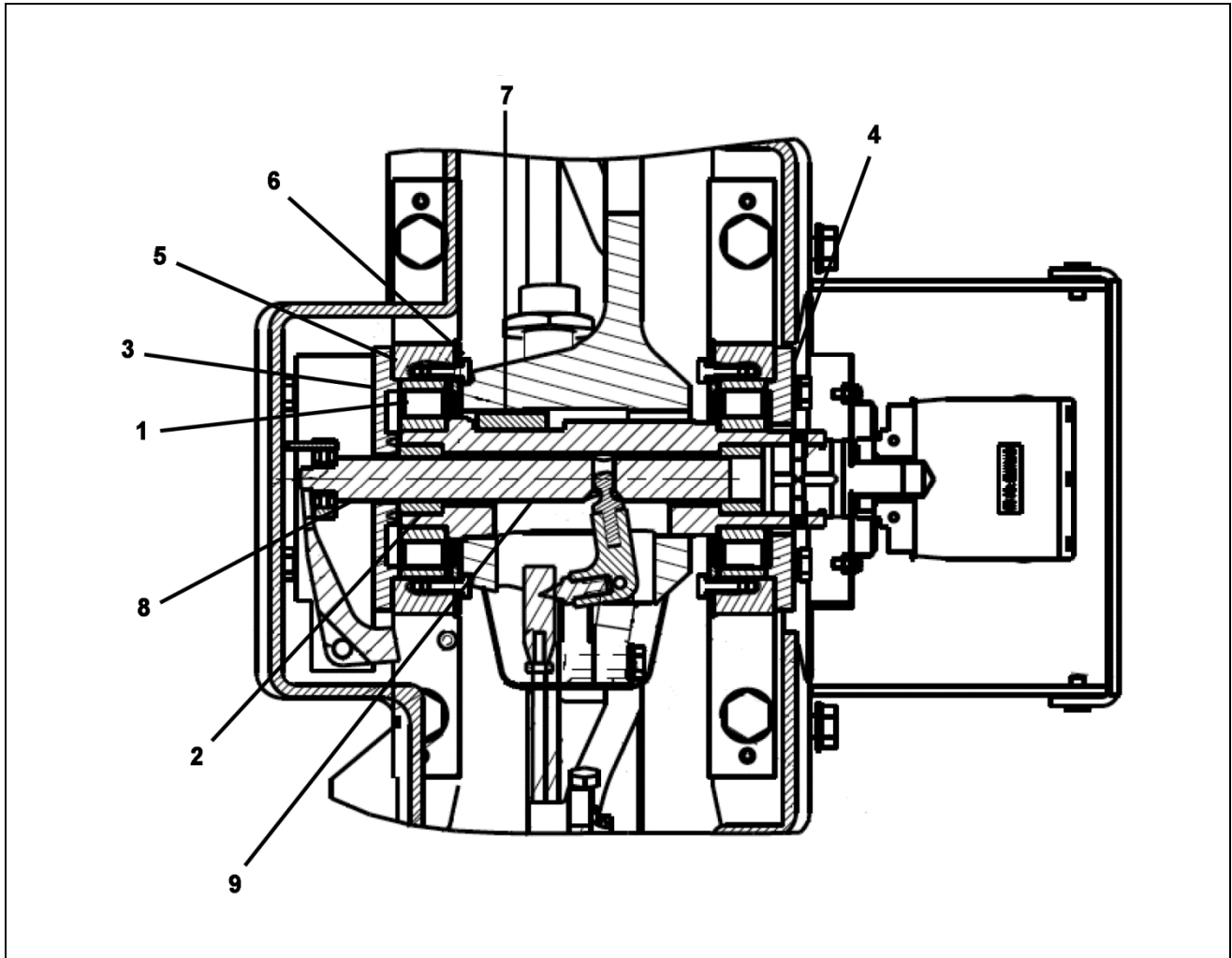


AAA27076HC		
REF. No.	PART No.	DESCRIPTION
1	JX58AD45	Bolt, M6 x 25 mm
2	JAA431AAV1	Lock
3	79BN1	Pin, Shouldered, for Weight Spring
4	JX77JP13	Pin, Weight Rod
5	172DE25	Ring, Retaining
6	JAA267AAS1	Sheave, Governor Rope (609.6) 7063F Governor
7	---	Spring, Compression, for Weights (per contract)

Type 7063F Governor Encoder

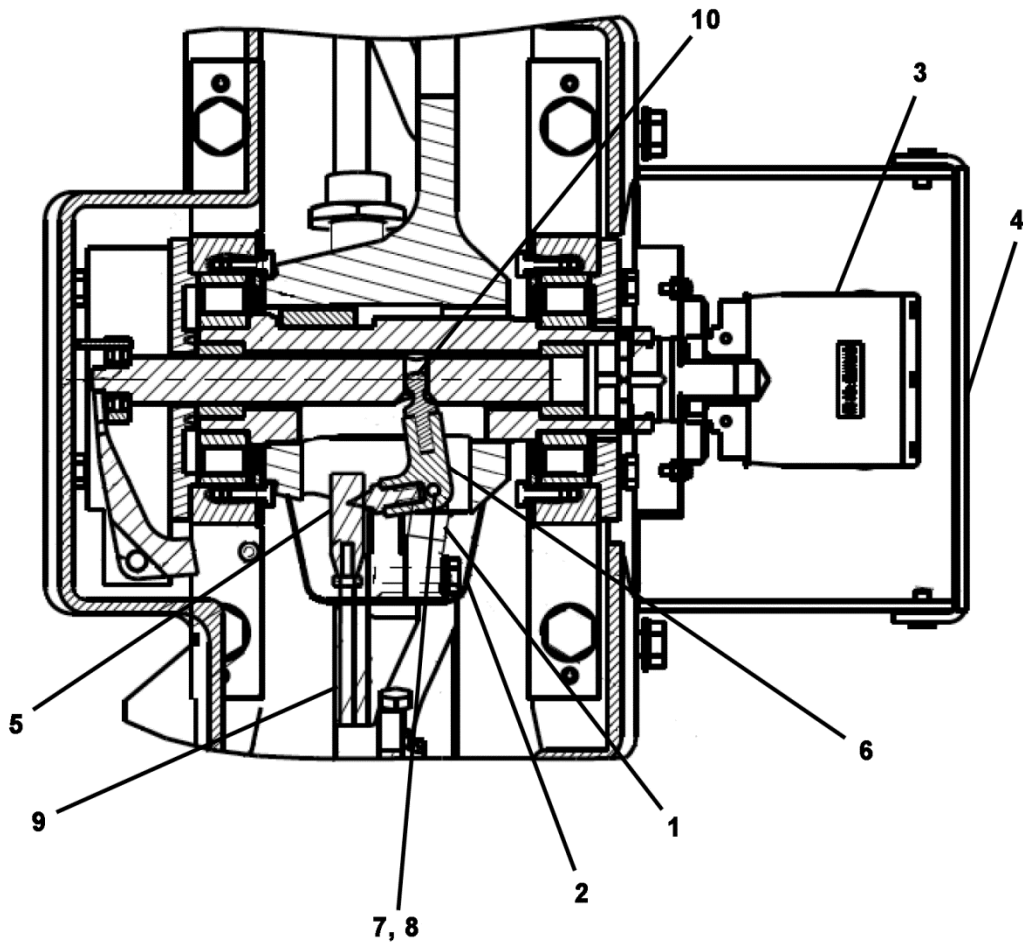
15-AAA27076HC

Retrofit Kit Parts



AAA27076HC		
REF. No.	PART No.	DESCRIPTION
1	JAA209ACB1	Bearing, Roller
2	335E98	Bushing
3	346AFN2	Cover
4	AAA346AXE1	Cover, Encoder Side
5	376EJ1	Gasket, Exterior
6	JAA376ABD1	Gasket, Interior
7	192E18	Key
8	---	Plunger (see p. 9)
9	JAA495ADB2	Shaft, with Bushings

Retrofit Kit Parts

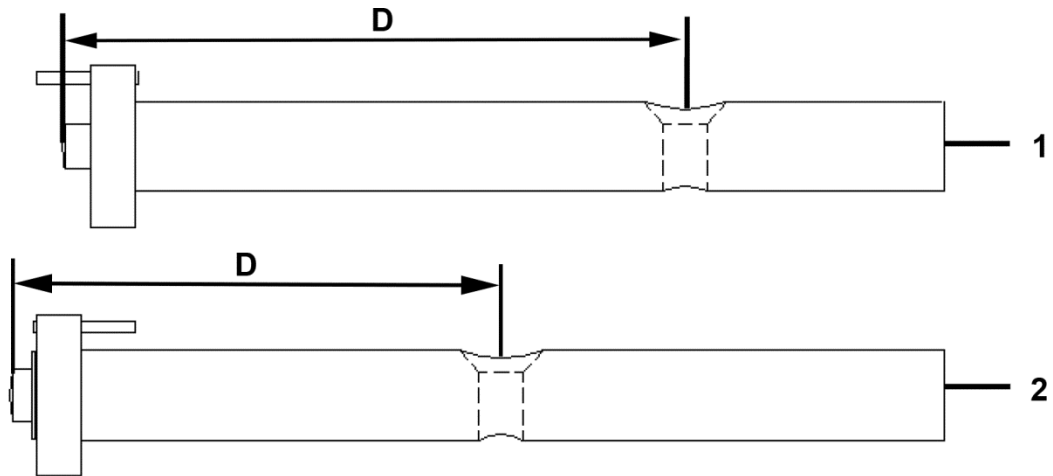


AAA27076HC		
REF. No.	PART No.	DESCRIPTION
1	316CGH1	Bracket, Linkage
2	346AFT2	Cover
3	KAA633AAB2	Encoder
4	KAA384ADK1	Guard, Encoder
5	307AY1	Lever, Swivel
6	307AX1	Linkage, Bell Crank
7	77JP18	Pin, Bell Crank
8	172DE26	Ring, Retaining (for bell crank)
9	96H198	Rod, Bell Crank/Weight Linkage (10–32), 4 in. L
10	124BS1	Screw, Ball, (10–32) (for plunger engagement)

Type 7063F Governor Retrofit

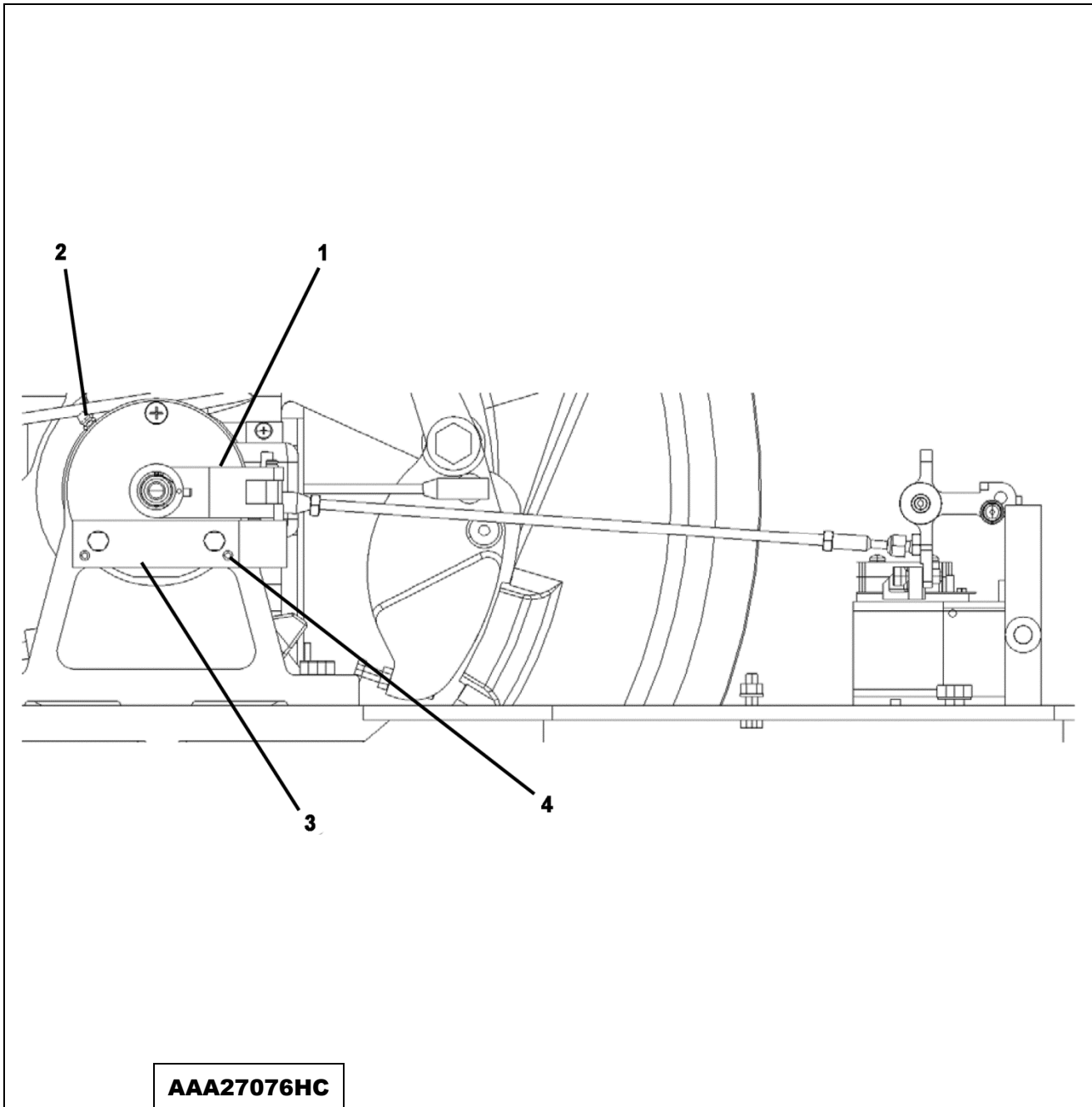
15-AAA27076HC

Kit Plungers



AAA27076HC

REF. No.	PART No.	DESCRIPTION	Governor Hand	D
1	445BT8	Plunger	☞	4.32 in. (110 mm)
2	AAA445EH3	Plunger	☜	3.40 in. (86 mm)

**Type 7063F Governor Encoder
Retrofit Kit Parts**

AAA27076HC		
REF. No.	PART No.	DESCRIPTION
1	307BC1	Bell Crank Lever
2	JAA435AAH1	Fitting, Lubricator
3	462FX2	Spacer
4	81AX53	Pin, Roll