

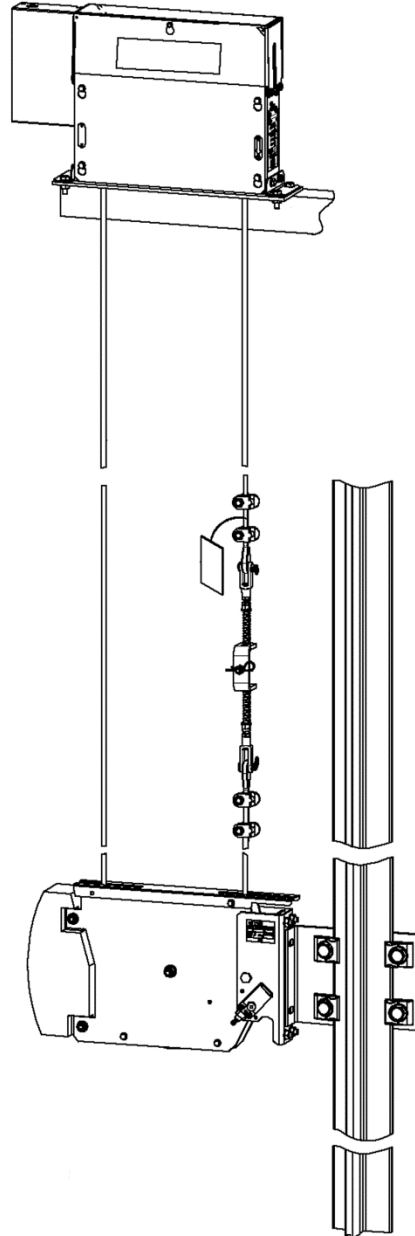
**Car Governor System**  
**(Gen2® Limited Duty)**

**Spare Parts Leaflet**

**15-AAA29513A**

**October 26, 2011 / Page 1 of 3**

**W/O  
VINTAGE**



**OTIS**

**Safety First!**

**SERVICE ENGINEERING**  
**Otis Elevator Company**  
**Bloomfield, Connecticut USA**

**Leaflet Description**

This leaflet provides spare parts information for the car governor components used with the Gen2™ Limited Duty elevator system.

**Leaflet Revisions**

<b>Date Revised</b>	<b>Subject Matter Expert</b>	<b>Reason for Revision</b>
June 24, 2003	Wendy Smerk	New SPL
April 18, 2005	Wendy Smerk	Updated ref. 3 on p. 3 to a new p/n AAA712W57; added p/n AAA102ACD2; added dwg. AAA29000AJ to the Related Drawings Table
March 11, 2009	Gary Mendrala	Updated ref. 3 on p. 3 to a new p/n AAA712W58
October 26, 2011	Gary Mendrala	Added ACA22290C2.

**Related Drawings**

<b>Drawing No.</b>	<b>Title</b>	<b>Drawing No.</b>	<b>Title</b>
AAA29513A	Gen2 R2 Arrangement & Assembly Car Governor System	AAA29000AC	Arrangement Gen2 R2 NAA (953 and 1134 kg Duties)
		AAA29000AJ	Arrangement Gen2 NSAA (2100–4000 lb. passenger duties) (4000–5000 lb. hospital duties)

**Related Documents**

<b>Document ID</b>	<b>Title</b>
SPL 15-TAA20602B	Governor Traction System Sheave Ø305 mm Limitador Sistema Traccion Polea Ø305 mm
SPL 15-T_A22700E	Tension Device Tensalimitador

**Subject Matter Expert**

<b>Name</b>	<b>Department</b>
Gary Mendrala	OSC Service Engineering

**About Spare Parts Leaflets...**

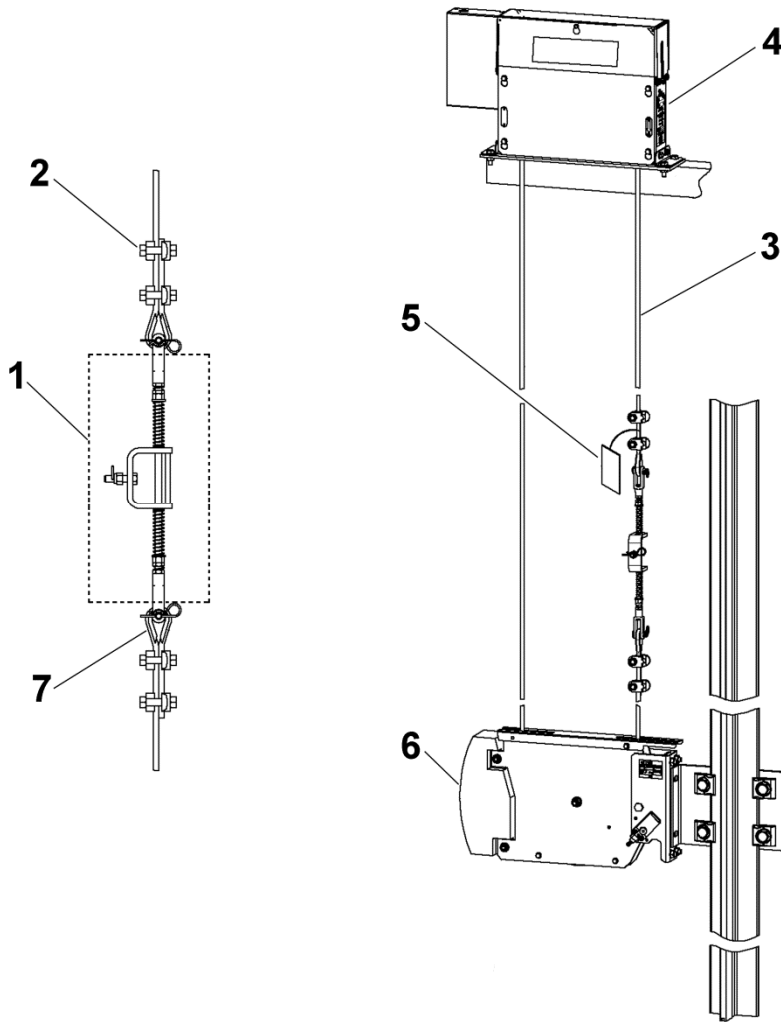
This document lists the lowest replaceable units (LRUs) for the standard version of the product. The LRUs are chosen by a team of Otis associates representing engineering and manufacturing.



While goal of this document is to make parts identification as easy as possible, the document cannot be all-inclusive. Elevator and escalator contracts classified as “special” or “custom” are not addressed here. For such contracts, please refer to specified information, the contract folder, TIPS, Field Education Articles, Construction Letters, etc. for further information.

If you have any suggestions about this document, please contact the subject matter expert listed on this page.

# Car Governor System

15-AAA29513A



REF. No.	W/O VINTAGE PART No.	DESCRIPTION
1	FAA299CJ1 ACA22290C2	Assembly, Rope Damping
2	336KX1	Clamp, Rope
3	AAA712W3 <del>AAA712W57</del> AAA712W58	Rope (for governor), Diameter 9.5 mm (3/8 in.), Dual Tensile, Poly Core; Order per Foot
4	---	Speed Governor, Type B,  SPL 15-TAA20602B
5	AAA102ACD2	Tag, Rope Data (NOTE: This is a replacement tag—original to be supplied by the vendor.)
6	---	Tension Device,  SPL 15-T_A22700E
7	AAA231R2	Thimble, Rope