

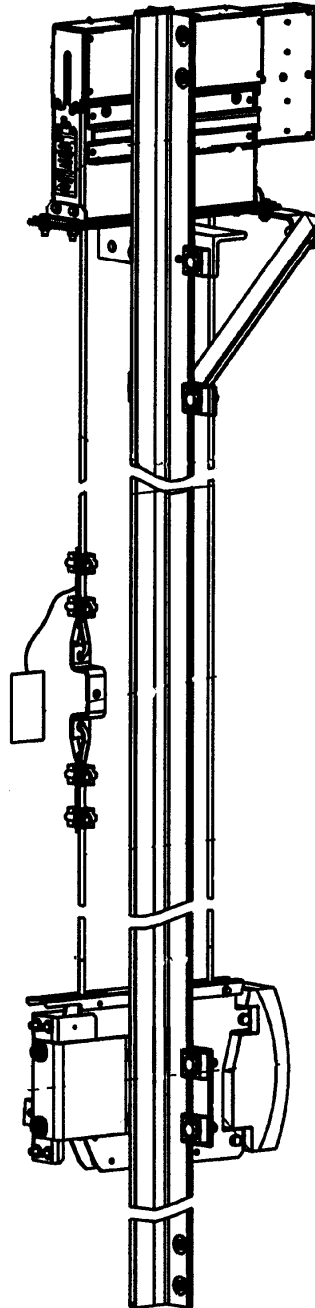
**Gen2® Counterweight
Governor System**

Spare Parts Leaflet

15-AAA29513C

March 11, 2009 / Page 1 of 3

**W/O
VINTAGE**



OTIS

Safety First!

**SERVICE ENGINEERING
Otis Elevator Company
Bloomfield, Connecticut USA**

Leaflet Description

This leaflet provides spare parts information for the counterweight governor system used with the Gen2™ elevator system.

Leaflet Revisions

Date Revised	Subject Matter Expert	Reason for Revision
July 10, 2003	Wendy Smerk	New SPL
July 10, 2004	Wendy Smerk	Changed title; changes on History page and page 3.
April 19, 2005	Wendy Smerk	Updated ref. 5 on p. 3 to a new p/n AAA712W57; added dwg. AAA29000AJ to the Related Drawings Table.
March 11, 2009	Gary Mendrala	Updated ref. 5 on p. 3 to a new p/n AAA712W58

Related Drawings

Drawing No.	Title	Drawing No.	Title
AAA29513C	Gen2 R2 ED Arrangement & Assembly Counterweight Governor System	AAA29000AD	Arrangement Gen2 R2 NSAA (2500–4000 lb. passenger duties) (4000–5000 lb. hospital duties)
AAA29000AF	Arrangement Gen2 NSAA (2500–4000 lb. passenger duties) (4000–5000 lb. hospital duties)	AAA29000AJ	Arrangement Gen2 NSAA (2100–4000 lb. passenger duties) (4000–5000 lb. hospital duties)

Related Documents

Document ID	Title
SPL 15-TAA20602B	Apollo B Governor, Traction System Sheave \varnothing 305 mm
SPL 15-T_A22700E	Tension Device (Tensalimitador)

Subject Matter Expert

Name	Department
Gary Mendrala	OSC Service Engineering

About Spare Parts Leaflets...

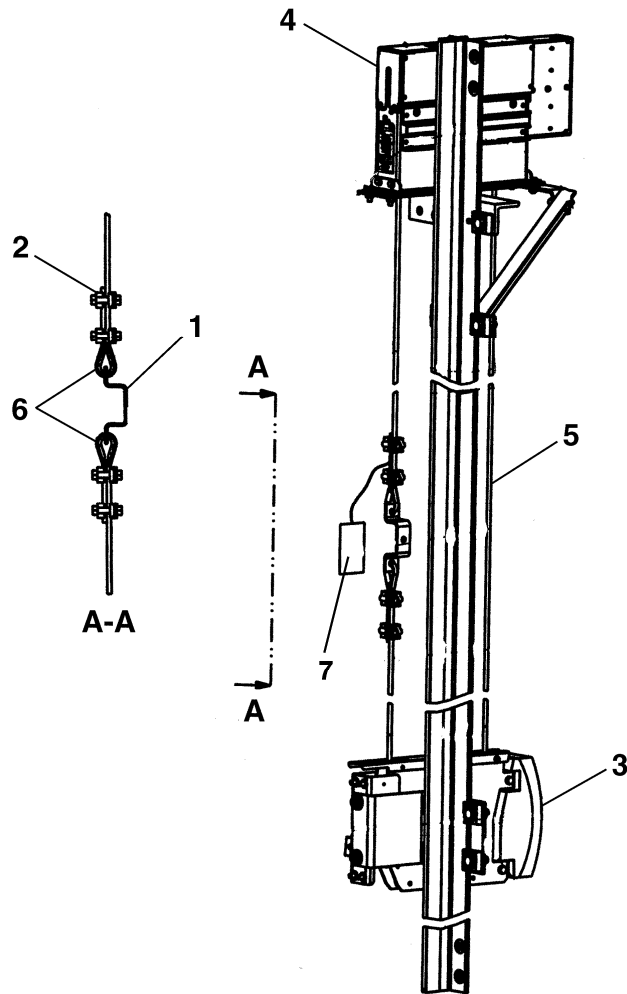
This document lists the lowest replaceable units (LRUs) for the standard version of the product. The LRUs are chosen by a team of Otis associates representing engineering and manufacturing.

While goal of this document is to make parts identification as easy as possible, the document cannot be all-inclusive. Elevator and escalator contracts classified as “special” or “custom” are not addressed here. For such contracts, please refer to specified information, the contract folder, TIPs, Field Education Articles, Construction Letters, etc. for further information.

If you have any suggestions about this document, please contact the subject matter expert listed on this page.

Counterweight Governor System

15-AAA29513C



NOTE: Machine-roomless and machine room arrangements have the same components. Illustration shows the machine-roomless arrangement.

REF. No.	W/O VINTAGE PART No.	DESCRIPTION
1	AAA316GZV1	Bar
2	336KX1	Clamp, Rope
3	---	Devise, Tension (see SPL 15-T_A22700E)
4	---	Governor, Speed, Type B (see SPL 15-TAA20602B)
5	AAA712W3 AAA712W57 AAA712W58	Rope (for governor), 9.5 mm Diameter (3/8 in.), Dual Tensile, Poly Core; Order per Foot
6	AAA231R2	Thimble, Rope
7	AAA102ACD2	Tag, Rope Data (NOTE: This is a replacement tag—original to be supplied by the vendor.)