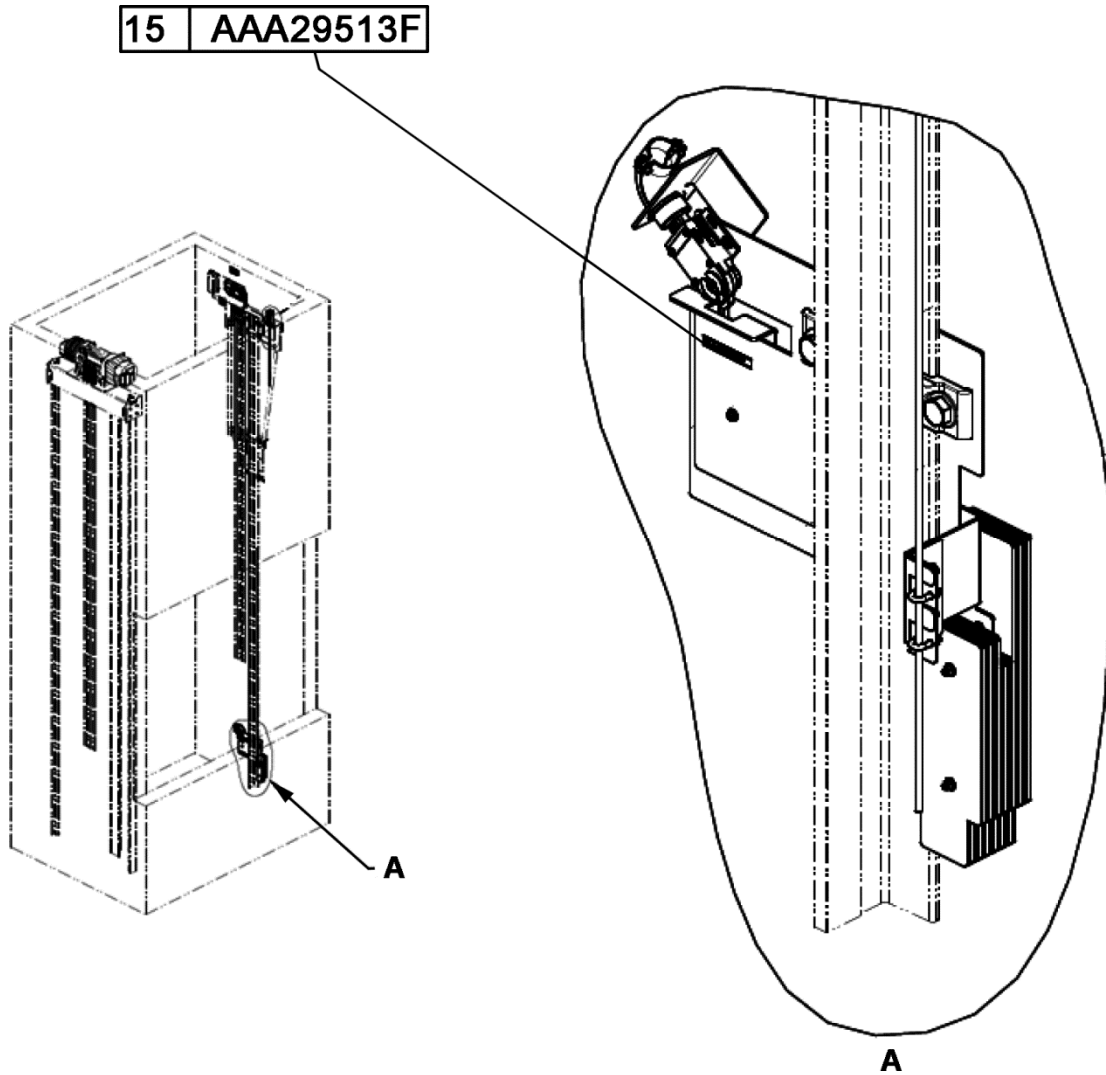


Governor Rope Tension Device

Spare Parts Leaflet

15-AAA29513F

July 8, 2020 / Page 1 of 3



OTIS

This document does not contain any
technical data subject to EAR or ITAR

SERVICE ENGINEERING
Otis Elevator Company
Bloomfield, Connecticut USA

Unpublished Work—© Otis Elevator Co.; 2020

Leaflet Description

This leaflet covers spare parts for the car mounted governor rope tension device.

Leaflet Revisions

Date Revised	Subject Matter Expert	Reason for Revision
August 22, 2012	Peter Locke	New SPL
July 8, 2020	Juan Murillo	Replaced p/n AAA22700Z400 with p/n AAA65KZ1 on p. 3

Related Drawings

Drawing No.	Title
AAA29513F	Governor Rope Termination Hardware
AAA22700Z	Governor Rope Tension Device

Related Documents

Document ID	Title
SPL 15-AAA29513A	Gen2 Counterweight System Limited Duty
SPL 15-AAA29513B	Gen2 Counterweight System
SPL 15-AAA29513C	Gen2 Counterweight System
SPL 11-AAA712P/Q	Ropes, Shackles, Springs
SPL 15-TAA20641J	CMG Car Mounted Governor

Subject Matter Expert

Name	Department
Juan Murillo	OSC Service Engineering

About Spare Parts Leaflets...

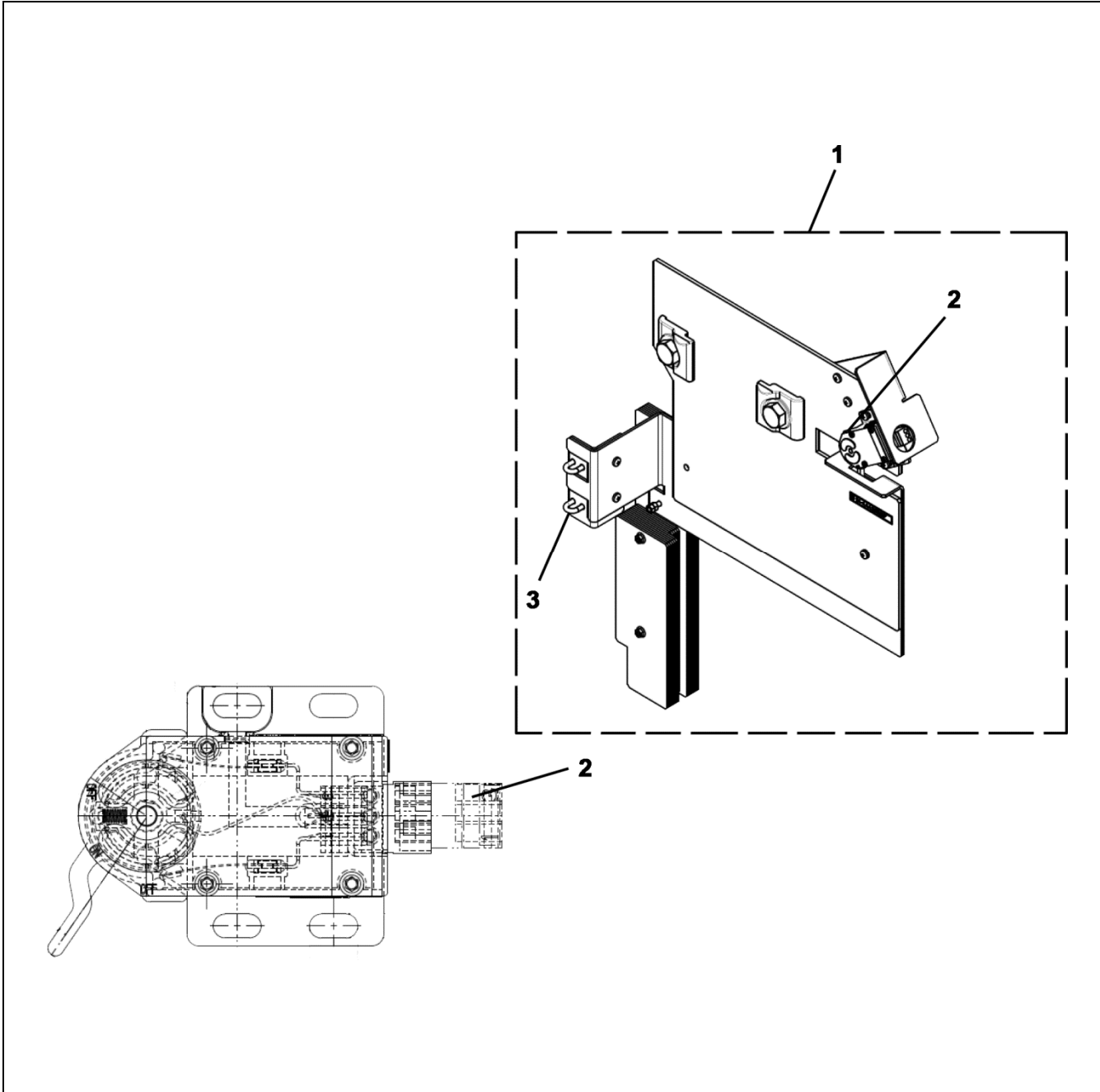
This document lists the lowest replaceable units (LRUs) for the standard version of the product. The LRUs are chosen by a team of Otis associates representing engineering and manufacturing.

While goal of this document is to make parts identification as easy as possible, the document cannot be all-inclusive. Elevator and escalator contracts classified as "special" or "custom" are not addressed here. For such contracts, please refer to specified information, the contract folder, TIPs, Field Education Articles, Construction Letters, etc. for further information.

If you have any suggestions about this document, please contact the subject matter expert listed on this page.

Governor Rope Tension Device

15-AAA29513F



AAA29513F		
Ref. No.	Part No.	DESCRIPTION
1	AAA22700Z1	Assembly, Governor Rope Tension Device (opposite of shown)
	AAA22700Z2	Assembly, Governor Rope Tension Device (as shown)
2	TAA177AH2	Switch, Governor Rope Tension, for p/n AAA22700Z1 (opposite of shown)
	TAA177AH1	Switch, Governor Rope Tension, for p/n AAA22700Z2 (as shown)
3	AAA65KZ1	U-Bolt, Governor Rope Clamp (Kit Contains 1 U-bolt, 2 Nuts)