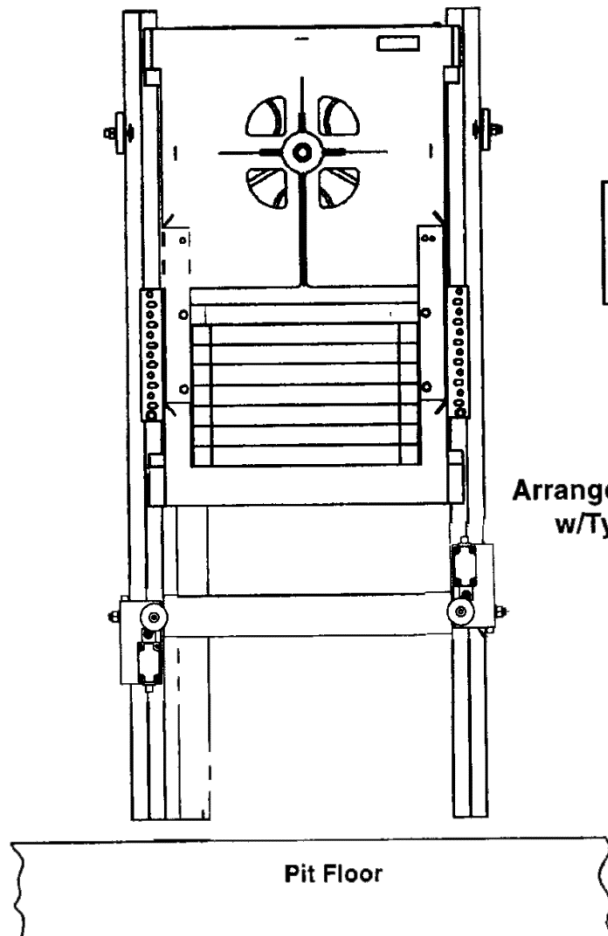


**Counterweight
Governor Rope
Tightener**

**Spare Parts Leaflet
15-AAA6481AG**

June 18, 2014 / Page 1 of 3



**W/O
VINTAGE**

Arrangements AAA6481AG5, 6, 7
w/Type 6481AD2 Tightener
Shown

OTIS

**SERVICE ENGINEERING
Otis Elevator Company
Bloomfield, Connecticut USA**

Unpublished Work—© Otis Elevator Co.; 2014

Leaflet Description

This former pointer SPL lists LRUs for the three general AAA6481AG counterweight governor rope tension frame arrangements. This frame was used with 7063A, 7063E, and 7063F governors.

Leaflet Revisions

Date Revised	Subject Matter Expert	Reason for Revision
October 1, 2000	Duane Stupinski	New pointer leaflet
March 15, 2002	Duane Stupinski	Added LRUs for counterweight governor rope tightener
June 18, 2014	Gary Mendrala	Updated switch on p. 3 from AAA6098NM3 to AAA22800T1

Related Drawings

Drawing No.	Title	Drawing No.	Title
AAA6481AG	Arrangements CWT Governor Rope Tightener		

Related Documents

Document ID	Title
SPL 15-6481AD	Type 6481AD Rope Tightener
SPL 15-6481T	6481T Governor Rope Tightener Assembly
SPL C-1094	Type 6481G and 6481P Governor Rope Tightener

Subject Matter Expert

Name	Department
Gary Mendrala	OSC Service Engineering

About Spare Parts Leaflets...

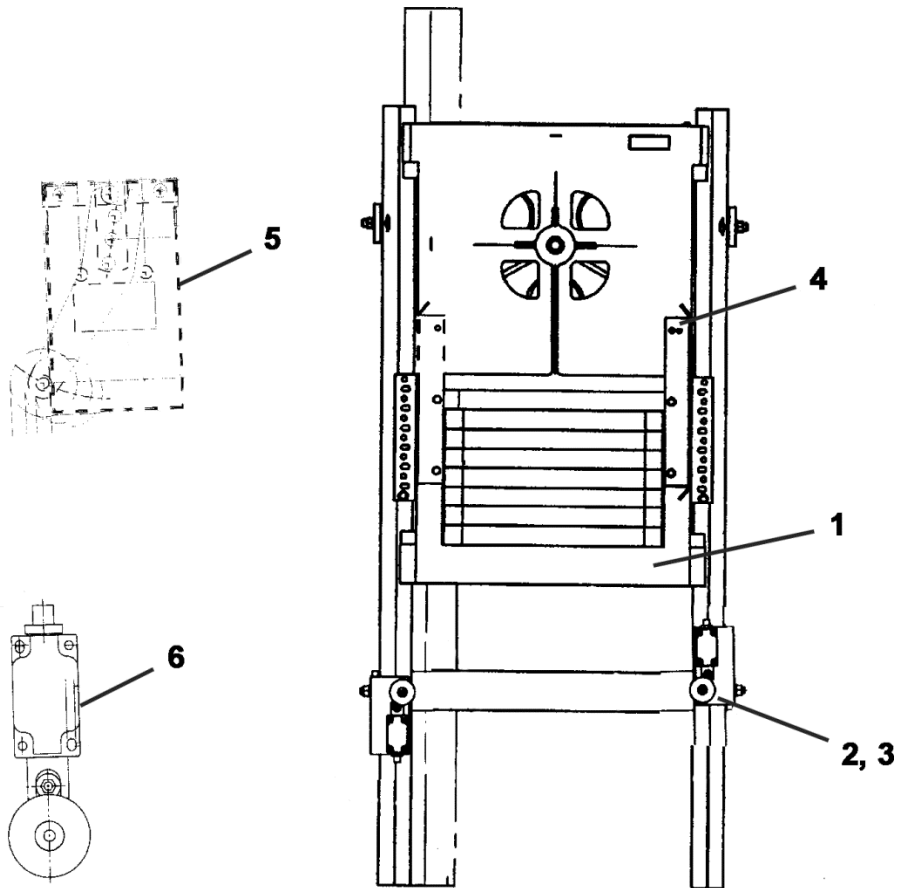
This document lists the lowest replaceable units (LRUs) for the standard version of the product. The LRUs are chosen by a team of Otis associates representing engineering and manufacturing.

While goal of this document is to make parts identification as easy as possible, the document cannot be all-inclusive. Elevator and escalator contracts classified as "special" or "custom" are not addressed here. For such contracts, please refer to specified information, the contract folder, TIPS, Field Education Articles, Construction Letters, etc. for further information.

If you have any suggestions about this document, please contact the subject matter expert listed on this page.

Arrangement CWT Tension Frame

15-AAA6481AG



Arrangements AAA6481AG5, 6, 7
w/Type 6481AD2 Tightener Shown

W/O VINTAGE		
REF. No.	PART No.	DESCRIPTION
1	6481AD2	Assembly, Tension Frame, Complete, w/o Weights, w/o Ratchet Frame
2	AAA283APX1	Bracket, for AAA6098NM3 Switch
3	AAA283APX2	Bracket, for AAA22800T1 Switch
4	AAA327NY1	Cam (Overall Length = 15 in.)
5	AAA6098NM3	Switch, Limit
6	AAA22800T1	Switch, Limit