

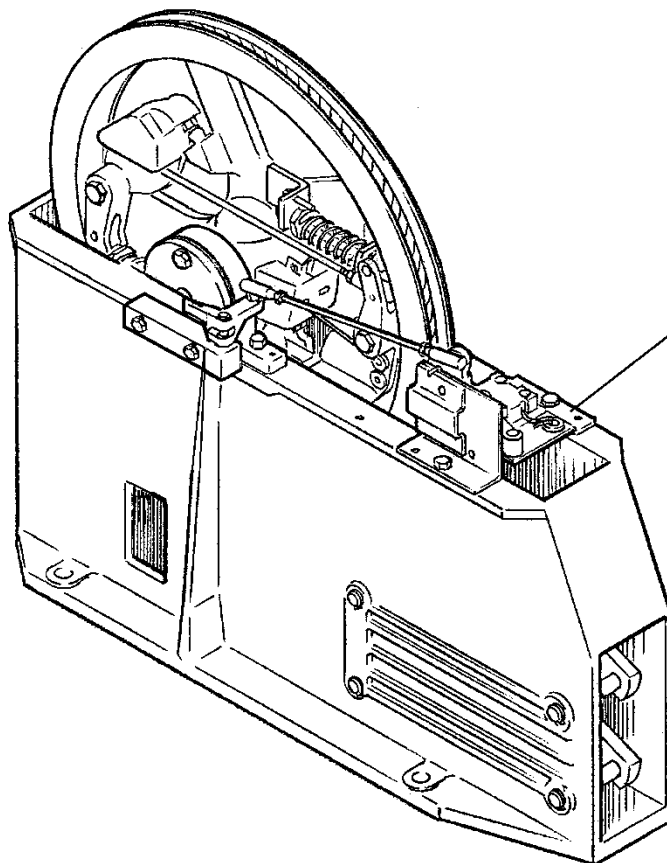
Type AAA7063AJ
Governor

w/ Position Reference System (PRS)

Spare Parts Leaflet

15-AAA7063AJ

March 2, 2016 / Page 1 of 14



R	15	AAA7063AJ
* VINTAGE *		

OTIS

SERVICE ENGINEERING
Otis Elevator Company
Bloomfield, Connecticut USA

Unpublished Work—© Otis Elevator Co.; 2016

Leaflet Description

This leaflet describes the AAA7063AJ governor for 3.5, 4, and 5 m/sec. applications. Most initial shipments are non-NAA applications. Initially, this governor was released with the Skyway System (formerly called "Titan" system). For governor tension frames, see SPL 15-6481AD and drawing A6481J. PRS refers to the Position Reference System, which is incorporated in this governor. The system also distinguishes this governor from the C7063E governor.

Leaflet Revisions

Date Revised	Subject Matter Expert	Reason for Revision
August 1998	Duane Stupienski	New SPL created separately from C-7063E leaflet
August 1, 1999	Duane Stupienski	Remove old supersede information from top of cover page; standardize vintage references.
March 2, 2016	Juan Murillo	Updated document template and history page

Related Drawings

Drawing No.	Drawing No.
AAA7063AJ	AAA22700AAA
6481AD	

Related Documents

Document ID	Title
SPL 15-6481AD	<i>Rope Tightener</i>
SPL 15-C7063E	<i>Type 7063E Governor</i>
SPL 15-AAA27076HA	<i>Type 7063E Governor Encoder Retrofit Kit</i>

Subject Matter Expert

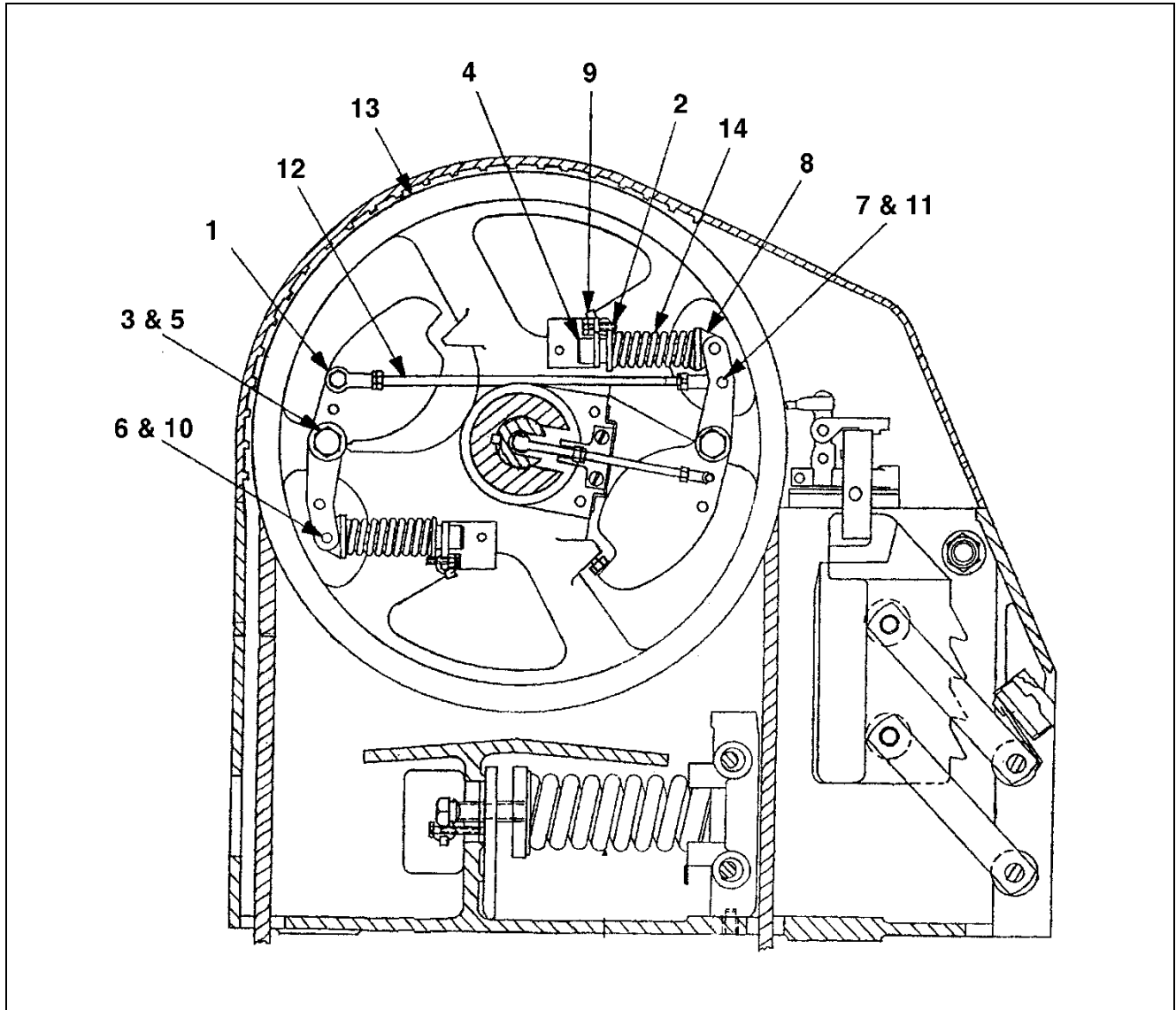
Name	Department
Juan Murillo	OSC Service Engineering


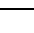
About Spare Parts Leaflets...

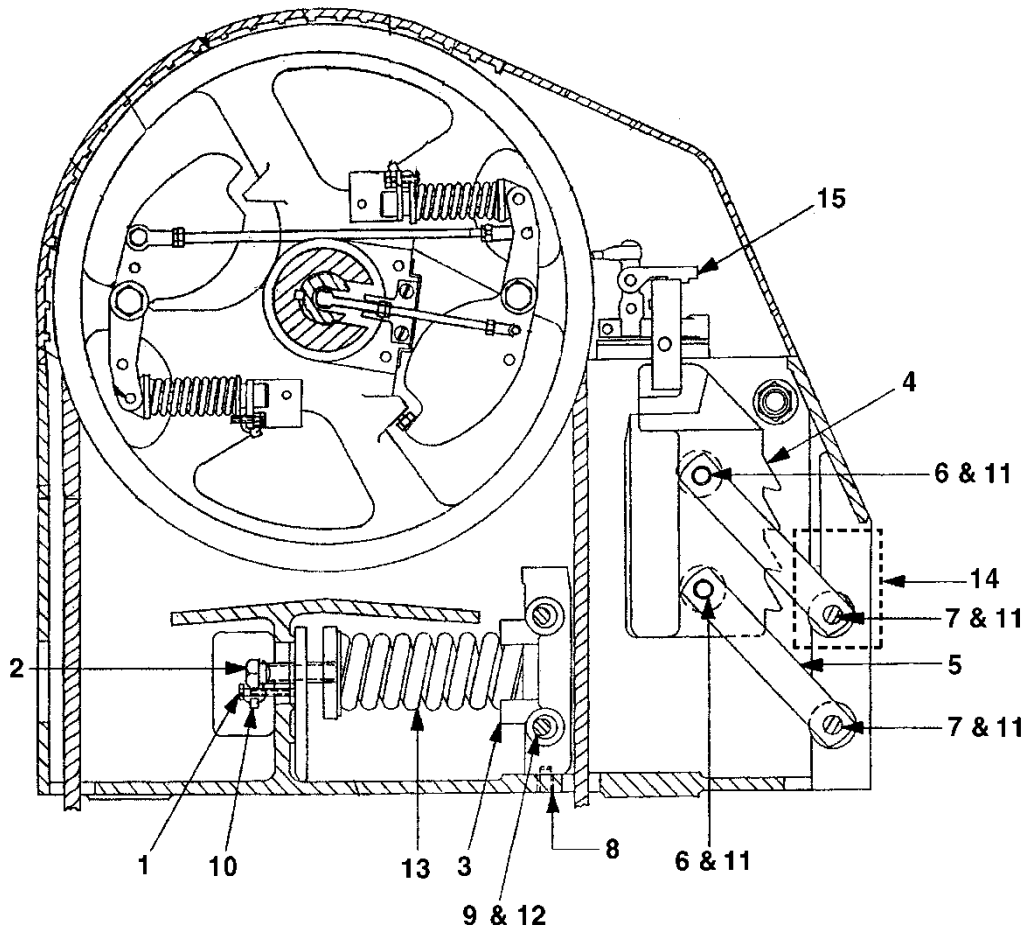
This document lists the lowest replaceable units (LRUs) for the standard version of the product. The LRUs are chosen by a team of Otis associates representing engineering and manufacturing.






While goal of this document is to make parts identification as easy as possible, the document cannot be all-inclusive. Elevator and escalator contracts classified as "special" or "custom" are not addressed here. For such contracts, please refer to specified information, the contract folder, TIPs, Field Education Articles, Construction Letters, etc. for further information.

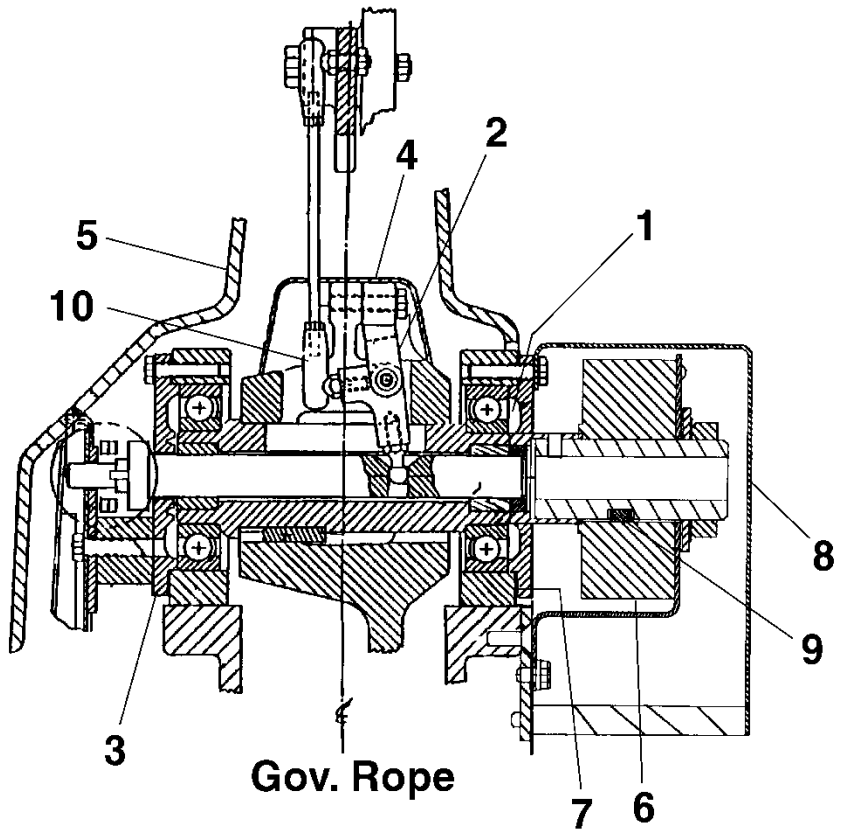
If you have any suggestions about this document, please contact the subject matter expert listed on this page.



AAA7063AJ		
REF. NO.	PART NUMBER	DESCRIPTION
1	212AA1	Bearing, Rod End
2	58AD45	Bolt, 1/4 in. x 1 in.
3	59BL2	Bolt, Shouldered, 1/2 in.
4	65DD1	Bolt, Special
5	335AB2	Bushing, Flyweight (2 per Weight)
6	77JP5	Pin, Weight Spring Pivot
7	77JP13	Pin, Weight Rod
8	79BN1	Pin, Shouldered, for Weight Spring
9	102FG1	Plate, Data Seal
10	172DE20	Ring, Retaining
11	172DE25	Ring, Retaining
12	96H197	Rod, Weight Connecting (1/4-28 Threads) 11.2 in. L
13	---	Sheave  P. 8, Sheave & Shaft Assemblies
14	---	Spring, Compression, for Weights ( P. 7)

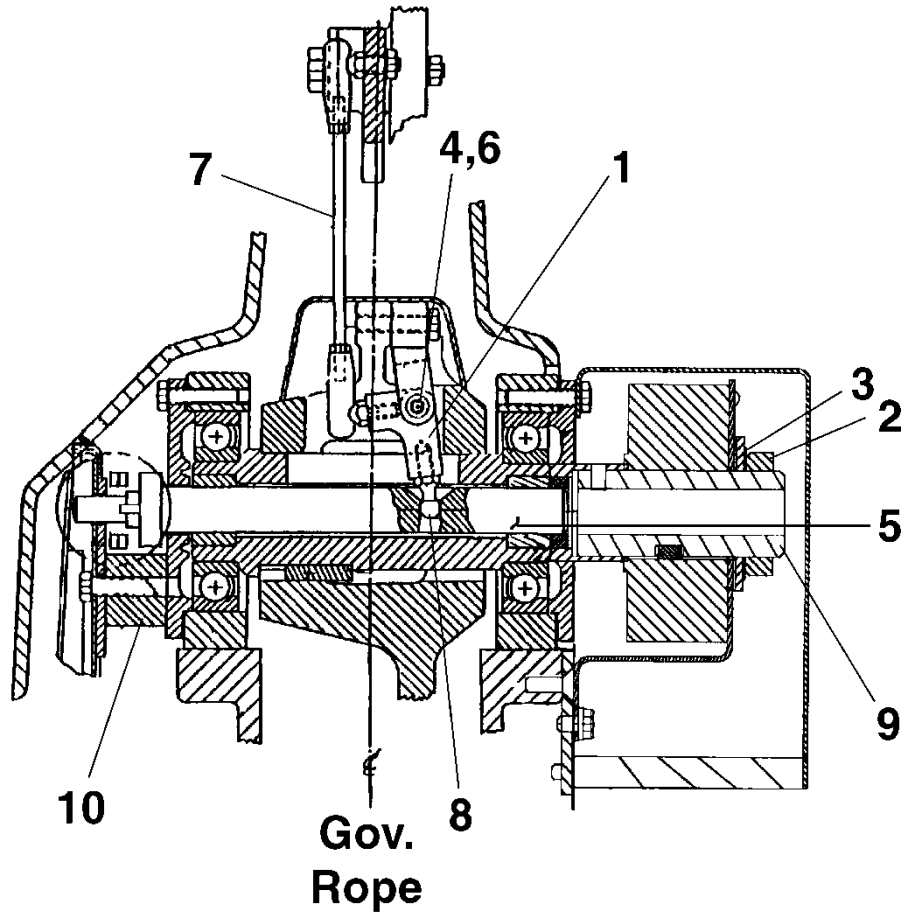



AAA7063AJ		
REF. NO.	PART NUMBER	DESCRIPTION
1	58AD57	Bolt, 1/4 in. x 2 in.
2	58AD61	Bolt, 5/8 in.
3	---	Jaw, Stationary  P. 9
4	---	Jaw, Movable  P. 9
5	430DH1	Link, Movable Jaw
6	77JP9	Pin, Movable Jaw/Link Interface
7	77JP10	Pin, Jaw Link to Stand Connection (for CEN Code Applications,  P. 12)
8	81AX19	Pin, Roll, for Stationary Jaw Locator to Base
9	77JP12	Pin, Stationary Jaw
10	102FG1	Plate, Data Seal
	CAA102K1	Test Tag, Self-Debossing Aluminum
	CAA102K2	Test Tag, Self-Debossing Aluminum, w/102FG1 Seal
11	172DE9	Ring, Retaining, for Links on Movable Jaw
12	172DE23	Ring, Retaining, for Stationary Jaw
13	90HD12	Spring, Compression, for Stationary Jaw
14	---	Switch, Jaw CEN Code  P. 12
15	---	Switch, Tripper  P. 11



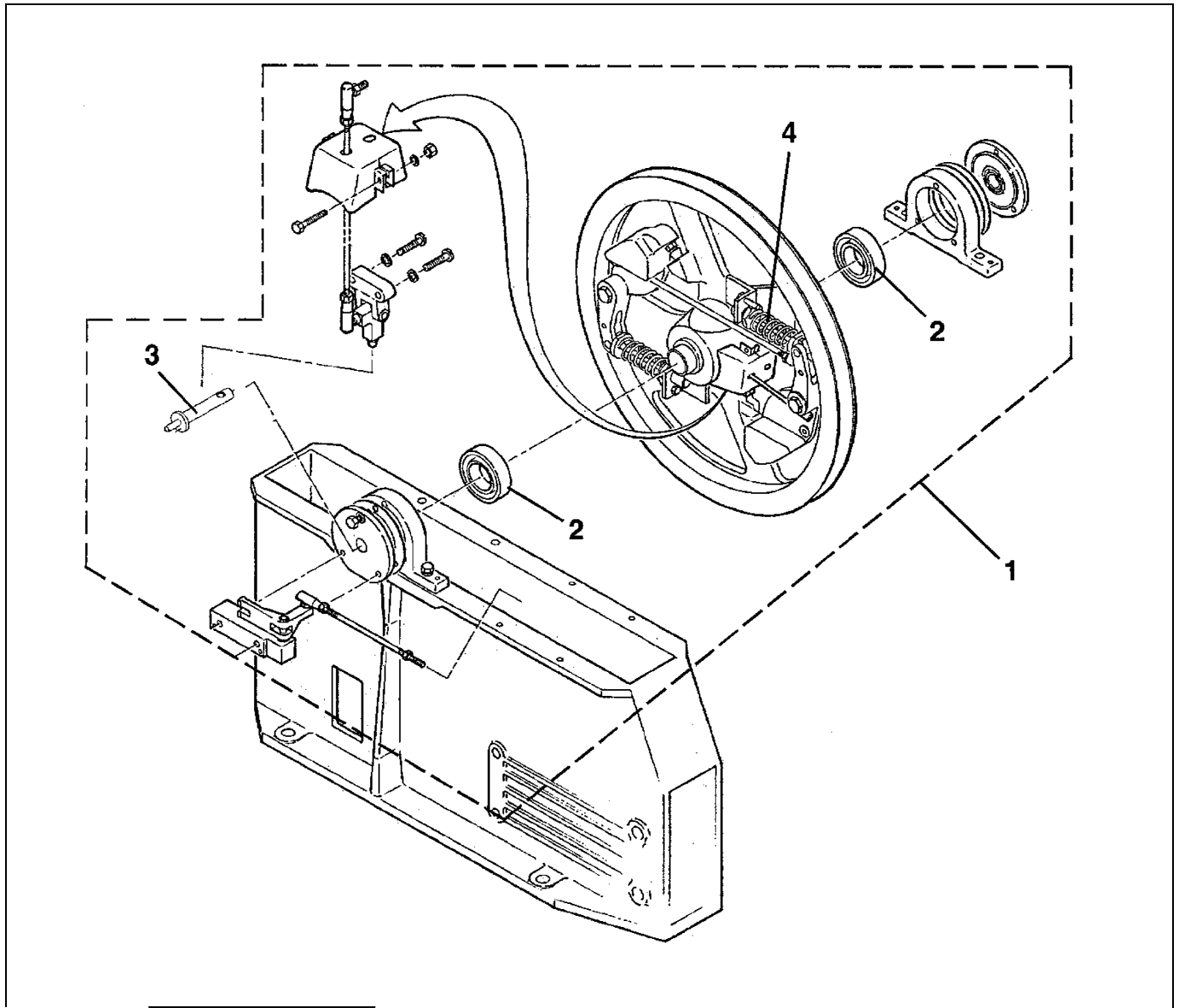
REF. NO.	PART NUMBER	DESCRIPTION
	AAA7063AJ	
1	207Z21	Bearing, Ball
2	316CGH1	Bracket, Linkage
3	346AFN2	Cover, Bearing
	AAA346XE1	Cover, Bearing, Encoder Side Only (for Governors w/ Encoders Only)
4	346AFT1	Cover, Plastic
5	346AHC1	Cover, Top, Aluminum
6	AAA633N1	Encoder
7	376EJ1	Gasket
8	AAA384AEV4	Guard, Encoder
9	AAA192AK1	Key, Shaft
10	307AY1	Lever, Swivel, for Weight Linkage

(Continued on Next Page)



AAA7063AJ		
REF. NO.	PART NUMBER	DESCRIPTION
1	307AX1	Linkage, Bell Crank
2	72FJ3	Locknut
3	130AT3	Lockwasher, Tab
4	77JP18	Pin, Bell Crank
5	445BT8	Plunger
6	172DE26	Ring, Retaining, for Bell Crank
7	96H198	Rod, Bell Crank/Weight Linkage (10-32) 4 in. L
8	124BS1	Screw, Ball, for Plunger Engagement (10-32)
9	---	Shaft, for Governors w/PRS (Shown),  P. 8
10	462FX2	Spacer, for Auxiliary Switch

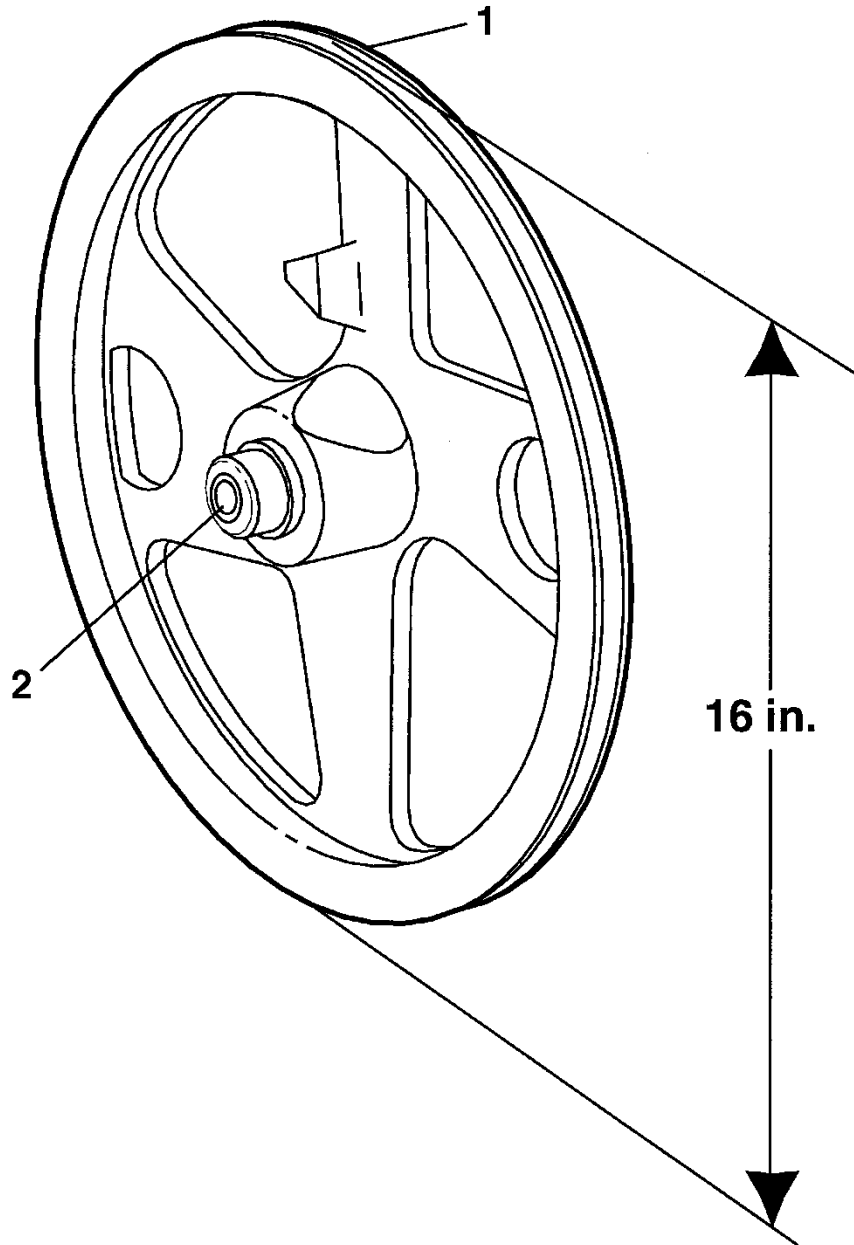
Sheave Assembly



REF. NO.	PART NUMBER	DESCRIPTION NH ASSEMBLIES	APPLICATION	CAR SPEED
	AAA7063AJ			
1	AAA7063AQ37	Assembly, Sheave, Governor, for Shaft w/o Encoder Mounting	CWT	3.5 M/S
	AAA7063AQ38			4 M/S
	AAA7063AQ39			5 M/S
	AAA7063AQ40	Assembly, Sheave, Governor, for Shaft w/ Encoder Mounting	Car	3.5 M/S
	AAA7063AQ41			4 M/S
	AAA7063AQ42			5 M/S
2	207Z21	Bearing		
3	445BT8	Plunger		
4	90YB3	Spring		3.5 M/S
	90BT1		4 M/S	
	90BC11		5 M/S	

15-AAA7063AJ

Type AAA5063AJ Governor Sheave & Shaft Assembly

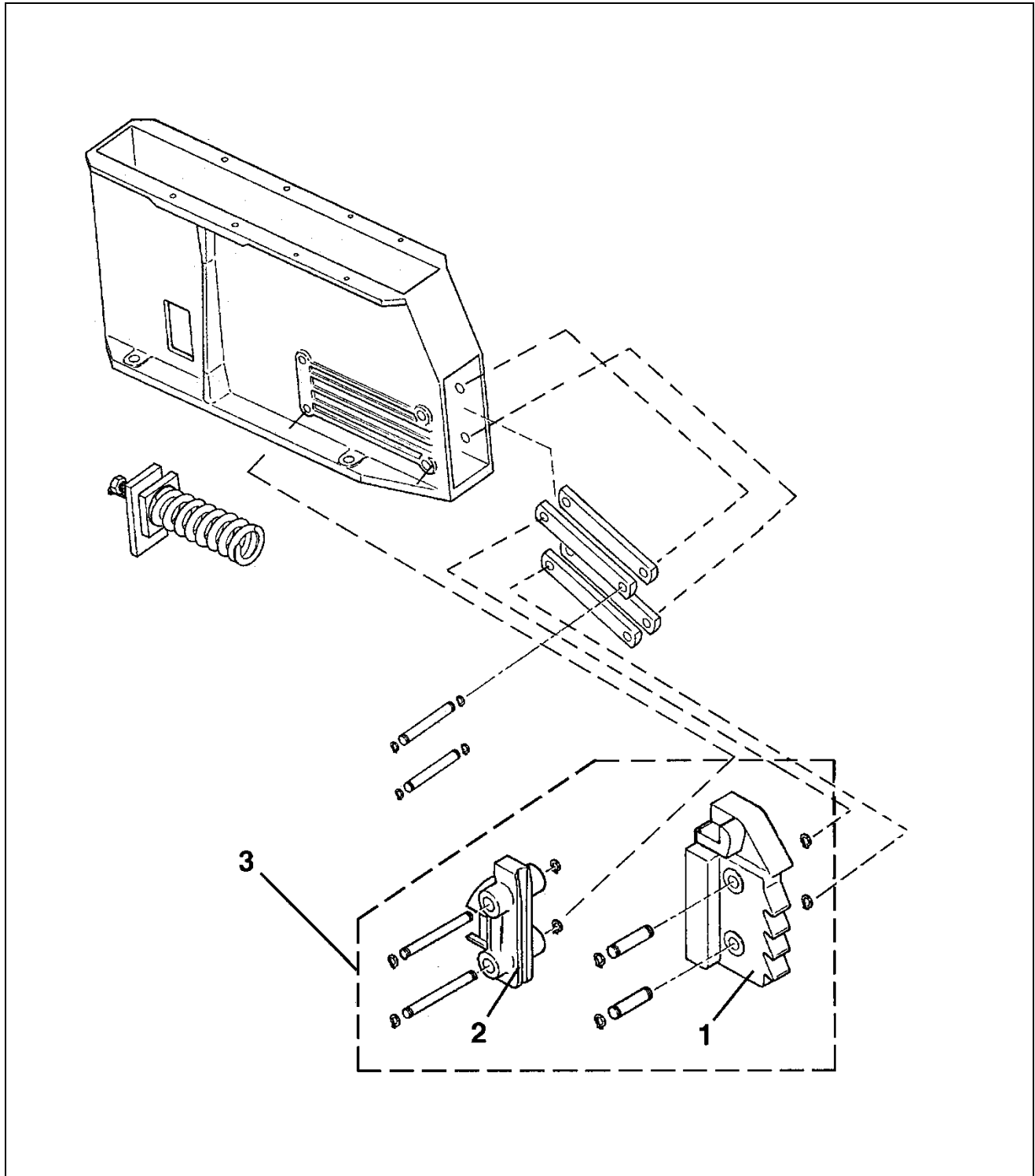


AAA7063AJ		PART NUMBER	
REF. NO.	CAR	CWT	DESCRIPTION
1	---	AAA7063AQ998	Assembly, Sheave & Shaft (w/o Encoder Application)
	AAA7063AQ997	---	Assembly, Sheave & Shaft (w/Encoder Application)
2	---	495CJ1	* Shaft with 5/8 in. \odot Bushings (w/o PRS)
	AAA495EE1		* Shaft for Assembly w/ Encoder (w/PRS)

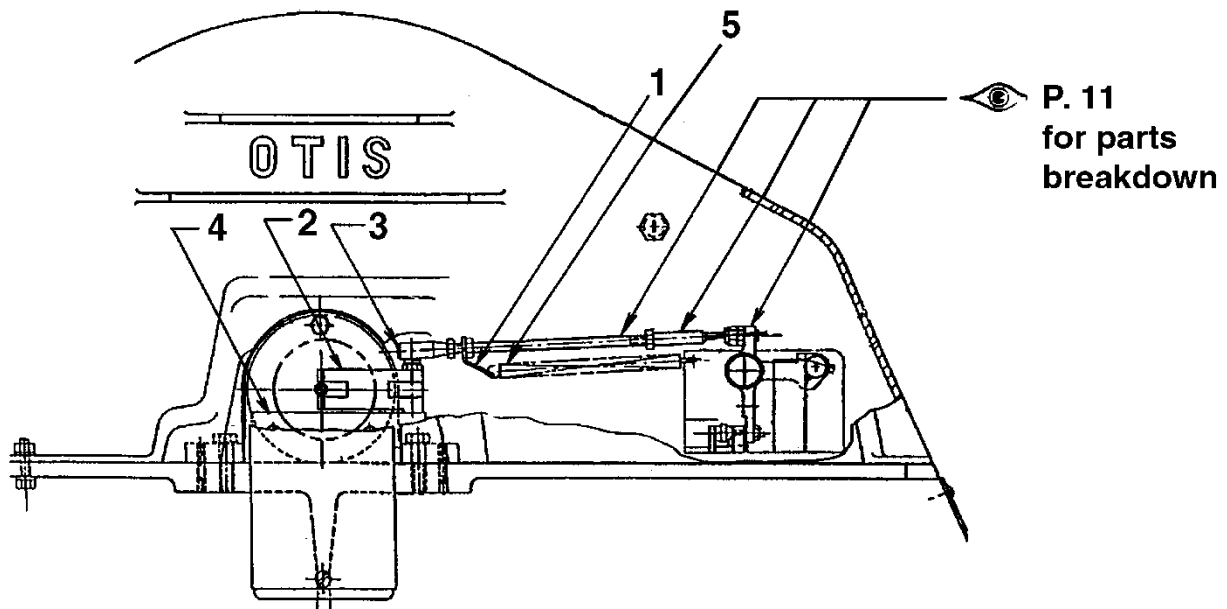
*** Must be pressfit by field personnel.**

Rope Clamp

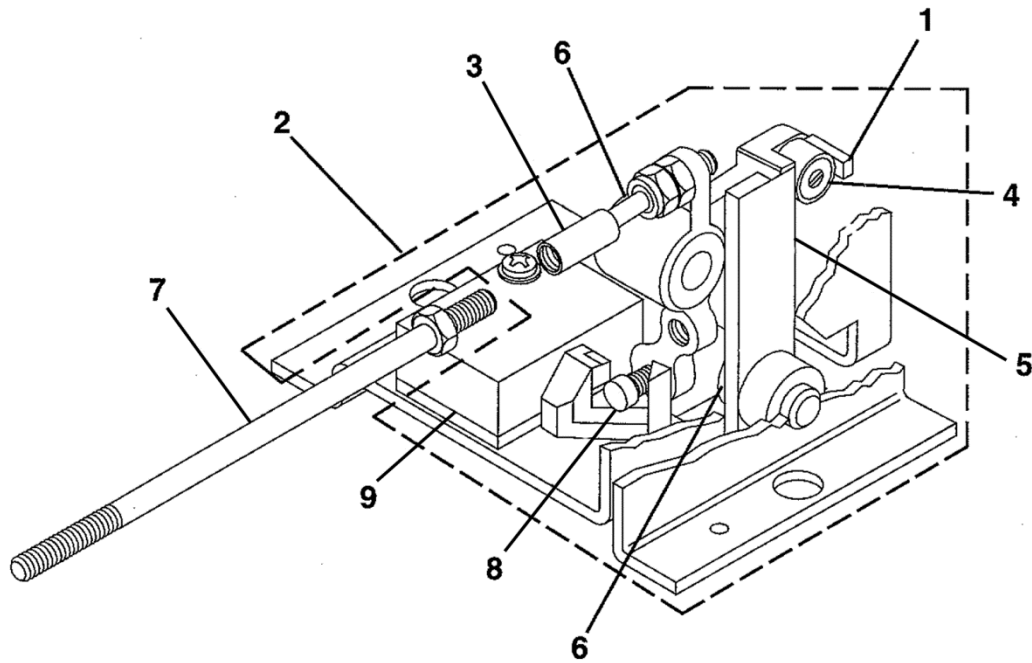
15-AAA7063AJ



REF. NO.	AAA7063AJ PART NUMBER	DESCRIPTION
1	398AJ3	Jaw, Movable
2	A398AD2	Jaw, Stationary
3	AAA7063AP1	Kit, Rope Clamp, Jaws & Pins

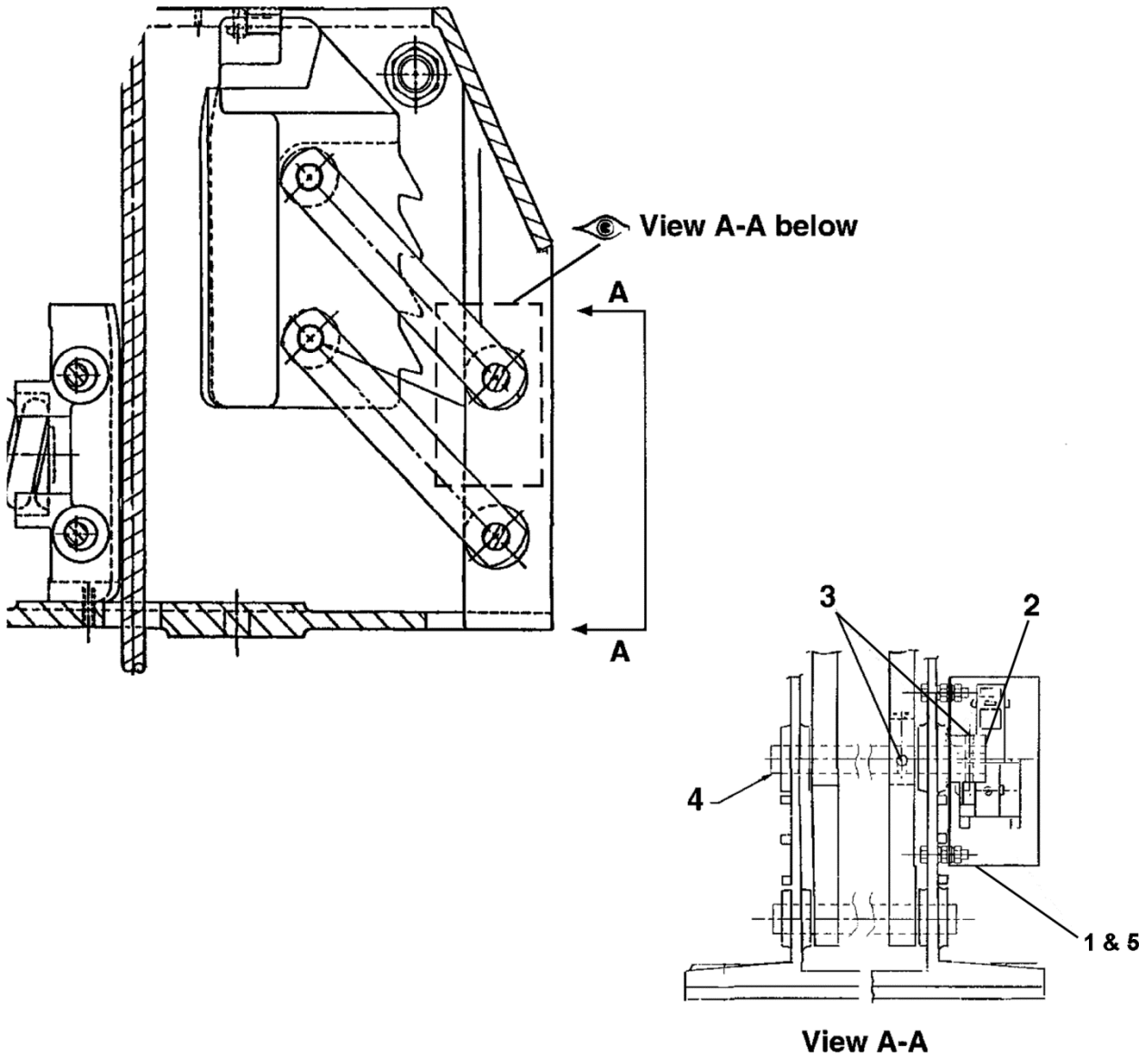


REF. NO.	AAA7063AJ PART NUMBER	DESCRIPTION
1	AAA149AQ1	Anchor, Spring
2	307BC1	Bell Crank, Forked
3	307AY2	Lever, Swivel
4	462FX2	Spacer Block
5	AAA91AT1	Spring, Extension

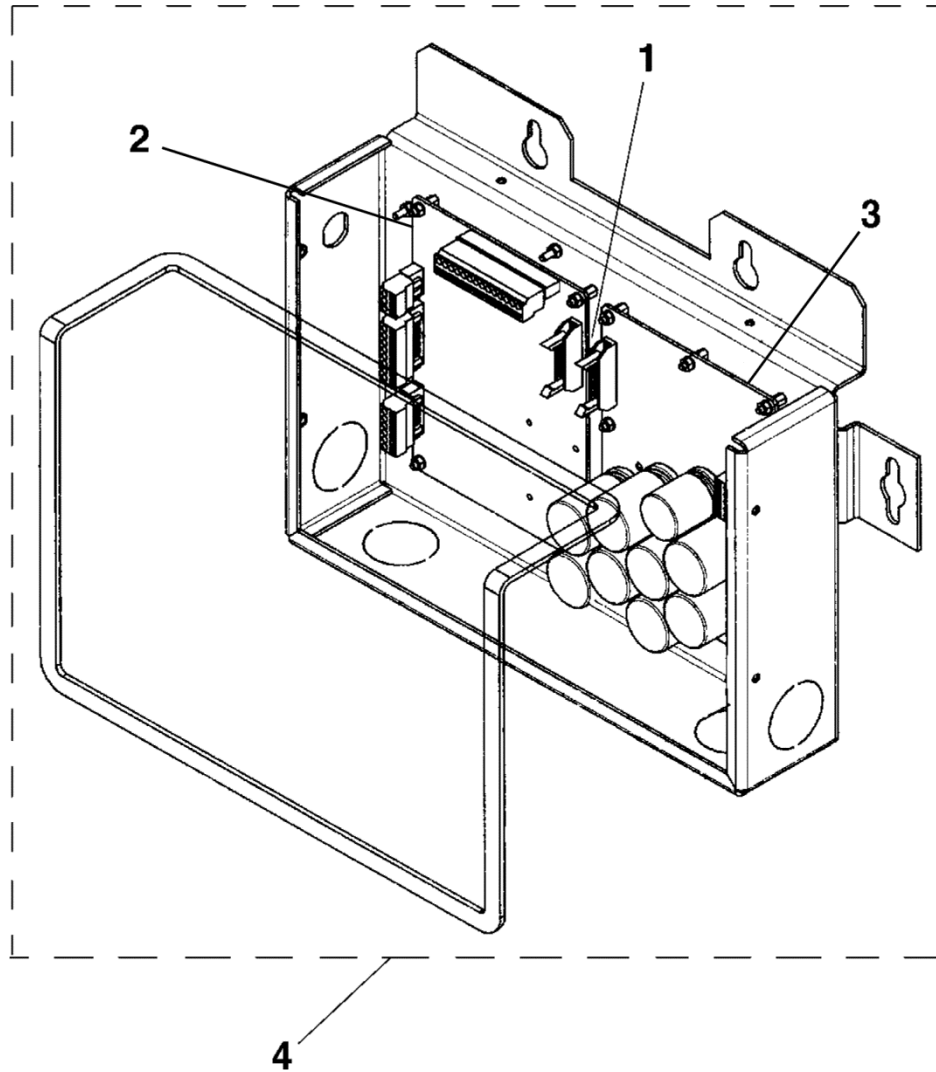


REF. NO.	AAA7063AJ PART NUMBER	DESCRIPTION
1	288PW1	Arm, Tripper
2	7063BB1	Assembly, Tripper
3	AAA708A1	Ball Joint
4	207BM1	Bearing, Roller
5	288PV1	Lever
6*	172DE20	Ring, Retaining
7	96CJ33	Rod, Threaded
8	65FD1	Screw, 10-32 Trip Switch
9	7035A106	Switch, Single-Making

* Part not shown. For location only.



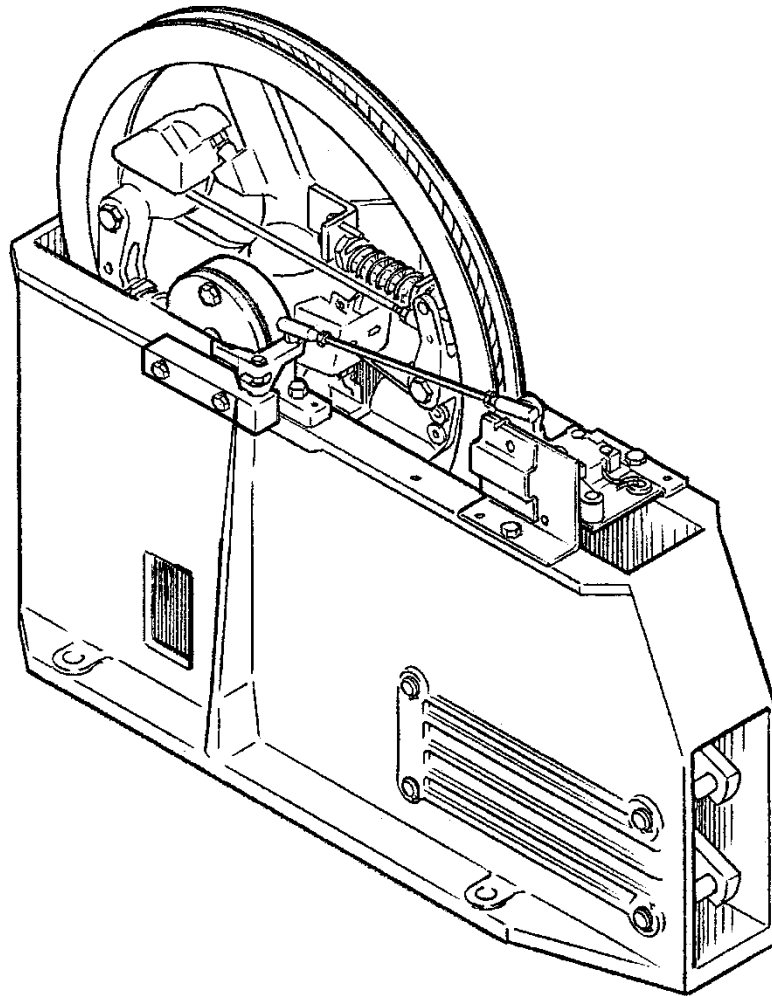
REF. NO.	PART NUMBER	DESCRIPTION
1	F0174SR8	Cable, CEN Code (Not Shown)
2	AAA288ABB1	Lever
3	81AX7	Pin, Roll
4	AAA81JV1	Pin, Extended, CEN Code
5	K0177AA4	Switch, CEN Code



REF. NO.	AAA7063AJ PART NUMBER	DESCRIPTION
1	AAA234AF11	Coil, Ribbon Cable (not shown)
2	AAA26800WG1	PC Board, Electronic, Processor
3	AAA26800WH1	PC Board, Electronic, Power Supply
4	AAA21430Q1	System, Position Reference

15-AAA7063AJ

Type AAA7063AJ Governor
 Assembly—Complete



PART NUMBER	CAR SPEEDS (in M/S)	DESCRIPTION—COMPLETE GOVERNORS
AAA7063AJ996-3.5M/S	3.5 M/S	Complete Counterweight Governor, w/o Encoder, w/o PRS, for CEN Applications
AAA7063AJ996-4.0M/S	4.0 M/S	
AAA7063AJ996-5.0M/S	5.0 M/S	
AAA7063AJ997-3.5M/S	3.5 M/S	Complete Car Governor, w/Encoder, w/PRS, for CEN Applications
AAA7063AJ997-4.0M/S	4.0 M/S	
AAA7063AJ997-5.0M/S	5.0 M/S	
AAA7063AJ998-3.5M/S	3.5 M/S	Complete Counterweight Governor, w/o Encoder, w/o PRS, for Standard (NAA) Applications
AAA7063AJ998-4.0M/S	4.0 M/S	
AAA7063AJ998-5.0M/S	5.0 M/S	
AAA7063AJ999-3.5M/S	3.5 M/S	Complete Car Governor, w/Encoder, w/PRS, for Standard (NAA) Applications
AAA7063AJ999-4.0M/S	4.0 M/S	
AAA7063AJ999-5.0M/S	5.0 M/S	