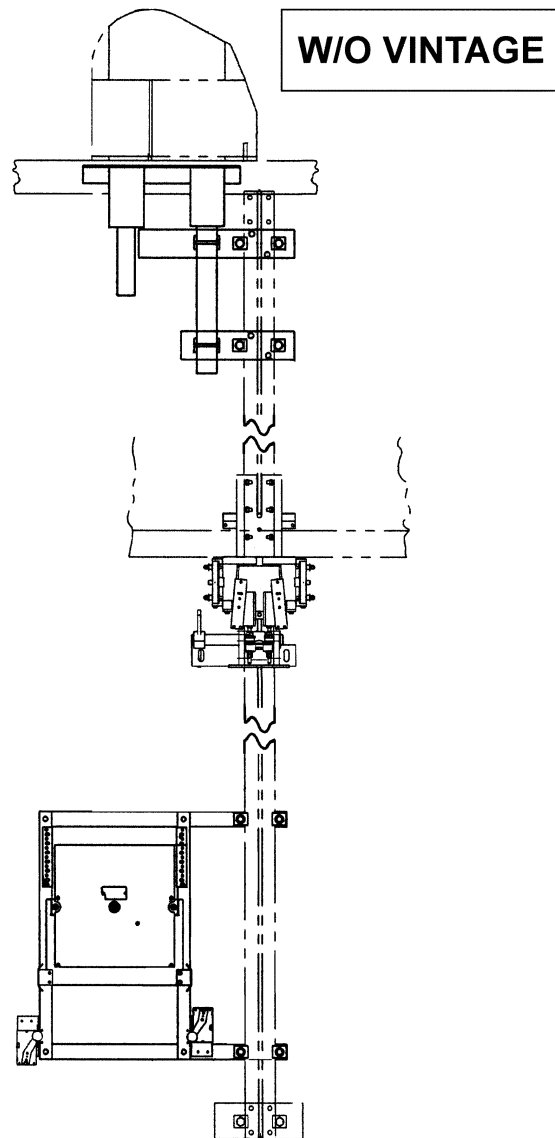


Governor Rope System (E311)

Spare Parts Leaflet

15-AAA7600DY

July 28, 2005 / Page 1 of 4



Unpublished Work—© Otis Elevator Co.; 2005

OTIS

Safety First!

SERVICE ENGINEERING

Otis Elevator Company

Bloomfield, Connecticut USA

Leaflet Description

The AAA7600DY drawing titled "Arrangement Governor Rope System (E311)" was originally dated 1989-08-22. This leaflet provides spare part information for the AAA7600DY system.

Leaflet Revisions

Date Revised	Subject Matter Expert	Reason for Revision
July 28, 2005	Sean Mismas	New SPL
---	---	---

Related Drawings

Drawing No.	Title	Drawing No.	Title
AAA7600DY	Governor Rope System (E311)	---	---

Related Documents

Document ID	Title
SPL 15-6481T	Governor Rope Tightener Assembly, 6481T
SPL 15-C7063E	Governor Rope Tightener, Type 7063E
SPL C-1066A	Type A7063A & B7063A Governor
SPL 11-AAA712P	Wire Rope, Shackles and Springs

Subject Matter Expert

Name	Department
Sean Mismas	OSC Service Engineering

About Spare Parts Leaflets...

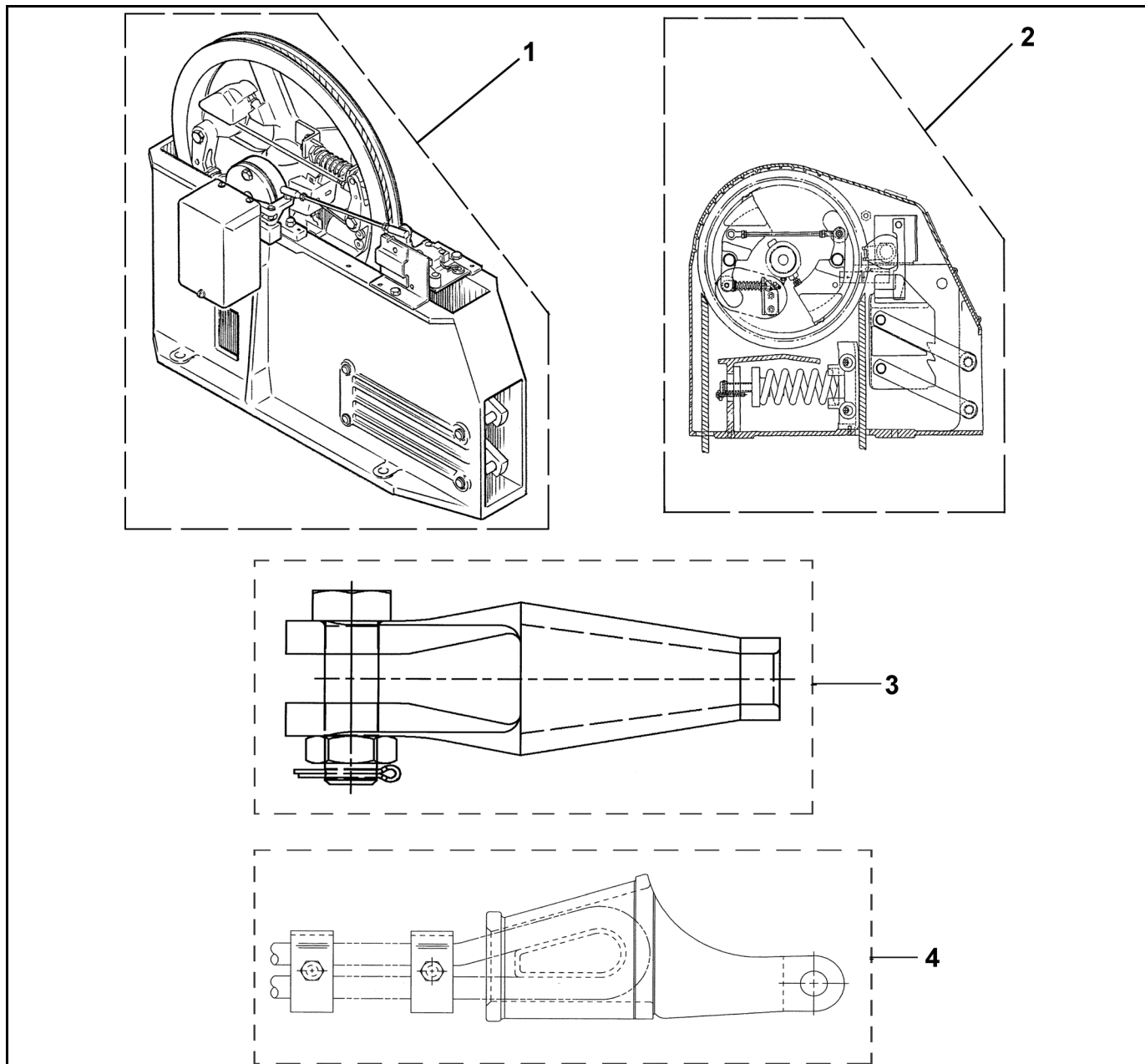
This document lists the lowest replaceable units (LRUs) for the standard version of the product. The LRUs are chosen by a team of Otis associates representing engineering and manufacturing.



While goal of this document is to make parts identification as easy as possible, the document cannot be all-inclusive. Elevator and escalator contracts classified as "special" or "custom" are not addressed here. For such contracts, please refer to specified information, the contract folder, TIPs, Field Education Articles, Construction Letters, etc. for further information.

If you have any suggestions about this document, please contact the subject matter expert listed on this page.

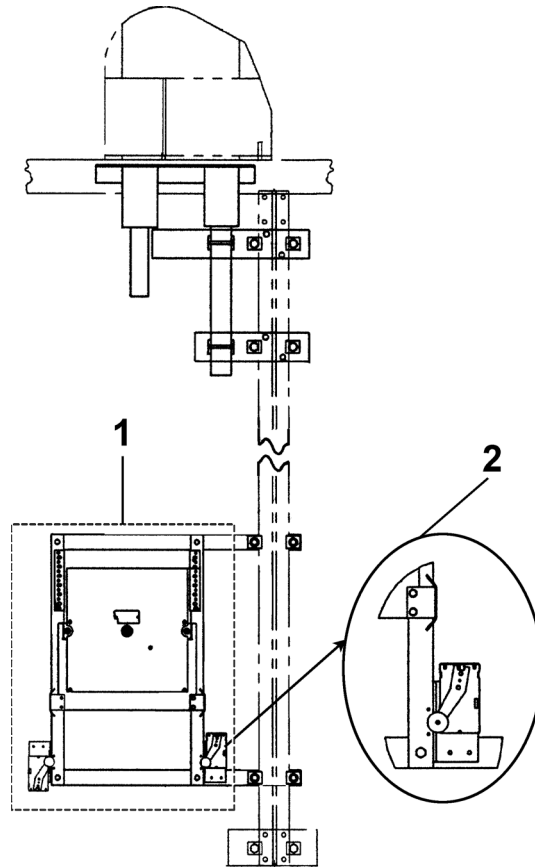
Governor and Rope Socket


15-AAA7600DY



W/O VINTAGE		
REF. No.	PART No.	DESCRIPTION
1	---	Governor, Type C7063E, Used with 16-inch Dia. Sheave,  SPL 15-C7063E
2	---	Governor, Type B7063A, Used with 12-inch Dia. Sheave,  SPL C-1066A
3	227C3	Socket, Babbitted, for 1/2 in. Diameter Governor Rope, Including Nut, Bolt, and Cotter pin
4	AAA227E8 AAA227E15	Socket, Wedge, for 1/2 in. Diameter Governor Rope, Including Nut, Bolt, Cotter Pin, Wedge, and Two Retaining Clips

NOTE: For wire rope information, refer to SPL 11-AAA712P.



W/O VINTAGE		
REF. No.	PART No.	DESCRIPTION
1	6481T2	Assembly, Tension Frame,  SPL 15-6481T
2	AAA6098NM1	Switch, Limit