

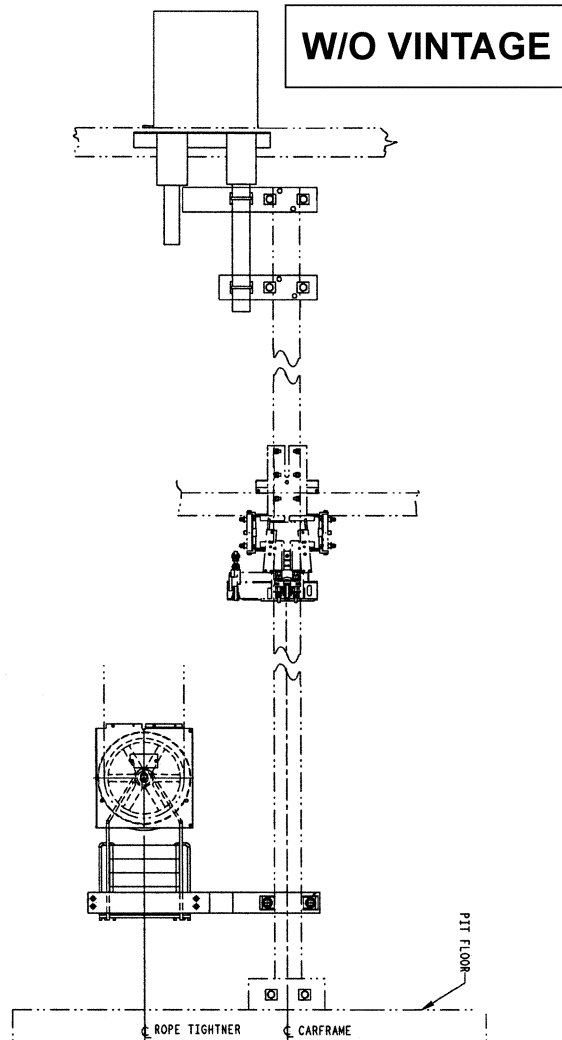
**Car Governor Rope
System: 9C/11C Car
Frame**

Spare Parts Leaflet

15-AAA7600EQ

May 5, 2005 / Page 1 of 6

Supersedes SPL 15-AAA7600EQ Dated January 1, 2001



Unpublished Work—© Otis Elevator Co.; 2005

OTIS

Safety First!

SERVICE ENGINEERING
Otis Elevator Company
Bloomfield, Connecticut USA

Leaflet Description

The AAA7600EQ drawing titled "Arrangement Car Governor Rope System 9C/11C Car Frame" was originally dated 2000-05-03. Having no vintage associated with this arrangement, it is safe to say that all car frame arrangements prior to late year 2000 would be from another arrangement type. Production for the AAA7600EQ arrangement would have been late year 2000, and field installation would be from 2001 and on. This leaflet provides spare parts for type AAA7600EQ Arrangements for the Car Governor Rope System 9C/11C Car Frame used on GEM, MVS, HVS system machines.

Leaflet Revisions

Date Revised	Subject Matter Expert	Reason for Revision
January 1, 2001	Duane Stupienski	New SPL
May 5, 2005	Sean Mismas	Call out specific parts

Related Drawings

Drawing No.	Title	Drawing No.	Title
AAA7600EQ	Arrangement: Car Governor Rope System 9C/11C Car Frame	---	---

Related Documents

Document ID	Title
SPL 15-TAA22700F	Governor Tension Device
SPL 15-A6481J	Governor Rope Tightener (Car)
SPL C-1094	Type 6481 Governor Rope Tighteners

Subject Matter Expert

Name	Department
Sean Mismas	OSC Service Engineering

About Spare Parts Leaflets...

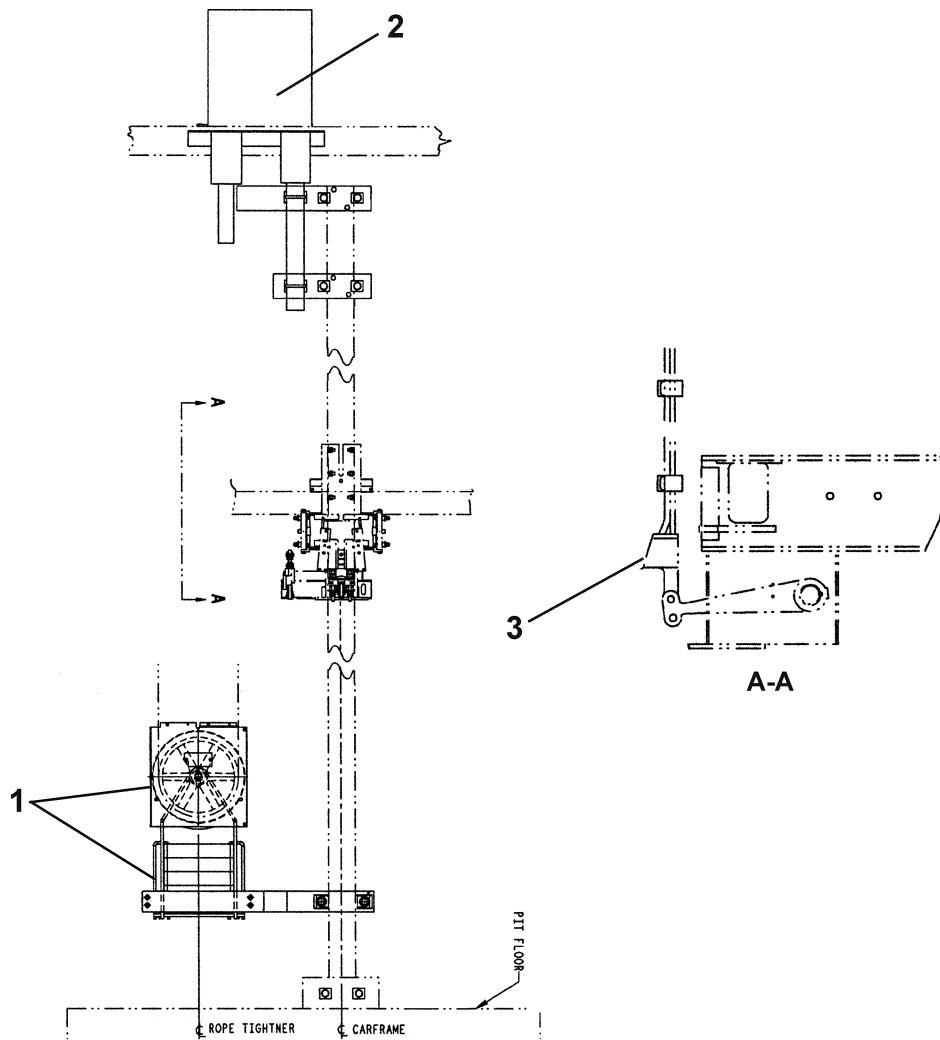
This document lists the lowest replaceable units (LRUs) for the standard version of the product. The LRUs are chosen by a team of Otis associates representing engineering and manufacturing.

While goal of this document is to make parts identification as easy as possible, the document cannot be all-inclusive. Elevator and escalator contracts classified as "special" or "custom" are not addressed here. For such contracts, please refer to specified information, the contract folder, TIPs, Field Education Articles, Construction Letters, etc. for further information.

If you have any suggestions about this document, please contact the subject matter expert listed on this page.

Table of Contents

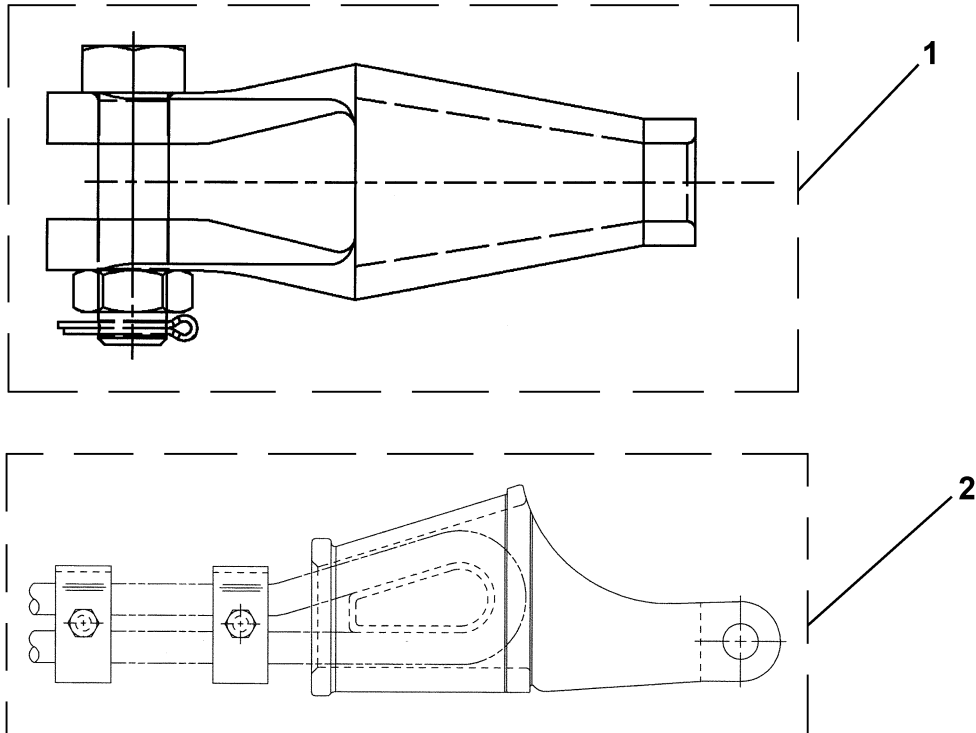
15-AAA7600EQ



REF. No.	PAGE No.	DESCRIPTION
1	6	Assembly, Tension Frame
2	5	Governor
3	4	Socket, Governor Rope

15-AAA7600EQ

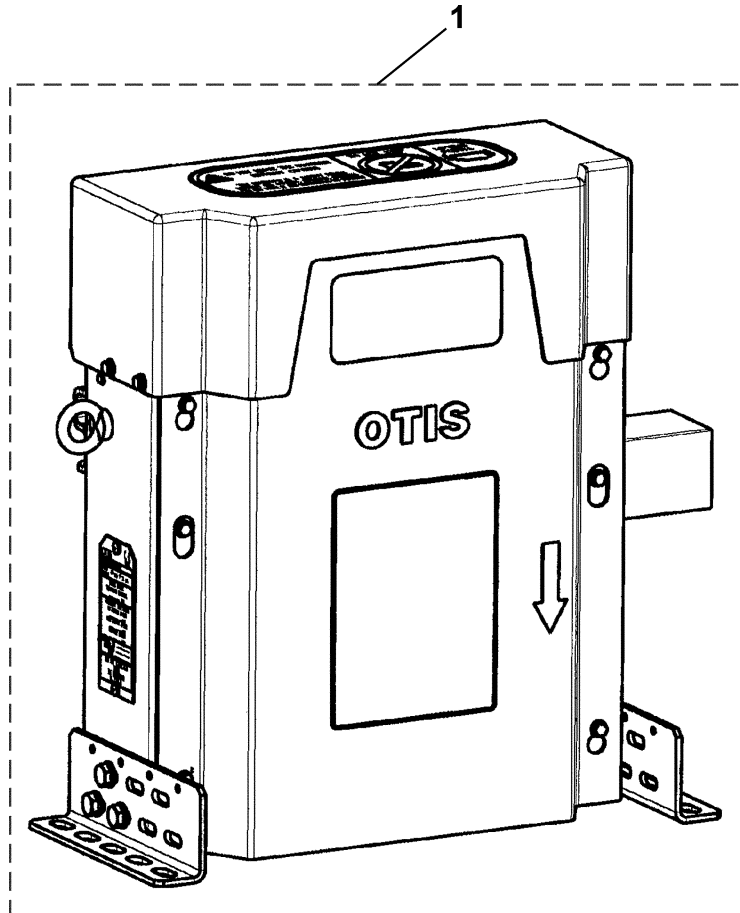
Governor Rope Socket




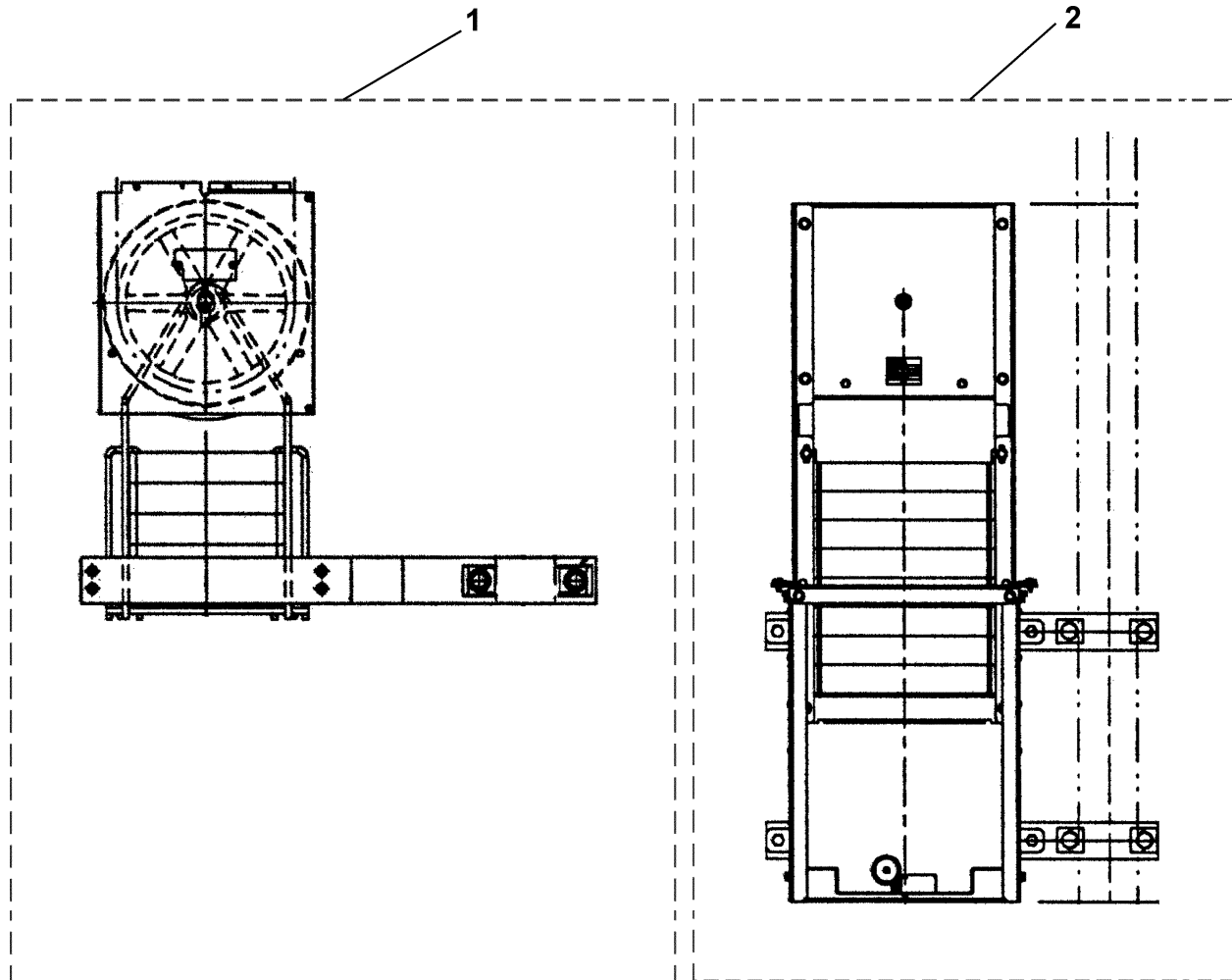
	W/O VINTAGE	
REF. No.	PART No.	DESCRIPTION
1	227C7	Socket, Babbitted, for 3/8 in. Diameter Governor Rope, Including Nut, Bolt, and Cotter Pin
2	AAA227E7 AAA227E14	Socket, Wedge, for 3/8 in. Diameter Governor Rope, Including Nut, Bolt, Cotter Pin, Wedge, and Two Retaining Clips



12 Inch Governor

15-AAA7600EQ



W/O VINTAGE		
REF. No.	PART No.	DESCRIPTION
1	---	Governor, 12 in., Type T**20602C, 3/8 in. (9.5 mm) Wire Rope, Max. Rise = 475 ft. (145 m), Max. Speed = 800 ft./MIN (4 m/Sec.),  SPL 15-TBA20602C



W/O VINTAGE		
REF. No.	PART No.	DESCRIPTION
1	A6481G2	Assembly, Tension Frame, Used with 12 in. Governor,  C-1094 for Detailed Parts Listing
2	TAA22700F20	Assembly, Tension Frame, Used with 12 in. Governor,  SPL 15-TAA22700F