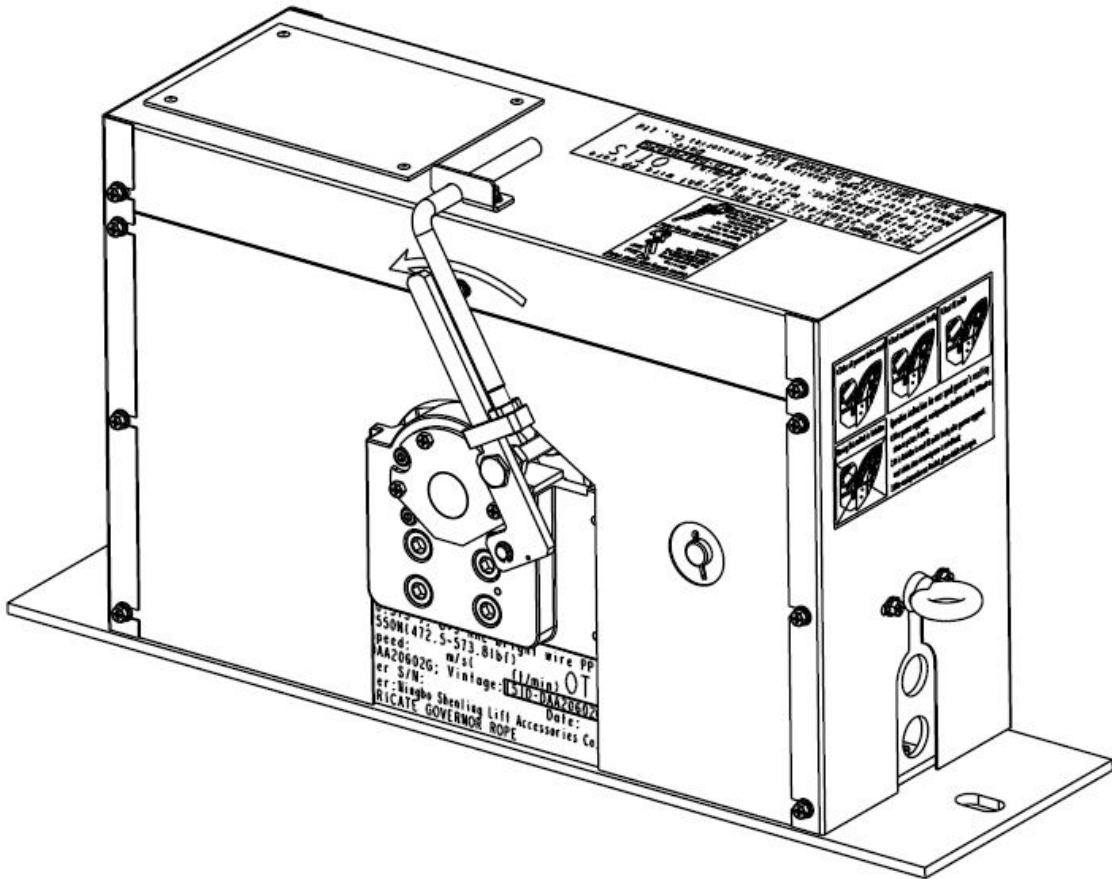


HSXMR A17.1 Governor

Spare Parts Leaflet

15-DAA20602G

April 9, 2019 / Page 1 of 9



Appearance for HSXMR A17.1 Governor
(Without Encoder)

Unpublished Work—© Otis Elevator Co.; 2019

OTIS

Safety First!

SERVICE ENGINEERING
Otis Elevator Company

Leaflet Description

This leaflet provides spare parts information for type DAA20602G governor assemblies. These governors are applicable to following contract speed: 1.78m/s~4.07m/s.

Leaflet Revisions

Date Revised	Subject Matter Expert	Reason for Revision
July 19, 2013	Shi Zhengbao (Leo)	New SPL
August 2, 2013	Shi Zhengbao (Leo)	Due to the content change of spare parts
November 7, 2013	Shi Zhengbao (Leo)	Remove OSU information
May 7, 2014	Shi Zhengbao (Leo)	Update the appearance of switch and bracket
December 15, 2015	Shi Zhengbao (Leo)	Add OS switch per field requirement
April 18, 2016	Jeff Cheng	Governor cover improvement
April 9, 2019	Shi Zhengbao (Leo)	Add encoder order information

Related Drawings

Drawing No.	Title	Drawing No.	Title
DAA20602G	Governor HSXMR A17.1 Assembly	---	---
---	---	---	---

Related Documents

Document ID	Title
DAA20602G_FIM	HSXMR A17.1 Machine room Governor Field Installation Manual
---	---

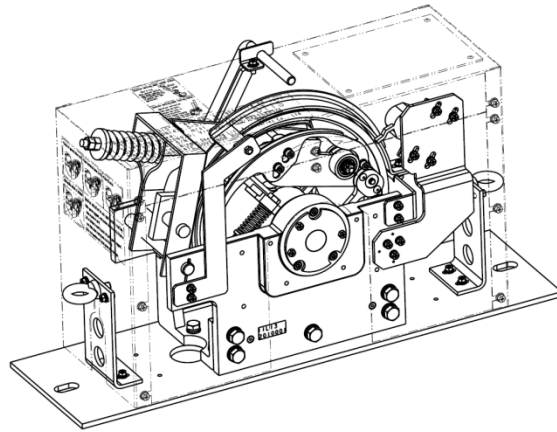
Subject Matter Expert

Name	Department
Shi Zhengbao (Leo)	CEC-SH&HR

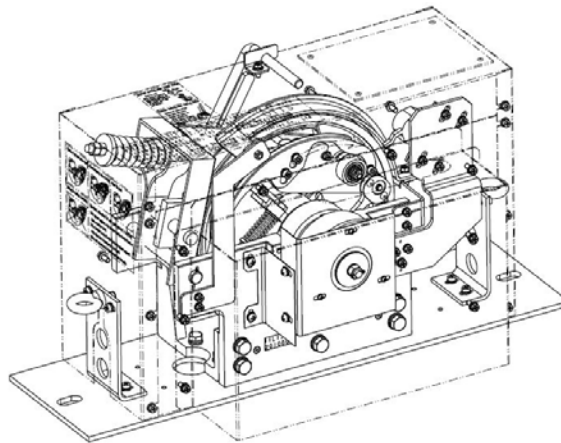
About Spare Parts Leaflets...

This document is to make parts identification as easy as possible, the document cannot be all-inclusive. Elevator and escalator contracts classified as “special” or “custom” are not addressed here. For such contracts, please refer to specified information, the contract folder, TIPS, Field Education Articles, Construction Letters, etc. for further information.

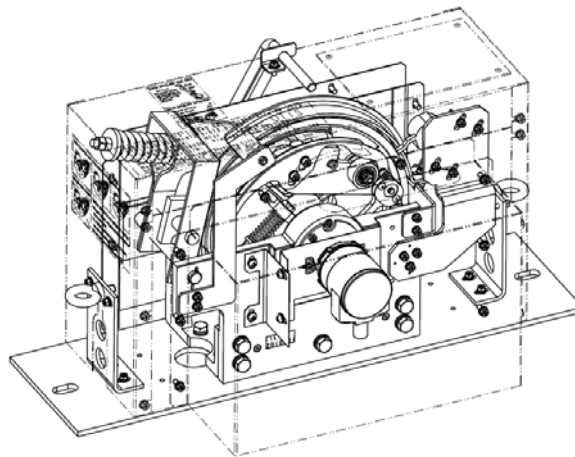
If you have any suggestions about this document, please contact the subject matter expert listed on this page.



Type □
(W/O Encoder)

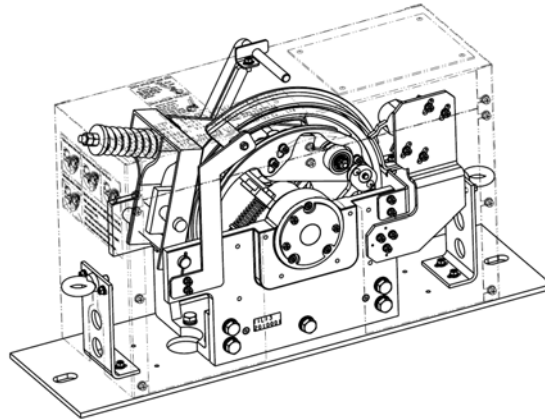


Type □
(W/ Encoder AAA633N_)



Type □
(W/ Encoder KAA633AAB_)

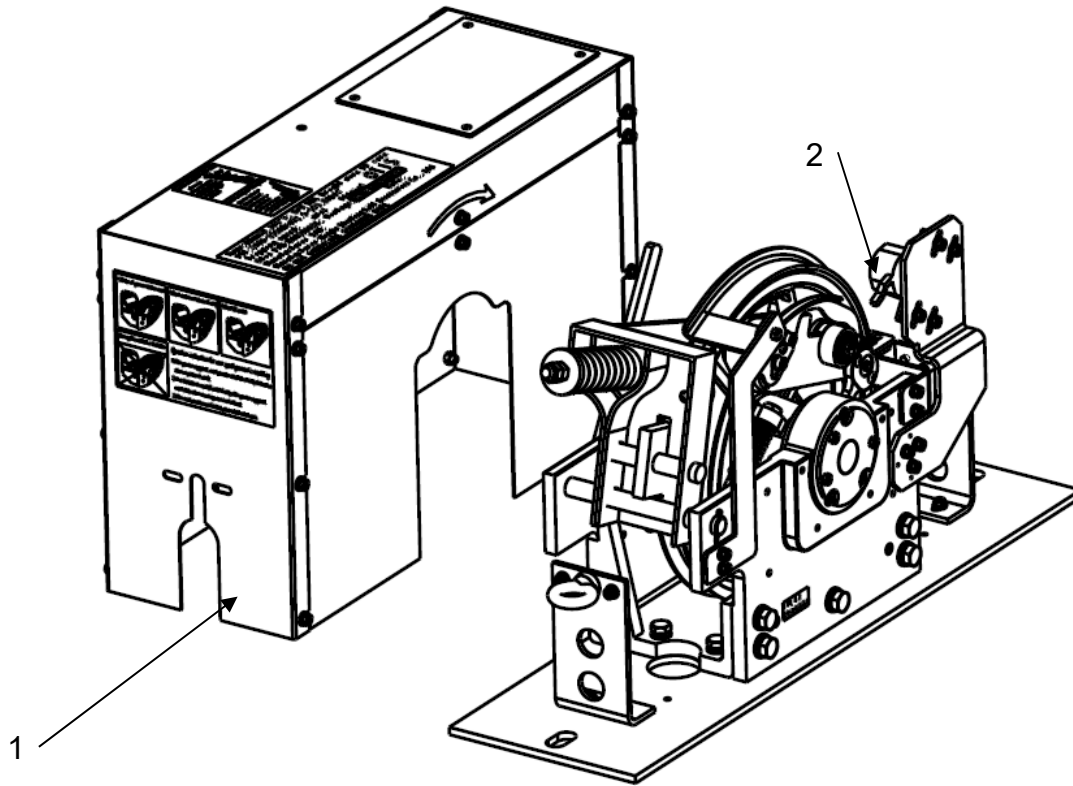
REF. No.	PAGE No.	PART NO.	RATED SPEED (M/S)
1	👁️ pp. 4~5	DAA20602G01~G14, G29~G34, G41~G54	1.75~4.07
2	👁️ pp. 6~7	DAA20602G15~G21, G35~G37, G55~G61	1.75~4.07
3	👁️ pp. 8~9	DAA20602G22~G28, G38~G40, G62~G68	1.75~4.07



Type □
(W/O Encoder)

REF. No.	W/O VINTAGE	PART No.	DESCRIPTION	CODE	RATED SPEED (M/S)
1		DAA20602G01/G41	CAR SIDE	ASME A17.1 2010	1.78
		DAA20602G02/G42	CWT SIDE		
		DAA20602G03/G43	CAR SIDE		2.03
		DAA20602G04/G44	CWT SIDE		
		DAA20602G05/G45	CAR SIDE		2.29
		DAA20602G06/G46	CWT SIDE		
		DAA20602G07/G47	CAR SIDE		2.54
		DAA20602G08/G48	CWT SIDE		
		DAA20602G09/G49	CAR SIDE		3.05
		DAA20602G10/G50	CWT SIDE		
		DAA20602G11/G51	CAR SIDE		3.56
		DAA20602G12/G52	CWT SIDE		
		DAA20602G13/G53	CAR SIDE		4.07
		DAA20602G14/G54	CWT SIDE		
		DAA20602G29	CAR SIDE	JIS	1.75
		DAA20602G30	CWT SIDE		
		DAA20602G31	CAR SIDE		2.00
		DAA20602G32	CWT SIDE		
		DAA20602G33	CAR SIDE		2.50
		DAA20602G34	CWT SIDE		

(Continued on next page)



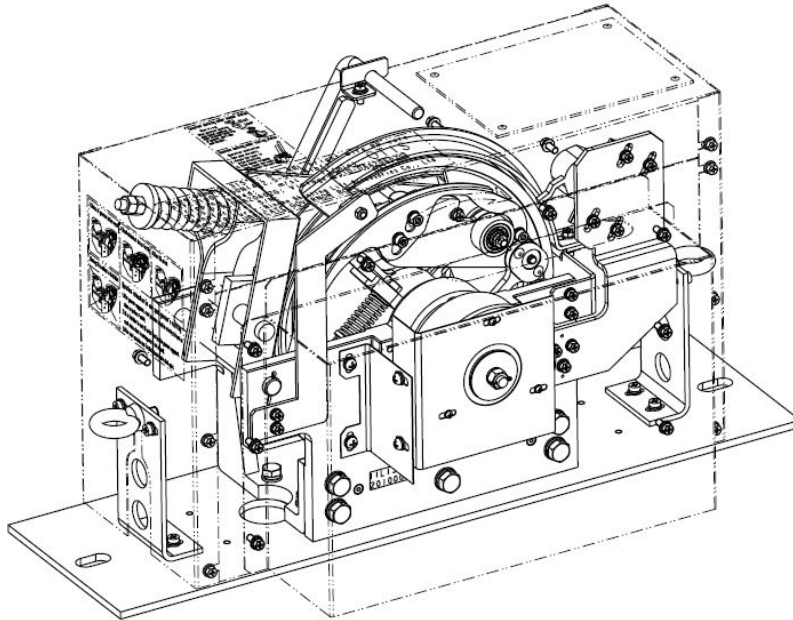
Type □-----breakdown view
(W/O Encoder)

W/O VINTAGE		
REF. No.	PART No.	DESCRIPTION
1	DAA384NH1	Governor cover, Protective
2	TAA177AH2	Over speed switch, input to SL

(Continued on next page)

15-DAA20602G

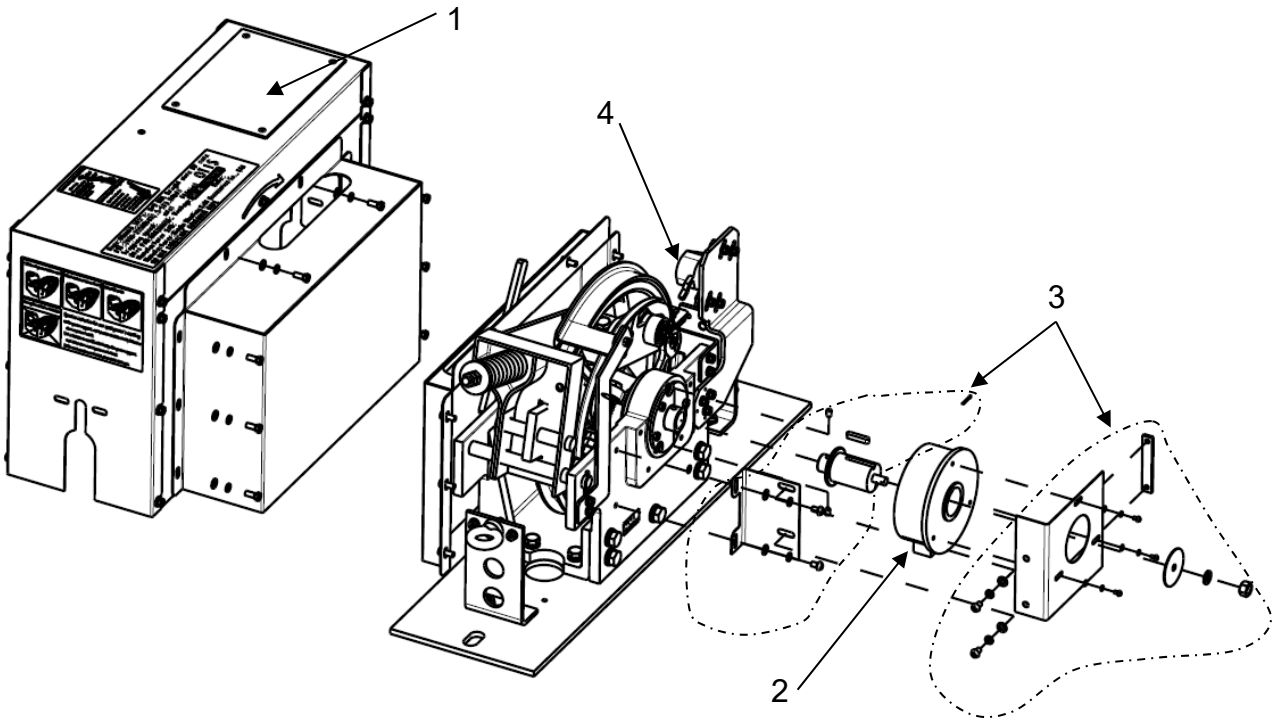
HSXMR A17.1 Governor




Type □
(W/ Encoder AAA633N_)

REF. No.	W/O VINTAGE PART No.	DESCRIPTION	CODE	RATED SPEED (M/S)
2	DAA20602G15/G55	CAR SIDE	ASME A17.1 2010	1.78
	DAA20602G16/G56			2.03
	DAA20602G17/G57			2.29
	DAA20602G18/G58			2.54
	DAA20602G19/G59			3.05
	DAA20602G20/G60			3.56
	DAA20602G21/G61			4.07
	DAA20602G35	CAR SIDE	JIS	1.75
	DAA20602G36			2.00
	DAA20602G37			2.50

(Continued on next page)

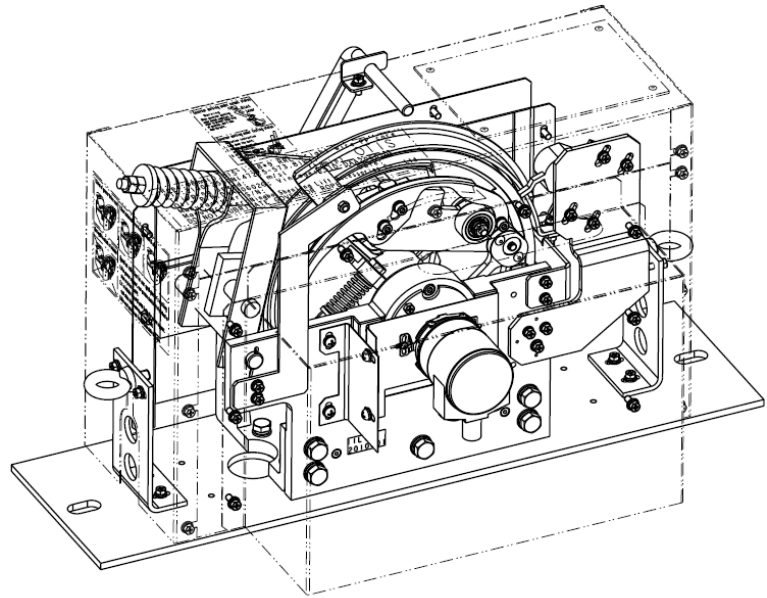


Type □-----breakdown view
(W/ Encoder AAA633N_)

REF. No.	W/O VINTAGE PART No.	DESCRIPTION
1	DAA384NQ01	Governor cover, Protective
2	---	Encoder, Speed and position detection, Type AAA633N_,  Note 1, 2
3	NS115027C014-G01	Encoder connecting package, Vender: NingBo ShenLing
4	TAA177AH2	Over speed switch, input to SL

Note:

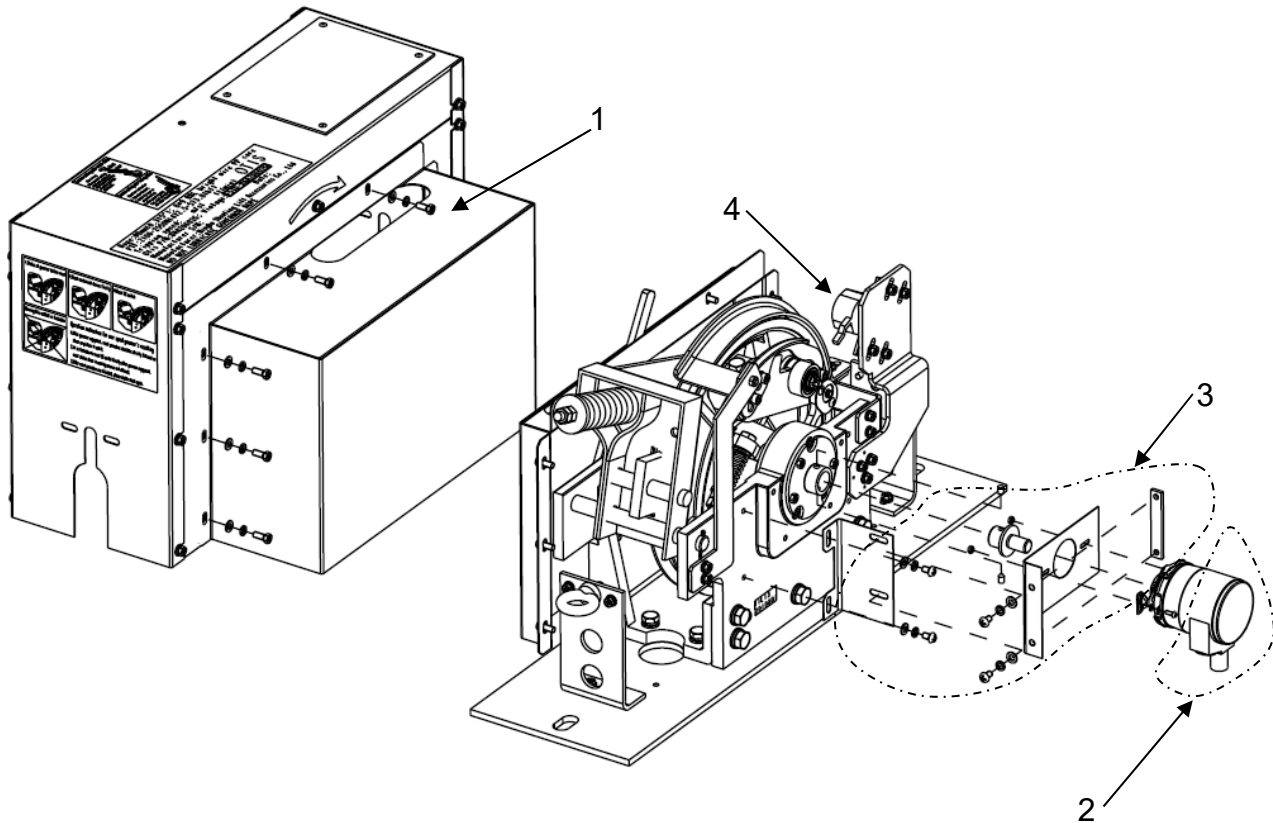
1. Specify per contract, based on site variations.
2. The PRS encoders must be ordered separately from the encoder supplier, appropriate CLC, or Service/Spare Parts Center. Encoder installation shall be completed by the CLC or Field per the FIM. The governor is shipped from NBSL per part no. configured to support the encoder mounting only.




Type □
(W/ Encoder KAA633AAB_)

REF. No.	W/O VINTAGE PART No.	DESCRIPTION	CODE	RATED SPEED (M/S)
3	DAA20602G22/G62	CAR SIDE	ASME A17.1 2010	1.78
	DAA20602G23/G63			2.03
	DAA20602G24/G64			2.29
	DAA20602G25/G65			2.54
	DAA20602G26/G66			3.05
	DAA20602G27/G67			3.56
	DAA20602G28/G68			4.07
	DAA20602G38	CAR SIDE	JIS	1.75
	DAA20602G39			2.00
	DAA20602G40			2.50

(Continued on next page)



Type □-----breakdown view
(W/ Encoder KAA633AAB_)

W/O VINTAGE		
REF. No.	PART No.	DESCRIPTION
1	DAA384NQ02	Governor cover, Protective
2	---	Encoder, Speed and position detection, Type KAA633AAB_,  Note1, 2
3	NS115027C014-G02	Encoder connecting package, Vender: NingBo ShenLing
4	TAA177AH2	Over speed switch, input to SL

Note:

1. Specify per contract, based on site variations.
2. The PRS encoders must be ordered separately from the encoder supplier, appropriate CLC, or Service/Spare Parts Center. Encoder installation shall be completed by the CLC or Field per the FIM. The governor is shipped from NBSL per part no. configured to support the encoder mounting only.