

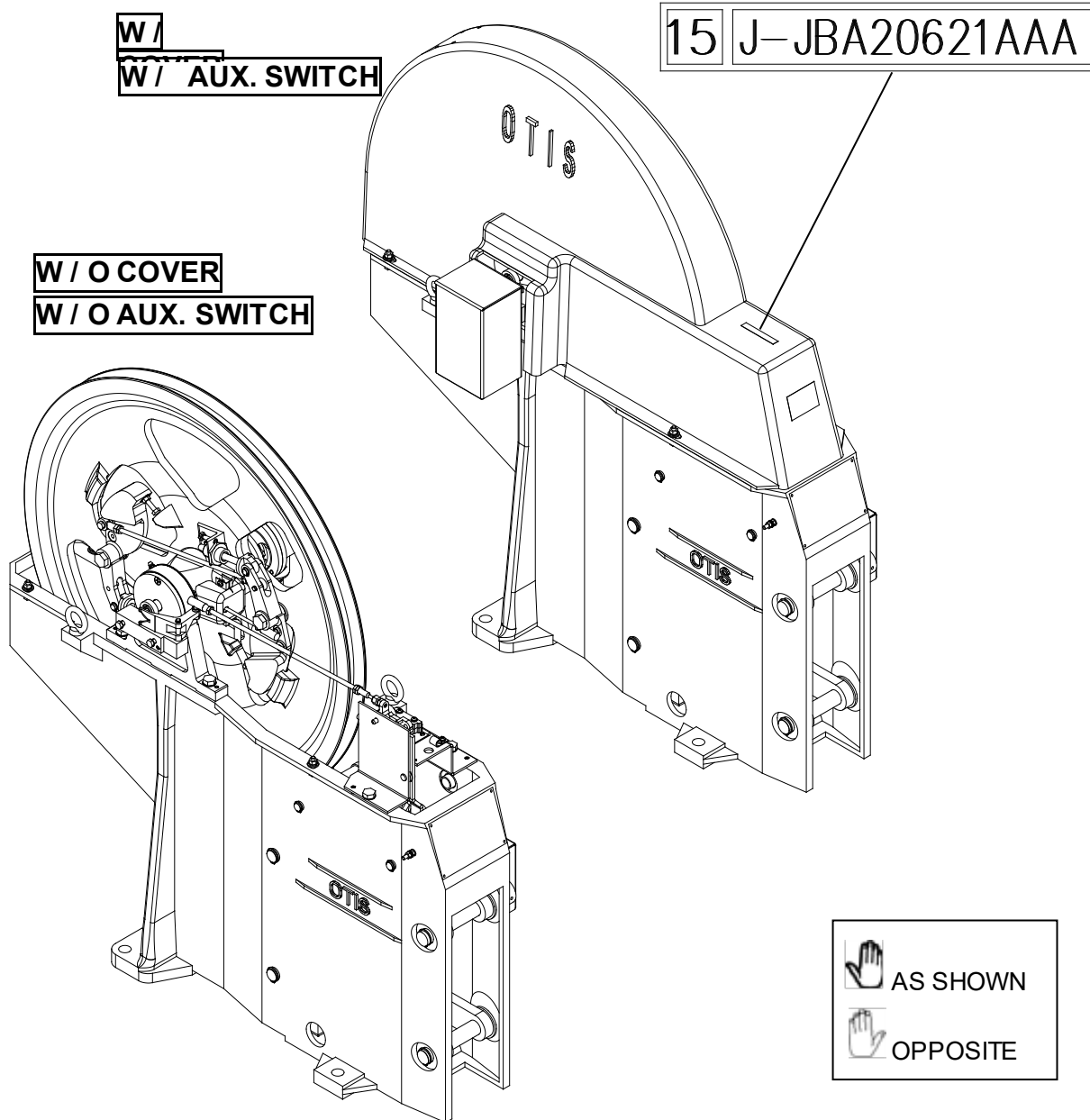
TYPE A7063F GOVERNOR

Spare Parts Leaflet

15-JAA20621AAA

June 6, 2014 / Page 1 of 20

Supersedes SPL 15-JAA20621AAA January 31, 2002



Unpublished Work—© Otis Elevator Co., 2014

OTIS

Safety First!

SERVICE ENGINEERING

**Otis Elevator Company
Shibayama Factory, Japan**

History
15-JAA20621AAA
First Published: January 2002

TYPE A7063F GOVERNOR

REVISED DATE	AUTHOR	PRIMARY REASON FOR REVISION
January 31, 2002	Yamaoka, Takayuki	New SPL
December 20, 2011	Yamaoka, Takayuki	Up Date : Revised Edition.
July 3, 2013	Yamaoka, Takayuki	Error corrected(CODE EK⇒KC)
June 6, 2014	Yamaoka, Takayuki	Changed JAW: 398AK1⇒JAA398AAK1, 398AL1⇒JAA398AAL1 SHEAVE:JBB267AAK1⇒JAA267AAS1

Leaflet Description

This leaflet provides spare parts information for A7063F GOVERNOR.

RELATED LEAFLET NUMBERS	TITLES
---	---
---	---






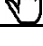


DRAWING REFERENCES		
JBA20621AAA	JCA21430AAD	JBA20621AAC
JDA20610AAA	A7063J	

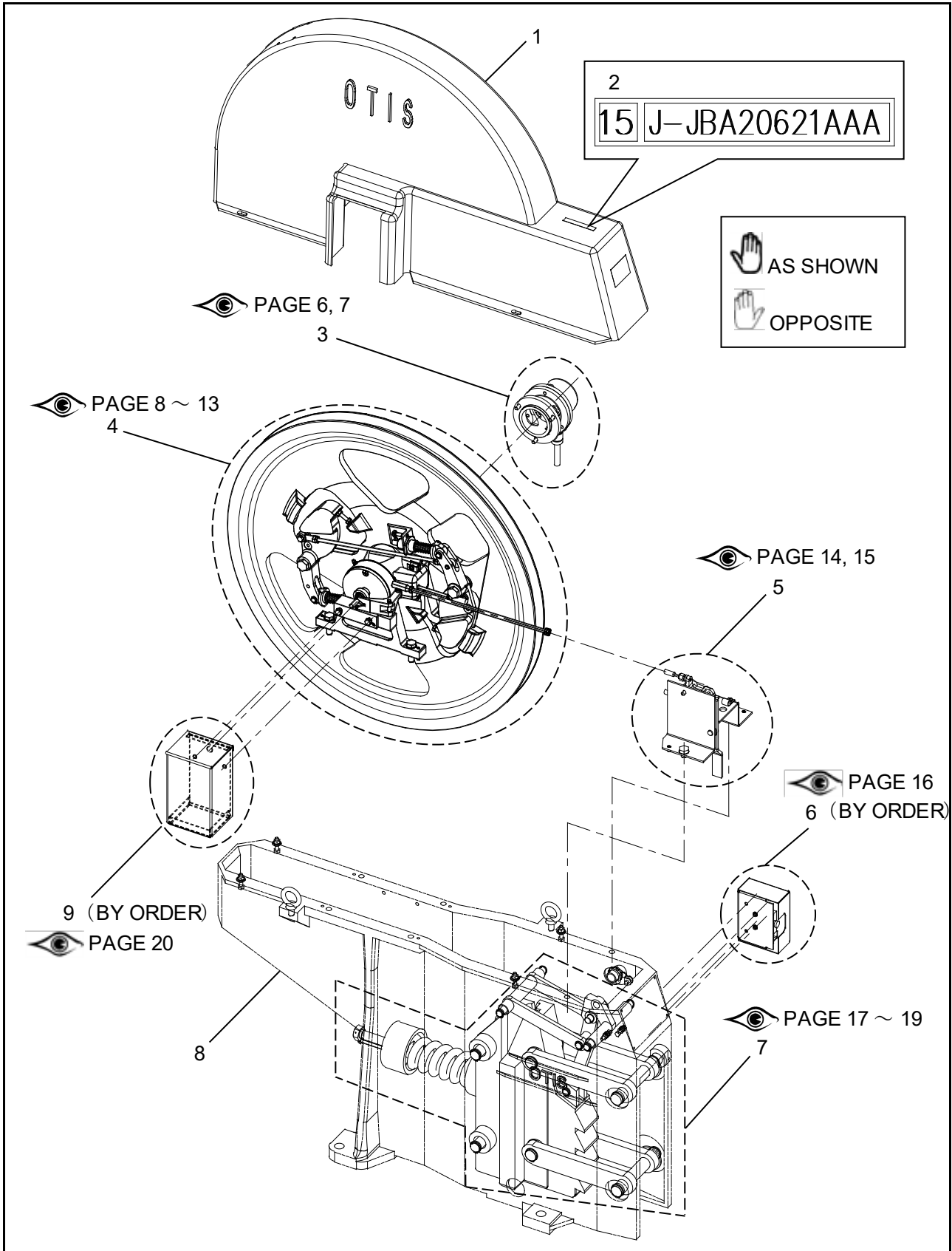
RELATED DOCUMENT NUMBERS	TITLES
---	---
---	---

This Spare Parts Leaflet (SPL) is prepared to assist you in determining the Lowest Replaceable Units (LRU) supported by the Otis Service Center for the standard version of the product titled on the preceding page. The parts are chosen by Otis associates from: Engineering, Field Engineering, Service Engineering, and Manufacturing. We attempt to make part identification as easy as possible. The SPL, however, cannot be all inclusive. Elevator and escalator contracts classified as either "special" or "custom" are not addressed. Alternative sources of information such as: the Contract Folder, Technical Information Publications, Field Education Articles, Construction Letters, etc. may give the information you are after. You live in the real world of maintaining your elevator and escalator contracts. On a daily basis, situations arise regarding parts identification and at times, for some reason, the part you need is not in the SPL. If you think a standard part not listed should be—let us know. We will respond.

Yamaoka, Takayuki-Nippon OTIS Service Center









ARRANGEMENT

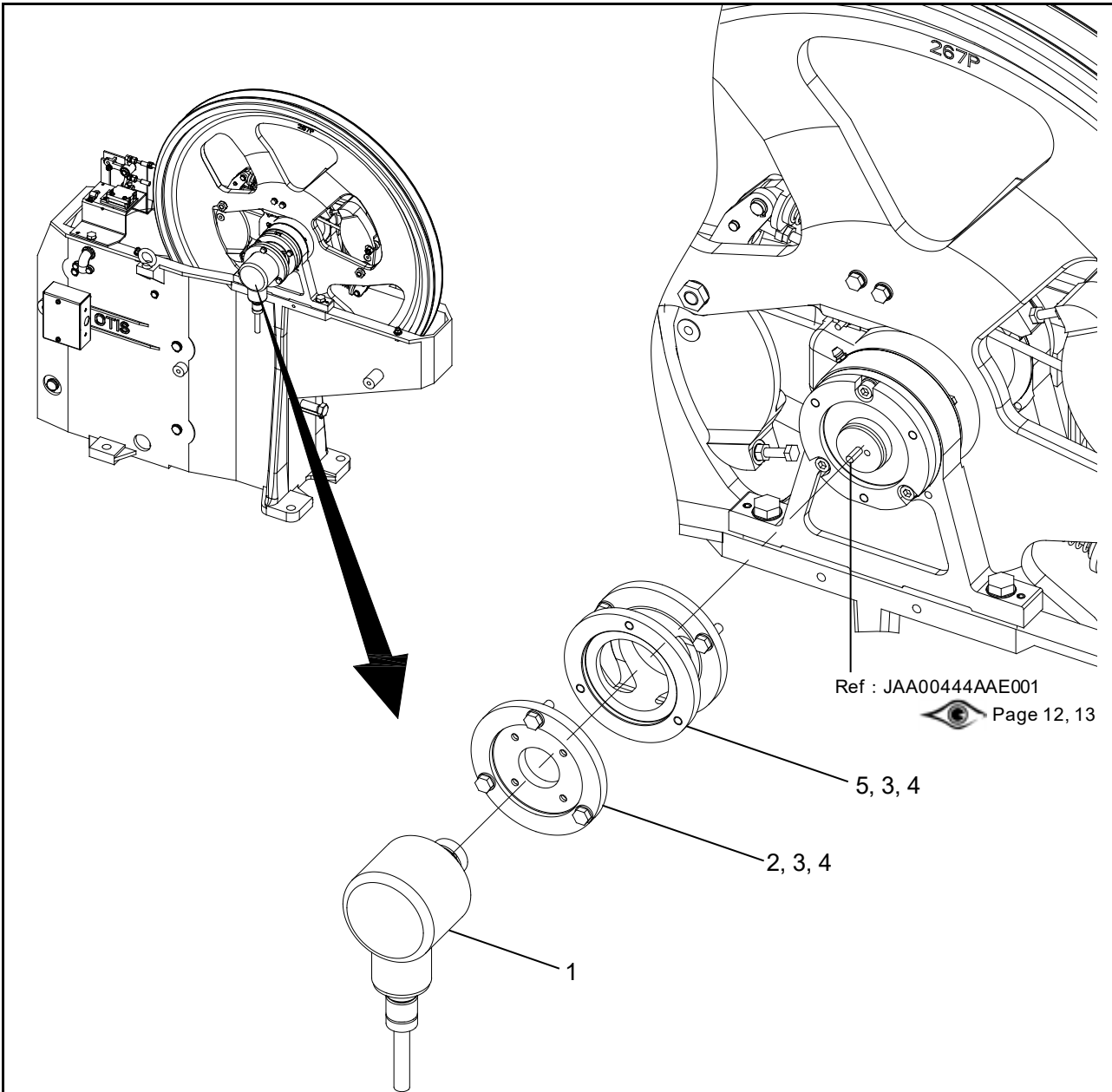
ASSEMBLY NO.	HAND	DESCRIPTION	AUX. SWITCH	CODE
JAA20621AAA JBA20621AAA				
JBA20621AAA999	---	CAR GOVERNOR	W / O	JIS, CSA
JBA20621AAA998		CWT GOVERNOR	---	
JBA20621AAA997		CAR GOVERNOR	W / O	CEN, ANSI / CSA, GB, KC
JBA20621AAA996		CWT GOVERNOR	---	
JBA20621AAA995		CAR GOVERNOR (MCS411 or OTHER)	WITH	JIS, CSA
JBA20621AAA994		CAR GOVERNOR (MCS411 or OTHER)		
JBA20621AAA993		CAR GOVERNOR (MCS411 or OTHER)		CEN, ANSI / CSA, GB, KC
JBA20621AAA992		CAR GOVERNOR (MCS411 or OTHER)		
JBA20621AAA991		CAR GOVERNOR		B44
JBA20621AAA990		CAR GOVERNOR		
JBA20621AAA989	---	CAR GOVERNOR		W / O
JBA20621AAA988		CWT GOVERNOR	---	
JBA20621AAA987		CAR GOVERNOR W / ENCODER (MCS411  , or 413)	WITH	JIS, CSA
JBA20621AAA986		CAR GOVERNOR W / ENCODER (MCS413)	W / O	
JBA20621AAA985		CAR GOVERNOR W / ENCODER (MCS411  , or 413)	WITH	CEN, GB, KC
JBA20621AAA984		CAR GOVERNOR W / ENCODER (MCS413)	W / O	



TYPE A7063F GOVERNOR

15-JAA20621AAA

		<u>JAA20621AAA</u> <u>JBA20621AAA</u>		<u>JAA20621AAA</u> <u>JBA20621AAA</u>
REF. NO.	PART or ML	DESCRIPTION		USE for
1	346AHA1	COVER		999, 998, 997, 996, 995, 993, 991, 989, 988, 986, 984
	346AHA2			994, 992, 990, 987, 985
2	JAA102AXK1 JBA102AXK1	PLATE, DATA		
3	 Page 6, 7	ROTARY ENCODER		987, 986, 985, 984
4	 Page 8~ 13	SHEAVE ASS'Y 1 & 2		
5	 Page 14, 15	TRIPPER ASS'Y		
6	 Page 16	JAW SWITCH ASS'Y		997, 996, 993, 992, 991, 990 989, 988, 985, 984
7	 Page 17~ 19	ROPE CLAMP ASS'Y		
8	JAA471ALR2	STAND		
9	 Page 20	AUXILIARY SWITCH ASS'Y		995, 994, 993, 992, 991, 990 987, 985



REF. NO.	W / O Vintage PART or ML	DESCRIPTION
1	Page 7	ROTARY ENCODER ASS'Y
2	JAA00306AAZ001	BASE
3	BFM06X020	M6X20 HEX HD FIN BOLT
4	LWS06	M6 SPRING LOCK WASHER
5	JAA00270AAA001	ADAPTOR

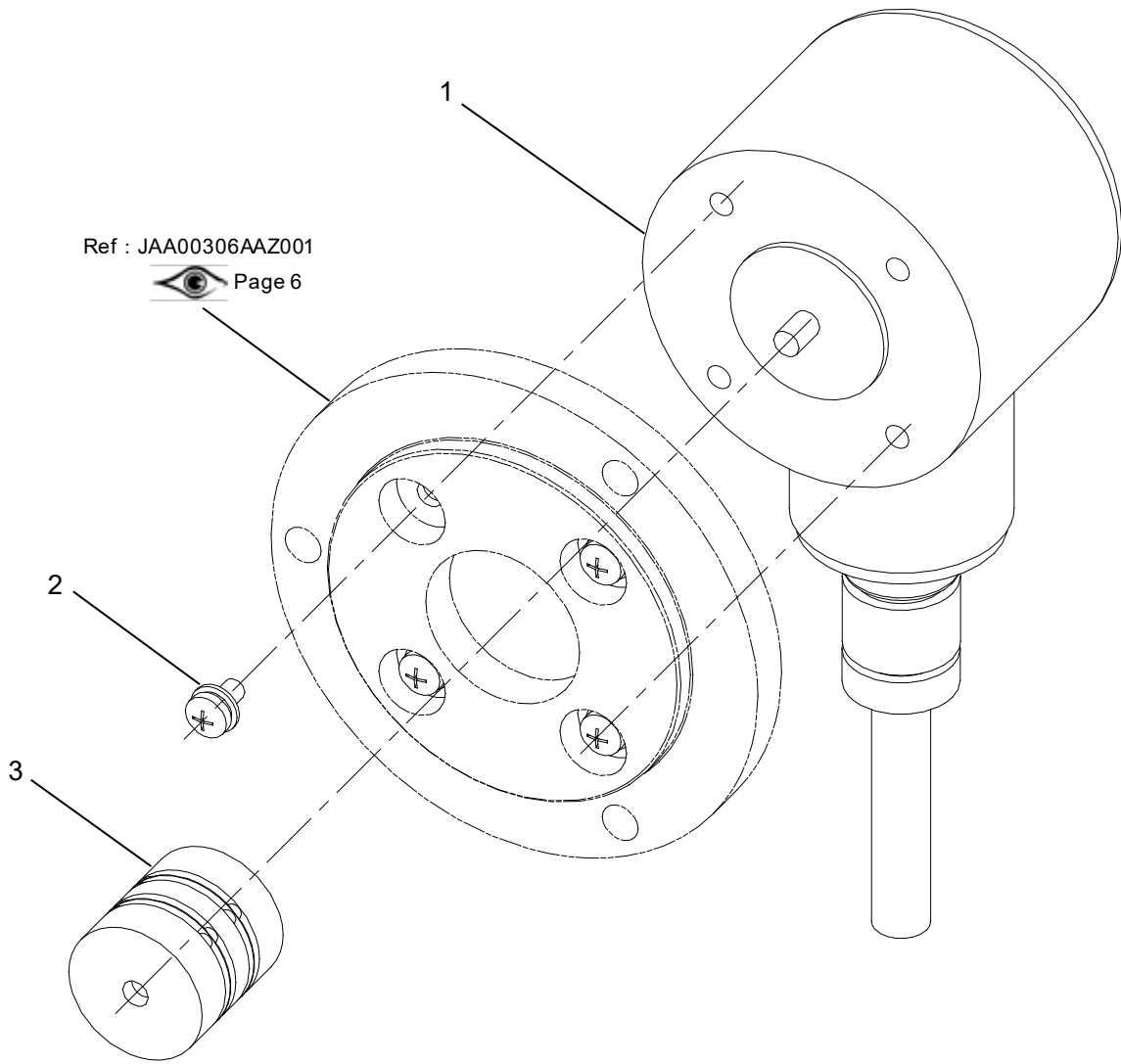
ROTARY ENCODER

15-JAA20621AAA

Ref : JAA00306AAZ001

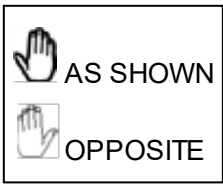


Page 6

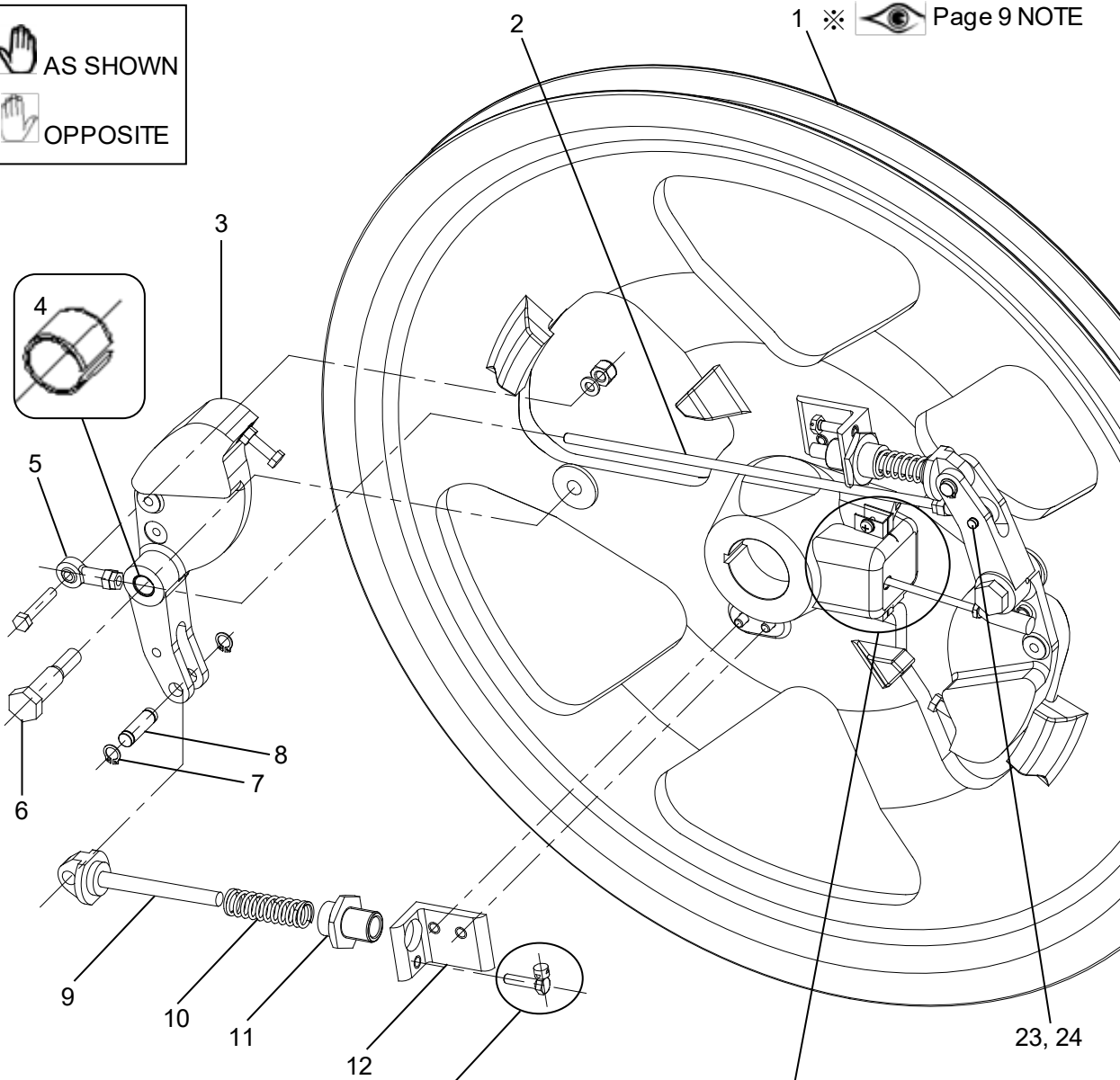


JAA21430AAD
JBA21430AAD
JCA21430AAD

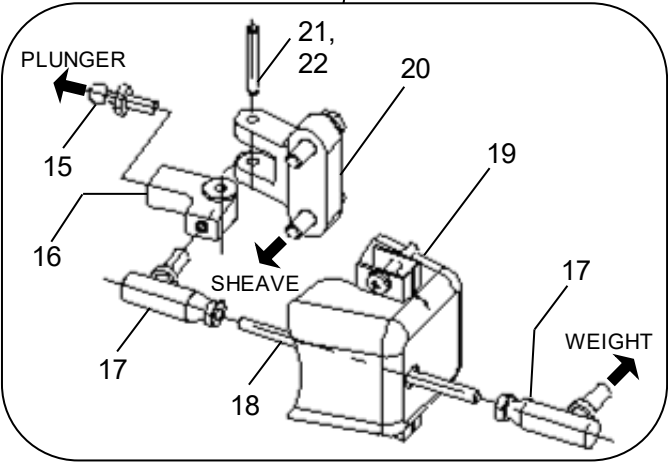
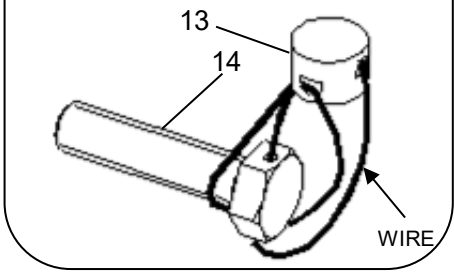
REF. NO.	PART or ML		DESCRIPTION	REMARKS
	1	2		
1	JO629P7 JAA633ACB1 JBA633ACB1 (for GPPT)	JAA633ACB2 JBA633ACB2 (for APPT)	ROTARY ENCODER	ACB1:5000PPR
				ACB2:1024PPR
2	PSM04X008-RL		M4X8 PAN HD SCREW W / LW & RDW	
3	C-22-5S/5S		COUPLING	Daido Precision Industries Ltd.



1 ※ Page 9 NOTE




For preventing from losing the bolt.
落下防止のため。



SHEAVE ASS'Y — 1

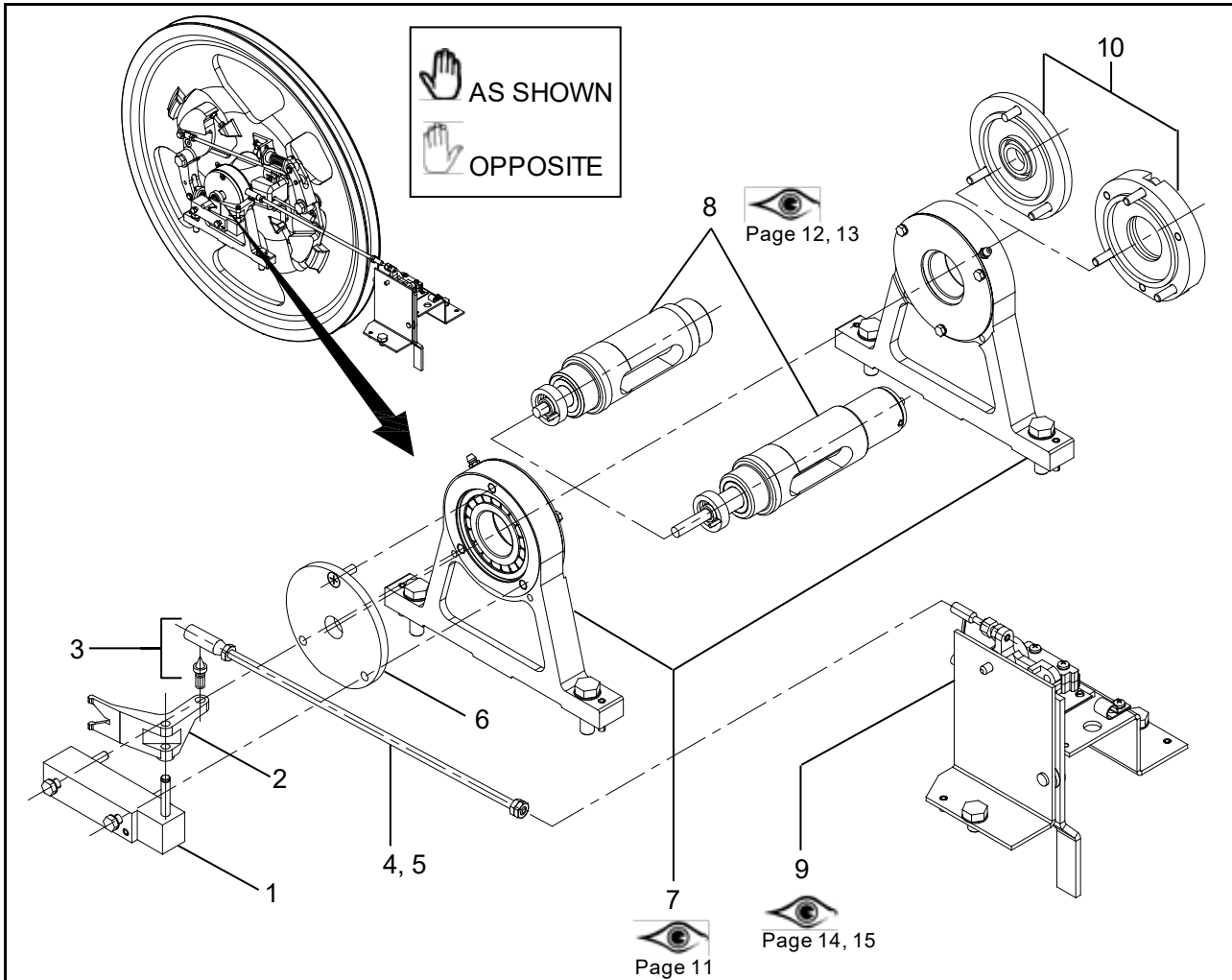
15-JAA20621AAA

		W / O Vintage			
REF. NO.	PART or ML	DESCRIPTION	REMARKS	QTY.	
1	267P4 JAA267AAK1 JBA267AAK1 JBB267AAK1 JAA267AAS1	SHEAVE	※  NOTE	1	
2	JX96H197	ROD		1	
3	JX344BB501	WEIGHT	BY ORDER	2	
	JAA344ACH2				Car Speed 360 — 540 Car Speed — 600
4	335AB2	BUSHING OILLESS		4	
5	JX212AA1	BEARING, ROD END		2	
6	JX59BL2	BOLT		2	
7	172DE20	RING		4	
8	77JP5	PIN		2	
9	79BN1	PIN, SHOULDERED		2	
10	90YB3	SPRING	BY ORDER (※ Contact to OSCJ P.C.)	2	
	90BT1				Car Speed — 300
	JX90BC11				Car Speed — 360
	JX90BC11				Car Speed — 420
	JAA90AFB1				Car Speed — 480
	90CX5				Car Speed — 540
11	65DD2	BOLT		2	
12	JX272AXK1	ANGLE		2	
13	JAA431AAV1	LOCK		2	
14	JX58AD45	BOLT		2	
15	124BS1	BALL, SCREW		1	
16	307AX1	BELL CRANK		1	
17	307AY1	LEVER, SWIVEL		2	
18	96H198	ROD		1	
19	346AFT1 346AFT2	COVER		1	
20	316CGH1	BRACKET		1	
21	77JP18	PIN		1	
22	172DE26	RING		2	
23	JX77JP13	PIN		1	
24	172DE25	RING		3	

※ NOTE) Sheave should be replaced by assembly. (J_A20621AAA305~309)

15-JAA20621AAA

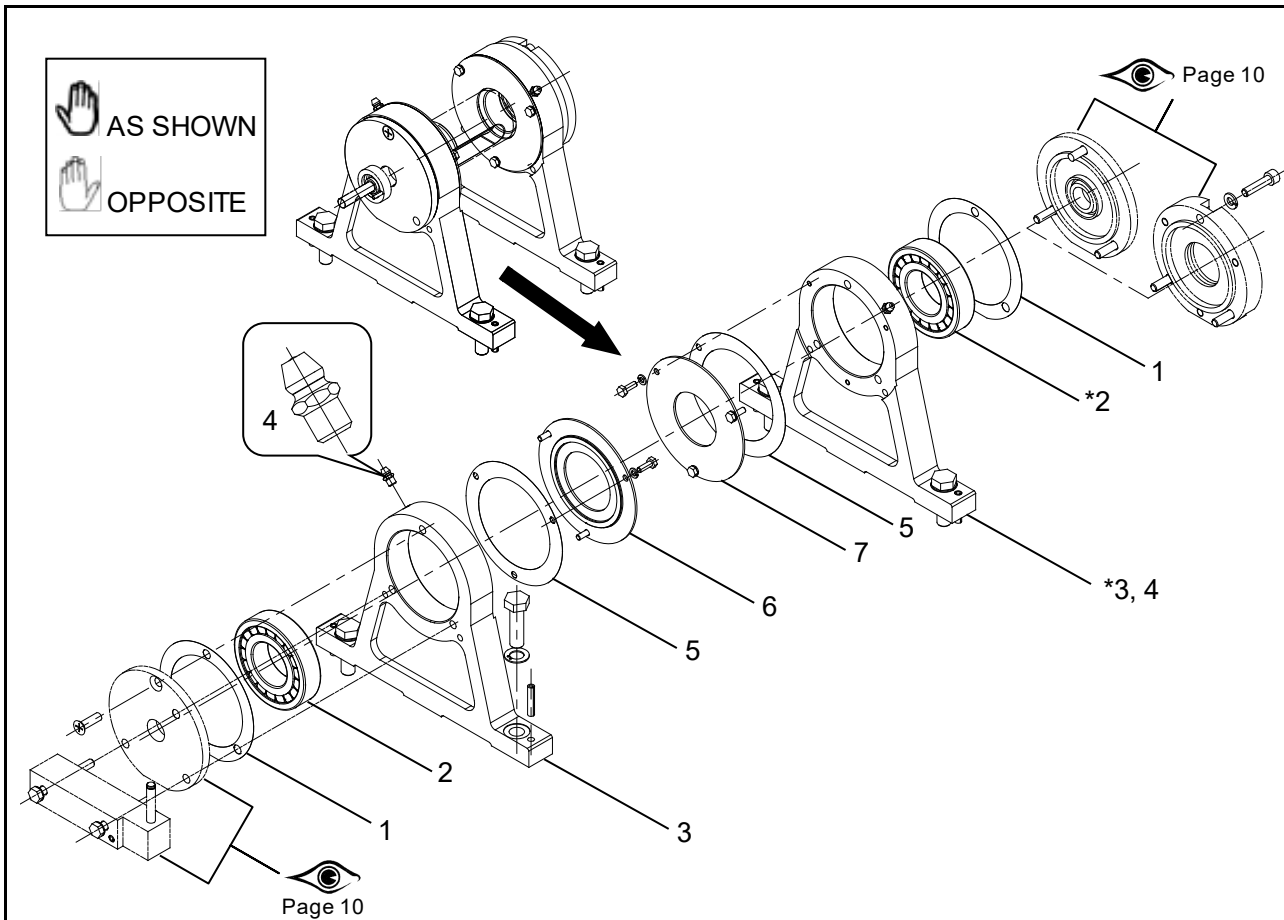
SHEAVE ASS'Y - 2



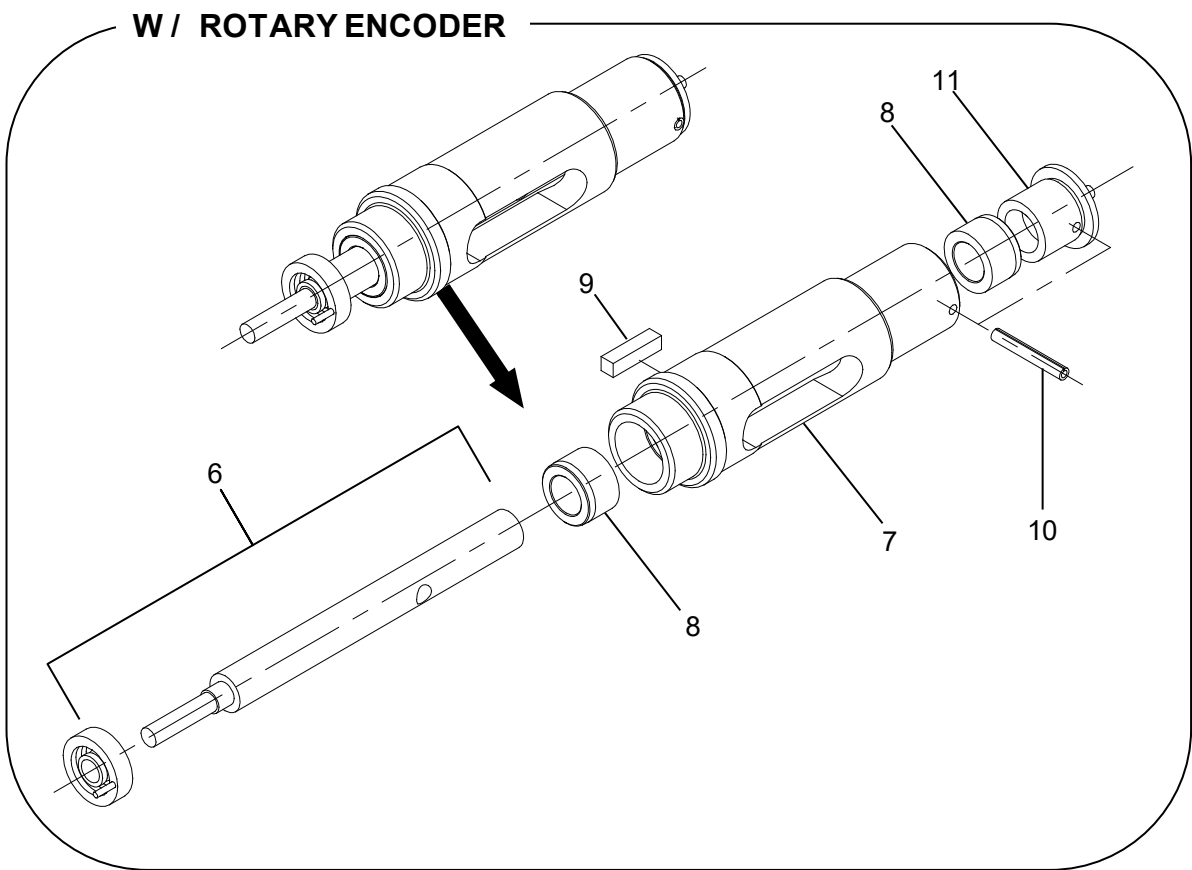
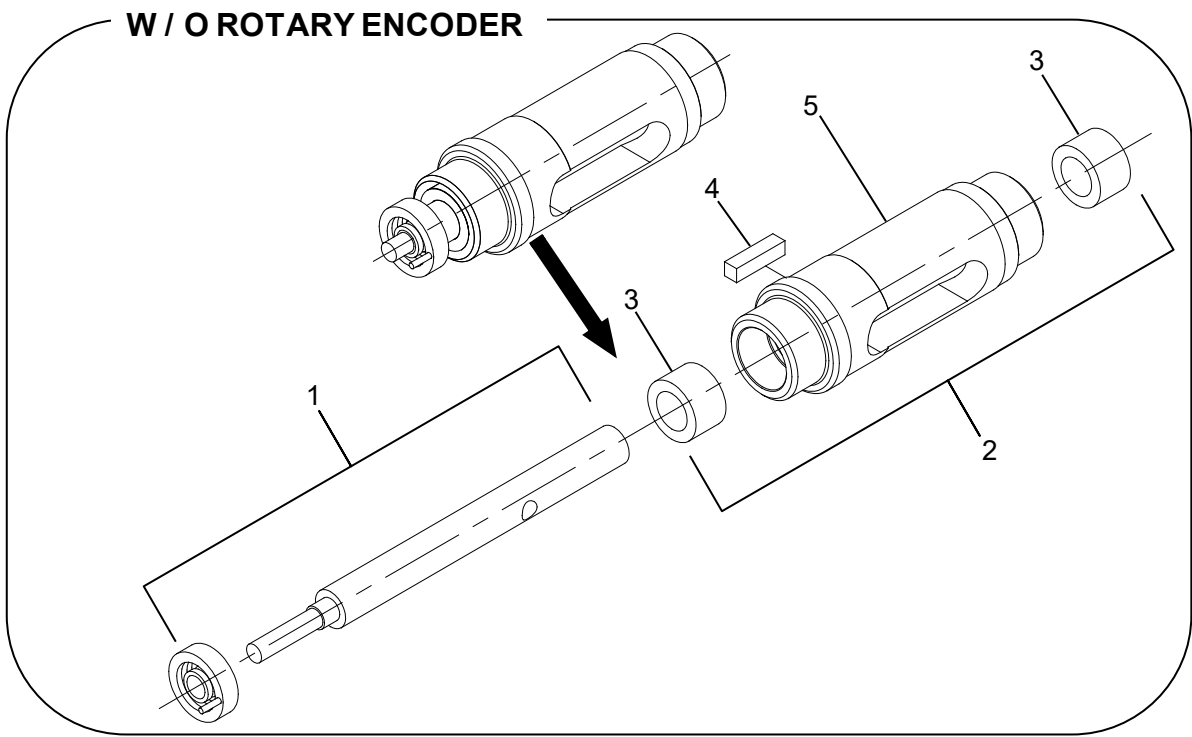
	W / O Vintage		JAA20621AAA JBA20621AAA	
REF. NO.	PART or ML	DESCRIPTION	USE for	QTY.
1	462FX2	SPACER		1
2	307BC1	BELL CRANK LEVER		1
3	307AY2	LEVER, SWIVEL		1
4	96CJ2	ROD		1
5	NS1 / 4 - 28	UNF NUT		3
6	346AFN2	COVER		1
7	Page 11	BEARING STAND & PARTS		2
8	Page 12, 13	SHAFT & PLUNGER		1
9	Page 14, 15	TRIPPER ASS'Y		1
10	346AFN2	COVER	999, 998, 997, 996, 995, 994, 993, 992, 991, 990, 989, 988	1
	JAA346BWG1		987, 986, 985, 984	

BEARING STAND & PARTS

15-JAA20621AAA






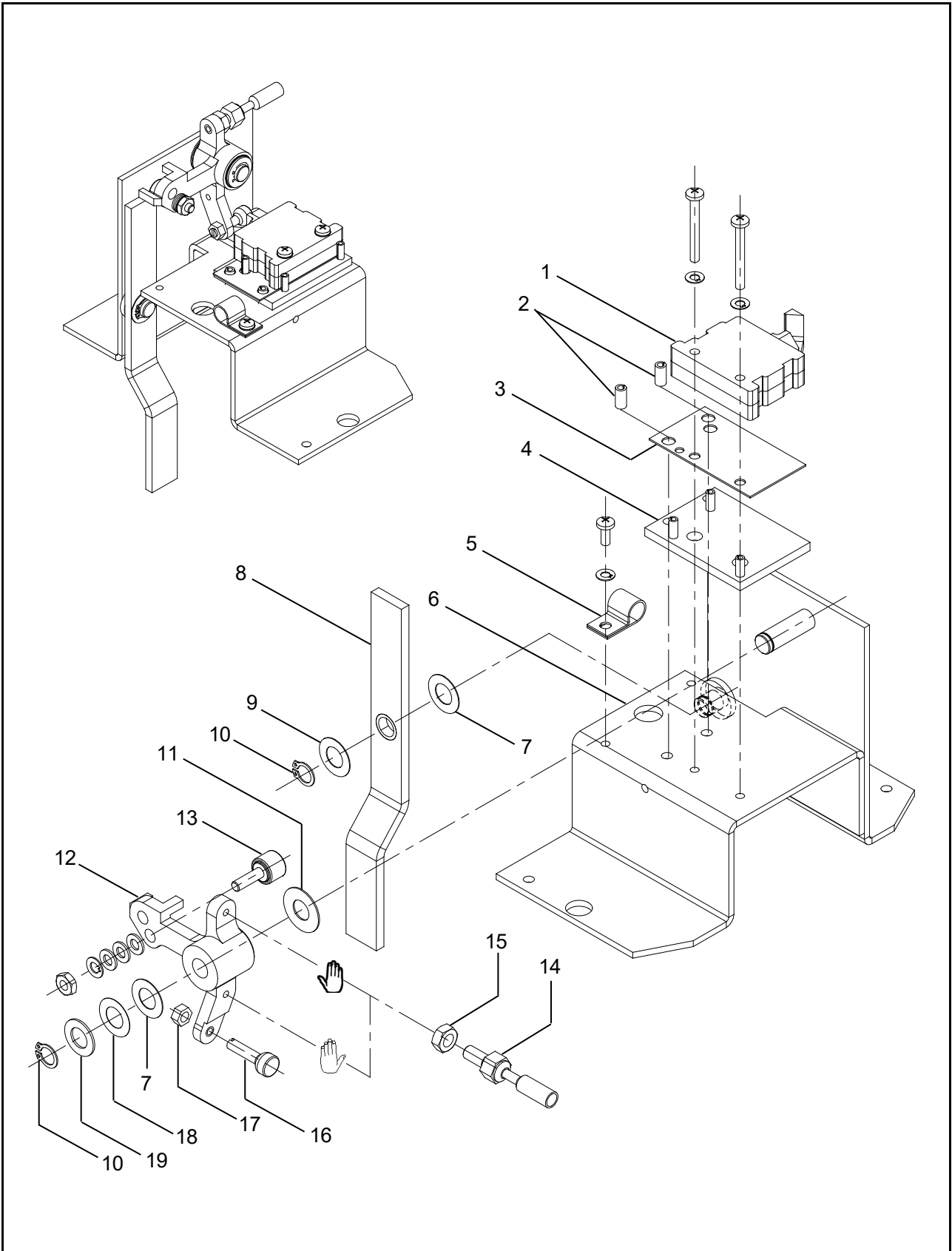
W / O Vintage			
REF. NO.	PART or ML	DESCRIPTION	QTY.
1	376EJ1	GASKET	4
2	207Z22 JAA209ACB1	BALL BEARING ROLLER BEARING	2
3	472ES4 JAA472AAV4 JBA472AAV1	STAND	2
4	JAA435AAH1	FITTING LUBRICATOR	2
5	JAA376ABD1	GASKET	4
6	JAA346BWM2	COVER	1
7	JAA346BWM1	COVER	1



SHAFT & PLUNGER

15-JAA20621AAA

		W / O Vintage		JAA20621AAA_ JBA20621AAA_
REF. NO.	PART or ML		DESCRIPTION	USE for
1	445BT4		PLUNGER	994, 992, 990
	445BT5	---		999, 998, 997, 996, 989, 988
	445BT6			995, 993, 991
2	495CJ2		SHAFT (W / Ref.No.3)	999, 998, 997, 996, 995, 994, 993, 992, 991, 990, 989, 988
3	335E98		BUSHING	
4	192E18		KEY	
5	495CJ1		SHAFT (W / O Ref.No.3)	
6	445BT4			
	445BT5	---		986, 984
7	JAA00495AAA001		SHAFT	987, 986, 985, 984
8	396GM1		BUSHING	
9	192E18		KEY	
10	PS5.0X036		ROLL PIN for SPIGOT	
11	JAA00444AAE001		SPIGOT	



TRIPPER ASSEMBLY

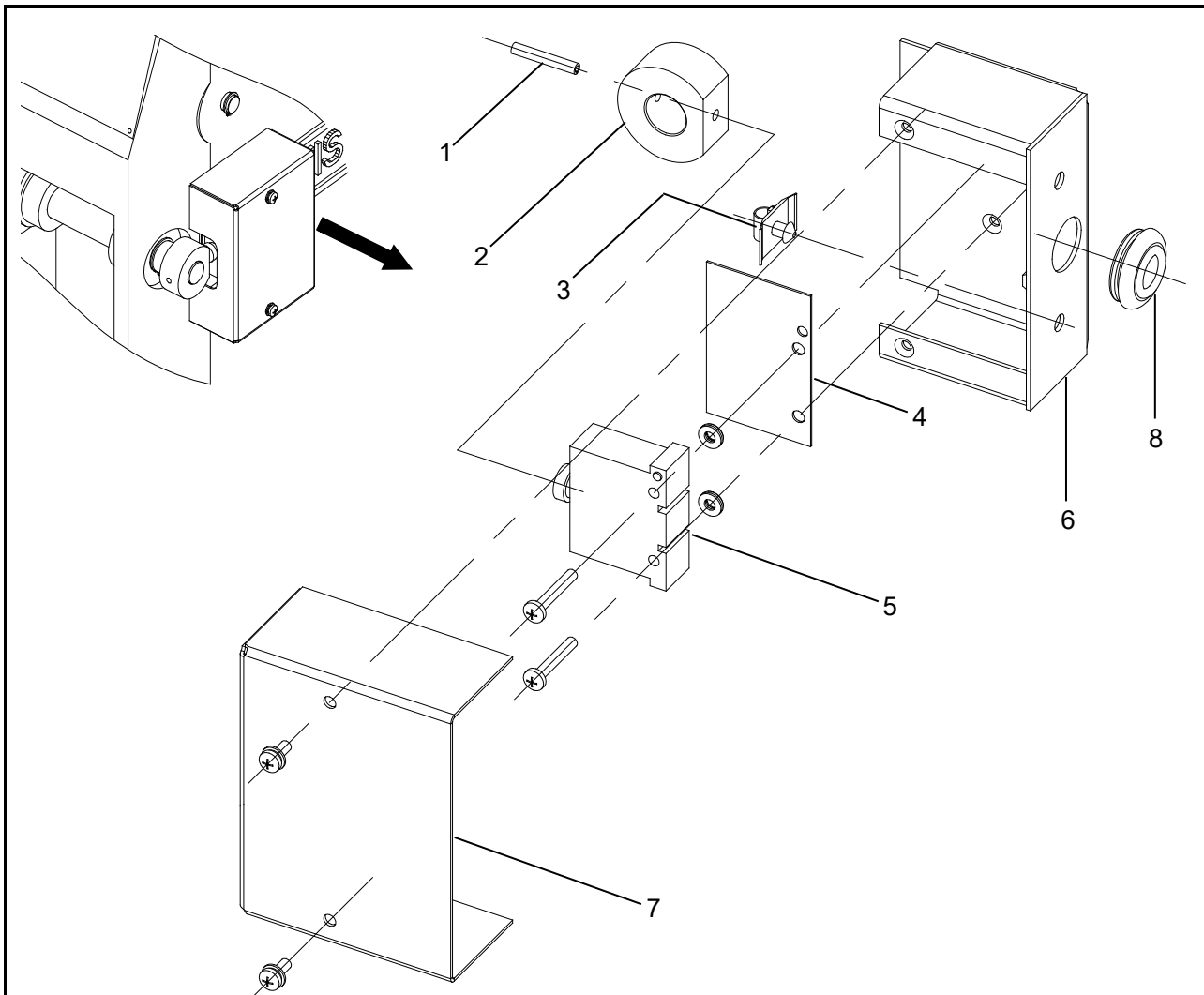
15-JAA20621AAA

JAA20621AAC_ JBA20621AAC_			
REF. NO.	1  or NH	2 	DESCRIPTION
	PART or ML		
1	7035A106		ASSEMBLY, PUSH BUTTON
2	PS5.0X10		M5X10 ROLL SPRING PIN
3	JAA278ABP1 JX278BL502		SHIELD INSULATING
4	JAA255AMM1 JAA316TJA1		BRACKET
5	336CZ9		CLIP
6	JAA316HTP1		BRACKET
7	128AF18		WASHER, NON-FERROUS
8	A288MT1		LEVER
9	JAA128AAC1 128AF18		WASHER, NON-FERROUS
10	172DE20		RETAINING RING
11	JAA128AAC2		WASHER, NON-FERROUS
12	288PW1		LEVER
13	JAA207AAT1		BRARING
14	AAA708A1		BALL JOINT, SWIVEL
15	NS1 / 4 - 28		1 / 4 - 28 UNF NUT
16	65FD1		BOLT
17	NSM05		M5 HEX FULL NUT
18	JAA255AXJ1		SHIM
19	JAA128AAC2 JAA128AAC1		WASHER, NON-FERROUS

JAA20621AAA_ JBA20621AAA_	
TRIPPER ASSEMBLY	USE for
JAA20621AAC1 JBA20621AAC1	999, 998, 997, 996, 994, 992, 987, 986, 985, 984
JAA20621AAC2 JBA20621AAC2	995, 993
JAA20621AAD1 (JAA20621AAC1 + OTHER for B44)	990, 989, 988
JAA20621AAD2 (JAA20621AAC2 + OTHER for B44)	991

15-JAA20621AAA

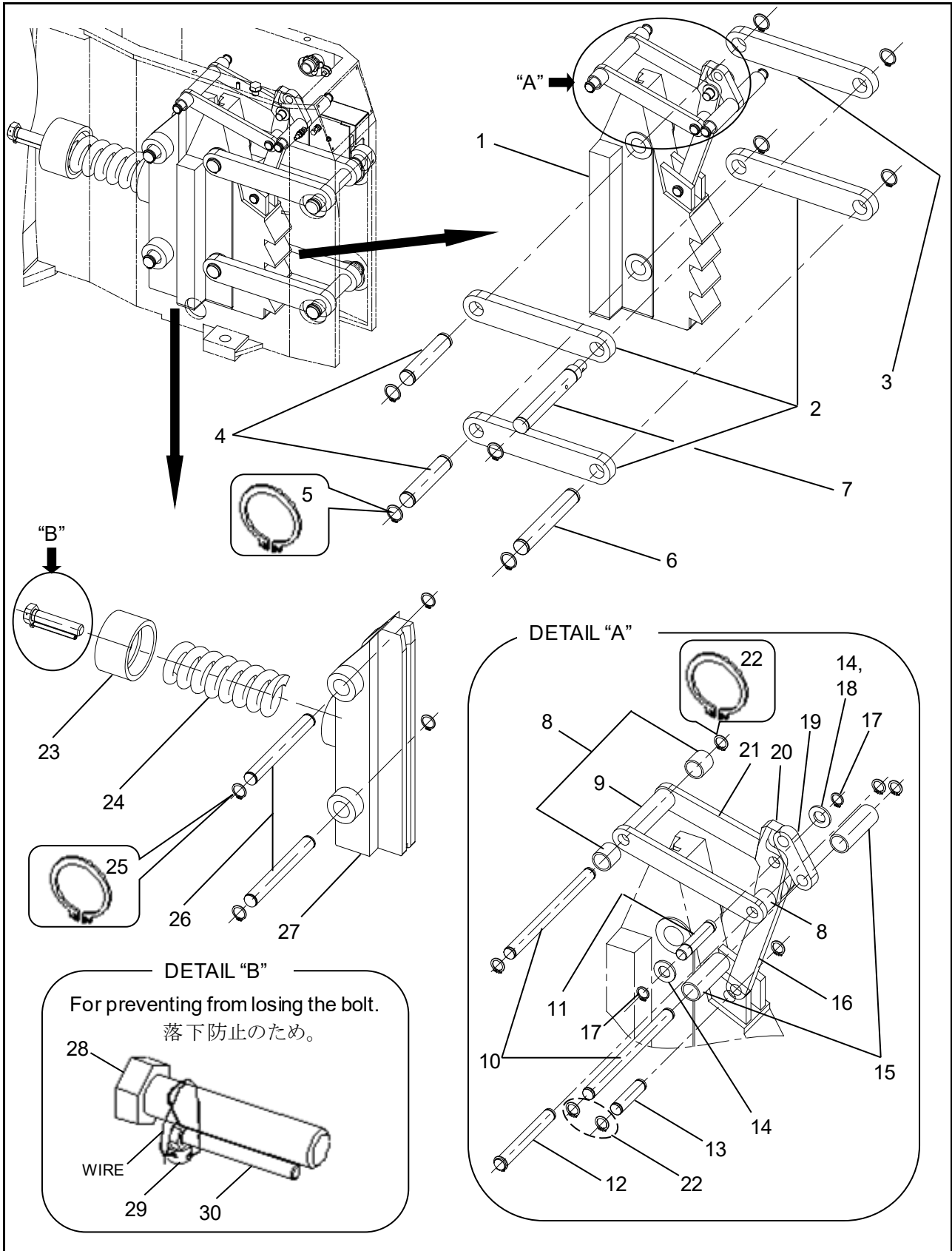
JAW SWITCH



W / O Vintage			
REF. NO.	PART or ML	DESCRIPTION	QTY.
1	PS4.0X25	SPRING PIN	1
2	JAA327AFX1	CAM	1
3	JAA339AFX4	CABLE CLIP	1
4	278BL1	SHIELD, INSULATING	1
5	7035A116	SWITCH	1
6	JAA285AWT3 JBA285AWT3	COVER	1
7	JAA285AWT2 JBA285AWT2	COVER	1
8	JAA00321AAA004 JAA00321ABA009	BUSHING	1

ROPE CLAMP ASSEMBLY

15-JAA20621AAA



15-JAA20621AAA**ROPE CLAMP ASSEMBLY**

	W / O Vintage		JAA20621AAA_ JBA20621AAA_	
REF. NO.	PART or ML	DESCRIPTION	USE for	QTY.
1	398AK1 JAA398AAK1	JAW		1
2	430TA49	LINK		3
3	430TA49	LINK	999, 998, 995, 994, 987, 986,	1
	JAA430ACF1 JBA430ACF1		997, 996, 993, 992, 991, 990, 989, 988, 985, 984	1
4	77JP20	PIN		2
5	RTC22S	RING		8
6	77JP19	PIN		1
7	77JP19	PIN	999, 998, 995, 994, 987, 986	1
	JAA81AXK1 JBA81AXK1		997, 996, 993, 992, 991, 990, 989, 988, 985, 984	
8	462HA82	SPACER		4
9	462HA84	SPACER		1
10	77JP22	PIN		2
11	77JX2 JAA81AZP1	PIN		1
12	77JP23	PIN		1
13	77JP24	PIN		1
14	RWS12	M12 RD WASHER		2
15	462HA83	SPACER		2
16	430TA51	LINK		1
17	RTC12S	RING		2
18	172DR2 JO462AM2	RING		4
				5
19	430TA50	LINK		1
20	446AK1 JAA446AAP1	TRIPPER CRANK		1

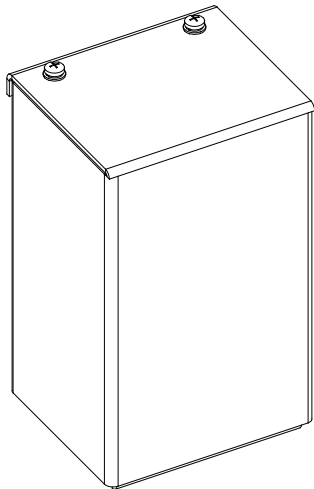
ROPE CLAMP ASSEMBLY

15-JAA20621AAA

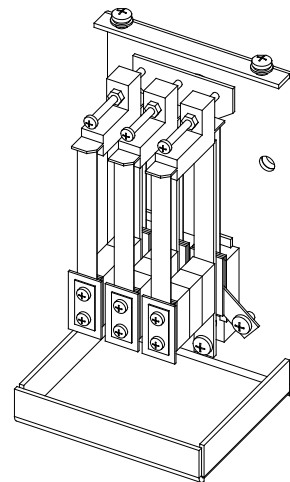
	W / O Vintage		JAA20621AAA_ JBA20621AAA_	
REF. NO.	PART or ML	DESCRIPTION	USE for	QTY.
21	430TA52	LINK		2
22	172DE11	RING		8
23	133BE1	SPRING SEAT WASHER		1
24	90HD12	SPRING		1
25	RTC19S	RING		4
26	77JP21	PIN		2
27	398AL1 JAA398AAL1	JAW		1
28	JX58AD61	FIN HEX BOLT		1
29	JAA431AAV1	LOCK		1
30	JAA65ALD1	FIN HEX BOLT		1

15-JAA20621AAA

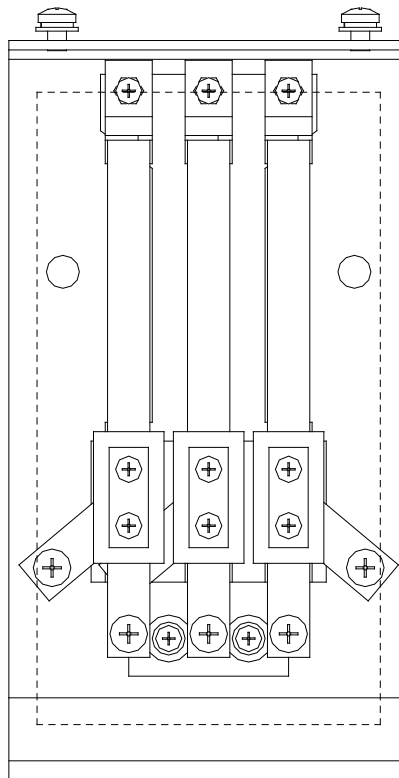
AUXILIARY SWITCH ASS'Y



< W / COVER >



< W / O COVER >



A7063J_	SWITCH OR CONTACT TYPE 7063R	CONTACT CONFIGURATION
A7063J1	ARR 1	1 Making 4Breaking
A7063J2	ARR 2	1 Making 2Breaking
A7063J3	ARR 3	1 Making
A7063J4	ARR 4	1 Making 4Breaking
A7063J5	ARR 5	1 Making 2Breaking
A7063J6	ARR 6	1 Making