

**TYPE AAB7063AH
GOVERNOR**

Spare Parts Leaflet

15-JAA20621AAB

June 6, 2014 / Page 1 of 26

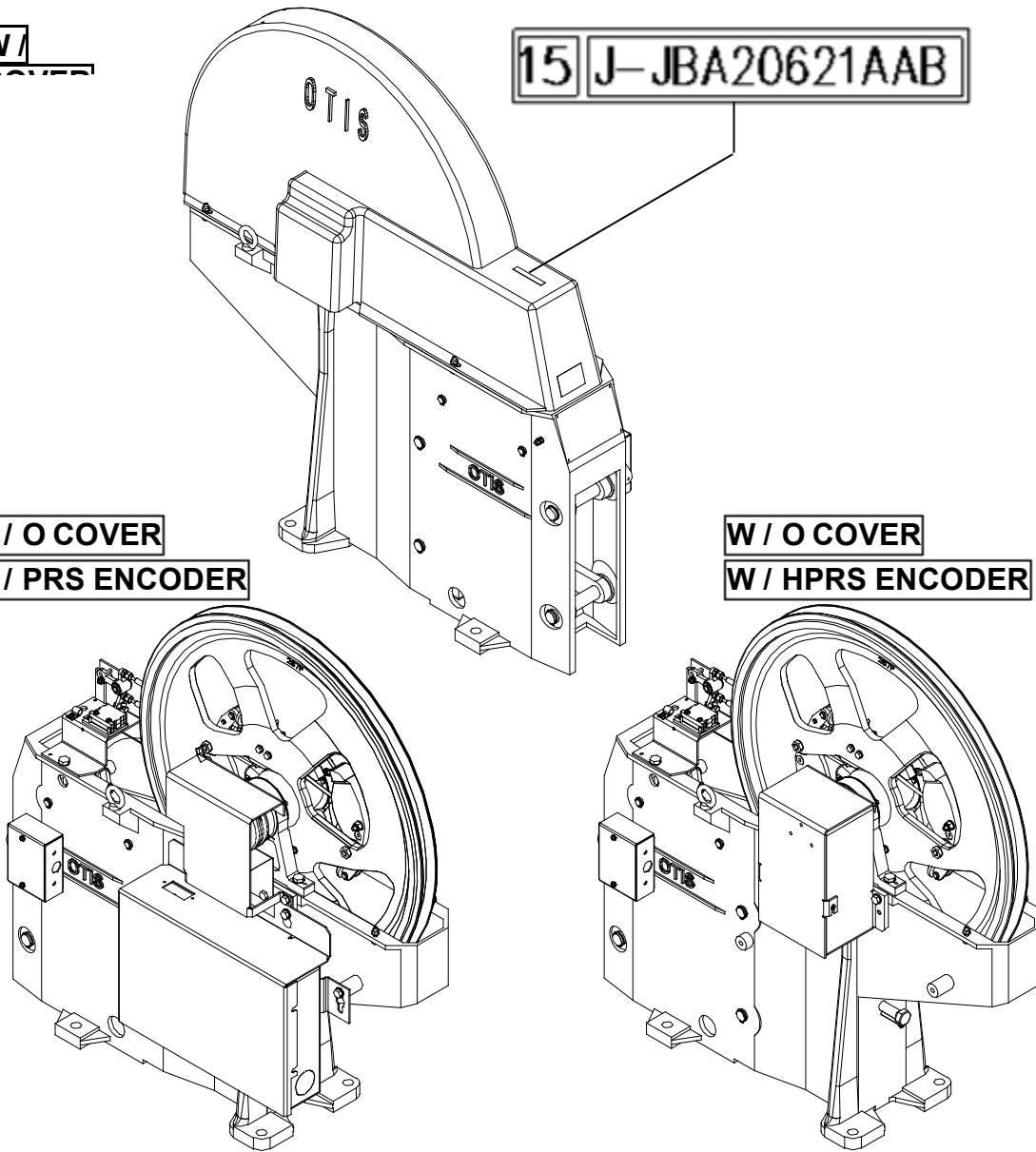
Supersedes SPL 15-JAA20621AAB January 31, 2002

**W/
COVER**

15 J-JBA20621AAB

**W / O COVER
W / PRS ENCODER**

**W / O COVER
W / HPRS ENCODER**



Unpublished Work—© Otis Elevator Co.; 2014

OTIS

Safety First!

SERVICE ENGINEERING

**Otis Elevator Company
Shibayama Factory, Japan**

History
15-JAA20621AAB
First Published: January 2002

TYPE AAB7063AH GOVERNOR

REVISED DATE	AUTHOR	PRIMARY REASON FOR REVISION
January 31, 2002	Yamaoka, Takayuki	New SPL
January 10, 2012	Yamaoka, Takayuki	Up Date : Revised Edition.
July 3, 2013	Yamaoka, Takayuki	Error corrected(CODE EK⇒KC) Added encoder arr.(KAA633AAB2) Added assembly arr.(JBA20621AAB992,993,309)
June 6,2014	Yamaoka, Takayuki	Added assembly arr.JBA20621AAB972~979,982~989 Changed ENCODER: JBA633ABK2⇒JBB633ABK2 SHEAVE: JBB267AAK1⇒JAA267AAS1 JAW: 398AK1⇒JAA398AAK1, 398AL1⇒JAA398AAL1

Leaflet Description

This leaflet provides spare parts information for AAB7063AH GOVERNOR.

RELATED LEAFLET NUMBERS	TITLES
---	---
---	---

DRAWING REFERENCES		
JBA20621AAB	JBA20621AAC	JAA21430AAH

RELATED DOCUMENT NUMBERS	TITLES

This Spare Parts Leaflet (SPL) is prepared to assist you in determining the Lowest Replaceable Units (LRU) supported by the Otis Service Center for the standard version of the product titled on the preceding page. The parts are chosen by Otis associates from: Engineering, Field Engineering, Service Engineering, and Manufacturing. We attempt to make part identification as easy as possible. The SPL, however, cannot be all inclusive. Elevator and escalator contracts classified as either "special" or "custom" are not addressed. Alternative sources of information such as: the Contract Folder, Technical Information Publications, Field Education Articles, Construction Letters, etc. may give the information you are after. You live in the real world of maintaining your elevator and escalator contracts. On a daily basis, situations arise regarding parts identification and at times, for some reason, the part you need is not in the SPL. If you think a standard part not listed should be—let us know. We will respond.

Yamaoka, Takayuki-Nippon OTIS Service Center

TYPE AAB7063AH GOVERNOR

15-JAA20621AAB

ARRANGEMENT

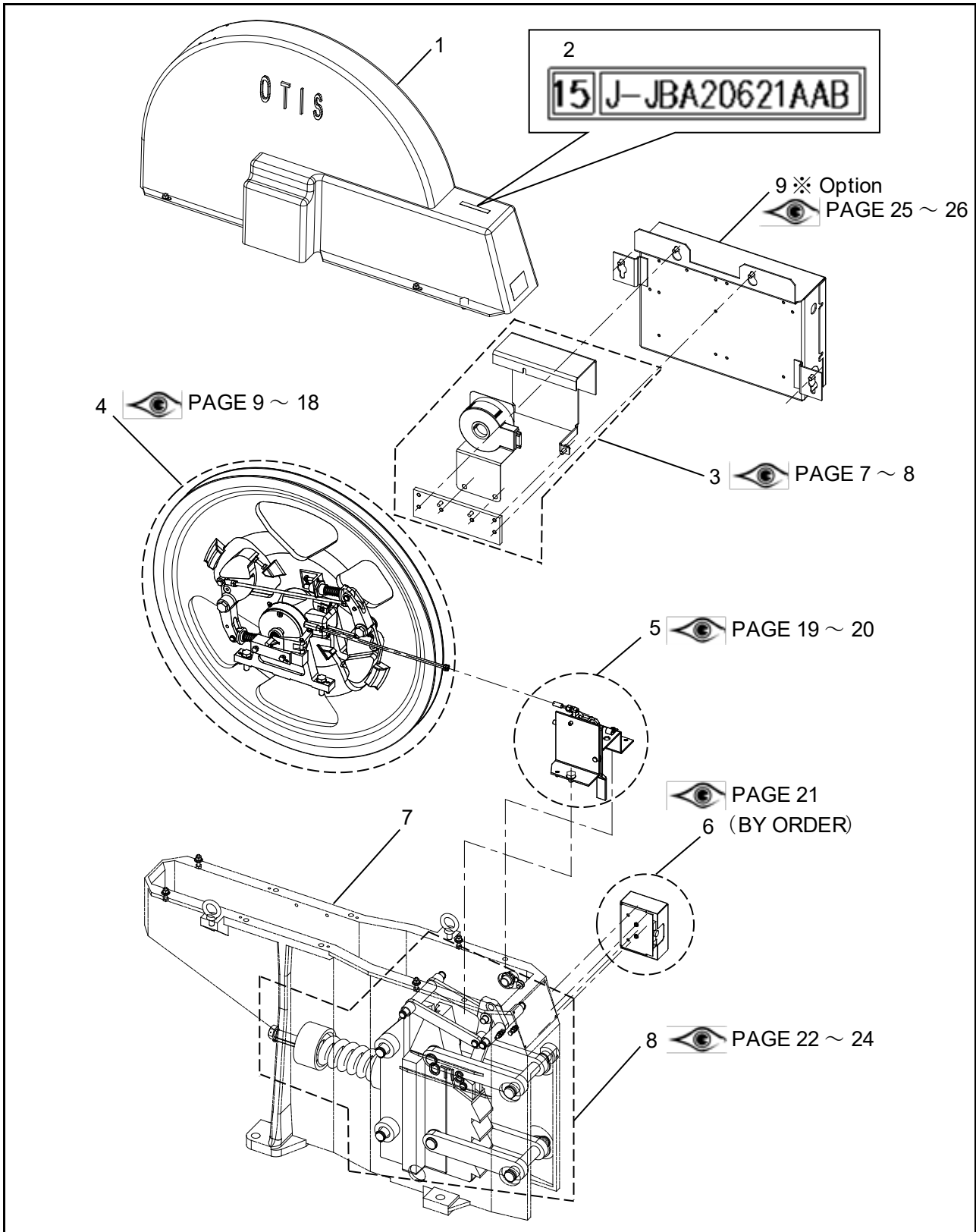
ASSEMBRY NO.				
JAA20621AAB_ JBA20621AAB_	DESCRIPTION	PRS ENCODER	HPRS ENCODER	JAW SW.
JBA20621AAB999,989,979	CAR GOVERNOR (MCS412)	WITH	---	W / O
JBA20621AAB998,988,978	CWT GOVERNOR STD	W / O	W / O	---
JBA20621AAB997,987,977	CAR GOVERNOR (MCS412)	WITH	---	WITH
JBA20621AAB996,986,976	CWT GOVERNOR	W / O	W / O	WITH
JBA20621AAB995,985,975	CAR GOVERNOR (HRES)	---	WITH { 8 PIN M12 } CONNECTOR	W / O
JBA20621AAB994,984,974	CAR GOVERNOR (HRES)	---	WITH { 8 PIN M12 } CONNECTOR	WITH
JBA20621AAB993,983,973	CAR GOVERNOR (HRES)	---	WITH { 5 PIN M12 } CONNECTOR	W / O
JBA20621AAB992,982,972	CAR GOVERNOR (HRES)	---	WITH { 5 PIN M12 } CONNECTOR	WITH

15-JAA20621AAB**TYPE AAB7063AH
GOVERNOR****ARRANGEMENT**








ASSEMBRY NO.	BEARING		TRIPPER		CODE
	SINGLE ROW ROLLER BEARING	SPHERICAL ROLLER BEARING	NORMAL TYPE	HIGH SPEED TYPE	
JBA20621AAB999	WITH	---	WITH	---	JIS, CSA
JBA20621AAB998	WITH	---	WITH	---	
JBA20621AAB997	WITH	---	WITH	---	CEN, GB, ANSI / CSA, KC
JBA20621AAB996	WITH	---	WITH	---	
JBA20621AAB995	WITH	---	WITH	---	JIS, CSA
JBA20621AAB994	WITH	---	WITH	---	CEN, GB, ANSI / CSA , KC
JBA20621AAB993	WITH	---	WITH	---	JIS, CSA
JBA20621AAB992	WITH	---	WITH	---	CEN, GB, ANSI / CSA, KC
JBA20621AAB989	---	WITH	WITH	---	JIS, CSA
JBA20621AAB988	---	WITH	WITH	---	
JBA20621AAB987	---	WITH	WITH	---	CEN, GB, ANSI / CSA, KC
JBA20621AAB986	---	WITH	WITH	---	
JBA20621AAB985	---	WITH	WITH	---	JIS, CSA
JBA20621AAB984	---	WITH	WITH	---	CEN, GB, ANSI / CSA , KC
JBA20621AAB983	---	WITH	WITH	---	JIS, CSA
JBA20621AAB982	---	WITH	WITH	---	CEN, GB, ANSI / CSA, KC
JBA20621AAB979	---	WITH	---	WITH	---
JBA20621AAB978	---	WITH	---	WITH	
JBA20621AAB977	---	WITH	---	WITH	
JBA20621AAB976	---	WITH	---	WITH	
JBA20621AAB975	---	WITH	---	WITH	
JBA20621AAB974	---	WITH	---	WITH	
JBA20621AAB973	---	WITH	---	WITH	
JBA20621AAB972	---	WITH	---	WITH	

TYPE AAB7063AH GOVERNOR

15-JAA20621AAB

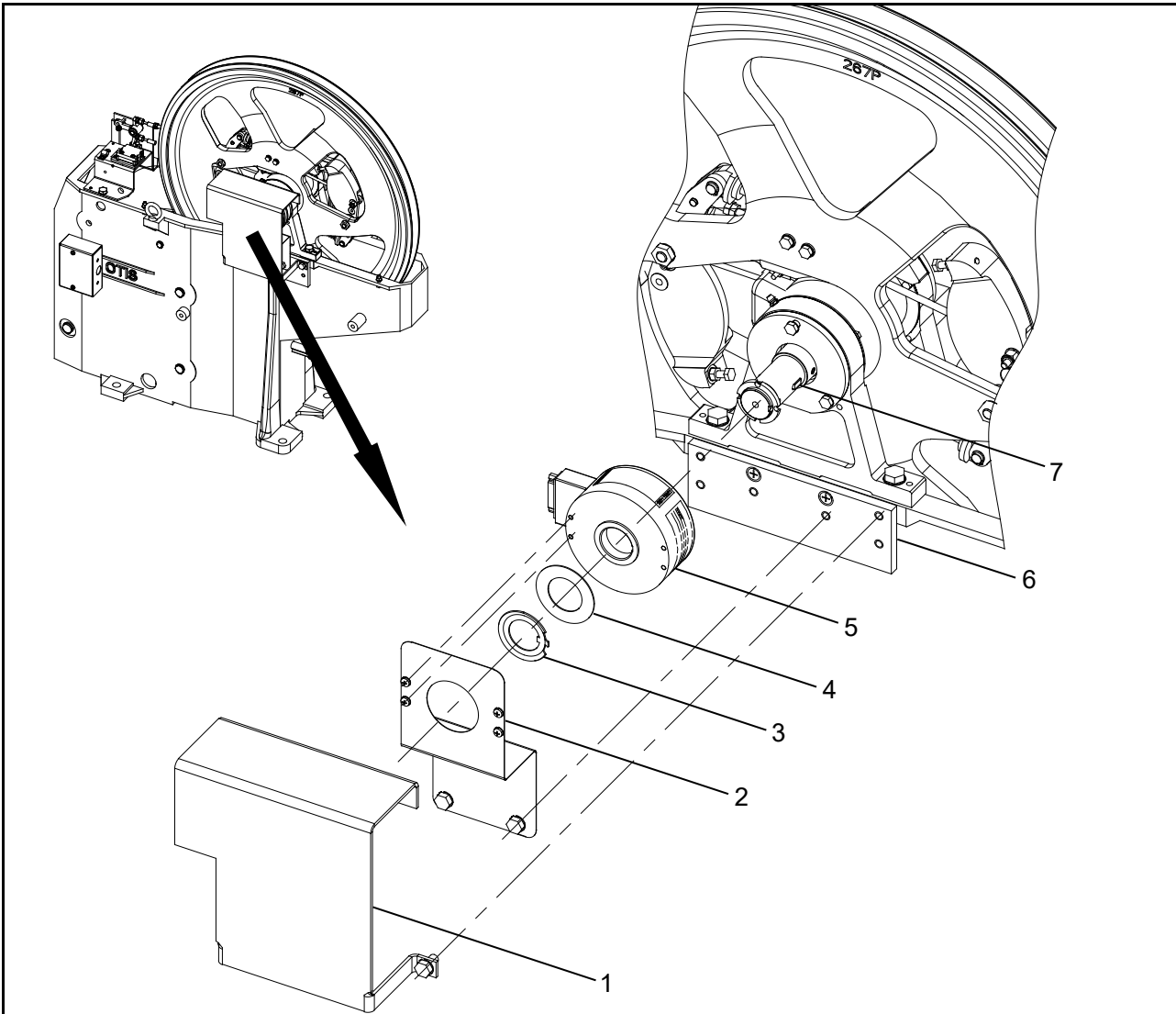


15-JAA20621AAB**TYPE AAB7063AH
GOVERNOR**

JAA20621AAB_ JBA20621AAB_		JAA20621AAB_ JBA20621AAB_		
REF. NO.	PART or ML	DESCRIPTION	USE for	REMARKS
1	346AHA1	COVER		
2	JAA102AXK2 JBA102AXK2	PLATE, DATA		
3	 Page 7	PRS ENCODER	999, 997 989, 987, 979, 977	BY ORDER
	 Page 8	HPRS ENCODER 8 PIN M12 CONNECTOR	995, 994 985, 984, 975, 974	
		HPRS ENCODER 5 PIN M12 CONNECTOR	993, 992 983, 982, 973, 972	
4	 Page 9~ 18	SHEAVE ASS'Y		
5	 Page 19, 20	TRIPPER ASS'Y		
6	 Page 21	JAW SWITCH ASS'Y	997, 996, 994, 992 987, 986, 984, 982 977, 976, 974, 972	
7	JAA471ALR2	STAND		
8	 Page 22~ 24	ROPE CLAMP ASS'Y		
9	 Page 25, 26	POSITION REFERENCE SYSTEM ASSEMBLY	(999, 997) (989, 987, 979, 977)	※ OPTION

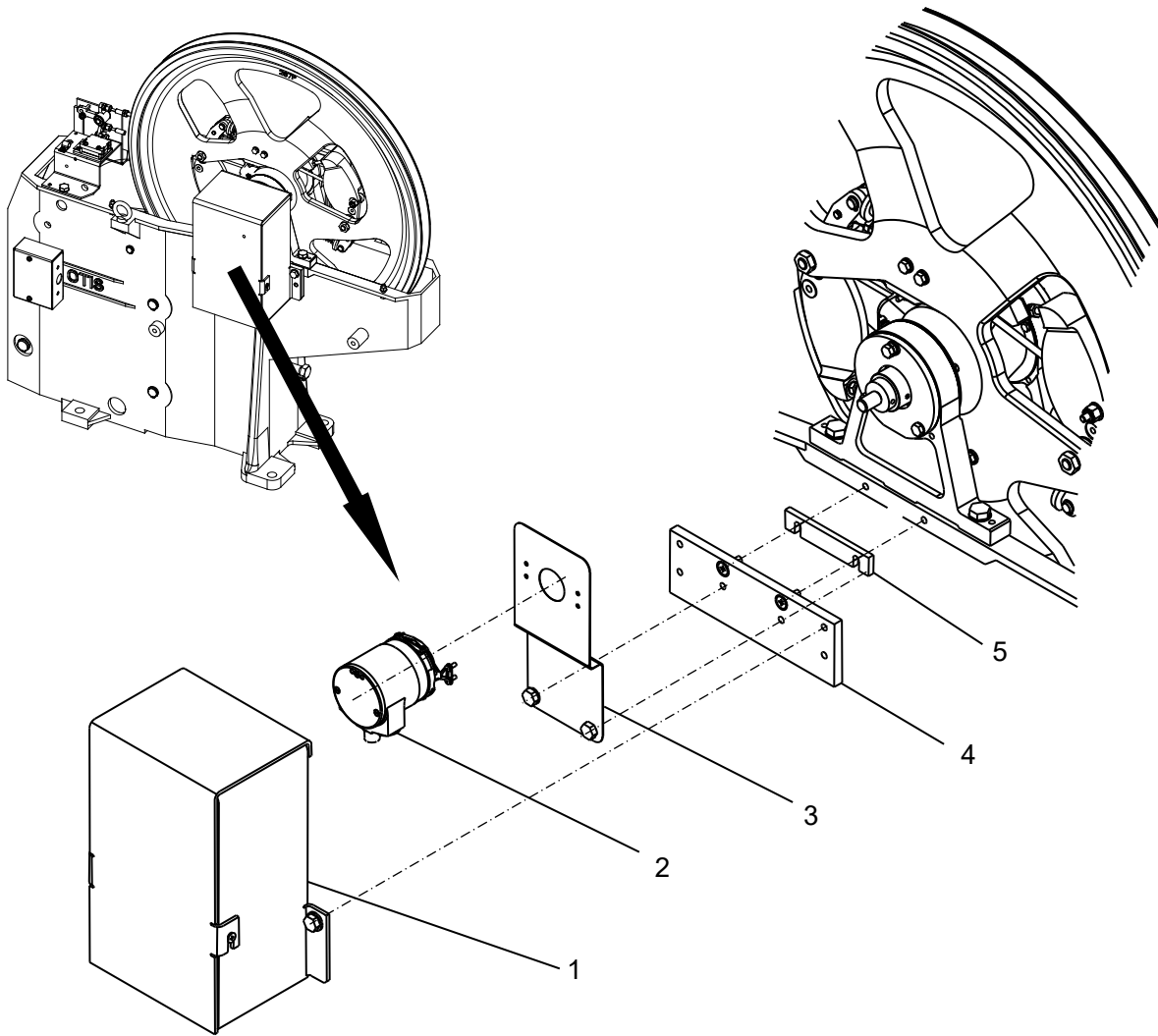
PRS ENCODER

15-JAA20621AAB



**JAA20621AAB305
JBA20621AAB305, 314**

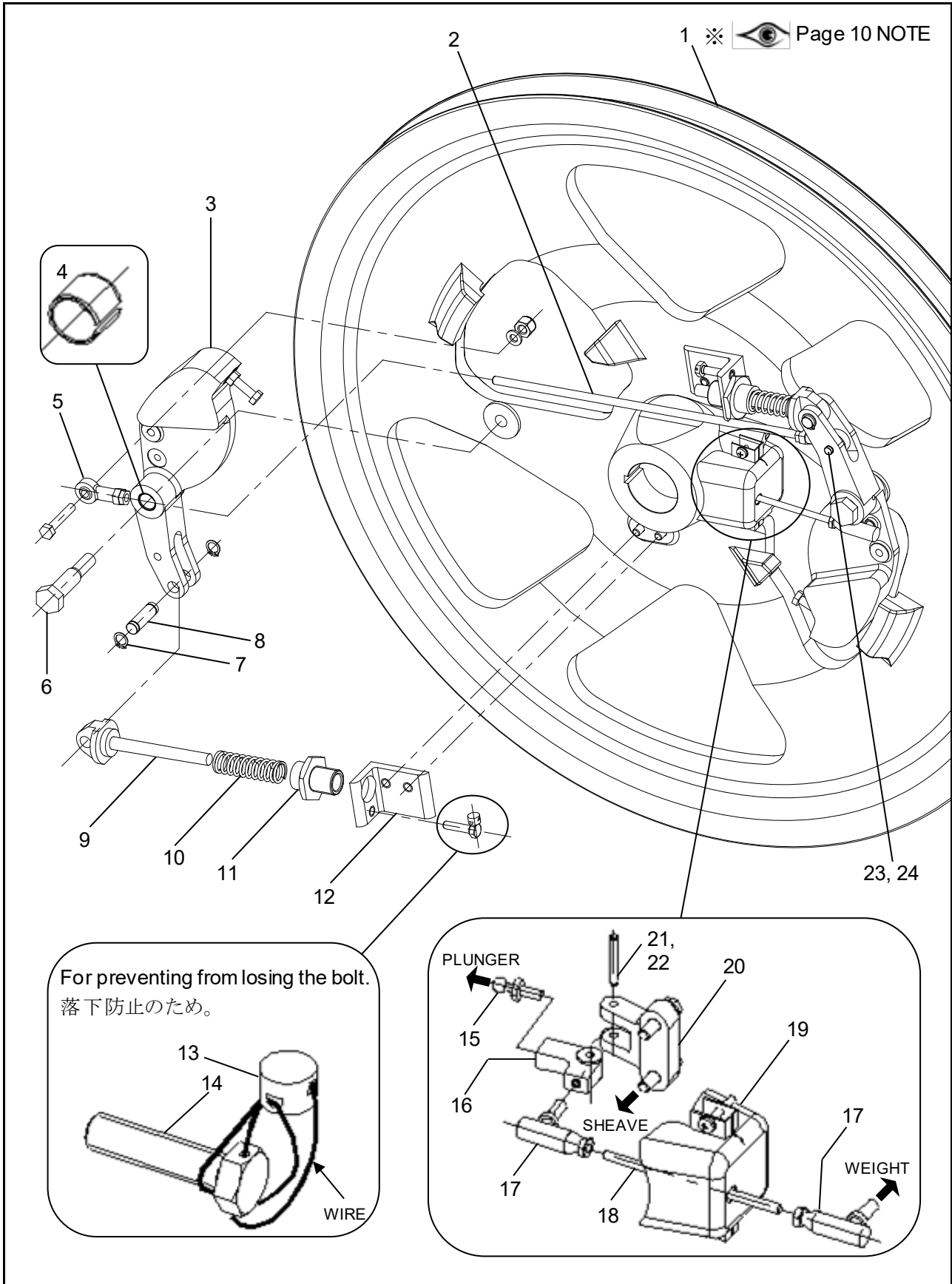
REF. NO.	PART or ML	DESCRIPTION
1	AAA384AEV3 JAA384AXJ1	GUARD ENCODER
2	AAA316XF3 JAA316RSE1	MOUNTING BRACKET
3	JAA130AAZ6	TAB LOCK WASHER
4	JAA127ACH1	WASHER
5	AAA633N1 JAA633ABK2 JBA633ABK2 JBB633ABK2	ENCODER
6	AAA386KXU1	PLATE
7	JO192P5	KEY



	JBA20621AAB_		JBA20621AAB_
REF. NO.	PART or ML	DESCRIPTION	USE FOR
1	KAA384ADK1	GUARD ENCODER	
2	KAA633AAB1 (8 PIN M12 CONNECTORE)	ENCODER W / PRS	307, 310
	KAA633AAB2 (5 PIN M12 CONNECTORE)		309, 312
3	KAA316BGR2	MOUNTING BRACKET	
4	AAA386KXU1	PLATE	
5	JAA386LYC1	PLATE	310, 312


SHEAVE ASS'Y — 1

15-JAA20621AAB



15-JAA20621AAB

SHEAVE ASS'Y — 1

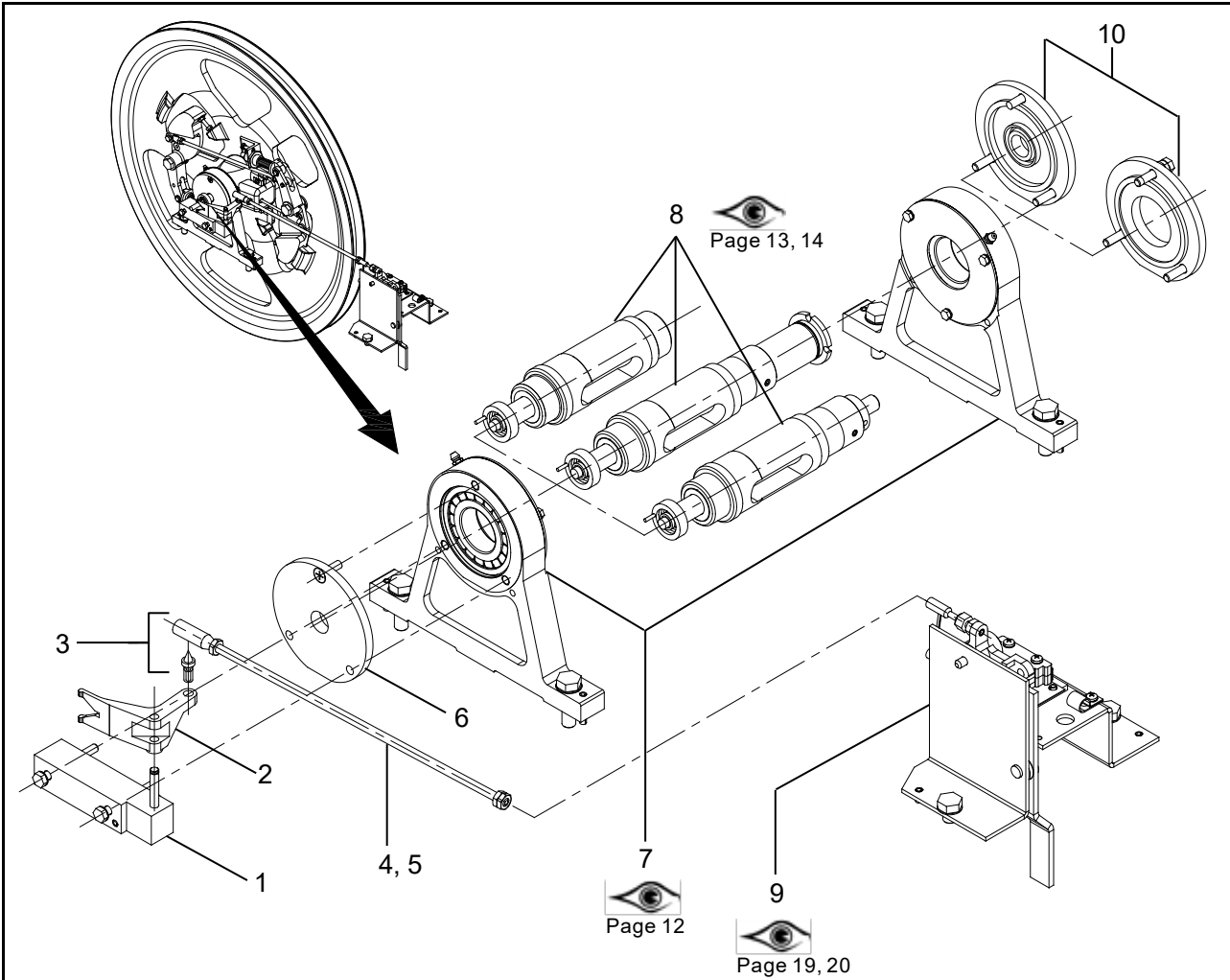
		W / O Vintage		
REF. NO.	PART or ML	DESCRIPTION	REMARKS	QTY.
1	267P4 JAA267AAK4 JBA267AAK4 JBB267AAK4 JAA267AAS1	SHEAVE	※  NOTE	1
2	JX96H197	ROD		1
3	JX344BB501	WEIGHT	Car Speed mps 6-9	BY ORDER
	JAA344ACH2		Car Speed mps 10-12.5	
4	335AB2	BUSHING OILLESS		4
5	JX212AA1	BEARING, ROD END		2
6	JX59BL2	BOLT		2
7	172DE20	RING		4
8	77JP5	PIN		2
9	79BN1	PIN, SHOULDERED		2
10	90BT1	SPRING	Car Speed mps 6	BY ORDER (※ Contact to OSCJ P.C.)
	JX90BC11		Car Speed mps 7	
	JX90BC11		Car Speed mps 8	
	JAA90AFB1		Car Speed mps 9	
	90CX5		Car Speed mps 10-12.5	
11	65DD2	BOLT		2
12	JX272AXK1	ANGLE		2
13	JAA431AAV1	LOCK		2
14	JX58AD45	BOLT		2
15	124BS1	BALL, SCREW		1
16	307AX1	BELL CRANK		1
17	307AY1	LEVER, SWIVEL		2
18	96H198	ROD		1
19	346AFT2	COVER		1
20	316CGH1	BRACKET		1
21	77JP18	PIN		1
22	172DE26	RING		2
23	JX77JP13	PIN		1
24	172DE25	RING		3

※ NOTE) Sheave should be replaced by assembly.
(J_A20621AAB304, 306, 308, 311, 313, 315)

SHEAVE ASS'Y - 2

SINGLE ROW ROLLER BEARING

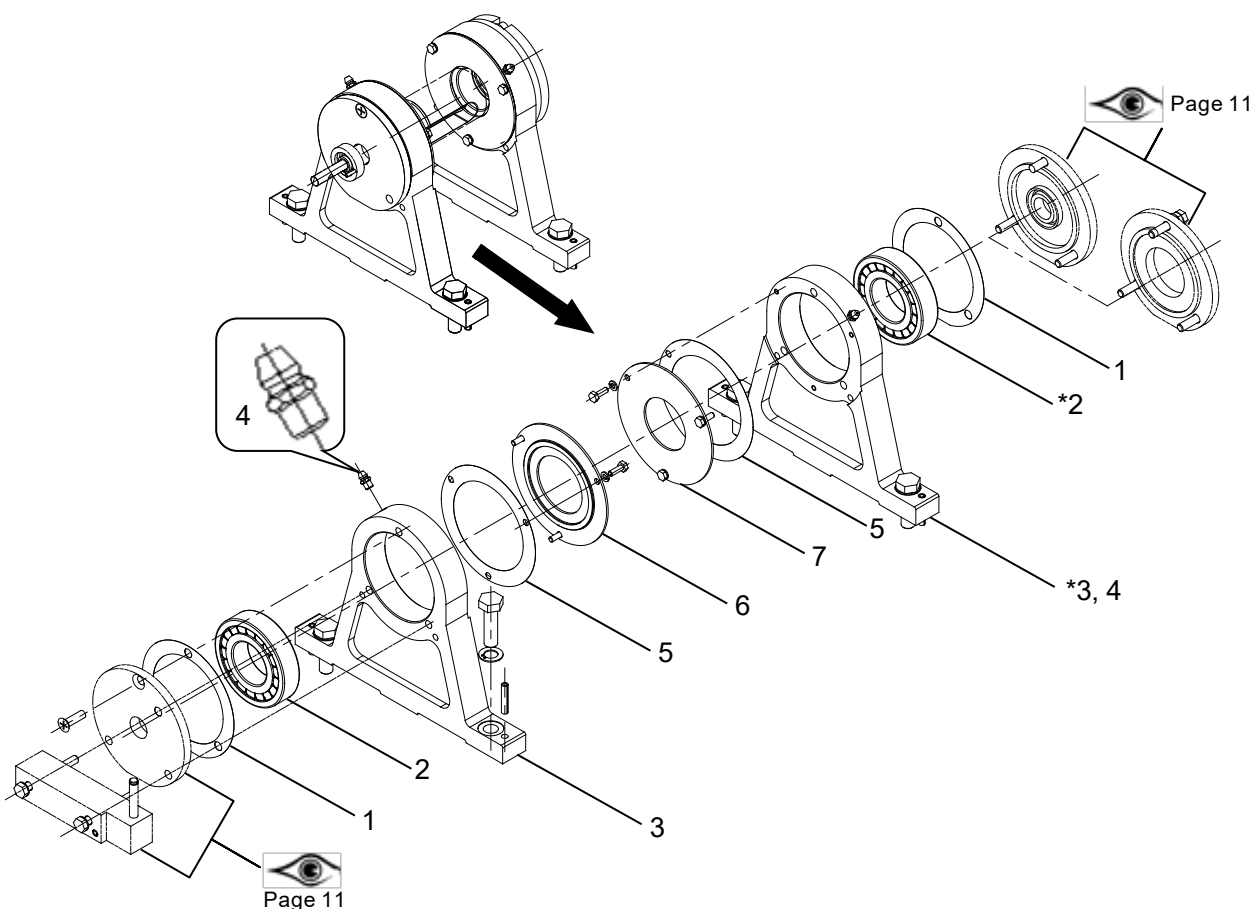
15-JAA20621AAB



REF. NO.	W / O Vintage	DESCRIPTION	JAA20621AAB- JBA20621AAB	QTY.
	PART or ML		USE for	
1	462FX2	SPACER		1
2	307BC1	BELL CRANK LEVER		1
3	307AY2	LEVER, SWIVEL		1
4	96CJ2	ROD		1
5	NS1 / 4 - 28	UNF NUT		3
6	346AFN2	COVER		1
7	Page 12	BEARING STAND & PARTS		2
8	Page 13, 14	SHAFT & PLUNGER		1
9	Page 19, 20	TRIPPER ASS'Y		1
10	346AFN2	COVER	998, 996	1
	JAA346BKC4 AAA346AXE1		999, 997, 995, 994, 993, 992	

15-JAA20621AAB

SHEAVE ASS'Y - 2 SINGLE ROW ROLLER BEARING



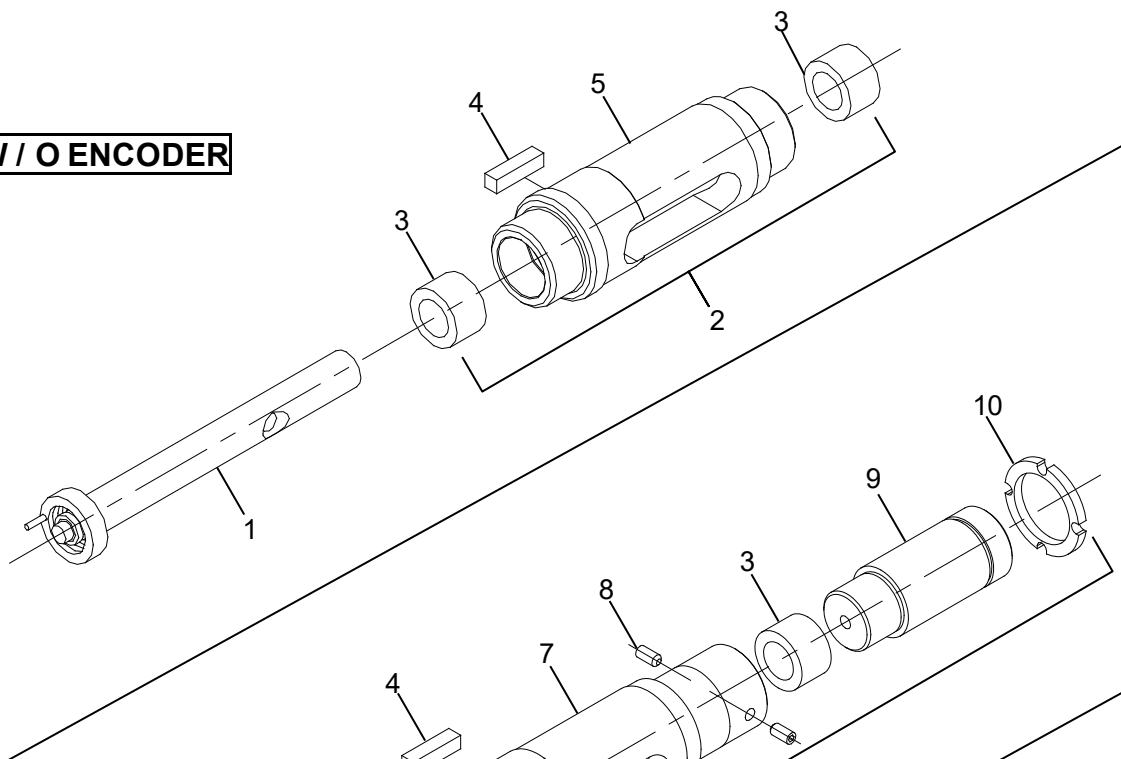
W / O Vintage

REF. NO.	PART or ML	DESCRIPTION	QTY.
1	376EJ1	GASKET	4
2	207Z22 JAA209ACB1	BALL BEARING ROLLER BEARING	2
3	472ES4 JAA472AAV1 JBA472AAV1	STAND	2
4	JAA435AAH1	FITTING LUBRICATOR	2
5	JAA376ABD1	GASKET	4
6	JAA346BWM2	COVER	1
7	JAA346BWM1	COVER	1

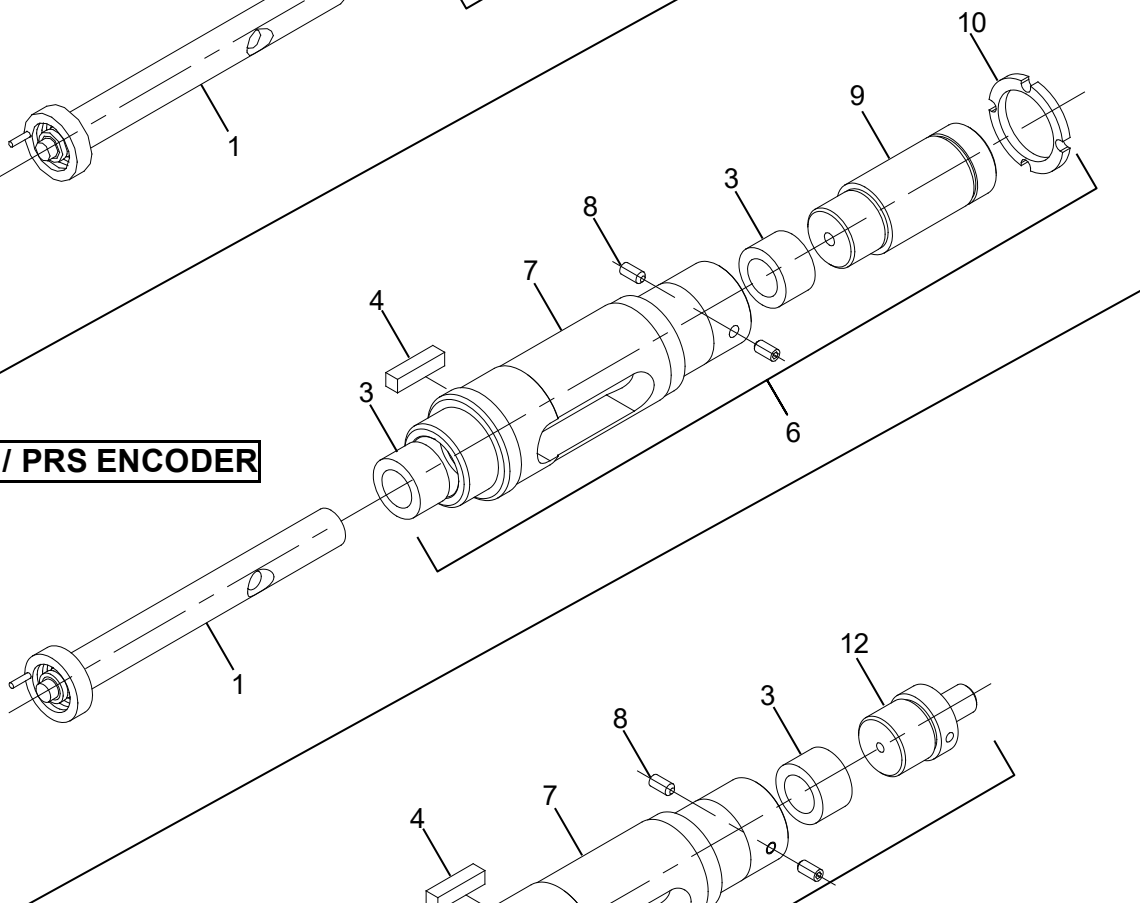
SHAFT & PLUNGER SINGLE ROW ROLLER BEARING

15-JAA20621AAB

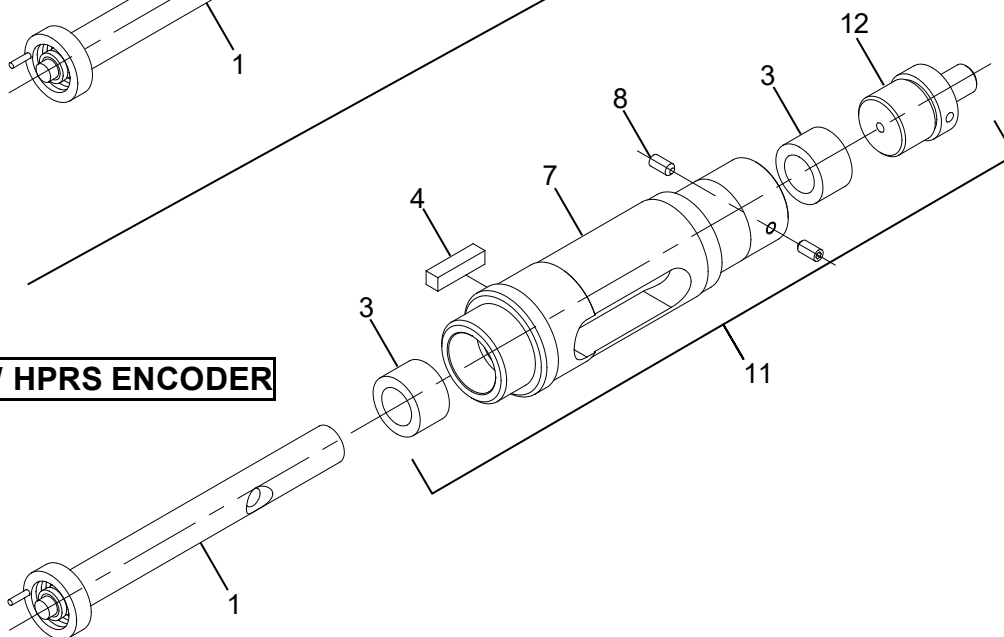
W / O ENCODER



W / PRS ENCODER



W / HPRS ENCODER



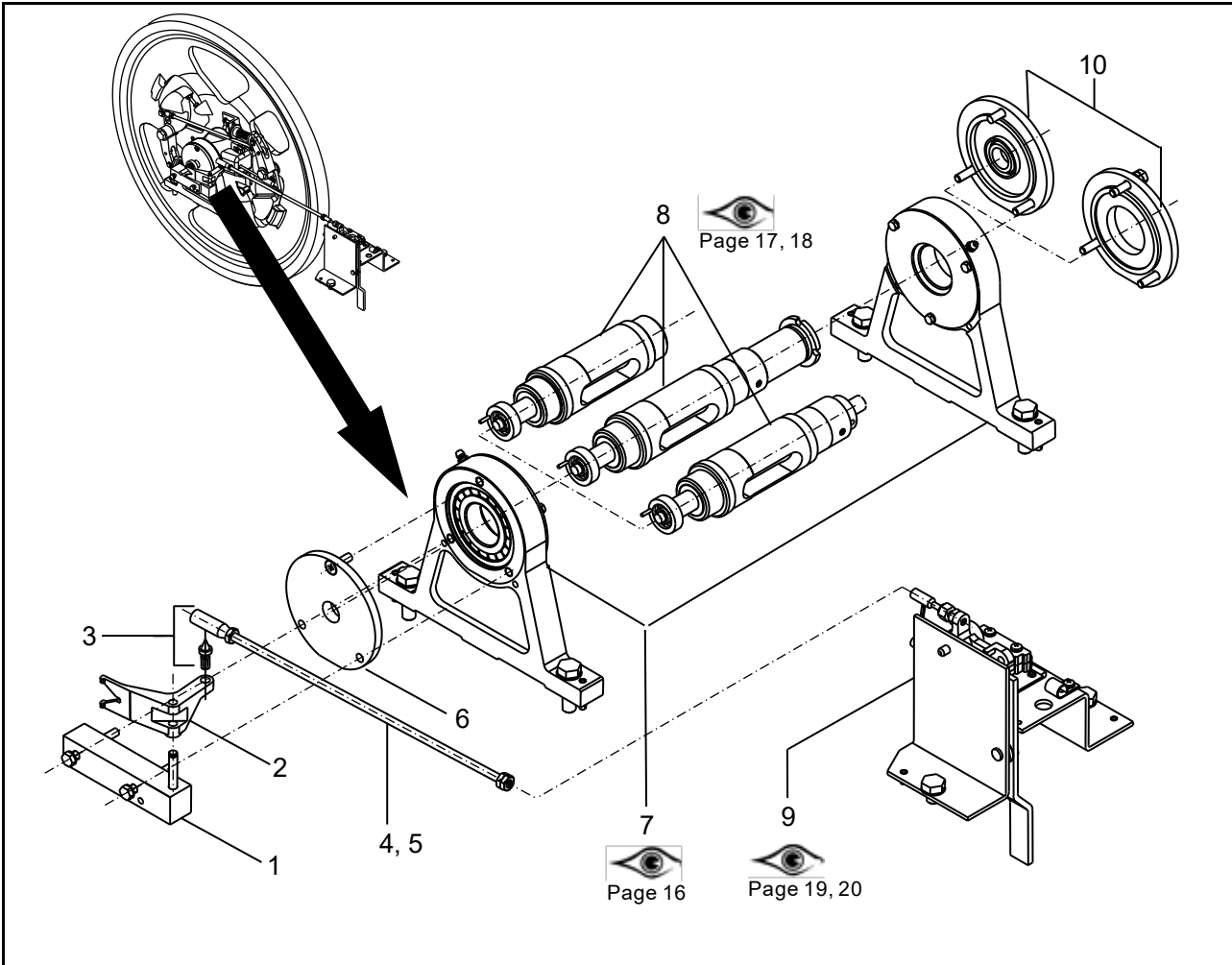
15-JAA20621AAB**SHAFT & PLUNGER
SINGLE ROW ROLLER BEARING**

	W / O Vintage		JAA20621AAB_ JBA20621AAB_
REF. NO.	PART or ML	DESCRIPTION	USE for
1	445BT8	PLUNGER	
2	495CJ2	SHAFT	998, 996
3	335E98	BUSHING	
4	192E18	KEY	
5	495CJ1	SHAFT (W / O Ref.No.3)	
6	JAA495ADB1	SHAFT	999, 997
7	AAA495ED1	SHAFT	999, 997, 995, 994, 993, 992
8	HCM05X010	M5X10 HEX SOCKET CUP POINT SCREW	
9	AAA180FW1	SHAFT, EXTENSION	999, 997
10	72FJ3	M30X1.5 LOCKNUT	
11	JAA495ADB2	SHAFT	995, 994, 993, 992
12	KAA180ABA1	SHAFT, EXTENSION	

SHEAVE ASS'Y – 2

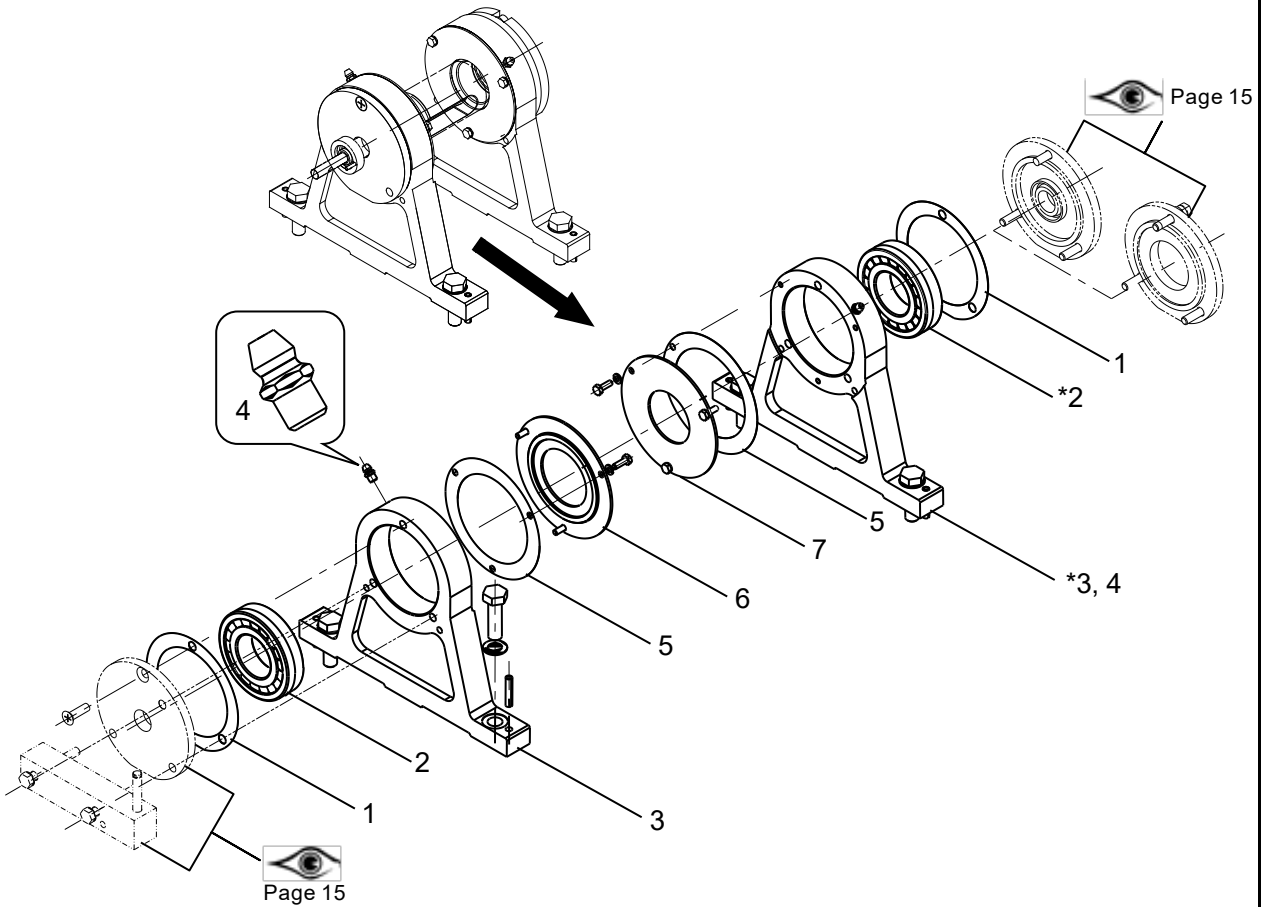
SPHERICAL ROLLER BEARING

15-JAA20621AAB



	W / O Vintage		JBA20621AAB	
REF. NO.	PART or ML	DESCRIPTION	USE for	QTY.
1	JAA462BBB2	SPACER		1
2	307BC1	BELL CRANK LEVER		1
3	307AY2	LEVER, SWIVEL		1
4	96CJ2	ROD		1
5	NS1 / 4 - 28	UNF NUT		3
6	346AFN2	COVER		1
7	Page 16	BEARING STAND & PARTS		2
8	Page 17, 18	SHAFT & PLUNGER		1
9	Page 19, 20	TRIPPER ASS'Y		1
10	346AFN2	COVER	988, 986, 978, 976	1
	AAA346AXE1		989, 987, 985~982	
			979, 977, 975~972	

**SHEAVE ASS'Y—2
SPHERICAL ROLLER BEARING**

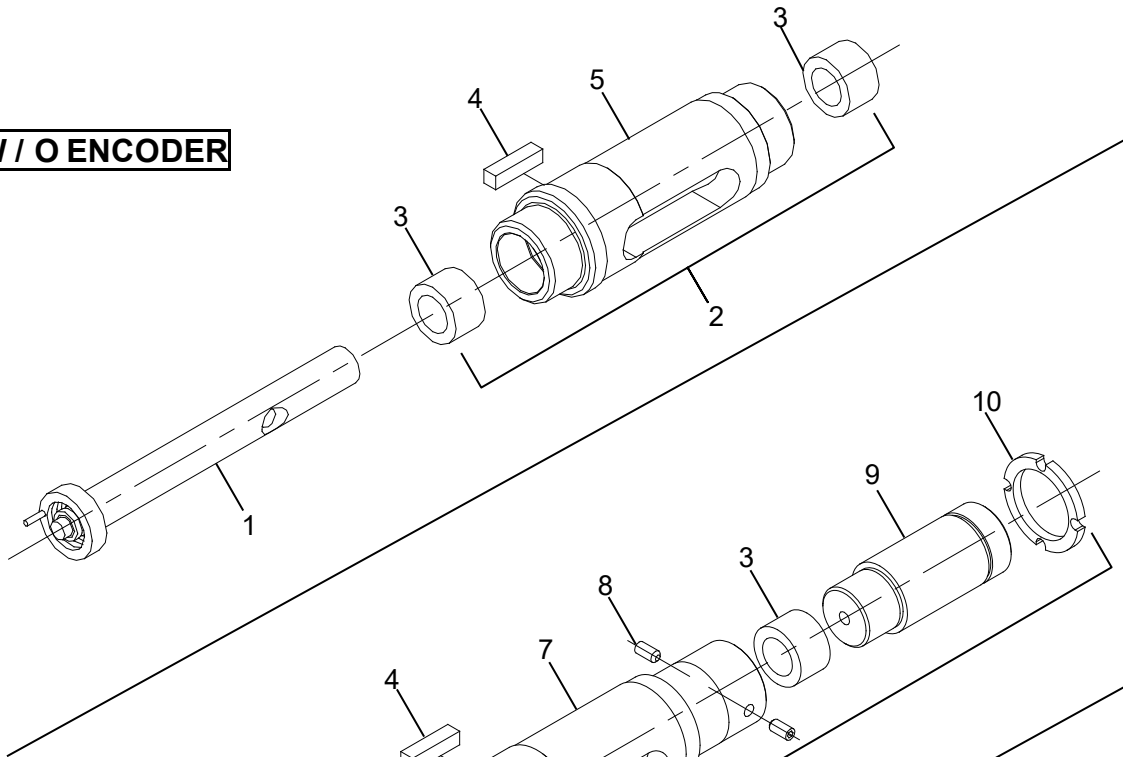


W / O Vintage			
REF. NO.	PART or ML	DESCRIPTION	QTY.
1	376EJ1	GASKET	4
2	JAA209ACG1	ROLLER BEARING	2
3	JBA472AAV2	STAND	2
4	JAA435AAH1	FITTING LUBRICATOR	2
5	JAA376ABD1	GASKET	4
6	JAA346BWM2	COVER	1
7	JAA346BWM1	COVER	1

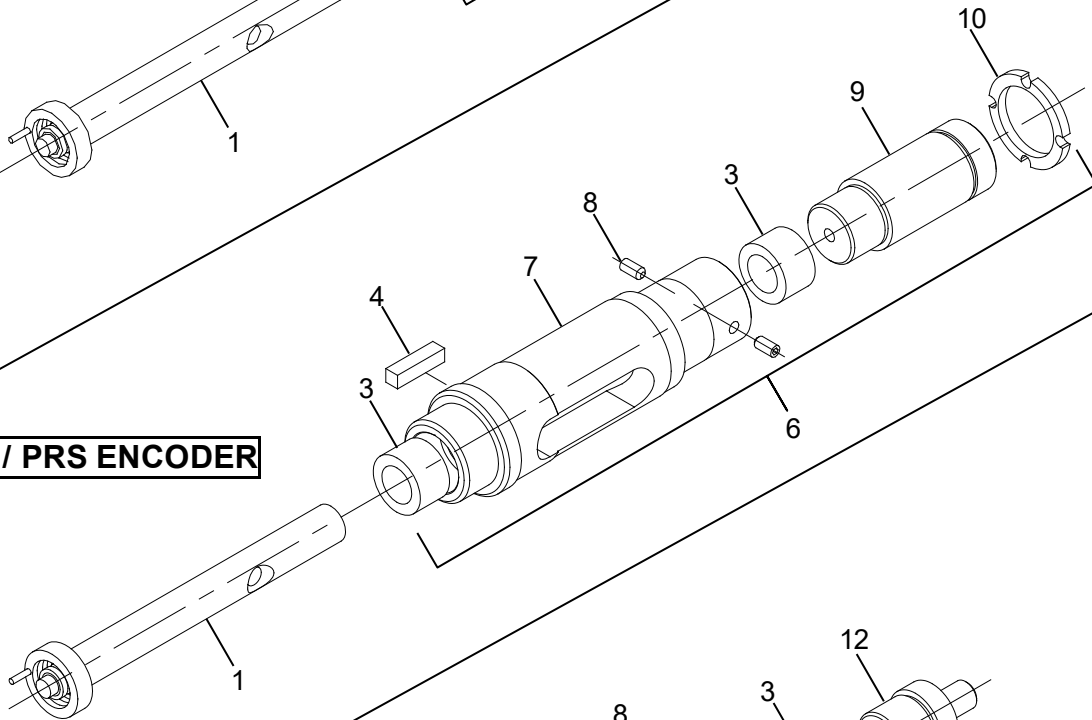
SHAFT & PLUNGER SPHERICAL ROLLER BEARING

15-JAA20621AAB

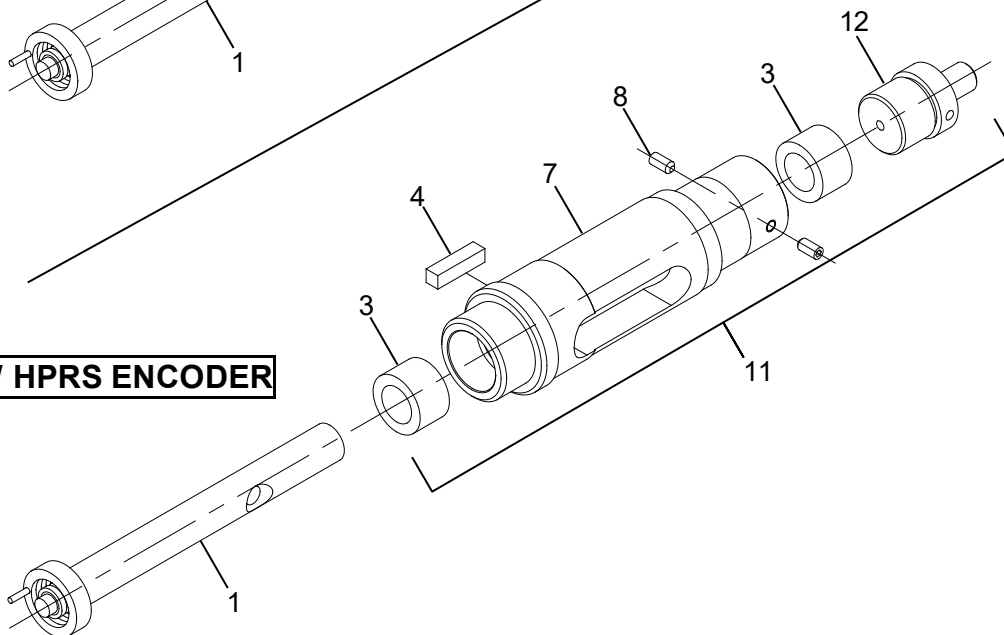
W / O ENCODER



W / PRS ENCODER



W / HPRS ENCODER

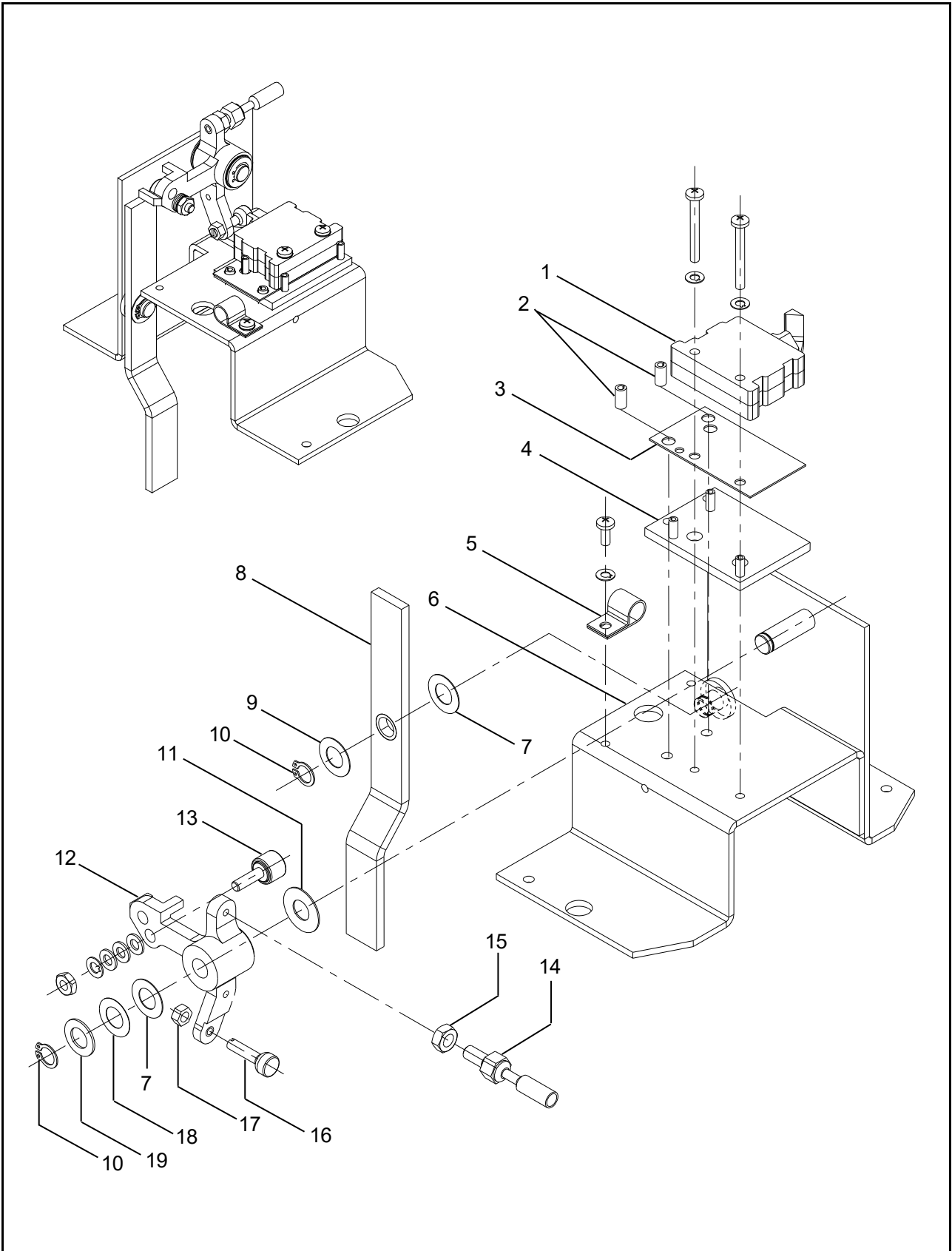


15-JAA20621AAB**SHAFT & PLUNGER
SPHERICAL ROLLER BEARING**

	W / O Vintage		JBA20621AAB_
REF. NO.	PART or ML	DESCRIPTION	USE for
1	JAA445AAG2	PLUNGER	
2	JAA495ADB5	SHAFT	988, 986, 978, 976
3	335E98	BUSHING	
4	192E18	KEY	
5	JAA495AET2	SHAFT	
6	JAA495ADB4	SHAFT	989, 987, 979, 977
7	JAA495AET1	SHAFT	
8	HCM05X010	M5X10 HEX SOCKET CUP POINT SCREW	989, 987, 985~982 979, 977, 975~972
9	AAA180FW1	SHAFT, EXTENSION	
10	72FJ3	M30X1.5 LOCKNUT	989, 987, 979, 977
11	JAA495ADB3	SHAFT	985~982
12	KAA180ABA1	SHAFT, EXTENSION	975~972

TRIPPER ASSEMBLY

15-JAA20621AAB



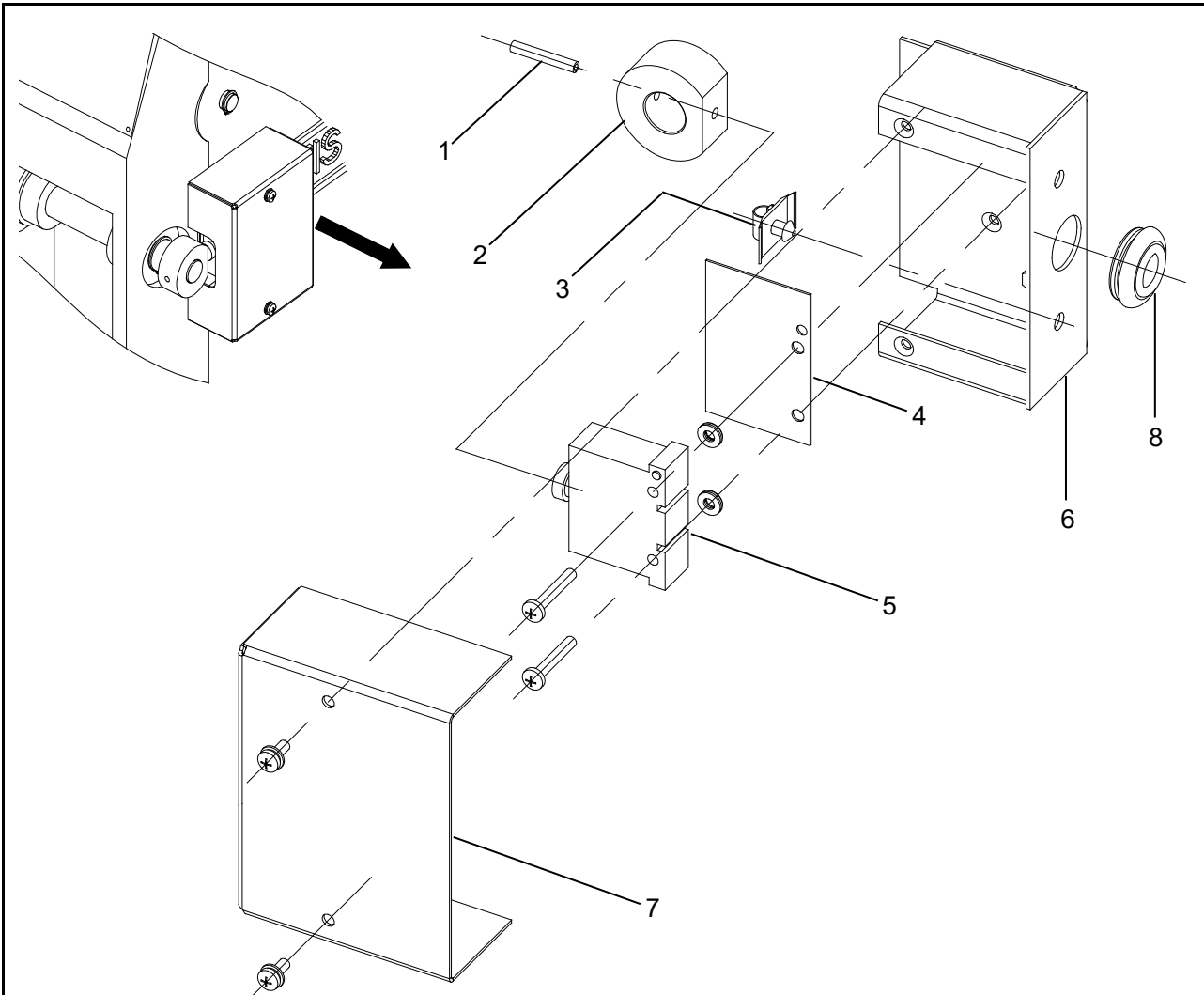
15-JAA20621AAB**TRIPPER ASSEMBLY**

JAA20621AAC1
JBA20621AAC1, 3

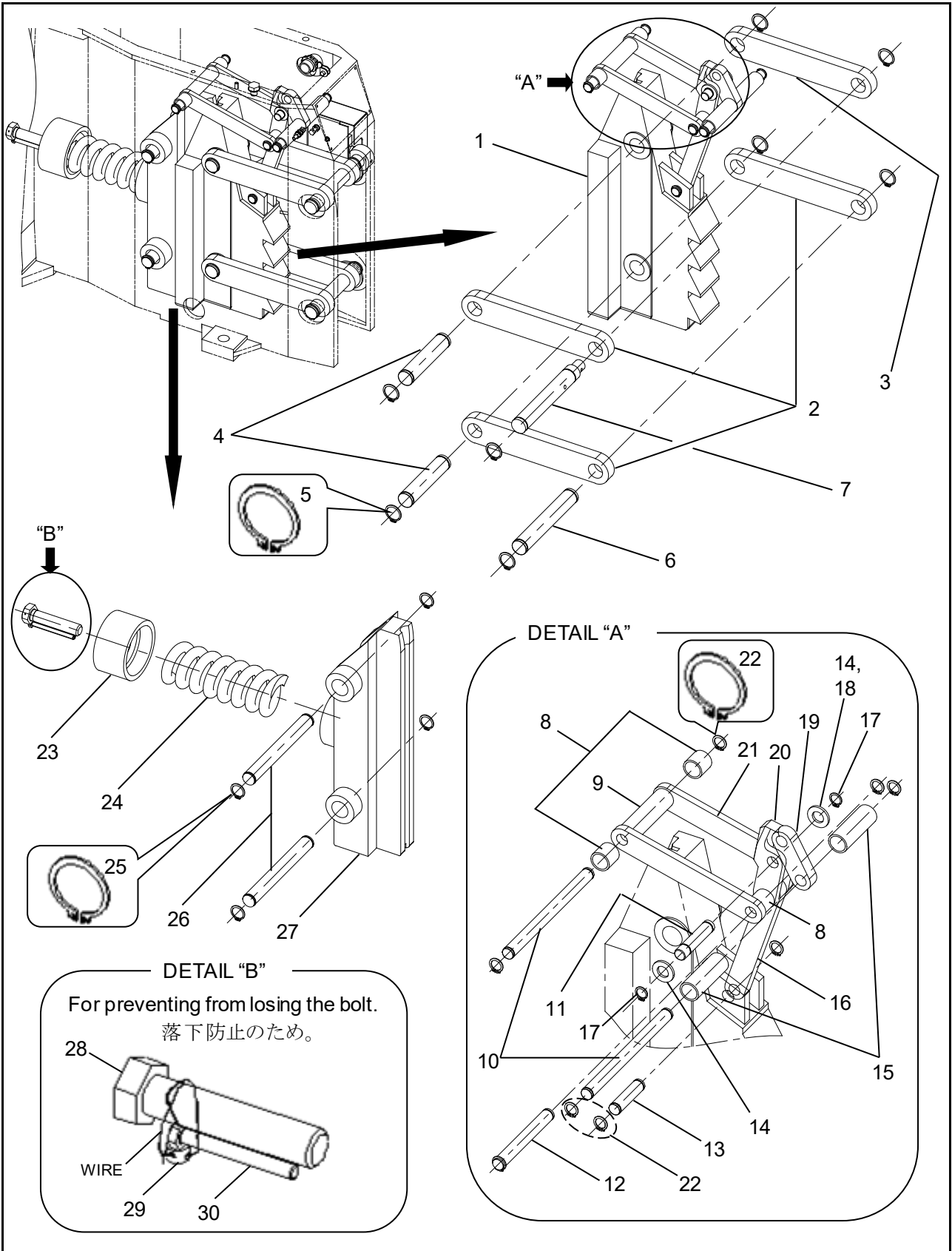
REF. NO.	PART or ML	DESCRIPTION	REMARKS
1	7035A106	ASSEMBLY, PUSH BUTTON	
2	PS5.0X10	M5X10 ROLL SPRING PIN	
3	JAA278ABP1 JX278BL502	SHIELD INSULATING	
4	JAA255AMM1 JAA316TJA1	BRACKET	
5	336CZ9	CLIP	
6	JAA316HTP1	BRACKET	
7	128AF18	WASHER, NON – FERROUS	
8	A288MT1	LEVER	TRIPPER NOMAL TYPE (JBA20621AAC1)
	JAA288BCB1	LEVER	TRIPPER HIGH SPEED TYPE (JBA20621AAC3)
9	JAA128AAC1 128AF18	WASHER, NON – FERROUS	
10	172DE20	RETAINING RING	
11	JAA128AAC2	WASHER, NON – FERROUS	
12	288PW1	LEVER	
13	JAA207AAT1	BRARING	
14	AAA708A1	BALL JOINT, SWIVEL	
15	NS1 / 4 – 28	1 / 4 – 28 UNF NUT	
16	65FD1	BOLT	
17	NSM05	M5 HEX FULL NUT	
18	JAA255AXJ1	SHIM	
19	JAA128AAC2 JAA128AAC1	WASHER, NON – FERROUS	

JAW SWITCH

15-JAA20621AAB



W / O Vintage			
REF. NO.	PART or ML	DESCRIPTION	QTY.
1	PS4.0X25	SPRING PIN	1
2	JAA327AFX1	CAM	1
3	JAA339AFX4	CABLE CLIP	1
4	278BL1	SHIELD, INSULATING	1
5	7035A116	SWITCH	1
6	JAA285AWT3 JBA285AWT3	COVER	1
7	JAA285AWT2 JBA285AWT2	COVER	1
8	JAA00321AAA004 JAA00321ABA009	BUSHING	1



ROPE CLAMP ASSEMBLY

15-JAA20621AAB

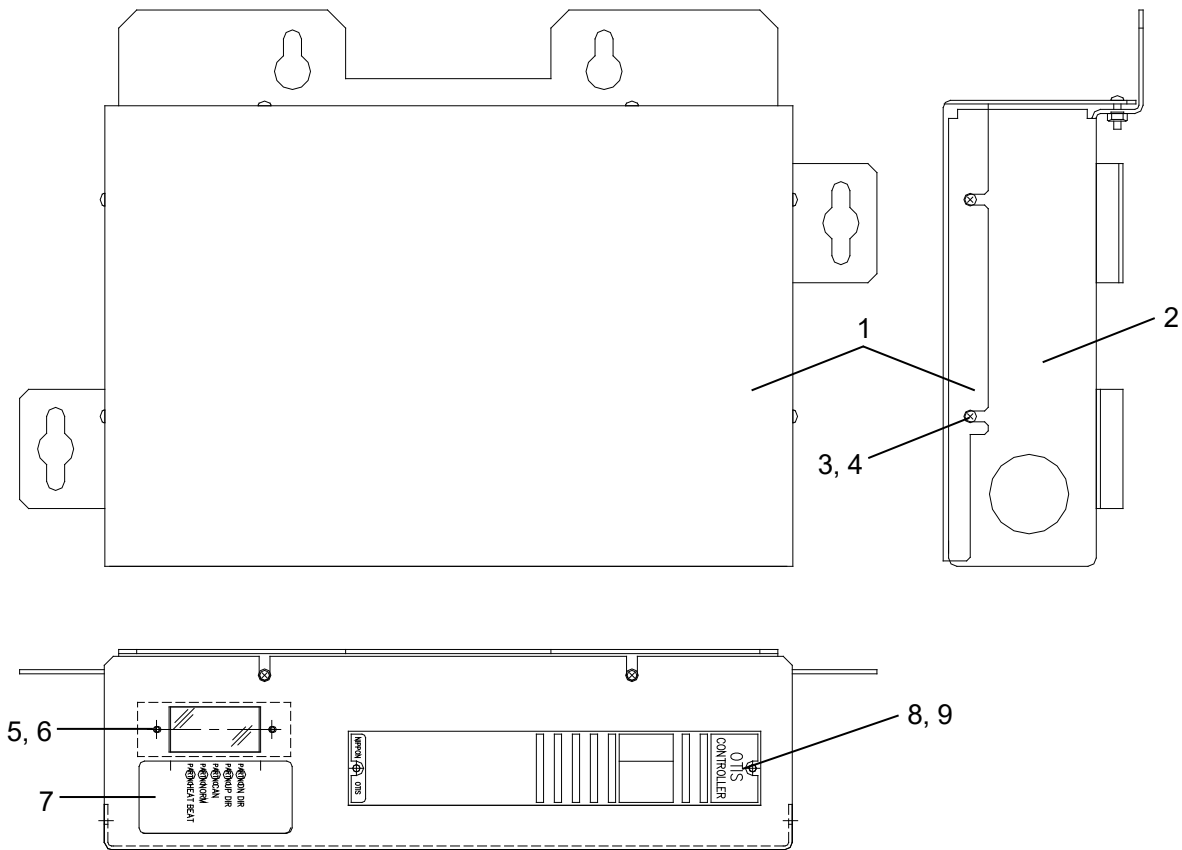
	W / O Vintage		JAA20621AAB_ JBA20621AAB_	
REF. NO.	PART or ML	DESCRIPTION	USE for	QTY.
1	398AK1 JAA398AAK1	JAW		1
2	430TA49	LINK		3
3	430TA49	LINK	999, 998, 995, 993 989, 988, 985, 983 979, 978, 975, 973	1
	JAA430ACF1 JBA430ACF1		997, 996, 994, 992 987, 986, 984, 982 977, 976, 974, 972	1
4	77JP20	PIN		2
5	RTC22S	RING		8
6	77JP19	PIN		1
7	77JP19	PIN	999, 998, 995, 993 989, 988, 985, 983 979, 978, 975, 973	1
	JAA81AXK1 JBA81AXK1		997, 996, 994, 992 987, 986, 984, 982 977, 976, 974, 972	
8	462HA82	SPACER		4
9	462HA84	SPACER		1
10	77JP22	PIN		2
11	77JX2 JAA81AZP1	PIN		1
12	77JP23	PIN		1
13	77JP24	PIN		1
14	RWS12	M12 RD WASHER		2
15	462HA83	SPACER		2
16	430TA51	LINK		1
17	RTC12S	RING		2
18	172DR2 JO462AM2	RING		4 5
19	430TA50	LINK		1
20	446AK1 JAA446AAP1	TRIPPER CRANK		1

15-JAA20621AAB**ROPE CLAMP ASSEMBLY**

	W / O Vintage		JAA20621AAB_ JBA20621AAB_	
REF. NO.	PART or ML	DESCRIPTION	USE for	QTY.
21	430TA52	LINK		2
22	172DE11	RING		8
23	133BE1	SPRING SEAT WASHER		1
24	90HD12	SPRING		1
25	RTC19S	RING		4
26	77JP21	PIN		2
27	398AL1 JAA398AAL1	JAW		1
28	JX58AD61	FIN HEX BOLT		1
29	JAA431AAV1	LOCK		1
30	JAA65ALD1	FIN HEX BOLT		1

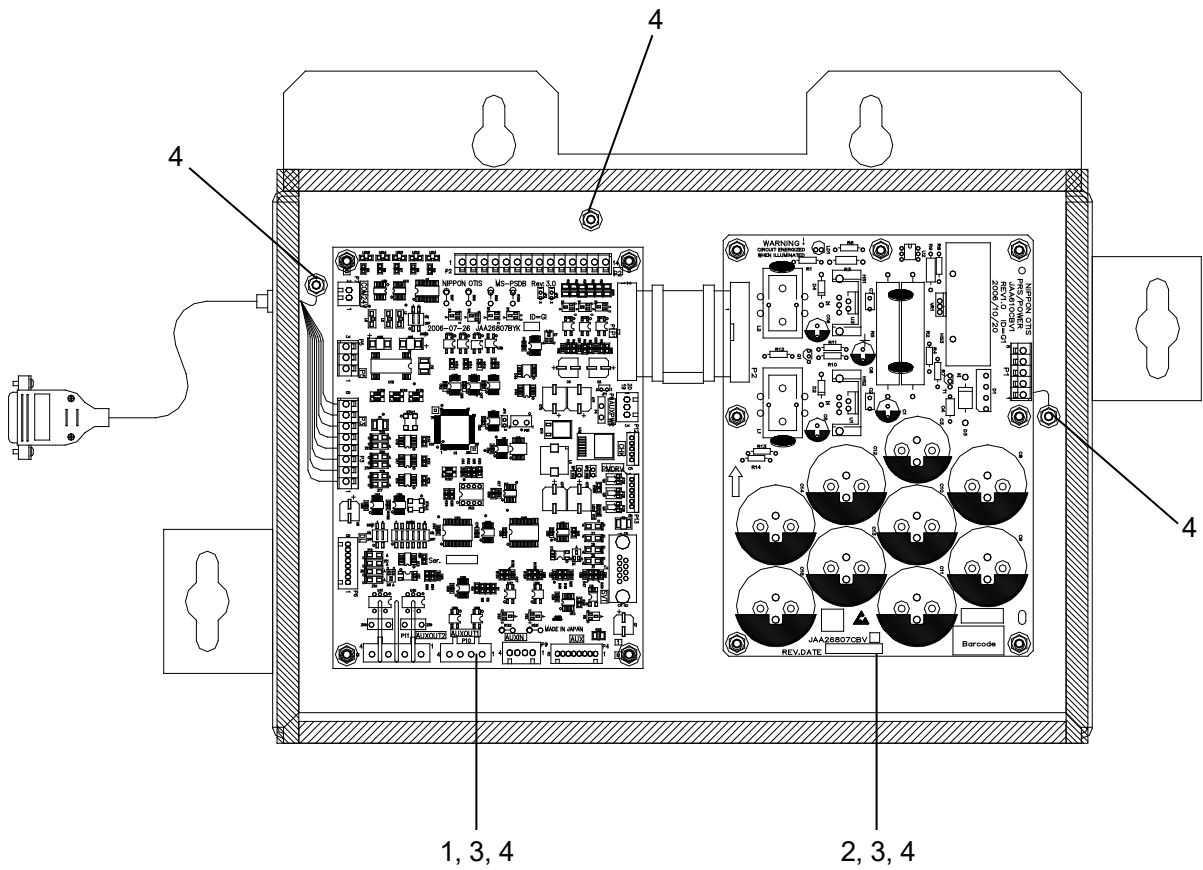
PRS BOX

15-JAA20621AAB



※ JAA21430AAH1 : FIN. E-82G”D”
 ※ JAA21430AAH2 : FIN. UT-BLUE
 (RAL 5019)

		JAA21430AAH_			
		1	2		
REF. NO.	PART or ML		DESCRIPTION		QTY.
1	JAA346CCT1	JAA346CCT2	COVER		1
2	JAA346CCS 1	JAA346CCS 2	BASE		1
3	PSM04X016-RL		M4X16 PAN HD SCREWW / RL		6
4	RWS04		M4 PLAIN WASHER		6
5	JAA443ANE1		LENS		1
6	BRP3.2X08.0		BLIND RIVET		2
7	JAA102BLC1		PLATE, DATA		1
8	JX102BC1		PLATE, NAME		1
9	JO145B1		NYLON RIVET		2



JAA21430AAH				
		1	2	
REF. NO.	PART or ML	DESCRIPTION		QTY.
1	JAA26807BYK1	MS-PSDB		1
2	JAA26807CBV1 JAA26807CBV2	PRS POWER SUPPLY		1
3	JO354AL12	DISTANFE PIECE (L=15mm)		11
4	FNM04	M4 HEX NUT		13