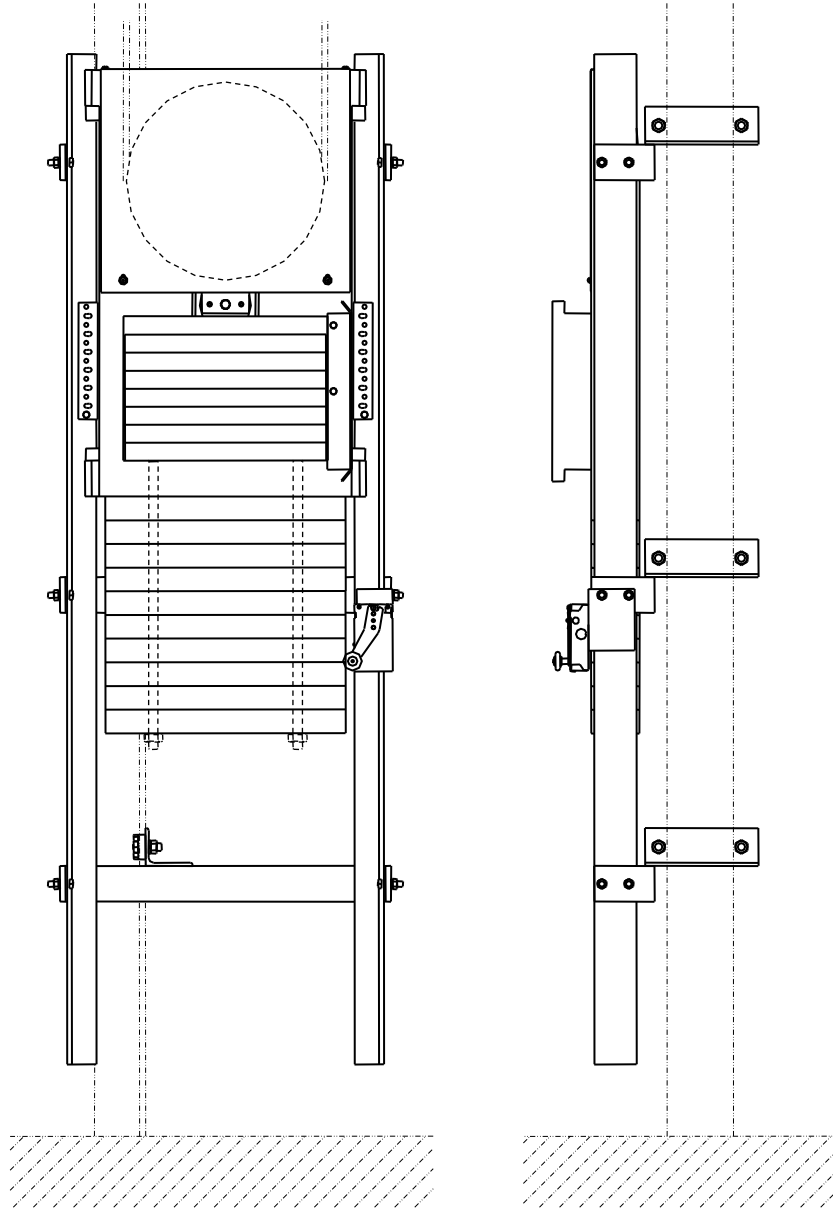


**TYPE 7063E / F / AH
CWT. GOVERNOR
TENSION FRAME**

Spare Parts Leaflet

15-JAA22703AAP

July 21, 2015 / Page 1 of 4



Unpublished Work—© Otis Elevator Co.; 2015

OTIS

Safety First!

SERVICE ENGINEERING

**Otis Elevator Company
Shibayama Factory, Japan**

History
15-JAA22703AAP
First Published: January 30, 2014

TYPE 7063E / F / AH CWT. GOVERNOR TENSION FRAME
--

REVISED DATE	AUTHOR	PRIMARY REASON FOR REVISION
January 30, 2014	Yamaoka, Takayuki	New SPL
February 4, 2014	Yamaoka, Takayuki	ERROR CORRECTED
April 23, 2014	Yamaoka, Takayuki	Added sheave and gib
July 21, 2015	Yamaoka, Takayuki	Updated. JAA22703AAP ⇒ JBA Changed document title. (added type "E" "AH")

Leaflet Description

This leaflet provides spare parts information for the JBA22703AAP version of the CWT. GOV. TENSION

RELATED DRAWINGS	TITLES
JBA22703AAP	Arrangement, Governor rope tension frame 7063E / F / AH

DRAWING REFERENCES

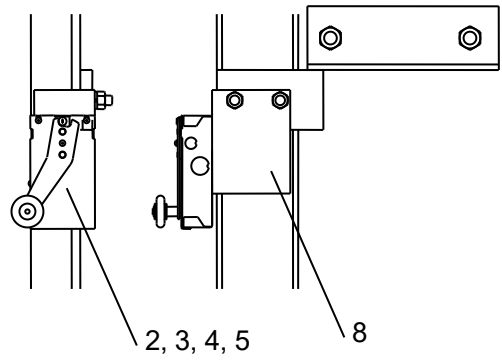
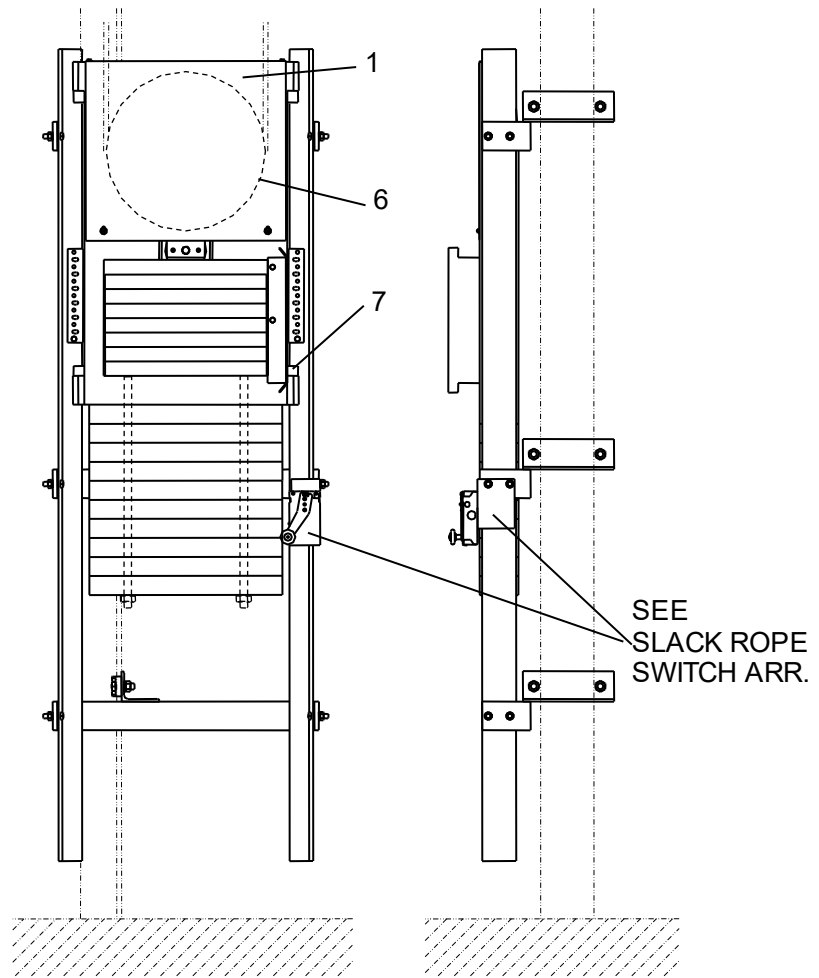
RELATED DOCUMENT NUMBERS	TITLES
15-JAA22703AAW	Car governor tension frame

This Spare Parts Leaflet (SPL) is prepared to assist you in determining the Lowest Replaceable Units (LRU) supported by the Otis Service Center for the standard version of the product titled on the preceding page. The parts are chosen by Otis associates from: Engineering, Field Engineering, Service Engineering, and Manufacturing. We attempt to make part identification as easy as possible. The SPL, however, cannot be all inclusive. Elevator and escalator contracts classified as either "special" or "custom" are not addressed. Alternative sources of information such as: the Contract Folder, Technical Information Publications, Field Education Articles, Construction Letters, etc. may give the information you are after. You live in the real world of maintaining your elevator and escalator contracts. On a daily basis, situations arise regarding parts identification and at times, for some reason, the part you need is not in the SPL. If you think a standard part not listed should be—let us know. We will respond.

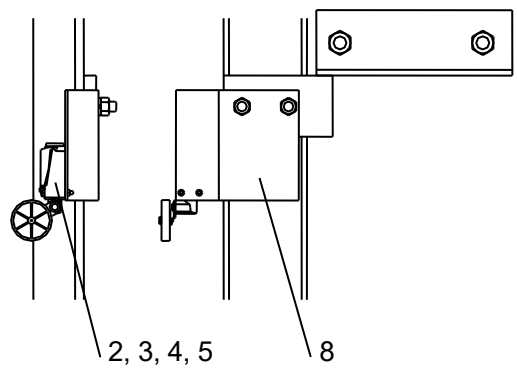
Yamaoka, Takayuki-Nippon OTIS Service Center

CWT GOVERNOR TENSION FRAME

15-JAA22703AAP



SLACK ROPE SWITCH ARR. 201



SLACK ROPE SWITCH ARR. 202

15-JAA22703AAP**CWT GOVERNOR TENSION
FRAME**

REF NO.	PART NO	DESCRIPTION	QTY	
			SLACK ROPE SWITCH ARR.	
			201	202
1	JBA22703AAH2 JAA22703AAH2	ASSEMBLY GOV. ROPE TIGHTENER	1	
2	AAA6098NM3	LIMIT SWITCH	1	-
	TAA177DD1	LIMIT SWITCH	-	1
3	BFM06X012-8.8	ISO4017M6x12-8.8Z HEX HD FULL BOLT ZP	2	-
	BFM04X035-8.8	ISO4017M4X35-8.8Z HEX HD FULL BOLT ZP	-	2
4	NSM06-8	ISO4032M6-8-Z HEX NUT ZP	2	-
	NSM04-8	ISO4032M4-8-Z HEX NUT ZP	-	2
5	TWI06	DIN6797J-M6-350HV-Z INTER LK WSR ZP	2	-
	TWI04	DIN6797J-M4-350HV-Z INTER LK WSR ZP	-	2
6	JAA265ADJ5 JAA265ADJ3	SHEAVE	1	
7	JAA380ABN1	GIB	4	
8	JBA283HMW1	ANGLE, FORMED	1	-
	JAA316YRA1	BRACKET	-	1