



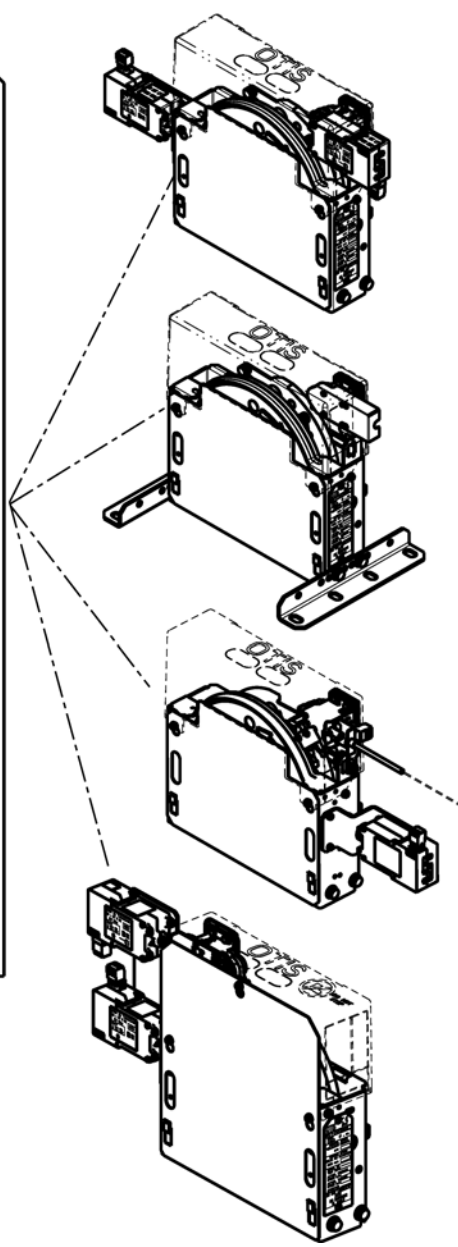
Governor (Limitador)

Spare Parts Leaflet

15-T..20602A

April 2003 / Page 1 of 33

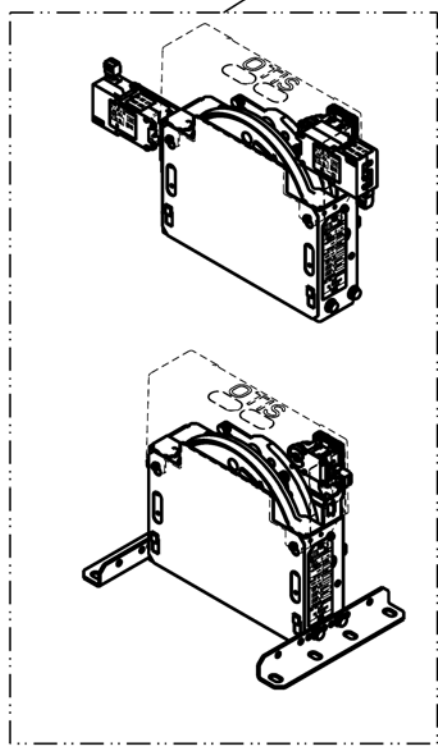
  0635	
15 T-TAA 20602.....	
ROPE CABLE	ϕ ... mm.
NOMINAL SPEED VELOCIDAD NOMINAL	
m/s <input type="text"/>	
TRIPPING SPEED VELOC. DE ACTUACION	
MAX. m/s <input type="text"/>	
SERIAL NR TEST DATE	
ACTUAL CONTACT SPEED m/s <input type="text"/>	
ACTUAL TRIPPING SPEED m/s <input type="text"/>	
OPERATOR	
DO NOT LUBRICATE ROPE NO ENGRASAR EL CABLE	



15	TAA20602A
SERIAL	



1999

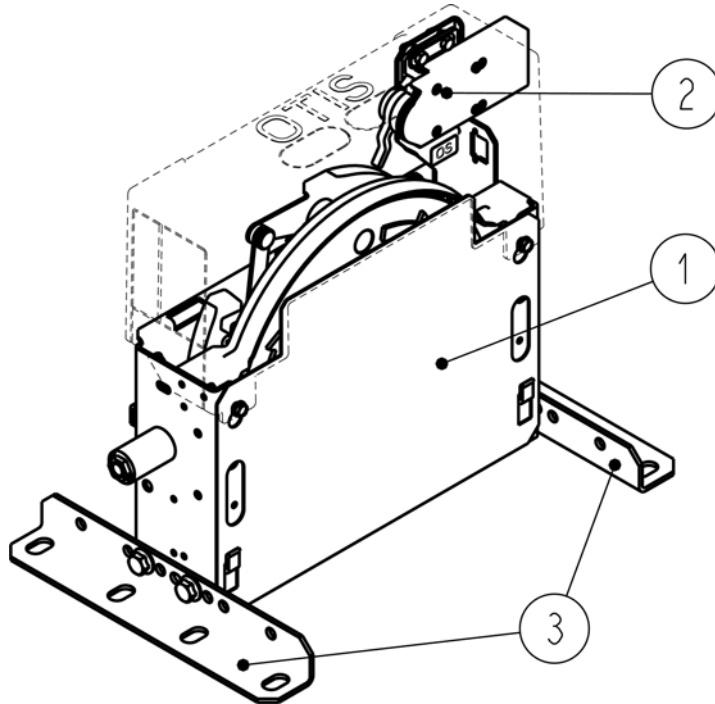



Unpublished Work—© Otis Elevator Co.; 2003



Safety First!

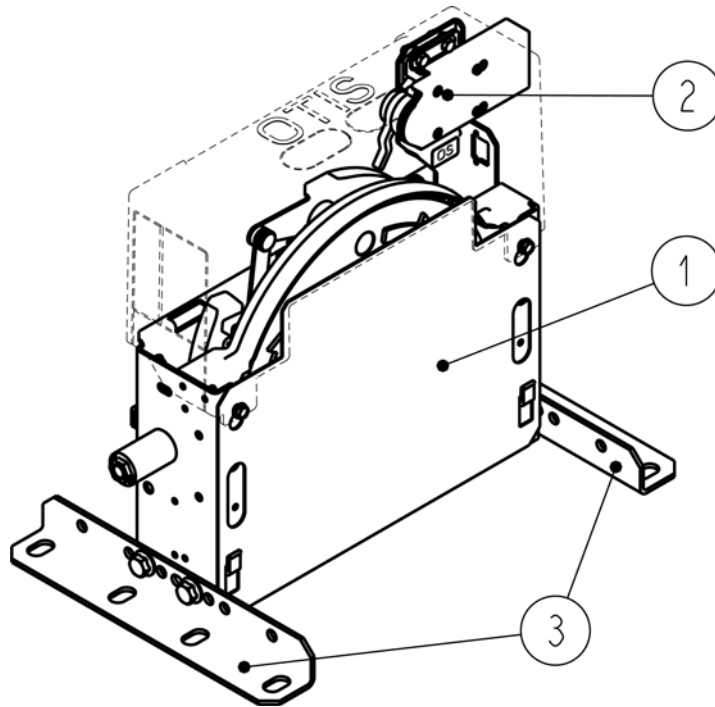
OTIS ENGINEERING CENTER
Madrid
Otis Elevator Company




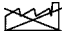
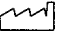

		TAB20602A	DESCRIPTION			
REF. No.	Assembly (Ensamble)	Assembly (Ensamble)	Rated (Vel. Nom.)	Support (Soportes)	Switch w/o Resetting (Contacto sin Rearme)	Right Hand (Mano Dcha.)
1+2+3	TAA20602A201	TAB20602A201	≤0.5 m/s	(2) TAA283FA1	TAA177AJ1	
	TAA20602A202	TAB20602A202	0.63 m/s			
	TAA20602A203	TAB20602A203	1 m/s			
	TAA20602A204	TAB20602A204	1.6 m/s			
	TAA20602A205	TAB20602A205	2.5 m/s			
	TAA20602A206	TAB20602A206	0.75 m/s			
	TAA20602A207	TAB20602A207	0.8 m/s			
	TAA20602A208	TAB20602A208	1.5 m/s			
	TAA20602A209	TAB20602A209	1.75 m/s			
	TAA20602A210	TAB20602A210	1.2 m/s			
	TAA20602A211	TAB20602A211	1.3 m/s			
	TAA20602A212	TAB20602A212	0.75 m/s	(2) TAA283NG1		
	TAA20602A213	TAB20602A213	2 m/s	(2)		
	TAA20602A214	TAB20602A214	0.85 m/s	TAA283FA1		
---	TAB20602A215	≤0.61 m/s				
1+2	TAA20602A216	TAB20602A216	≤0.5 m/s	W/O		
	TAA20602A217	TAB20602A217	0.63 m/s			
	TAA20602A218	TAB20602A218	1 m/s			
	TAA20602A219	TAB20602A219	1.6 m/s			
	TAA20602A220	TAB20602A220	2.5 m/s			

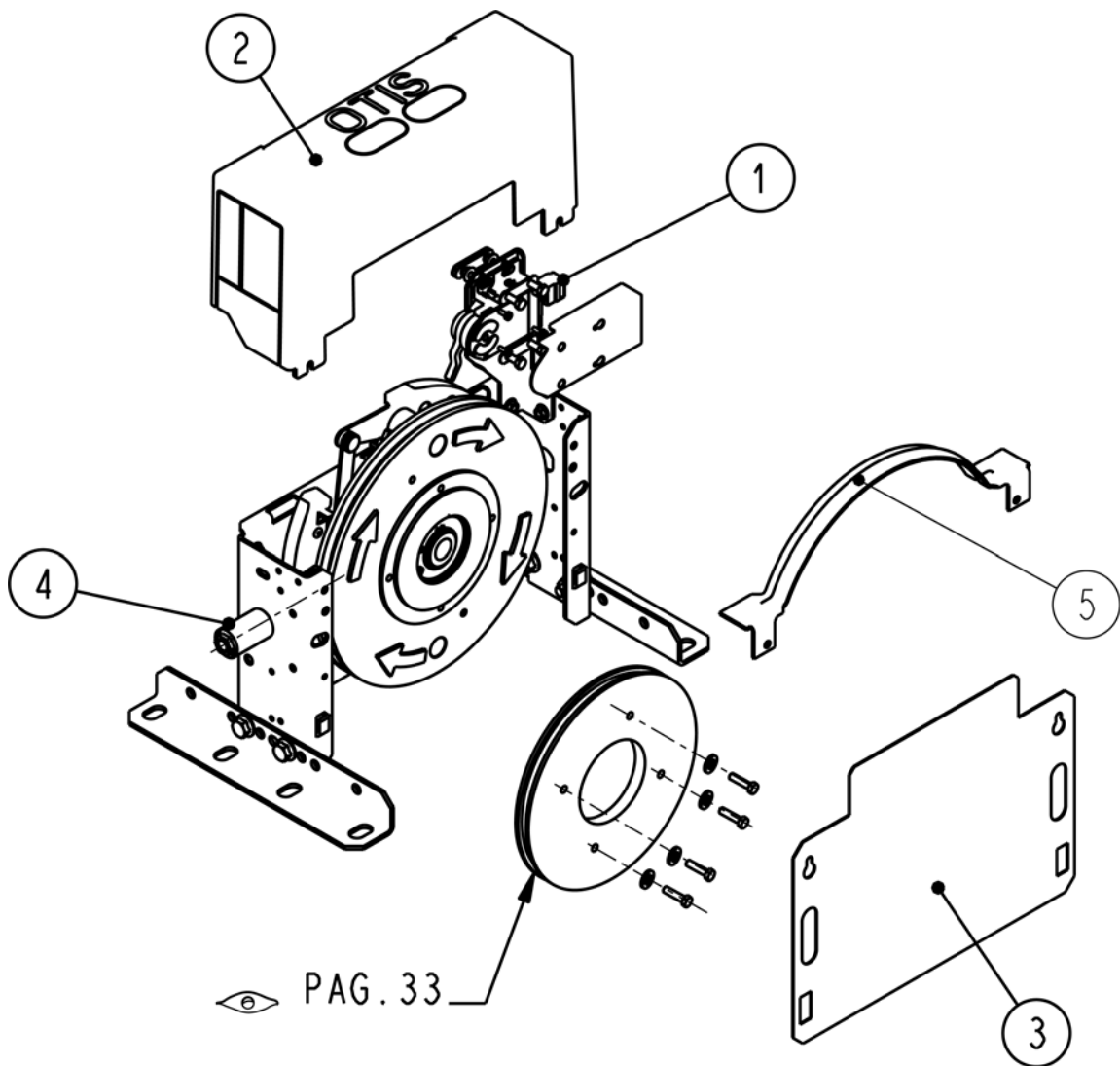
Governor (Limitador)

15-T..20602A

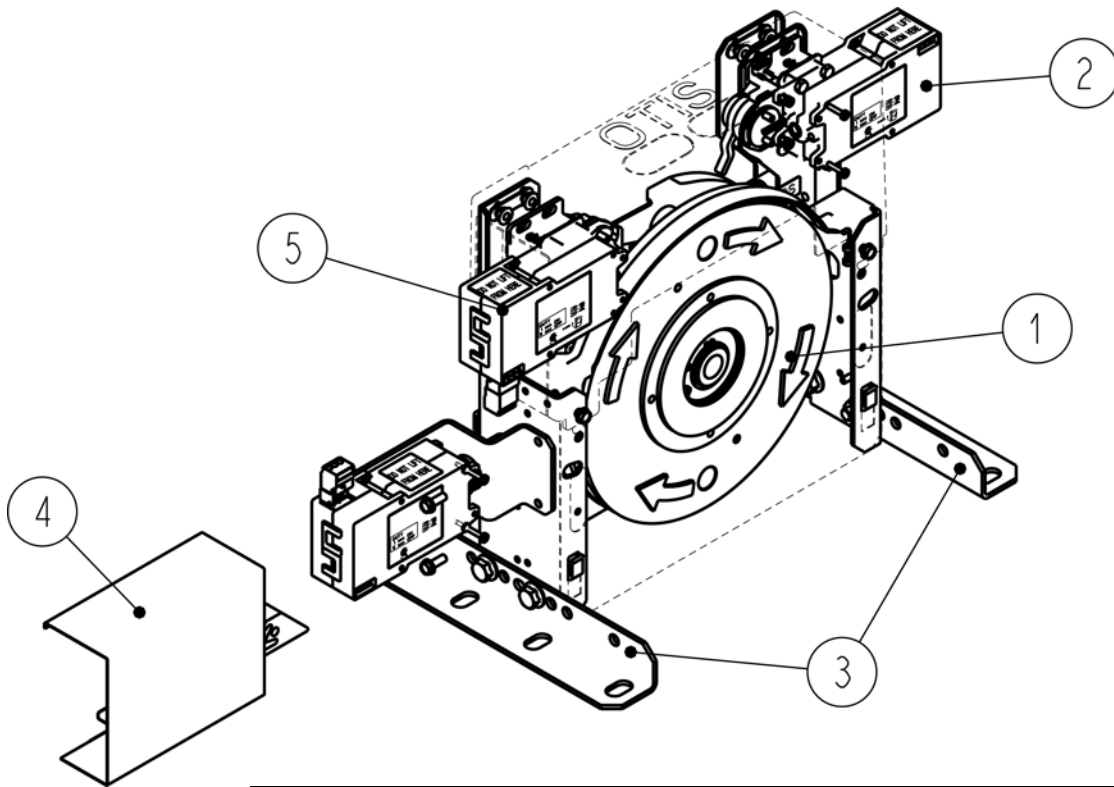



		TAB20602A	DESCRIPTION			
REF. No.	Assembly (Ensamble)	Assembly (Ensamble)	Rated (Vel. Nom.)	Support (Soportes)	Switch w/o Resetting (Contacto sin Rearme)	Right Hand (Mano Dcha.)
1+3	TAA20602A221	TAB20602A221	≤0.5 m/s	(2) TAA283FA1	W/O	
	TAA20602A222	TAB20602A222	0.63 m/s			
	TAA20602A223	TAB20602A223	1 m/s			
	TAA20602A224	TAB20602A224	1.6 m/s			
	TAA20602A225	TAB20602A225	2.5 m/s			
	TAA20602A226	TAB20602A226	0.5 m/s			
	TAA20602A227	TAB20602A227	0.63 m/s			
	TAA20602A228	TAB20602A228	0.75 m/s			
	---	TAB20602A229	≤0.61 m/s			
	TAB20602A230	0.7 m/s				
1	TAA20602A231	TAB20602A231	≤0.5 m/s	W/O		
	TAA20602A232	TAB20602A232	0.63 m/s			
	TAA20602A233	TAB20602A233	1 m/s			
	TAA20602A234	TAB20602A234	1.6 m/s			
	TAA20602A235	TAB20602A235	2.5 m/s			
	TAA20602A236	TAB20602A236	2 m/s			
1+2+3	TAA20602A243	TAB20602A243	≤0.5 m/s	(2) TAA283FA1	TAA177AJ1	
1+3	TAA20602A244	TAB20602A244	≤0.5 m/s		W/O	
1+2+3	TAA20602A245	TAB20602A245	0.63 m/s		TAA177AJ1	
1+3	TAA20602A246	TAB20602A246	0.63 m/s		W/O	

		TAB20602A	DESCRIPTION			
REF. No.	Assembly (Ensamble) 	Assembly (Ensamble) 	Rated (Vel. Nom.)	Support (Soportes)	Switch w/o Resetting (Contacto sin Rearme)	Right Hand (Mano Dcha.) 
1+2+3	TAA20602A247	TAB20602A247	0.75 m/s	(2) TAA283FA1	TAA177AJ1	
	---	TAB20602A248	0.7 m/s			
	---	TAB20602A249	0.8 m/s			
	TAA20602A260	TAB20602A260	0.9 m/s			
1+3	---	TAB20602A267	1.75 m/s		W/O	
1+2	TAA20602A270	TAB20602A270	2 m/s	W/O		
1+2+3	---	TAB20602A281	1.2 m/s	(2) TAA283FA1	TAA177AJ1	
		TAB20602A282	1.6 m/s			
		TAB20602A283	0.6 ÷ 0.63 m/s			
		TAB20602A600	≤0.5 m/s			
		TAB20602A601	0.63 m/s			
		TAB20602A602	1 m/s			
		TAB20602A603	1.6 m/s			




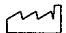

REF. No.	PART or M.L.	DESCRIPTION
1	FAA176E3	Plug (WAGO Ref. 721-603 / 000-024) [Connector]
2	TAA346EV2	Cover (Tapa)
3	TAA386FJ1	Cover (Tapa)
4	TAA5000AS1	Manual Tripping Device (Disparador Manual)
5	TAA384FK1	Rope Guard (Guarda Cable)



		TAB20602A	DESCRIPTION			
REF. No.	Assembly (Ensamble)	Assembly (Ensamble)	Rated (Vel. Nom.)	Support (Soportes)	Switch Resetting (Contacto Rearme)	Right Hand (Mano Dcha.)
1	TAA20602A237	TAB20602A237	≤0.5 m/s	W/O	W/O	
	TAA20602A238	TAB20602A238	0.63 m/s			
	TAA20602A239	TAB20602A239	1 m/s			
	TAA20602A240	TAB20602A240	1.6 m/s			
	TAA20602A241	TAB20602A241	2.5 m/s			
	TAA20602A242	TAB20602A242	2 m/s			
1+2+3	TAA20602A250	TAB20602A250	0.75 m/s	(2) TAA283NG1	TAA177AK1	
1+2	TAA20602A251	TAB20602A251	≤0.5 m/s	W/O		
	TAA20602A252	TAB20602A252	0.63 m/s			
	TAA20602A253	TAB20602A253	1 m/s			
	TAA20602A254	TAB20602A254	1.6 m/s			
	TAA20602A255	TAB20602A255	2.5 m/s			
	TAA20602A256	TAB20602A256	0.75 m/s			
	TAA20602A257	TAB20602A257	0.8 m/s			
	TAA20602A258	TAB20602A258	1.5 m/s			
1+5	---	TAB20602A271	0.98 m/s	TAA177AK2		
1+2	TAA20602A280	TAB20602A280	2 m/s	TAA177AK1		
1+2+4	TAA20602A290	TAB20602A290	1 m/s	W/O		
1	---	TAB20602A294	1 m/s			

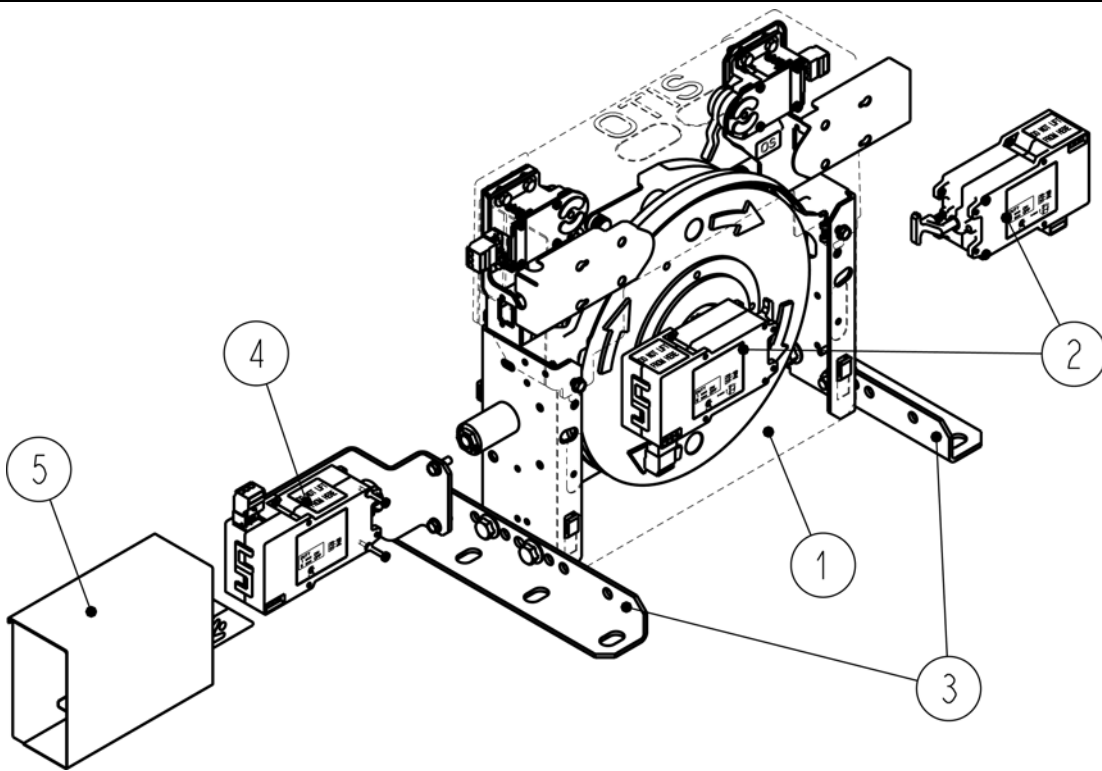
Governor (Limitador)


15-T..20602A

		TAB20602A	DESCRIPTION			
REF. No.	Assembly (Ensamble) 	Assembly (Ensamble) 	Rated (Vel. Nom.)	Support (Soportes)	Switch Resetting (Contacto Rearme)	Right Hand (Mano Dcha.) 
1+2	---	TAB20602A604	≤0.5 m/s	W/O	TAA177AK1	
		TAB20602A605	0.63 m/s			
		TAB20602A606	1 m/s			
		TAB20602A607	1.6 m/s			
		TAB20602A608	1 m/s			

15-T..20602A


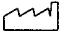


Governor (Limitador)

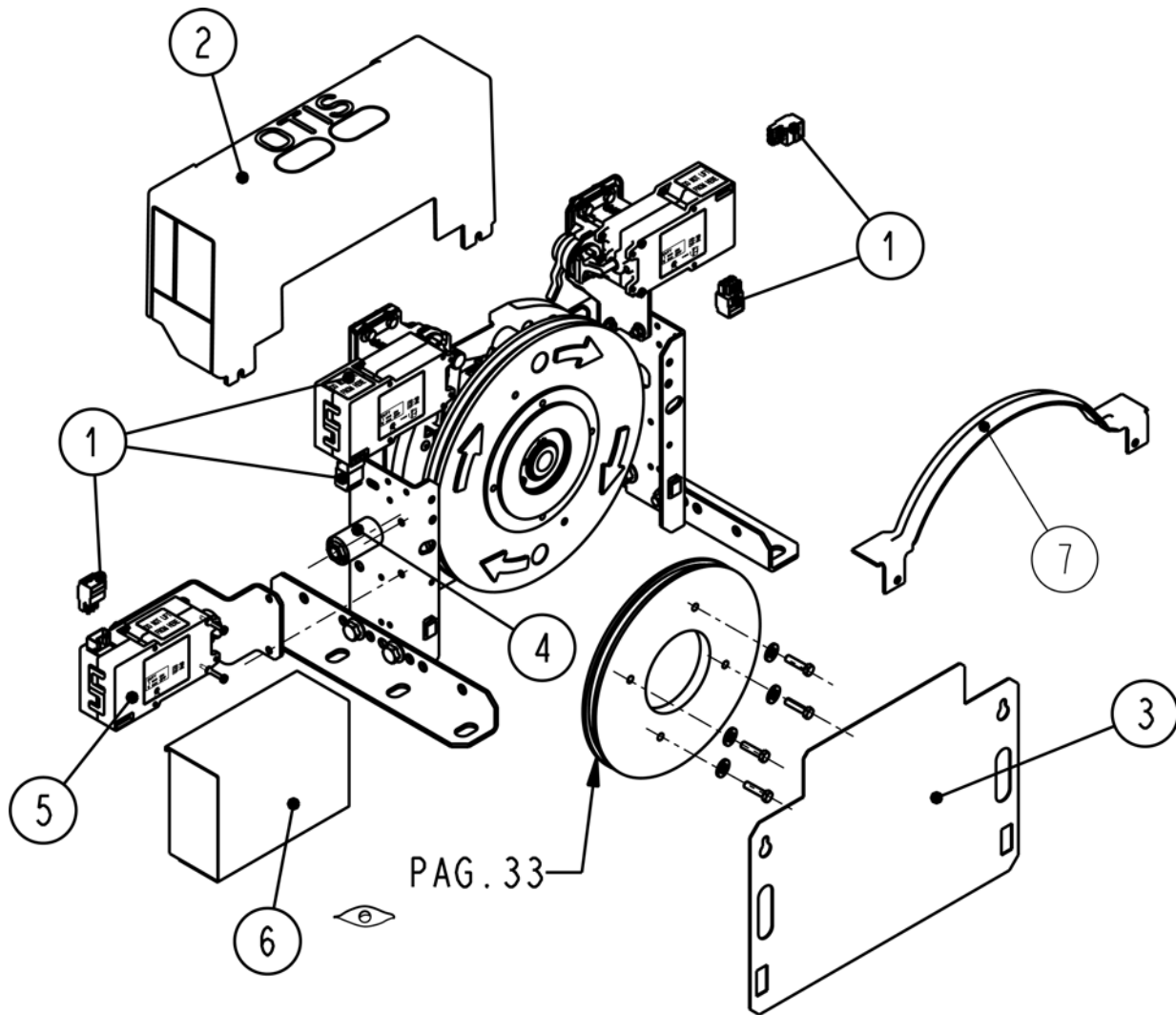


		TAB20602A	DESCRIPTION			
REF. No.	Assembly (Ensamble)	Assembly (Ensamble)	Rated (Vel. Nom.)	Support (Soportes)	Switch Resetting (Contacto Rearme)	Right Hand (Mano Dcha.)
1+3	TAA20602A401	TAB20602A401	≤0.5 m/s	(2) TAA283FA1	W/O	
	TAA20602A402	TAB20602A402	0.63 m/s			
	TAA20602A403	TAB20602A403	1 m/s			
	TAA20602A404	TAB20602A404	1.6 m/s			
	TAA20602A405	TAB20602A405	2.5 m/s			
	TAA20602A406	TAB20602A406	0.75 m/s			
	TAA20602A407	TAB20602A407	0.8 m/s			
	TAA20602A408	TAB20602A408	1.5 m/s			
	TAA20602A409	TAB20602A409	1.75 m/s			
	TAA20602A410	TAB20602A410	1.2 m/s			
	TAA20602A411	TAB20602A411	1.3 m/s			
	TAA20602A412	TAB20602A412	0.75 m/s	(2) TAA283NG1		
	TAA20602A413	TAB20602A413	2 m/s	(2)		
	TAA20602A414	TAB20602A414	0.85 m/s	TAA283FA1		
1	TAA20602A416	TAB20602A416	≤0.5 m/s	W/O		
	TAA20602A417	TAB20602A417	0.63 m/s			
	TAA20602A418	TAB20602A418	1 m/s			
	TAA20602A419	TAB20602A419	1.6 m/s			
	TAA20602A420	TAB20602A420	2.5 m/s			

Governor (Limitador)

15-T..20602A

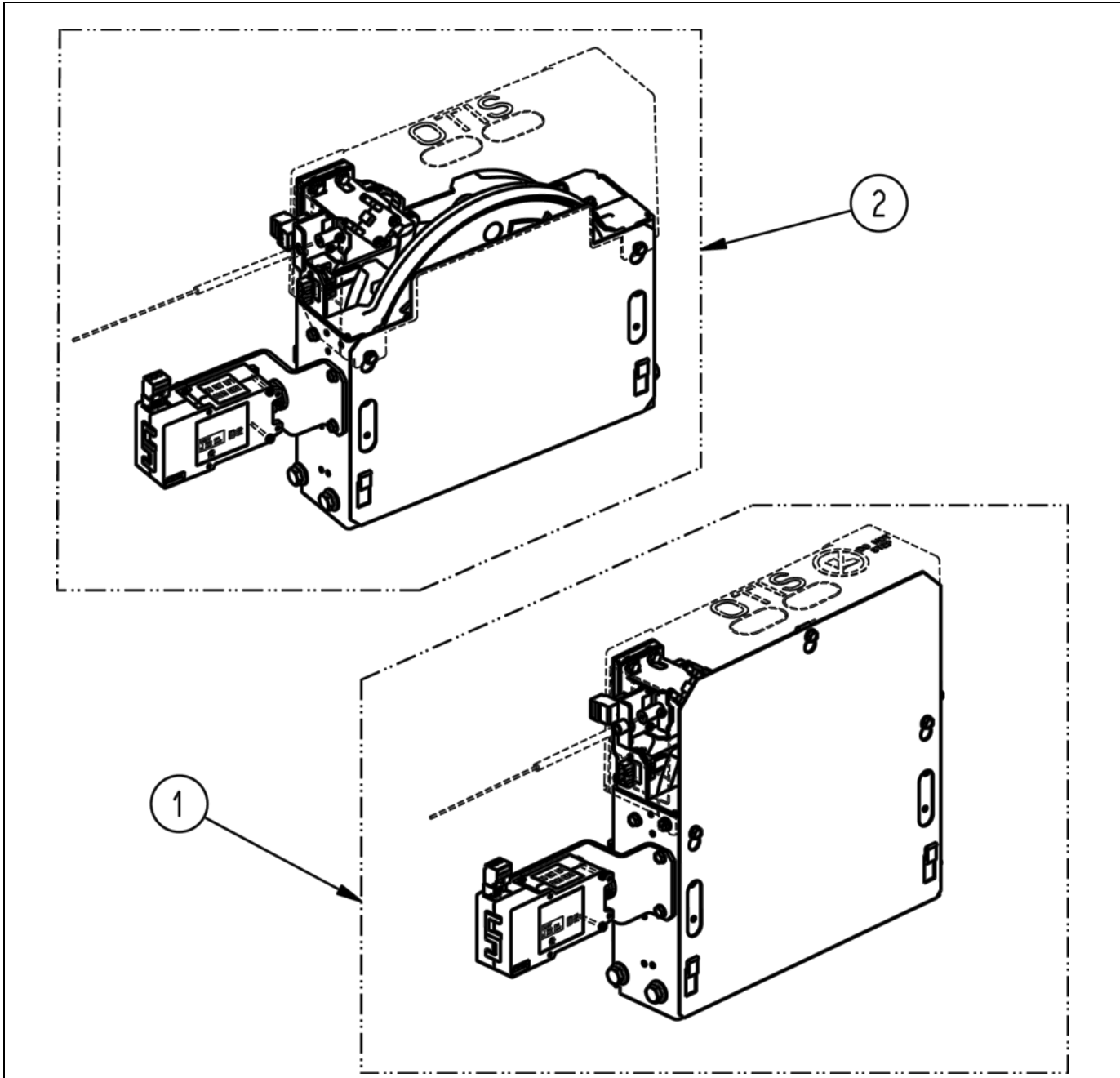
		TAB20602A	DESCRIPTION			
REF. No.	Assembly (Ensamble) 	Assembly (Ensamble) 	Rated (Vel. Nom.)	Support (Soportes)	Switch w/o Resetting (Contacto sin Rearme)	Right Hand (Mano Dcha.) 
1+3	TAA20602A443	TAB20602A443	≤0.5 m/s	(2)	W/O	
	TAA20602A445	TAB20602A445	0.63 m/s	TAA283FA1		
1+2 +3+4	TAA20602A450	TAB20602A450	0.75 m/s	(2) TAA283NG1	TAA177AK2 (OS) + TAA177AK5 (OSU)	
1+2+4	TAA20602A451	TAB20602A451	≤0.5 m/s	W/O		
	TAA20602A452	TAB20602A452	0.63 m/s			
	TAA20602A453	TAB20602A453	1 m/s			
	TAA20602A454	TAB20602A454	1.6 m/s			
	TAA20602A455	TAB20602A455	2.5 m/s			
	TAA20602A456	TAB20602A456	0.75 m/s			
	TAA20602A457	TAB20602A457	0.8 m/s			
TAA20602A458	TAB20602A458	1.5 m/s				
TAA20602A459	TAB20602A459	1.75 m/s				
1	TAA20602A470	TAB20602A470	2 m/s		W/O	
1+2+4	TAA20602A480	TAB20602A480	2 m/s		TAA177AK2 (OS) + TAA177AK5 (OSU)	
1+2+5	TAA20602A490	TAB20602A490	1 m/s		TAA177AK2 (OS) + TAA177AK5 (OSU)	




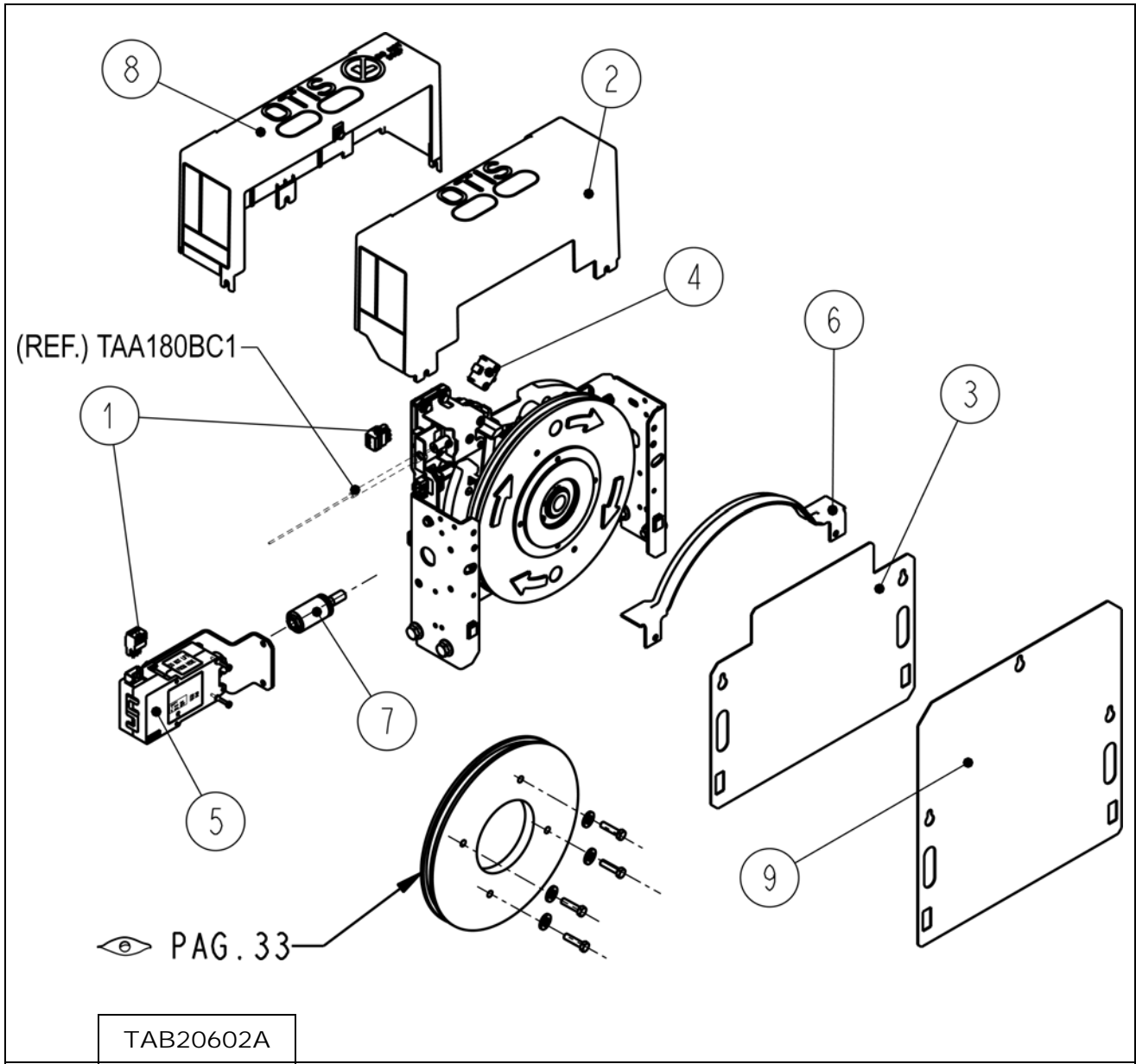
REF. No.	PART or M.L.	DESCRIPTION
	TAB20602A	
1	FAA176E3	Plug (WAGO Ref. 721-603 / 000-024) [Connector]
2	TAA346EV2	Cover (Tapa)
3	TAA386FJ1	Cover (Tapa)
4	TAA5000AS1	Manual Tripping Device (Disparador Manual)
5	TAA330AX1	Remote Tripping Device (Disparador Remoto)
6	FAA330F2	Remote Tripping Device (Disparador Remoto)
7	TAA384FK1	Rope Guard (Guarda Cable)

Governor (Limitador)

15-T..20602A



		TAB20602A	DESCRIPTION				
REF. No.	Assembly (Ensamble)	Assembly (Ensamble)	Rated (Vel. Nom.)	Volt. DC	Remote Tripping (Disparo Automatico)	Switch w/ Resetting (Contacto con Rearme)	Right Hand (Mano Dcha.)
1	TAB20602A261	TAB20602A871	1 m/s	110 V	TAA330AX1	TAA177BP2	
	TAB20602A262	TAB20602A872	1.6 m/s				
2	---	TAB20602A265	1.5 m/s				
	---	TAB20602A268	1.75 m/s				

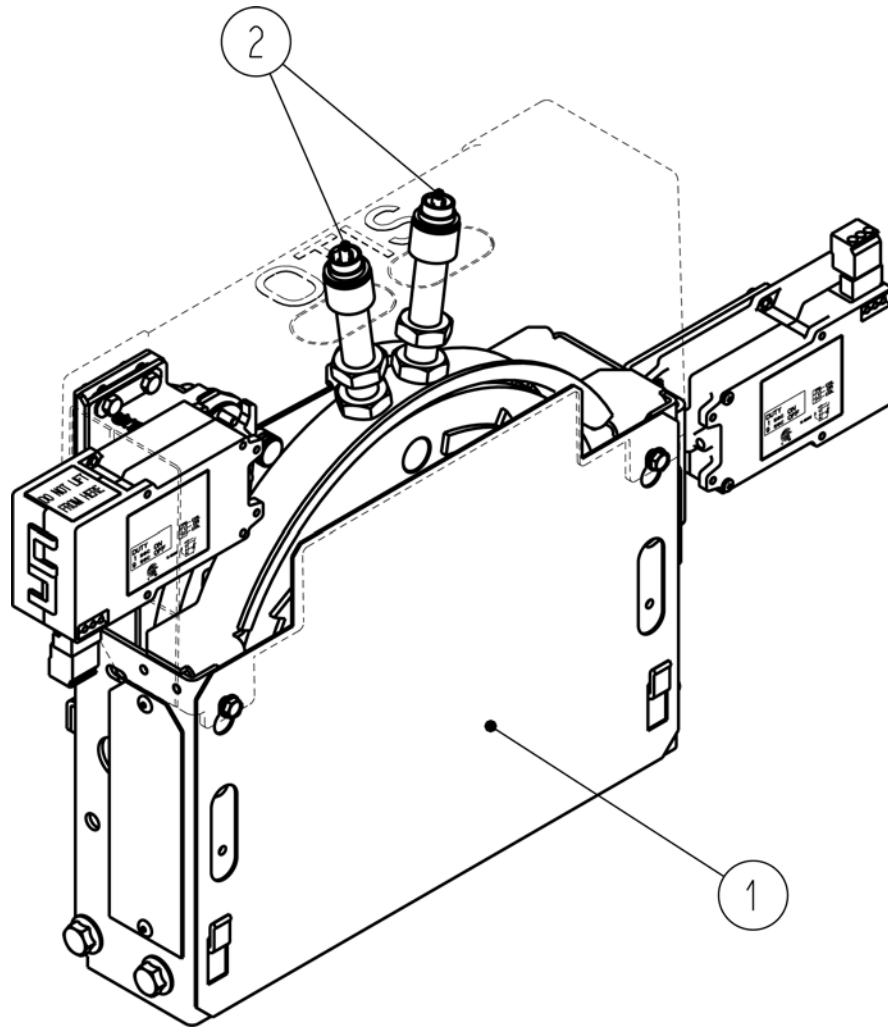



TAB20602A

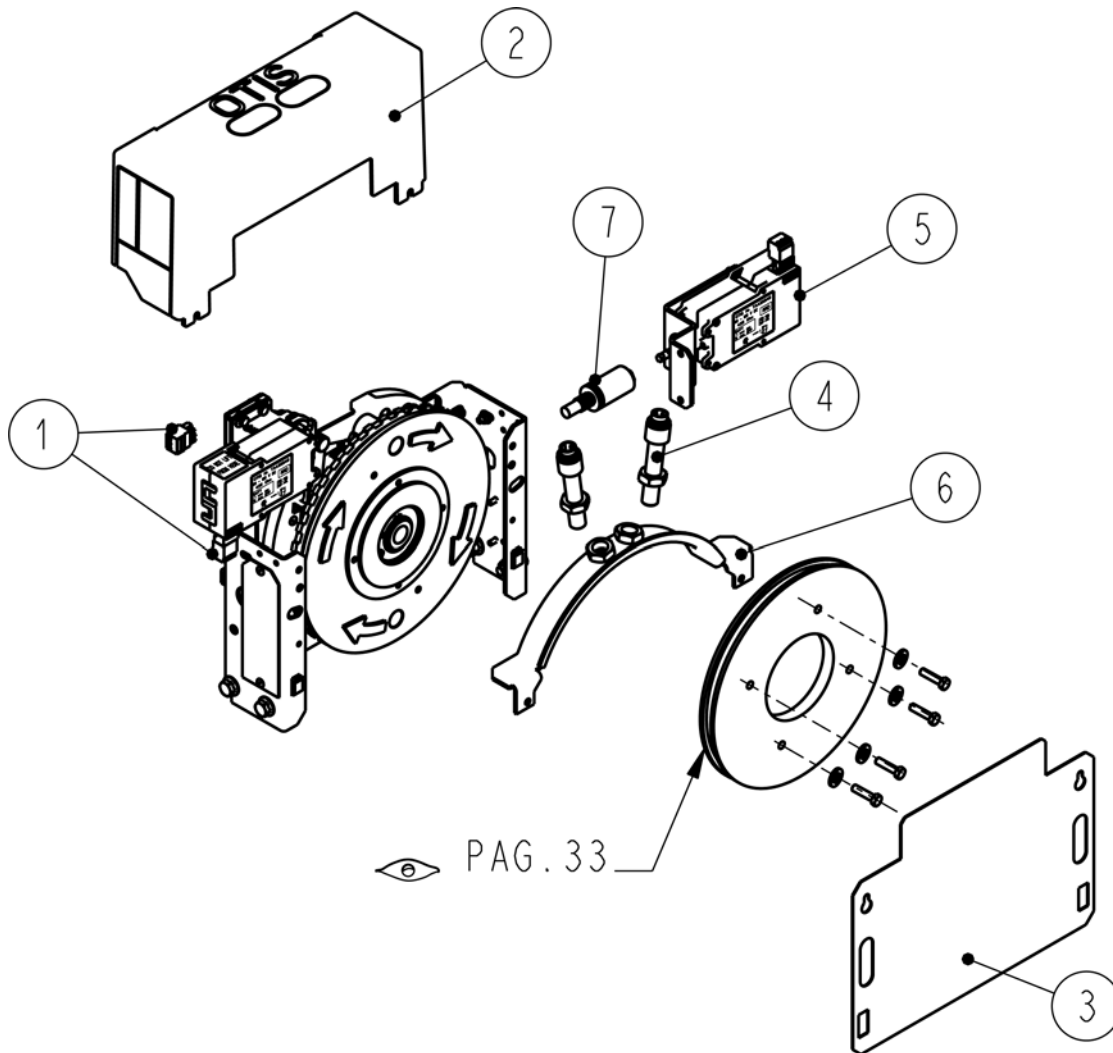
REF. No.	PART or M.L.	DESCRIPTION
1	FAA176E3	Plug (WAGO Ref. 721-603 / 000-024) [Connector]
2	TAA346EV2	Cover (Tapa)
3	TAA386FJ1	Cover (Tapa)
4	TAA177BJ1	Switch (Interruptor)
5	TAA330AX1	Remote Tripping Device (Disparador Remoto)
6	TAA384FK1	Rope Guard (Guarda Cable)
7	TAA5000AS1	Manual Tripping Device (Disparador Manual)
8	TAA386NJ1	Cover (Tapa)
9	TAA346MX1	Cover (Tapa)

Governor (Limitador)

15-T..20602A



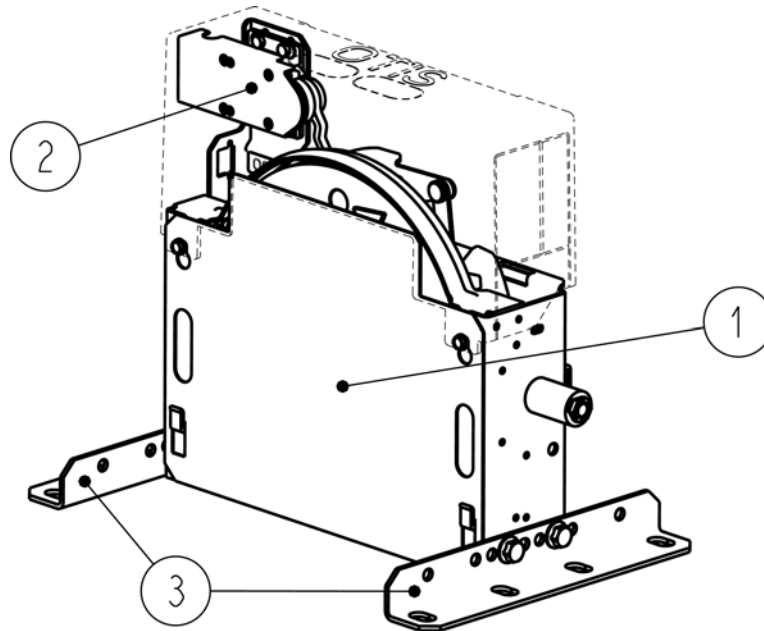
		TAB20602A	DESCRIPTION			
REF. No.	Assembly (Ensamble)	Assembly (Ensamble)	Rated (Vel. Nom.)	Support (Soportes)	Switch Resetting (Contacto Rearme)	Right Hand (Mano Dcha.)
1+2	TAA20602A291	TAB20602A292	1 m/s	W/O	TAA177AK2	
	---	TAB20602A293				
1	---	TAB20602A295				
	---	TAB20602A296				

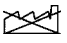
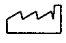





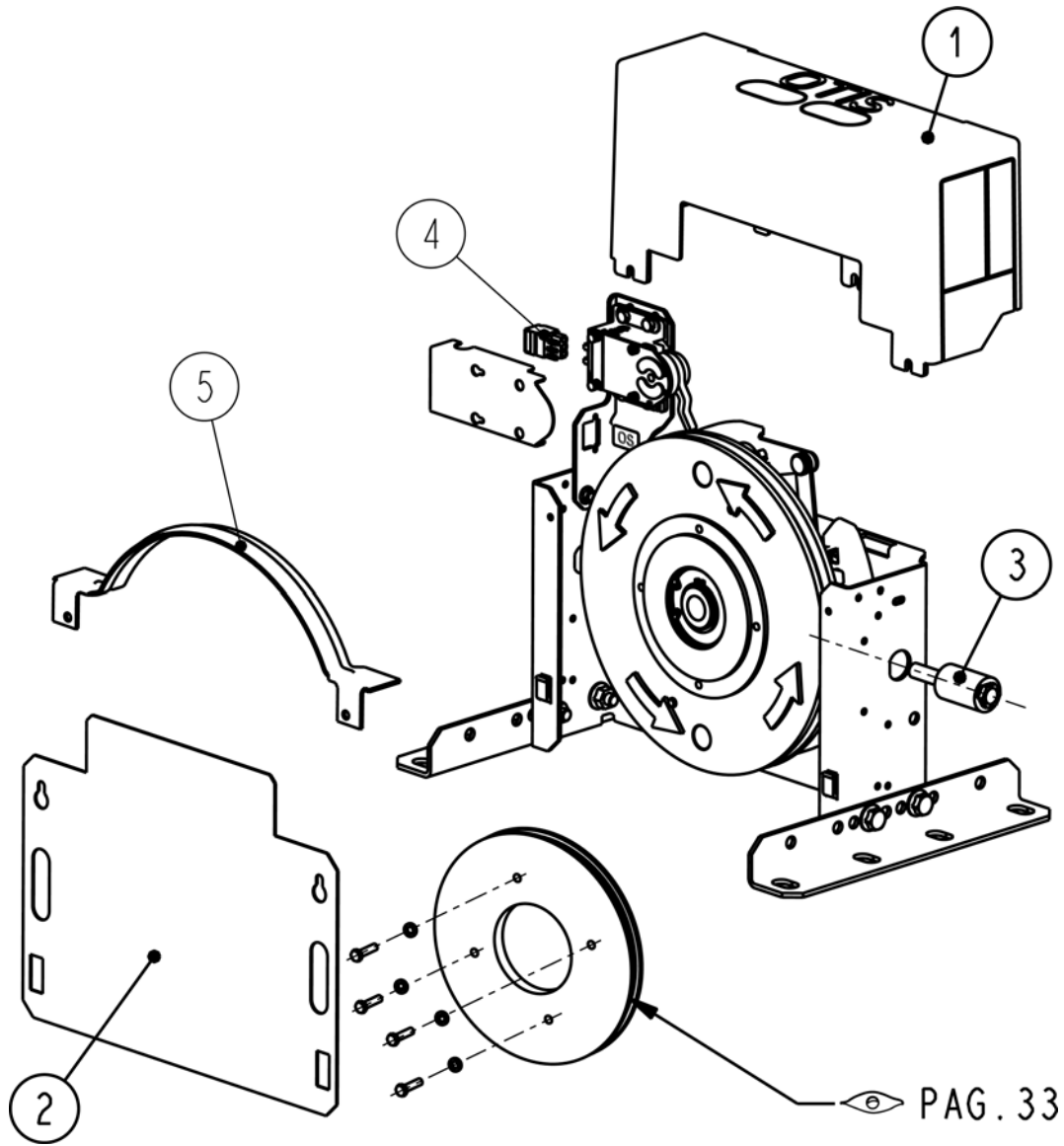
REF. No.	PART or M.L.	DESCRIPTION
	TAB20602A	
1	FAA176E3	Plug (WAGO Ref. 721-603 / 000-024) [Connector]
2	TAA346EV3	Cover (Tapa)
3	TAA386FJ1	Cover (Tapa)
4	TAA633D1	Encoder
5	TAA330AX2	Remote Tripping Device (Disparador Remoto)
6	TAA384GE2	Rope Guard (Guarda Cable)
7	TAA5000AS1	Manual Tripping Device (Disparador Manual)

Governor (Limitador)

15-T..20602A



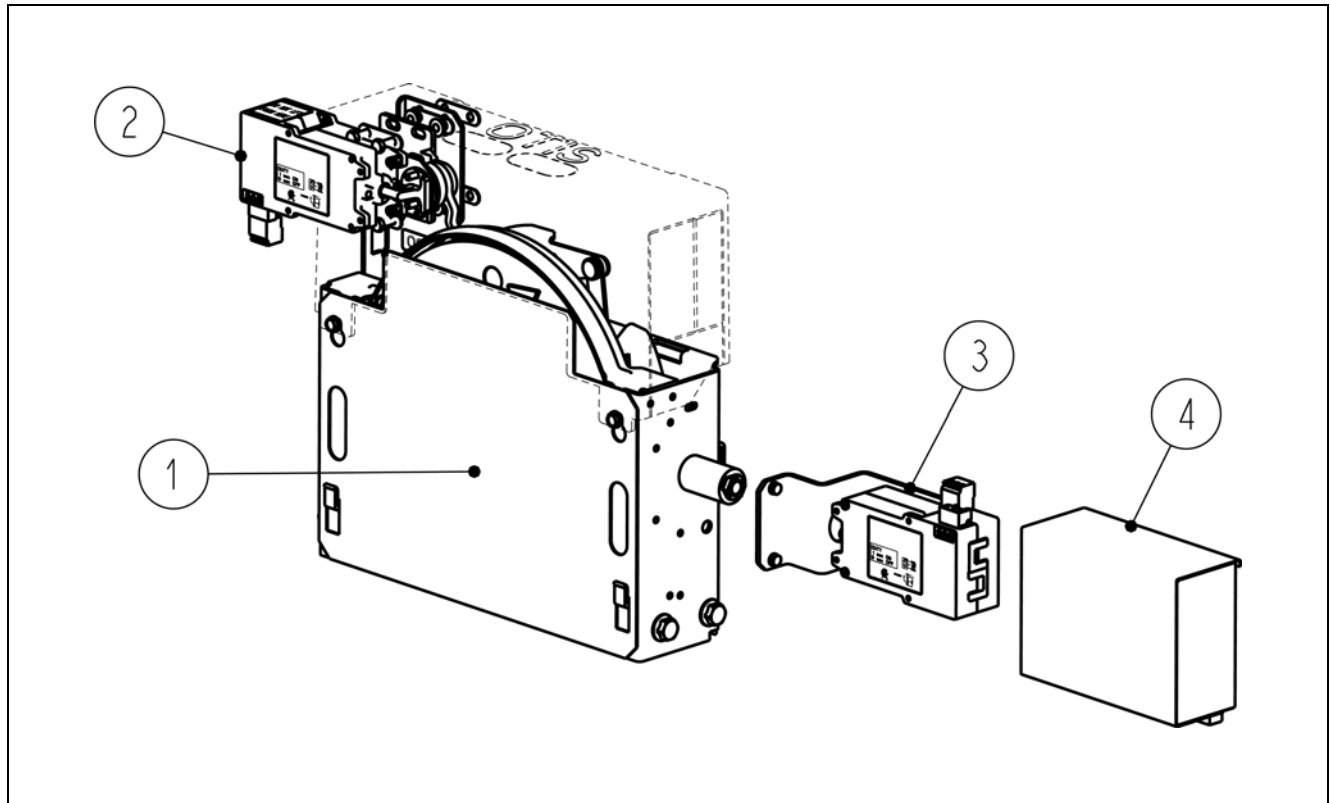
		TAB20602A	DESCRIPTION			
REF. No.	Assembly (Ensamble) 	Assembly (Ensamble) 	Rated (Vel. Nom.)	Support (Soportes)	Switch Resetting (Contacto Rearme)	Left Hand (Mano Izquierda)
1+2+3	TAA20602A301	TAB20602A301	≤0.5 m/s	(2) TAA283FA1	TAA173AJ3	
	TAA20602A302	TAB20602A302	0.63 m/s			
	TAA20602A303	TAB20602A303	1 m/s			
	TAA20602A304	TAB20602A304	1.6 m/s			
	TAA20602A305	TAB20602A305	2.5 m/s			
	TAA20602A306	TAB20602A306	0.75 m/s			
	TAA20602A307	TAB20602A307	0.8 m/s			
	TAA20602A308	TAB20602A308	1.5 m/s			
	TAA20602A309	TAB20602A309	1.75 m/s			
1+2	TAA20602A320	TAB20602A320	≤0.5 m/s	W/O	W/O	
	TAA20602A321	TAB20602A321	0.63 m/s			
	TAA20602A322	TAB20602A322	1 m/s			
	TAA20602A323	TAB20602A323	1.6 m/s			
	TAA20602A324	TAB20602A324	2 m/s			
	TAA20602A325	TAB20602A325	2.5 m/s			
1	TAA20602A326	TAB20602A326	≤0.5 m/s	W/O	W/O	
	TAA20602A327	TAB20602A327	0.63 m/s			
	TAA20602A328	TAB20602A328	1 m/s			
	TAA20602A329	TAB20602A329	1.6 m/s			
	TAA20602A330	TAB20602A330	2 m/s			
	TAA20602A331	TAB20602A331	2.5 m/s			
1+3	---	TAB20602A342	1.75 m/s	(2)		
1+2+3	---	TAB20602A380	0.6 ÷ 0.63 m/s	TAA283FA1	TAA173AJ3	



REF. No.	PART or M.L.	DESCRIPTION
1	TAA346EV2	Cover (Tapa)
2	TAA386FJ1	Cover (Tapa)
3	TAA5000AS1	Manual Tripping Device (Disparador Manual)
4	FAA176E3	Plug (WAGO Ref. 721-603 / 000-024) [Connector]
5	TAA384FK1	Rope Guard (Guarda Cable)

Governor (Limitador)

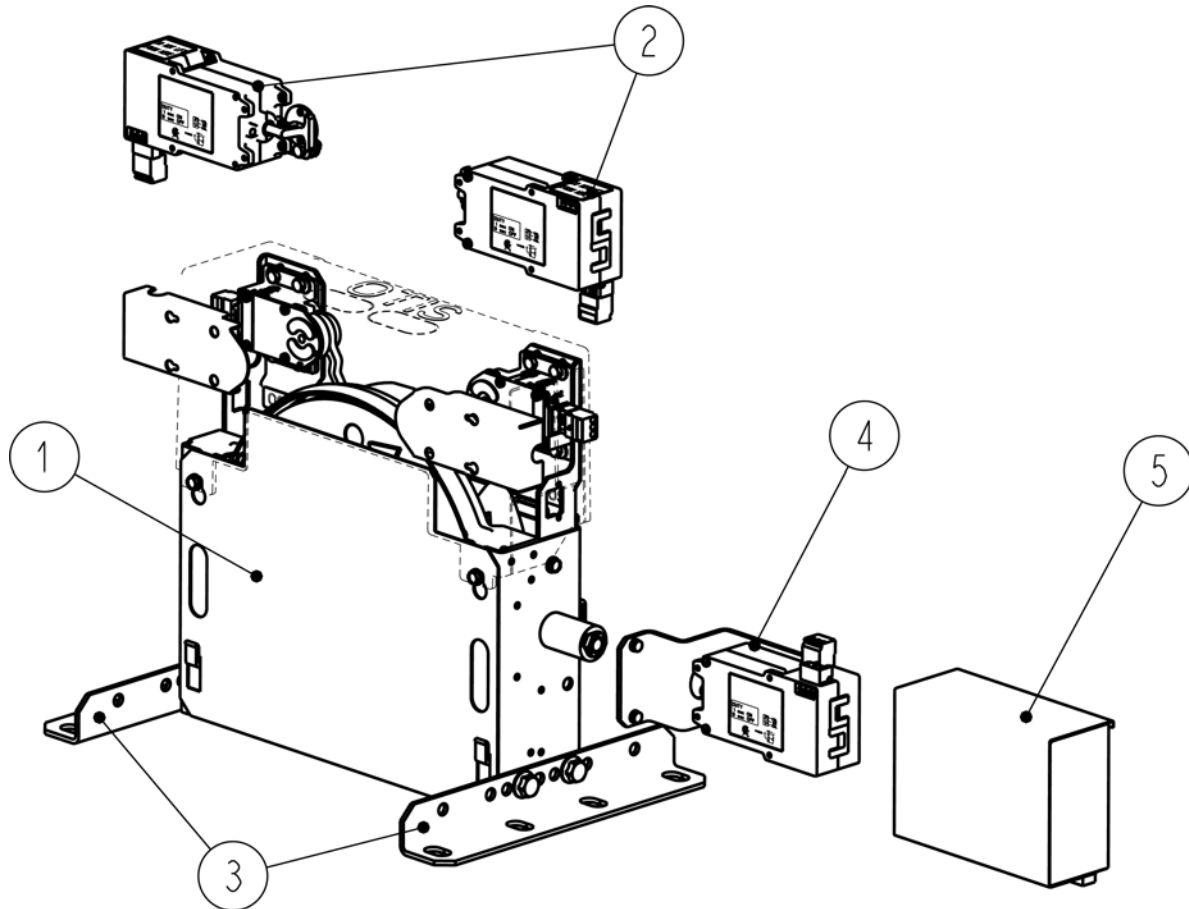
15-T..20602A



		TAB20602A	DESCRIPTION			
REF. No.	Assembly (Ensamble)	Assembly (Ensamble)	Rated (Vel. Nom.)	Support (Soportes)	Switch Resetting (Contacto Rearme)	Left Hand (Mano Izquierda)
1+3	TAA20602A332	TAB20602A332	≤0.5 m/s		W/O	
	TAA20602A333	TAB20602A333	0.63 m/s			
	TAA20602A334	TAB20602A334	1 m/s			
	TAA20602A335	TAB20602A335	1.6 m/s			
	TAA20602A336	TAB20602A336	2 m/s			
	TAA20602A337	TAB20602A337	2.5 m/s			
1+2+3	TAA20602A351	TAB20602A351	≤0.5 m/s	W/O	TAA173AK2	
	TAA20602A352	TAB20602A352	0.63 m/s			
	TAA20602A353	TAB20602A353	1 m/s			
	TAA20602A354	TAB20602A354	1.6 m/s			
	TAA20602A355	TAB20602A355	2.5 m/s			
	TAA20602A356	TAB20602A356	0.75 m/s			
	TAA20602A357	TAB20602A357	0.8 m/s			
	TAA20602A358	TAB20602A358	1.5 m/s			
	TAA20602A359	TAB20602A359	1.75 m/s			
	TAA20602A360	TAB20602A360	2 m/s			
1+2+4	TAA20602A370	TAB20602A370	1 m/s			
1+3	---	TAB20602A394	1 m/s		W/O	
1+2+3	---	TAB20602A700	1 m/s		TAA173AK2	
	---	TAB20602A701	1 m/s			

15-T..20602A

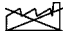
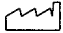

Governor (Limitador)

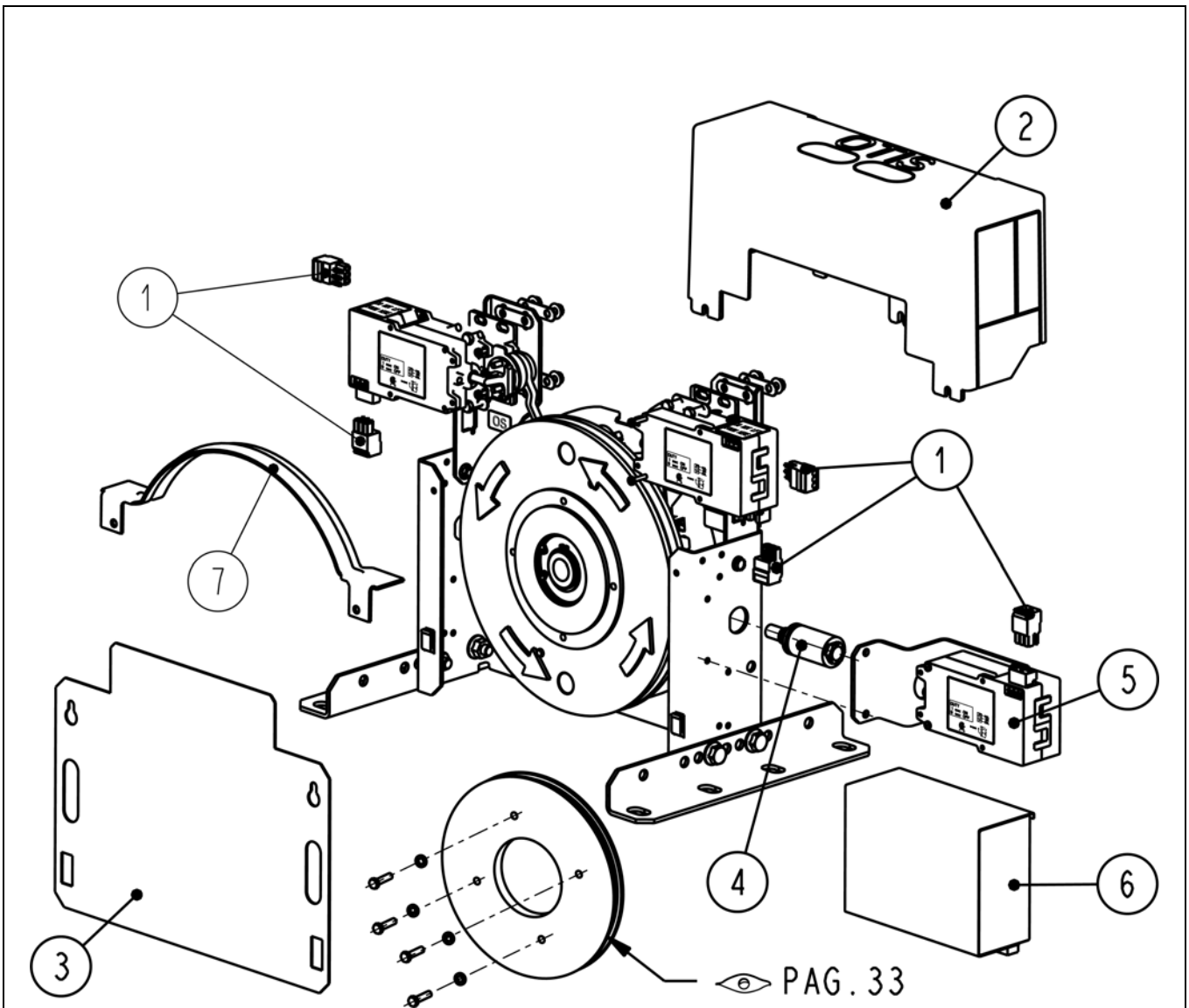


		TAB20602A	DESCRIPTION			
REF. No.	Assembly (Ensamble)	Assembly (Ensamble)	Rated (Vel. Nom.)	Support (Soportes)	Switch Resetting (Contacto Rearme)	Left Hand (Mano Izquierda)
1+3	TAA20602A501	TAB20602A501	≤0.5 m/s	(2) TAA283FA1	W/O	
	TAA20602A502	TAB20602A502	0.63 m/s			
	TAA20602A503	TAB20602A503	1 m/s			
	TAA20602A504	TAB20602A504	1.6 m/s			
	TAA20602A505	TAB20602A505	2.5 m/s			
	TAA20602A506	TAB20602A506	0.75 m/s			
	TAA20602A507	TAB20602A507	0.8 m/s			
	TAA20602A508	TAB20602A508	1.5 m/s			
	TAA20602A509	TAB20602A509	1.75 m/s			
1	TAA20602A520	TAB20602A520	≤0.5 m/s	W/O		
	TAA20602A521	TAB20602A521	0.63 m/s			
	TAA20602A522	TAB20602A522	1 m/s			
	TAA20602A523	TAB20602A523	1.6 m/s			
	TAA20602A524	TAB20602A524	2 m/s			
	TAA20602A525	TAB20602A525	2.5 m/s			

Governor (Limitador)

15-T..20602A

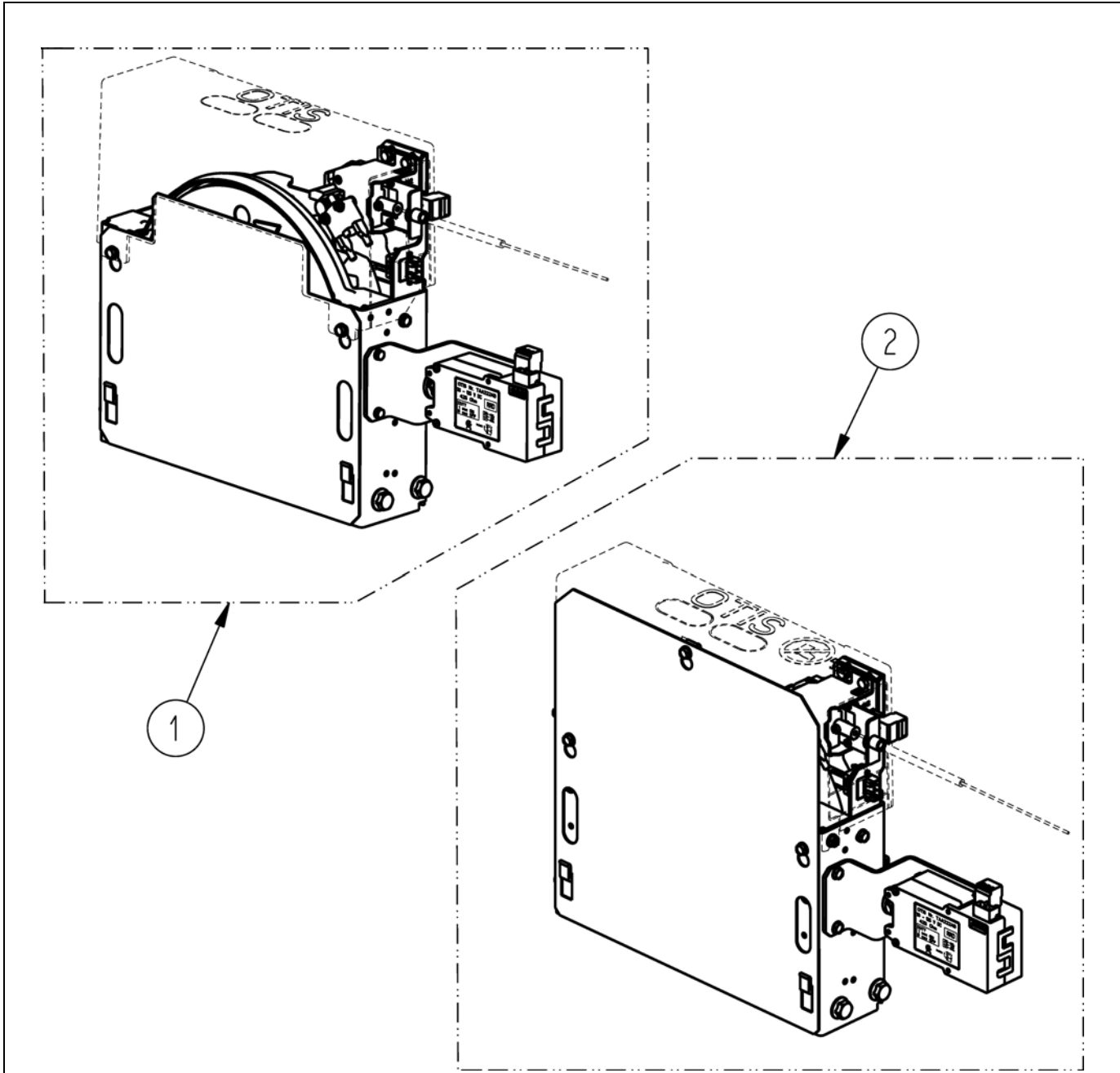
		TAB20602A	DESCRIPTION			
REF. No.	Assembly (Ensamble) 	Assembly (Ensamble) 	Rated (Vel. Nom.)	Support (Soportes)	Switch Resetting (Contacto Rearme)	Left Hand (Mano Izquierda) 
1+2+4	TAA20602A551	TAB20602A551	≤0.5 m/s	W/O	TAA177AK1 (OS)+ TAA177AK6 (OSU)	
	TAA20602A552	TAB20602A552	0.63 m/s			
	TAA20602A553	TAB20602A553	1 m/s			
	TAA20602A554	TAB20602A554	1.6 m/s			
	TAA20602A555	TAB20602A555	2.5 m/s			
	TAA20602A556	TAB20602A556	0.75 m/s			
	TAA20602A557	TAB20602A557	0.8 m/s			
	TAA20602A558	TAB20602A558	1.5 m/s			
	TAA20602A559	TAB20602A559	1.75 m/s			
	TAA20602A560	TAB20602A560	2 m/s			
1+2+5	TAA20602A570	TAB20602A570	1 m/s			




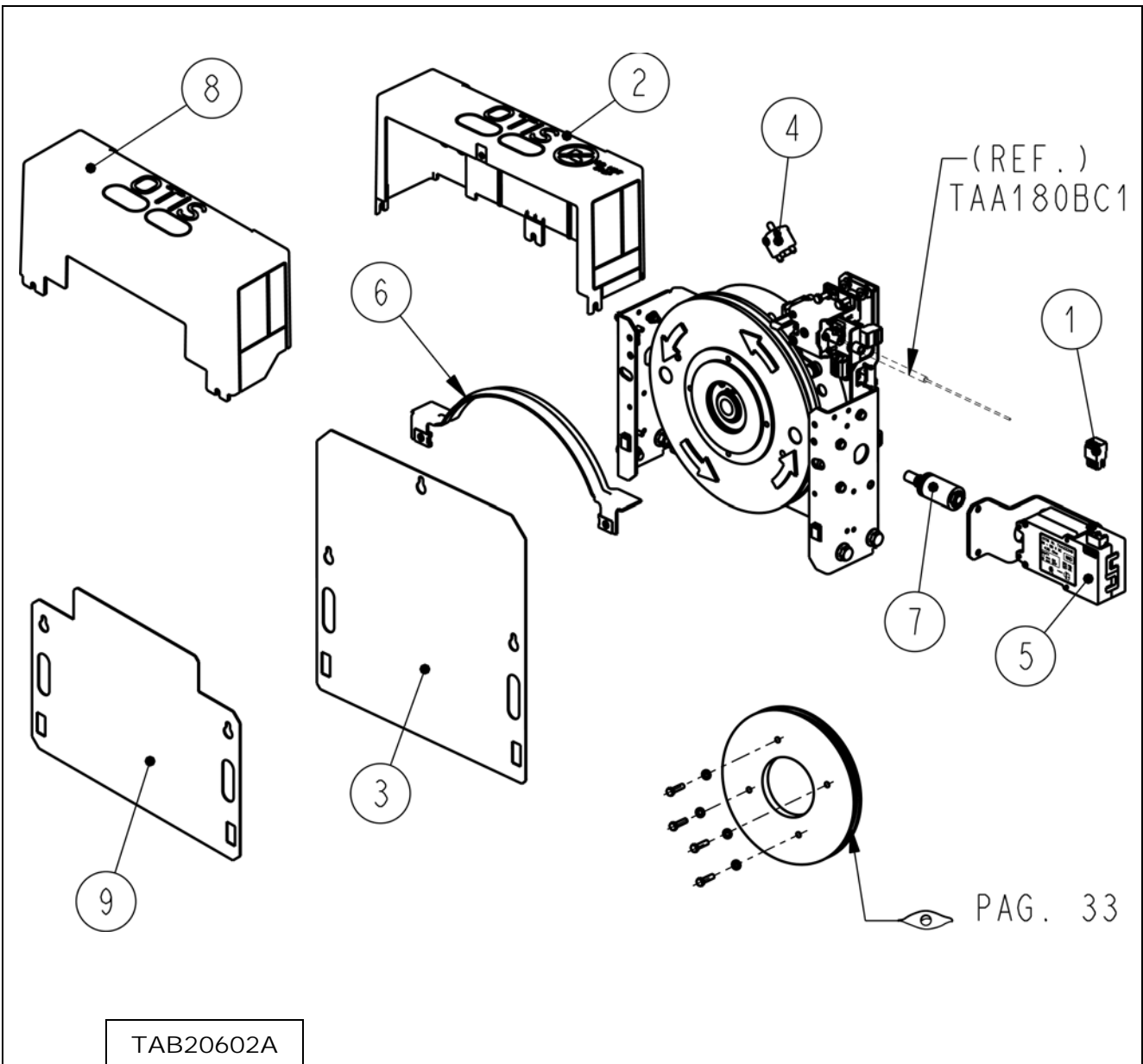
TAB20602A		
REF. No.	PART or M.L.	DESCRIPTION
1	FAA176E3	Plug (WAGO Ref. 721-603 / 000-024) [Connector]
2	TAA346EV2	Cover (Tapa)
3	TAA386FJ1	Cover (Tapa)
4	TAA5000AS1	Manual Tripping Device (Disparador Manual)
5	TAA330AX2	Remote Tripping Device (Disparador Remoto)
6	FAA330F1	Remote Tripping Device (Disparador Remoto)
7	TAA384FK1	Rope Guard (Guarda Cable)

Governor (Limitador)

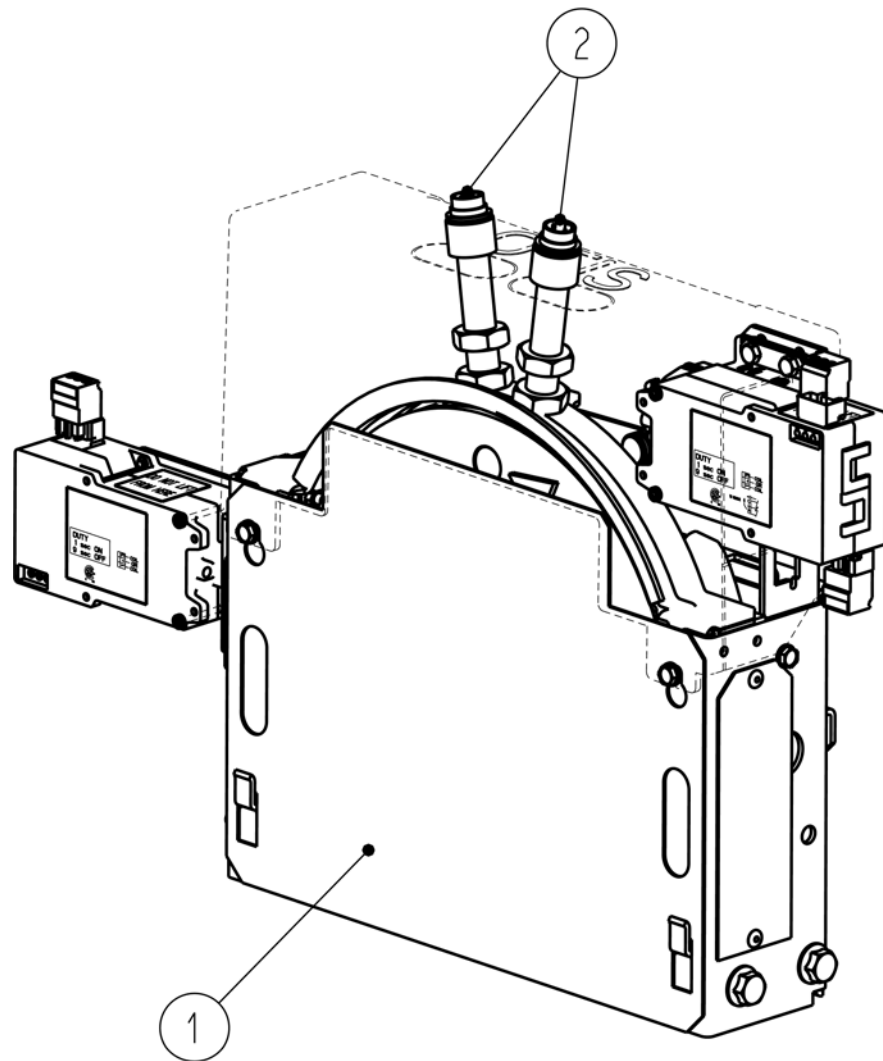
15-T..20602A




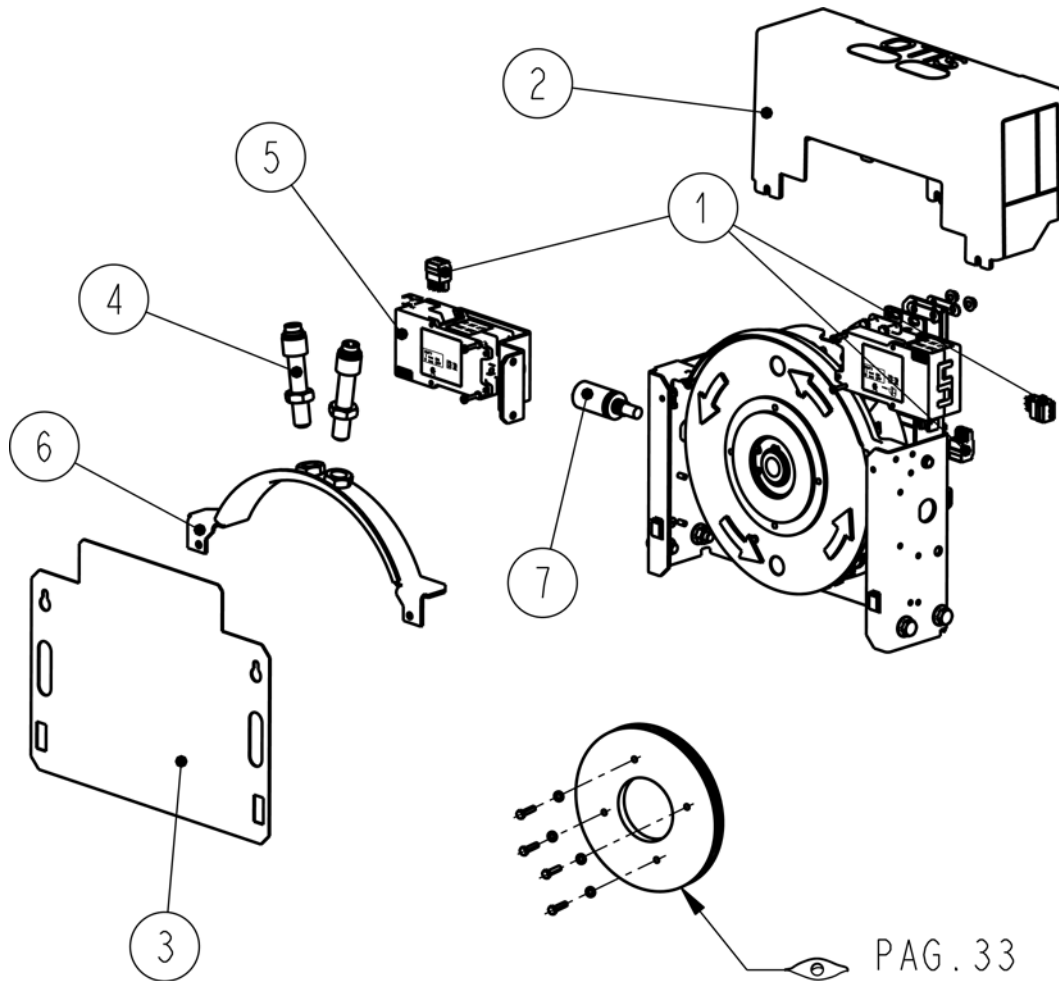
		TAB20602A	DESCRIPTION				
REF. No.	Assembly (Ensamble)	Assembly (Ensamble)	Rated (Vel. Nom.)	Volt. DC	Remote Tripping (Disparo Automatico)	Switch Resetting (Contacto Rearme)	Left Hand (Mano Izquierda)
1	---	TAB20602A340	1.5 m/s	110 V	TAA330AX2	TAA177BP1	
	---	TAB20602A343	1.75 m/s				
2	TAB20602A361	TAB20602A971	1 m/s				
	TAB20602A362	TAB20602A972	1.6 m/s				



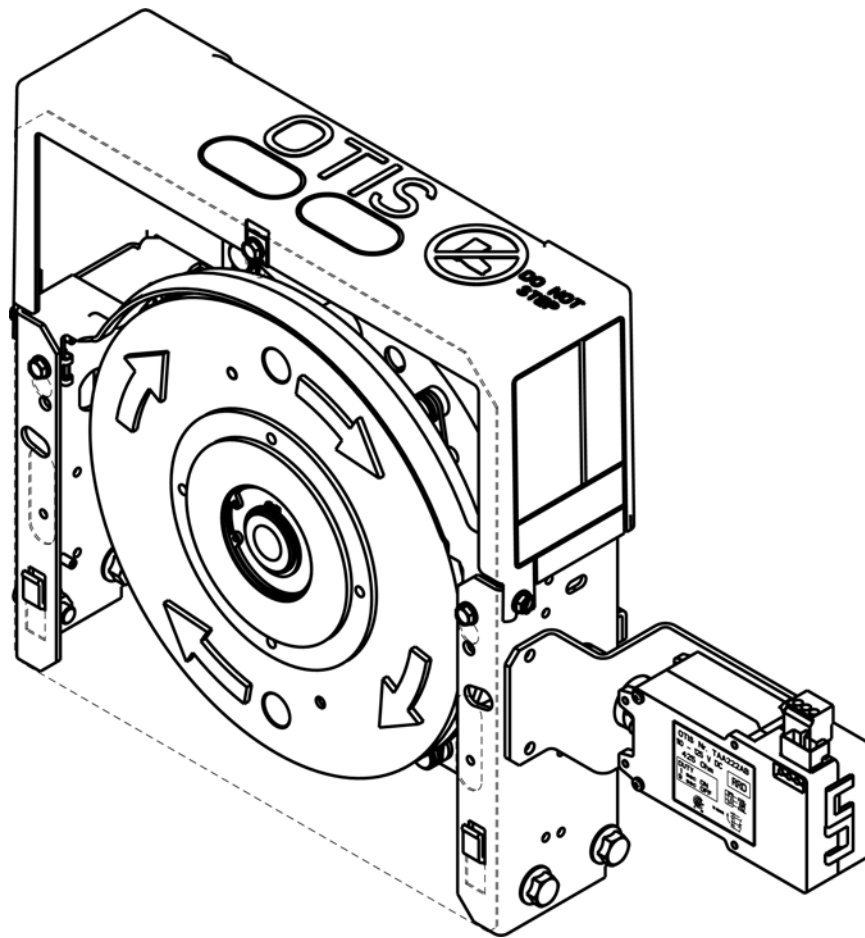
REF. No.	PART or M.L.	DESCRIPTION
	TAB20602A	
1	FAA176E3	Plug (WAGO Ref. 721-603 / 000-024) [Connector]
2	TAA386NJ1	Cover (Tapa)
3	TAA346MX1	Cover (Tapa)
4	TAA177BJ1	Switch (Interruptor)
5	TAA330AX2	Remote Tripping Device (Disparador Remoto)
6	TAA384FK1	Rope Guard (Guarda Cable)
7	TAA5000AS1	Manual Tripping Device (Disparador Manual)
8	TAA346EV2	Cover (Tapa)
9	TAA386FJ1	Cover (Tapa)




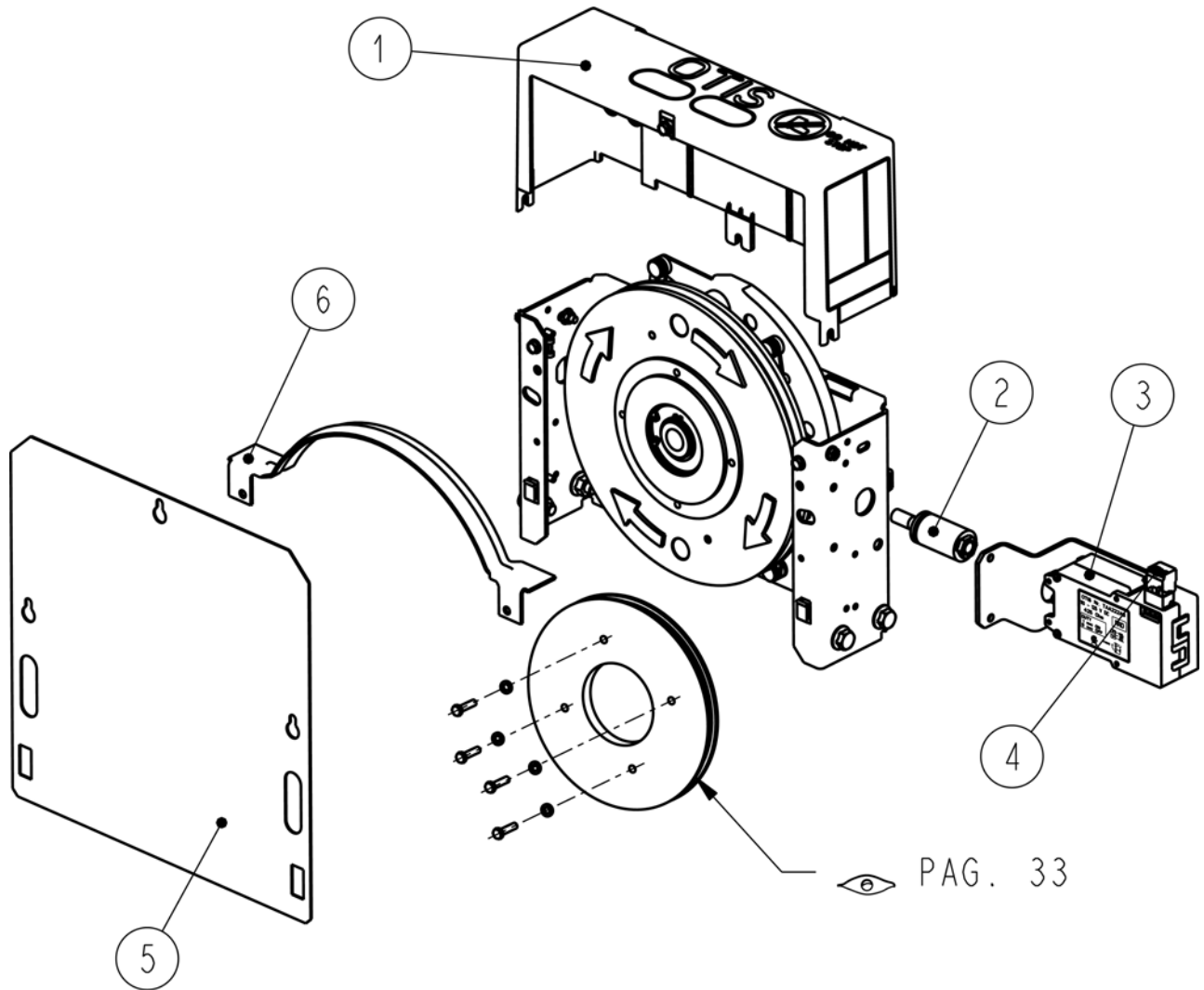
		TAB20602A	DESCRIPTION			
REF. No.	Assembly (Ensamble)	Assembly (Ensamble)	Rated (Vel. Nom.)	Support (Soportes)	Switch Resetting (Contacto Rearme)	Left Hand (Mano Izquierda)
1+2	TAA20602A391	TAB20602A392	1 m/s	W/O	TAA177AK1	
	---	TAB20602A393				
1	---	TAB20602A395				
	---	TAB20602A396				



REF. No.	PART or M.L.	DESCRIPTION
	TAB20602A	
1	FAA176E3	Plug (WAGO Ref. 721-603 / 000-024) [Connector]
2	TAA346EV3	Cover (Tapa)
3	TAA386FJ1	Cover (Tapa)
4	TAA633D1	Encoder
5	TAA330AX1	Remote Tripping Device (Disparador Remoto)
6	TAA384GE2	Rope Guard (Guarda Cable)
7	TAA5000AS1	Manual Tripping Device (Disparador Manual)

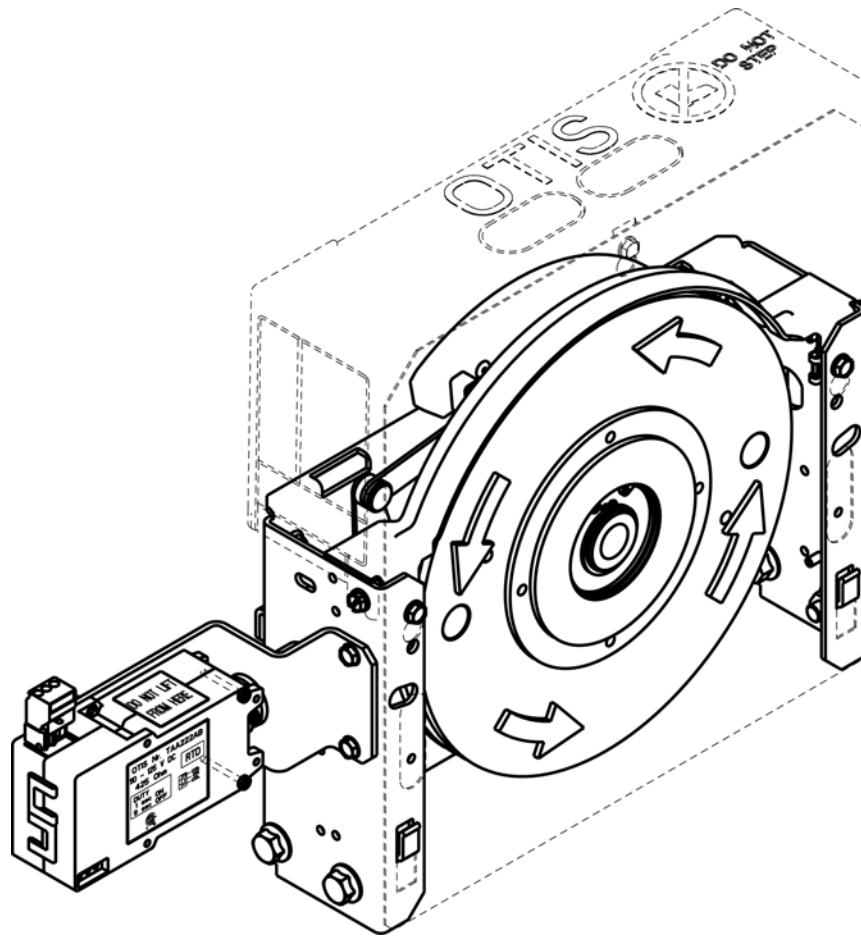


		TAB20602A	DESCRIPTION				
REF. No.	Assembly (Ensamble)	Assembly (Ensamble)	Rated (Vel. Nom.)	Volt. DC	Remote Tripping (Disparo Automatico)	Switch w/ Resetting (Contacto con Rearme)	Right Hand (Mano Dcha.)
	TAA20602A276	TAB20602A831	1 m/s	24 V	TAA330CC4	W/O	
	TAA20602A277	TAB20602A832	1.5 m/s				
	TAA20602A278	TAB20602A833	1.6 m/s				
	TAA20602A279	TAB20602A834	1.75 m/s				
	TAA20602A263	TAB20602A851	1 m/s	110 V	TAA330AX2		
	TAA20602A266	TAB20602A852	1.5 m/s				
	TAA20602A264	TAB20602A853	1.6 m/s				
	TAA20602A269	TAB20602A854	1.75 m/s				

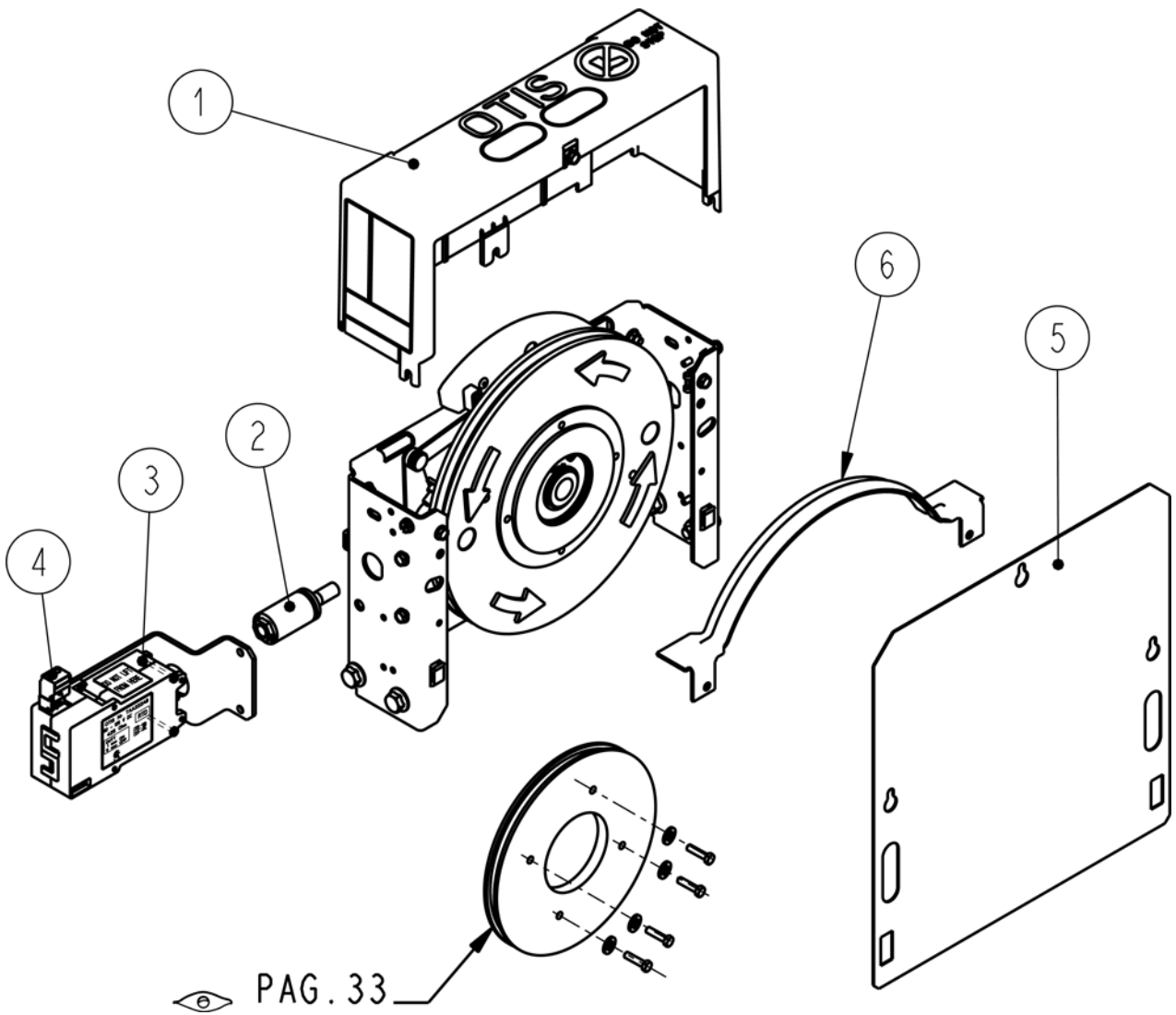


TAB20602A

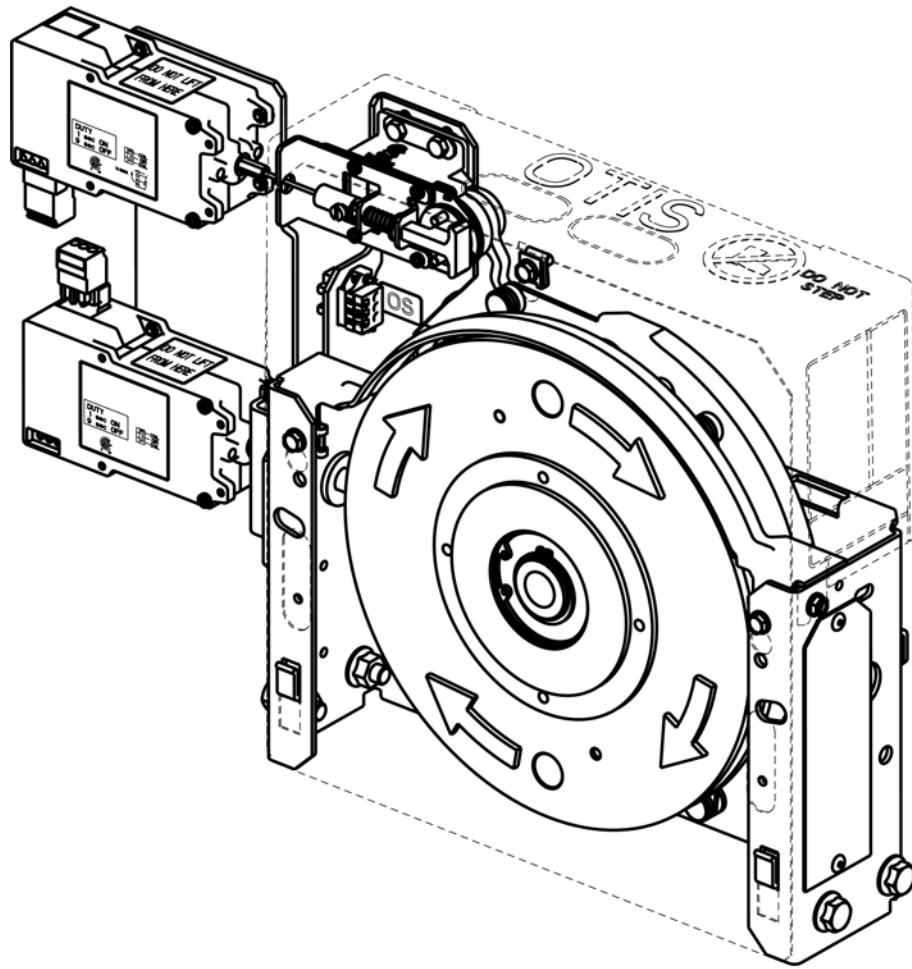
REF. No.	PART or M.L.	DESCRIPTION
1	TAA386NJ1	Cover (Tapa)
2	TAA5000AS1	Manual Tripping Device (Disparador Manual)
3	TAA330AX2	Remote Tripping Device (Disparador Remoto), 110 V
	TAA330CC4	Remote Tripping Device (Disparador Remoto), 24 V
4	FAA176E3	Plug (WAGO Ref. 721-603 / 000-024) [Connector]
5	TAA346MX1	Cover (Tapa)
6	TAA384FK1	Rope Guard (Guarda Cable)





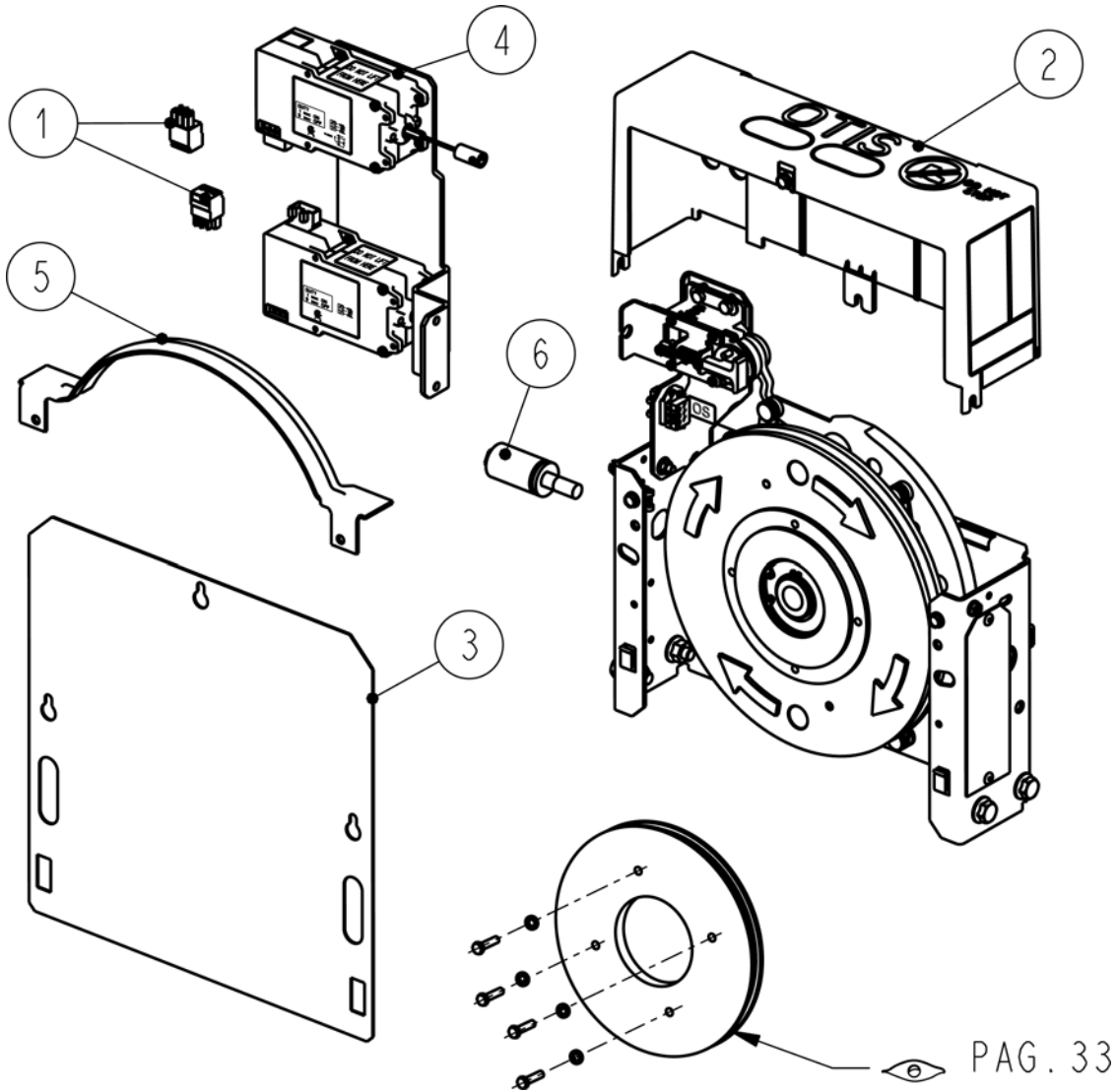
REF. No.	Assembly (Ensamble)	TAB20602A	DESCRIPTION				
		Assembly (Ensamble)	Rated (Vel. Nom.)	Volt. DC	Remote Tripping (Disparo Automatico)	Switch Resetting (Contacto Rearme)	Left Hand (Mano Izquierda)
	TAA20602A376	TAB20602A931	1 m/s	24 V	TAA330CC3	W/O	
	TAA20602A377	TAB20602A932	1.5 m/s				
	TAA20602A378	TAB20602A933	1.6 m/s				
	TAA20602A379	TAB20602A934	1.75 m/s				
	TAA20602A338	TAB20602A951	1 m/s	110 V	TAA330AX1		
	TAA20602A339	TAB20602A953	1.5 m/s				
	TAA20602A341	TAB20602A952	1.6 m/s				
	TAA20602A344	TAB20602A954	1.75 m/s				



REF. No.	PART or M.L.	DESCRIPTION
	TAB20602A	
1	TAA386NJ1	Cover (Tapa)
2	TAA5000AS1	Manual Tripping Device (Disparador Manual)
3	TAA330CC3	Remote Tripping Device (Disparador Remoto), 24 V
	TAA330AX1	Remote Tripping Device (Disparador Remoto), 110 V
4	FAA176E3	Plug (WAGO Ref. 721-603 / 000-024) [Connector]
5	TAA346MX1	Cover (Tapa)
6	TAA384FK1	Rope Guard (Guarda Cable)



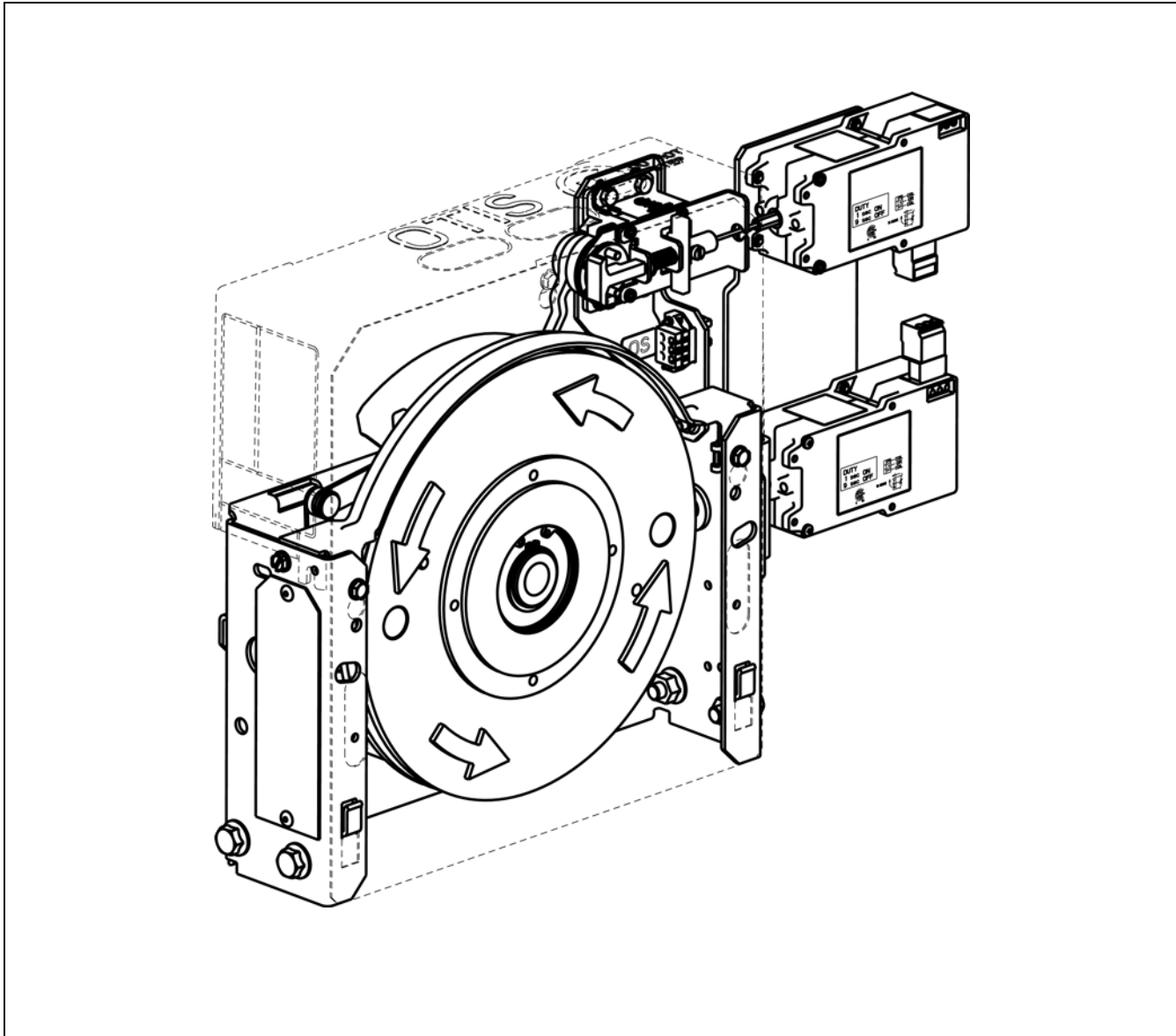
REF. No.	Assembly (Ensamble)	TAB20602A		DESCRIPTION			
		Assembly (Ensamble)	Rated (Vel. Nom.)	Volt. DC	Remote Tripping (Disparo Automatico)	Switch Resetting (Contacto Rearme)	Right Hand (Mano Dcha.)
	TAA20602A801	TAB20602A811	1 m/s	110 V	TAA180BJ3	TAA177CA2	
	TAA20602A802	TAB20602A812	1.5 m/s				
	TAA20602A803	TAB20602A813	1.6 m/s				
	TAA20602A804	TAB20602A814	1.75 m/s				
	TAA20602A272	TAB20602A892	1 m/s	24 V	TAA180BJ1	TAA177CA2	
	TAA20602A273	TAB20602A893	1.5 m/s				
	TAA20602A274	TAB20602A894	1.6 m/s				
	TAA20602A275	TAB20602A895	1.75 m/s				

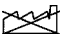
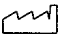




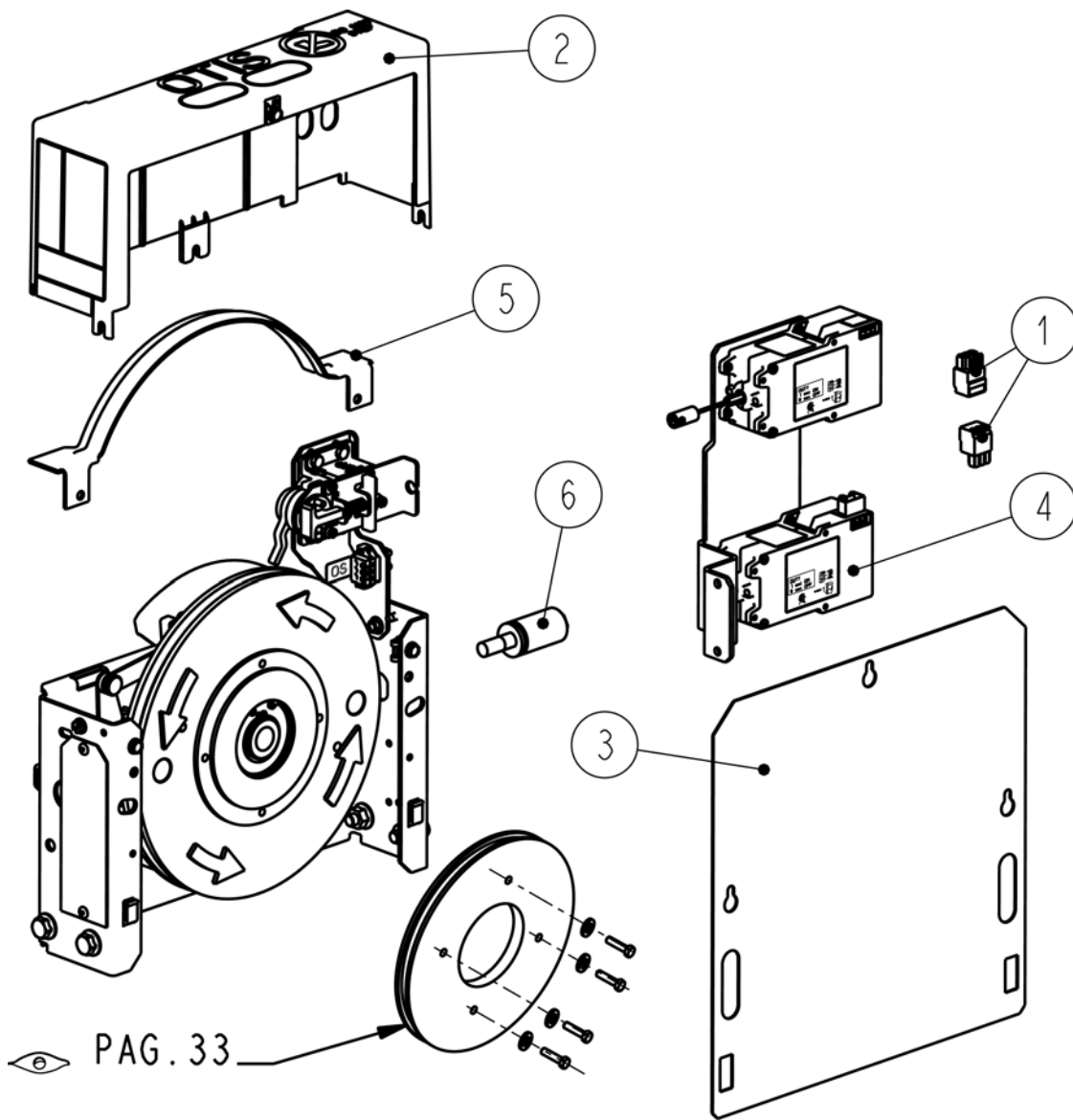
REF. No.	PART or M.L.	DESCRIPTION
	TAB20602A	
1	FAA176E3	Plug (WAGO Ref. 721-603 / 000-024) [Connector]
2	TAA386NJ1	Cover (Tapa)
3	TAA346MX1	Cover (Tapa)
4	TAA180BJ1	Remote Tripping Device (Disparador Remoto), 24 V DC
	TAA180BJ3	Remote Tripping Device (Disparador Remoto), 110 V DC
5	TAA384FK1	Rope Guard (Guarda Cable)
6	TAA5000AS1	Manual Tripping Device (Disparador Manual)

Governor (Limitador)

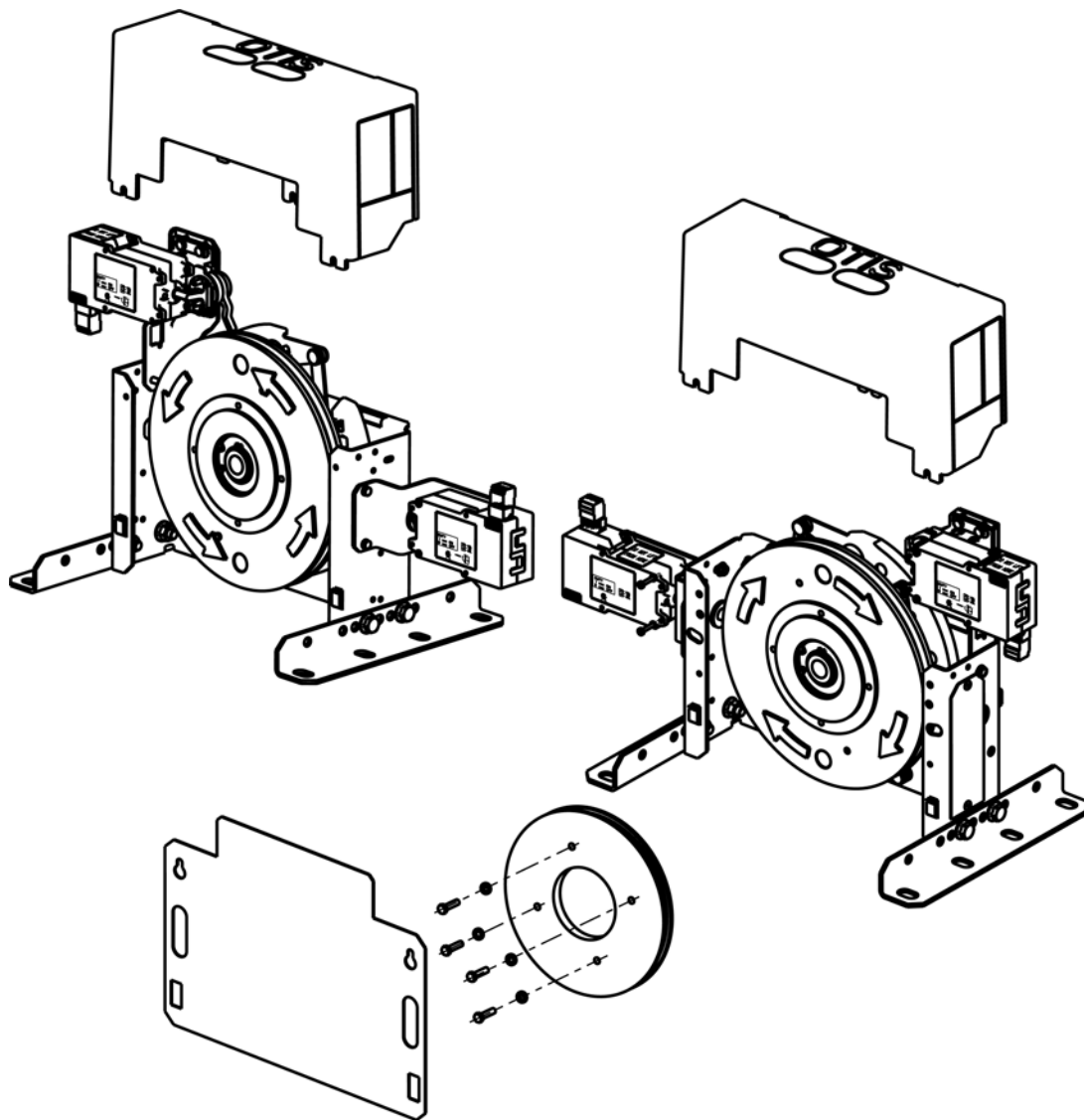
15-T..20602A



		TAB20602A	DESCRIPTION				
REF. No.	Assembly (Ensamble) 	Assembly (Ensamble) 	Rated (Vel. Nom.)	Volt. DC	Remote Tripping (Disparo Automatico)	Switch Resetting (Contacto Rearme)	Left Hand (Mano Izquierda) 
	TAA20602A901	TAB20602A911	1 m/s	110 V	TAA180BJ4	TAA177CA1	
	TAA20602A902	TAB20602A912	1.5 m/s				
	TAA20602A903	TAB20602A913	1.6 m/s				
	TAA20602A904	TAB20602A914	1.75 m/s				
	TAA20602A372	TAB20602A992	1 m/s	24 V	TAA180BJ2		
	TAA20602A373	TAB20602A993	1.5 m/s				
	TAA20602A374	TAB20602A994	1.6 m/s				
	TAA20602A375	TAB20602A995	1.75 m/s				



REF. No.	PART or M.L.	DESCRIPTION
	TAB20602A	
1	FAA176E3	Plug (WAGO Ref. 721-603 / 000-024) [Connector]
2	TAA386NJ1	Cover (Tapa)
3	TAA346MX1	Cover (Tapa)
4	TAA180BJ1	Remote Tripping Device (Disparador Remoto), 24 V DC
	TAA180BJ3	Remote Tripping Device (Disparador Remoto), 110 V DC
5	TAA384FK1	Rope Guard (Guarda Cable)
6	TAA5000AS1	Manual Tripping Device (Disparador Manual)



<p>NOMINAL RATIO TRIPPING SPEED GNR:----- NOMINAL SPEED</p>	<p>TEST SHEAVE RATIO (TSR)</p>	<p>TEST SHEAVE ∅ mm</p>	<p>TEST SHEAVE (With screws)</p>
<p>TO OBTAIN GNR: -TAKE TRIPPING SPEED FROM MAX.VALUE OF ADJUSTING INTERVAL AND DIVIDE BY NOMINAL SPEED. -TEST SHEAVE ARRANGEMENT WILL BE CHOSEN IN SUCH A WAY AS TO "TSR" WILL BE EITHER EQUAL OR IMMEDIATELY HIGHER THAN "GNR".</p>	1.75	128	K0353D8
	1.59	141	K0353D5
	1.47	152	K0353D6
	1.31	171	K0353D7