

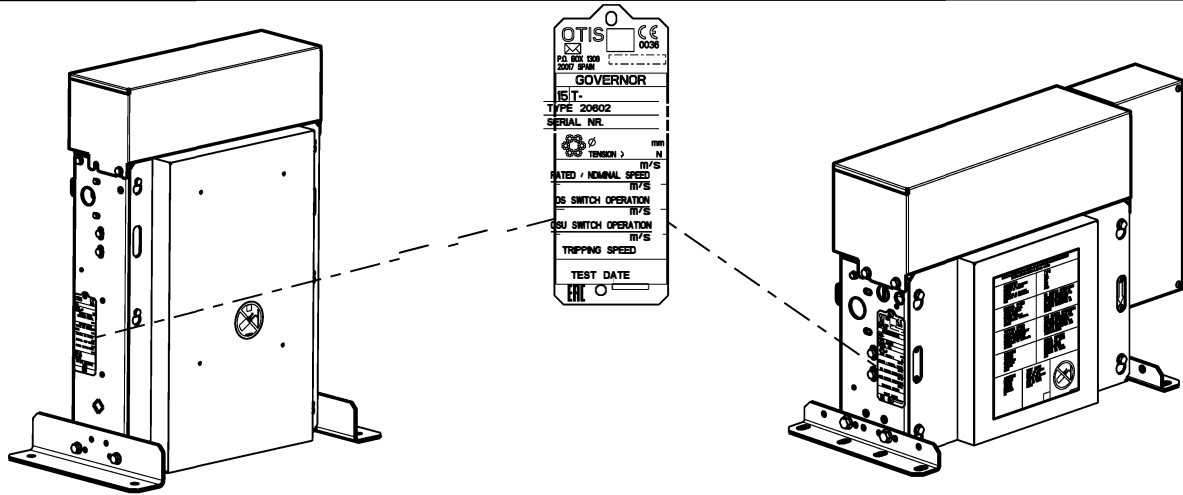
# APOLO B GOVERNOR

TRACTION SYSTEM SHEAVE  $\varnothing$ 305mm

Spare Parts Leaflet

15-TAA20602B

JAN-2021 / Page 1 of 16



15

TAA20602B  
 TAB20602B  
 TAC20602B  
 TBA20602B

SERIAL

15

TCA20602B

SERIAL



OTIS  CE 0036

15T- \_\_\_\_\_

ROPE: 85 MM

8X19 STEEL

RATED SPEED \_\_\_\_\_

\_\_\_\_\_ MPS \_\_\_\_\_ FPM

OS SWITCH SPEED \_\_\_\_\_

\_\_\_\_\_ MPS \_\_\_\_\_ FPM

OSU SWITCH SPEED \_\_\_\_\_

\_\_\_\_\_ MPS \_\_\_\_\_ FPM

TRIPPING SPEED \_\_\_\_\_

\_\_\_\_\_ MPS \_\_\_\_\_ FPM

SERIAL NR \_\_\_\_\_

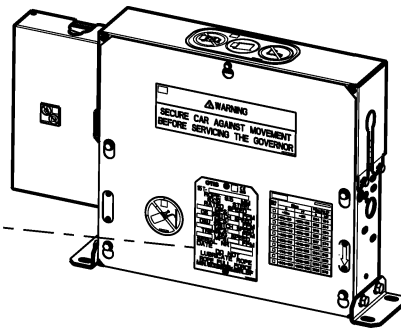
DATE \_\_\_\_\_

DO NOT LUBRICATE ROPE

ROPE PULL FORCE

MIN. 6000N/2405 LBF

TAA20602B



Unpublished Work © Otis Elevator Co. 2002

# OTIS

Safety First!

OTIS Engineering Center  
 Madrid  
 Otis Elevator Company

## Leaflet Description

THE FOLLOWING DOCUMENT DESCRIBES THE SPARE PARTS / ASSEMBLIES ALLOWED FOR TAA20602B GOVERNOR ( APOLO B GOVERNOR ).

- GOVERNOR WITH HIGH CASE AND OS SWITCH  
REF. TO PAGES 3 AND 4
- GOVERNOR W/ OR W/O OS SWITCH AND ELECTRICAL TRIPPING  
REF. TO PAGES 5 TO 9
- GOVERNOR WITH OS SWITCH AND ELECTRICAL TRIPPING-RESSETTING  
REF. TO PAGES 10 TO 15

## Leaflet Revisions

Date Revised	Subjetc Matter Expert	Reason for Revision
JUNE 2016	J.M. AGUADO	DOCUMENT UPDATED
APRIL 2019	J.M. AGUADO	ADDED ARGTS B271+B282, B721+B724, B821+B824
JANUARY 2021	J.M. AGUADO	USE UPDATED, CODE ADDED

## Related Drawings

Drawing No.	Title	Drawing No.	Title
TCA20602B	SPEED GOVERNOR TRACTION		

## Related Documents

Document ID	Title
TCA20602B_BD	BASIC DATA

## Subject Matter Expert

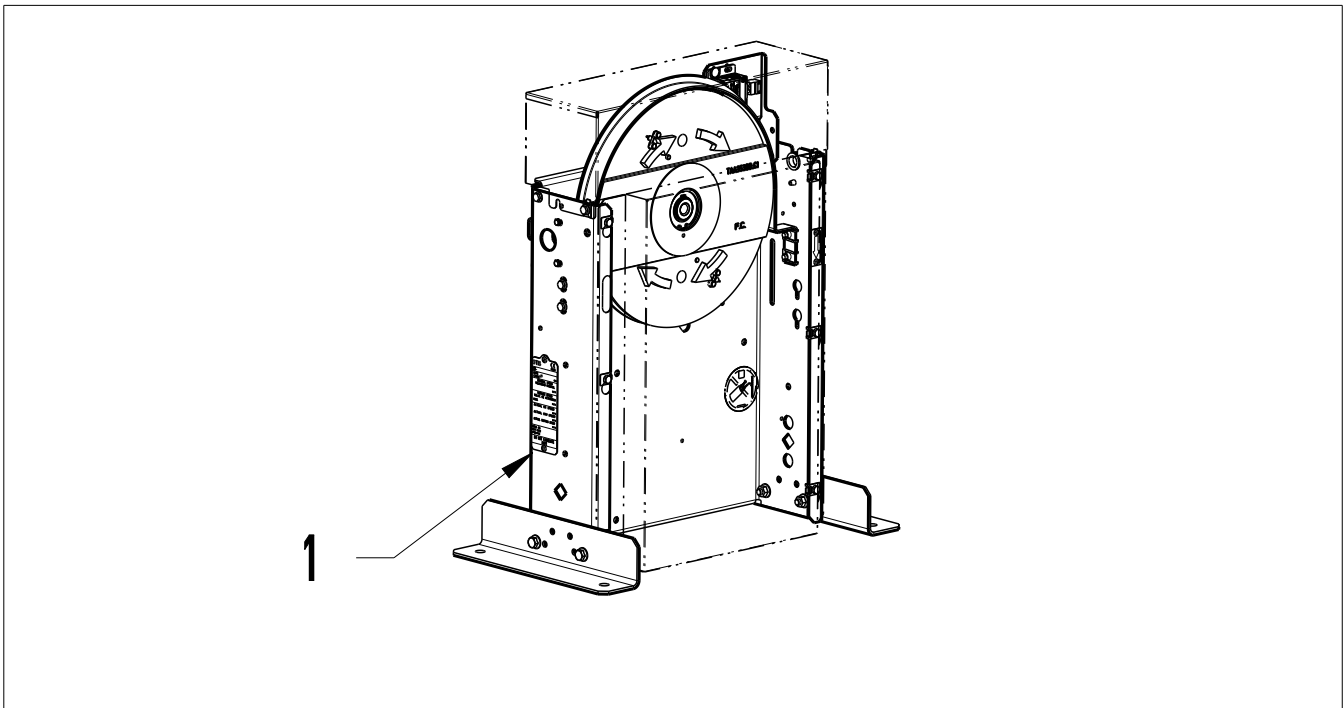
Name	Department
J. M. AGUADO	OEC-MADRID

## About Spare Parts Leaflets ...

This document lists the lowest replaceable units (LRUs) for the standard version of the product. The LRUs are chosen by the team of Otis associates representing engineering and manufacturing.


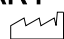

While goal of this document is to make parts identification as easy as possible, the document can not be all-inclusive. Elevator and escalator contracts classified as "special" or "custom" are not addressed here. For such contracts, please refer to specified information, the contract folder, TIPs, Field Education Articles, Construction Letters, etc. for further information.

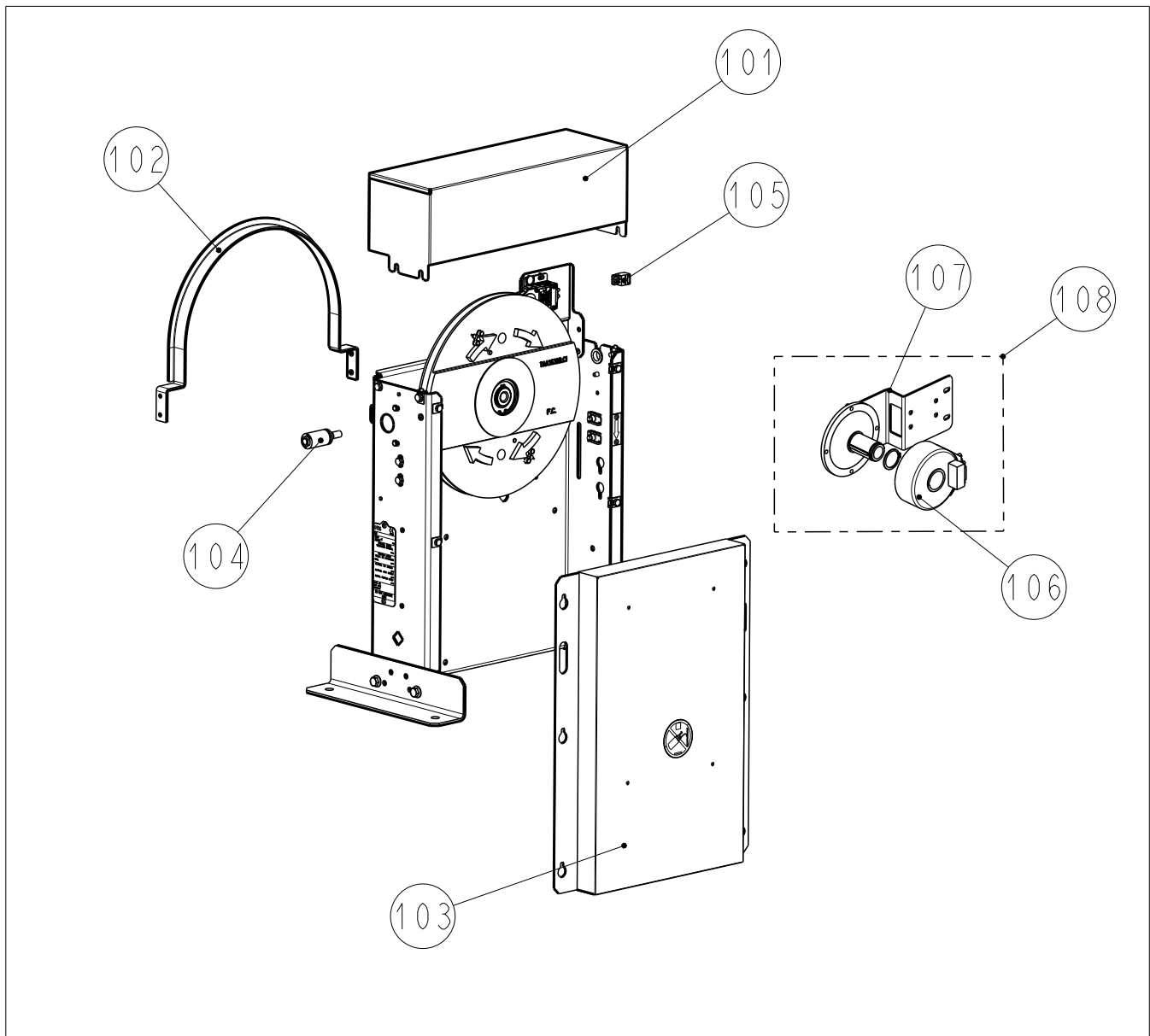
If you have any suggestions about this document, please contact the subject matter expert listed on this page.



\*

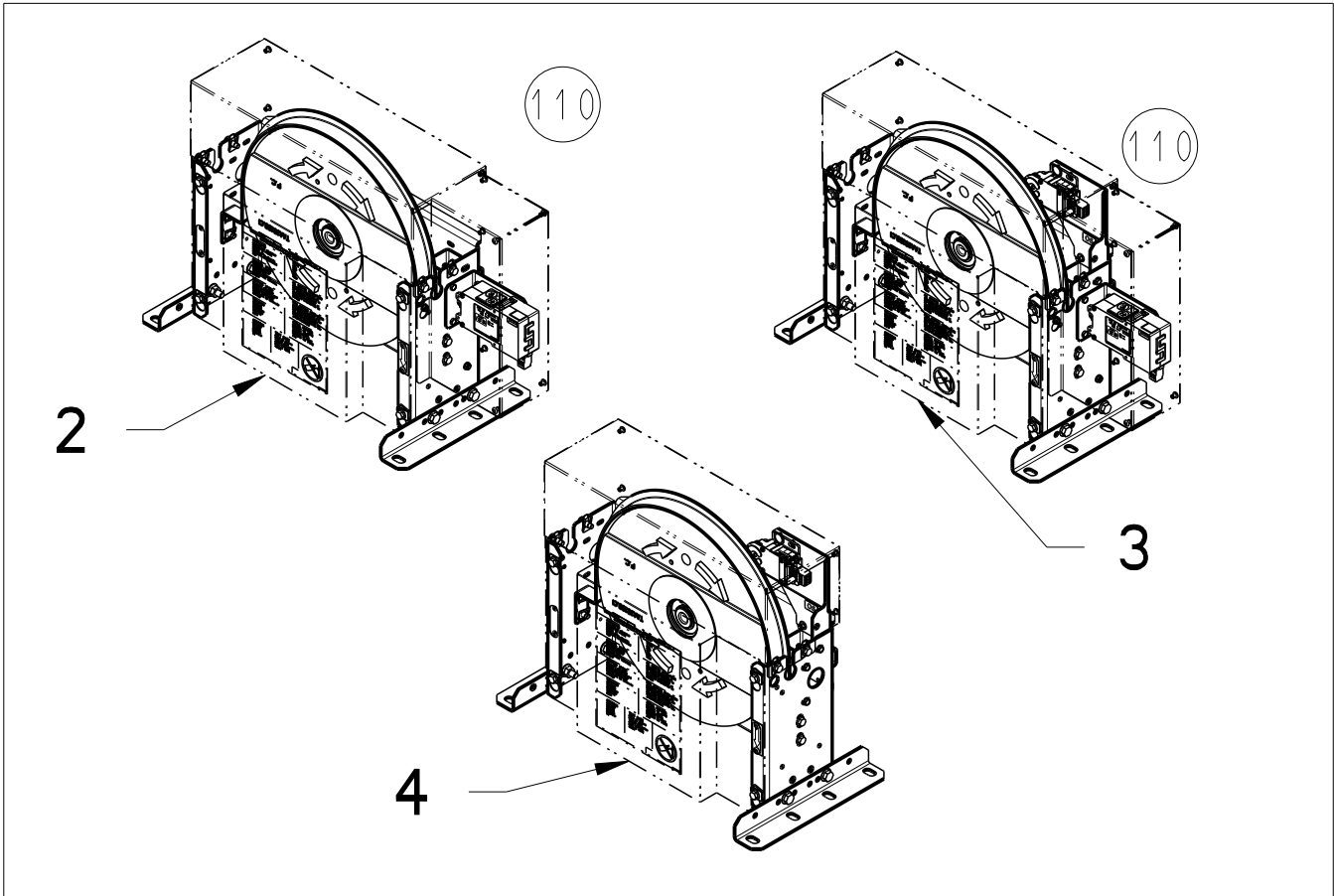
FOR INSTALLATIONS COMPLIANT WITH DIRECTIVE 2014/33/EU ,  
 IN CASE OF REPLACEMENT OF THE COMPLETE GOVERNOR, ELEVATOR RECORD  
 INCLUDING GOVERNOR SERIAL NUMBER MUST BE UPDATED AS PER DIRECTIVE REQUEST, FOR TRACEABILITY.

	TAA/TAB/TAC/ TBA20602B	TCA20602B	DESCRIPTION						
REF. No.	PART No. 	PART No. 	RATED	Ø ROPE	USE	OS SWITCH	ELECTRICAL TRIPPING	HAND	
* 1	T..20602B1	TCA20602B31	≤ 0.5 m/s	Ø 8	CAR EN81	W/	W/O		
	T..20602B2	TCA20602B32	0.63 m/s						
	T..20602B3	TCA20602B33	1 m/s						
	T..20602B4	TCA20602B34	1.6 m/s						
	T..20602B5	TCA20602B35	2.5 m/s						
	T..20602B6	TCA20602B36	≤ 0.5 m/s	Ø 9.5					
	T..20602B7	TCA20602B37	0.63 m/s						
	T..20602B8	TCA20602B38	1 m/s						
	T..20602B9	TCA20602B39	1.6 m/s						
	T..20602B10	TCA20602B40	2.5 m/s	Ø 8					
	T..20602B11	TCA20602B41	1.5 m/s						
	T..20602B12	TCA20602B42	1.75 m/s						
	T..20602B13	TCA20602B43	2 m/s	Ø 9.5					
	T..20602B14	TCA20602B44	1.5 m/s						
	T..20602B15	TCA20602B45	1.75 m/s						
	T..20602B16	TCA20602B46	2 m/s						



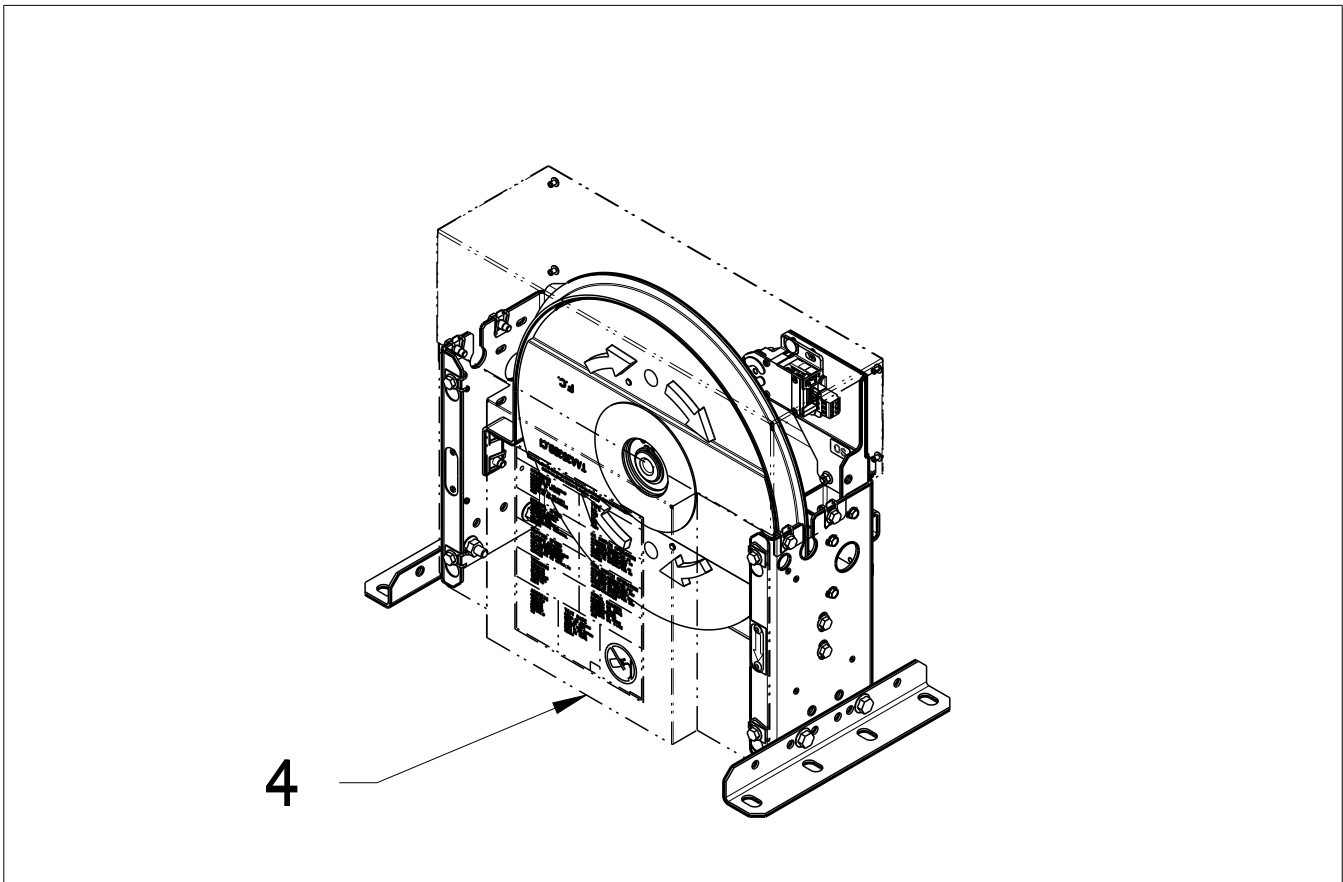
REF. No.	W/O VINTAGE PART No.	DESCRIPTION
101	TAA346EB3	COVER
102	TAA384CH1	ROPE GUARD
103	TAA386FJ3	COVER
104	TAB5000AS1	MANUAL TRIPPING DEVICE
105	FAA176E3	PLUG (WAGO REF.721-603/000-024)
106	TAA633A1	ENCODER (ONLY FOR TAA - TAB - TAC20602B)
107	TAB5500BE2	ENCODER FASTENING (ONLY FOR TAA - TAB - TAC20602B)
108	TAB5500BE1	EQUIPED ENCODER (ONLY FOR TAA - TAB - TAC20602B)



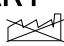




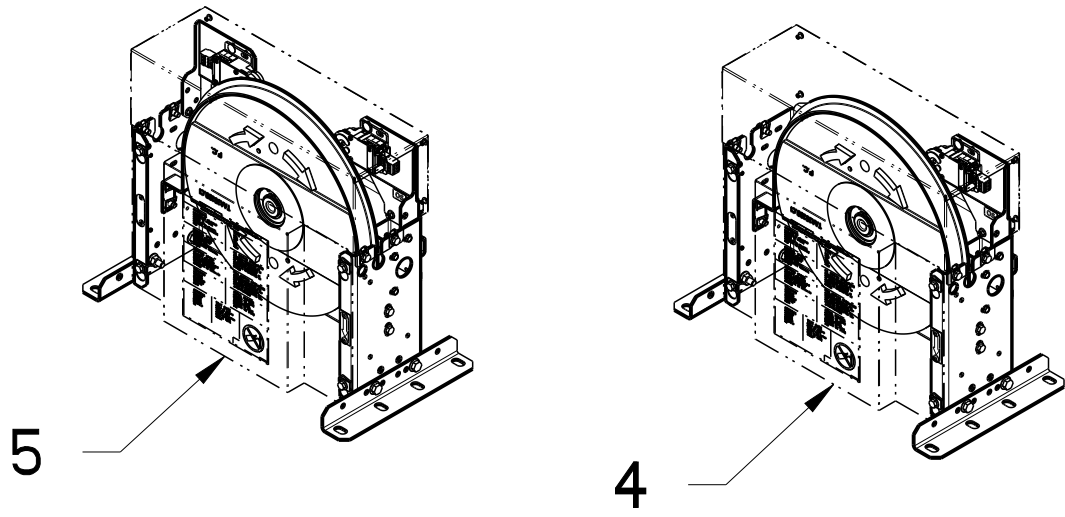
\* FOR INSTALLATIONS COMPLIANT WITH DIRECTIVE 2014/33/EU ,  
 IN CASE OF REPLACEMENT OF THE COMPLETE GOVERNOR, ELEVATOR RECORD  
 INCLUDING GOVERNOR SERIAL NUMBER MUST BE UPDATED AS PER DIRECTIVE REQUEST, FOR TRACEABILITY.

REF. No.	TAA/TAB/TAC/ TBA20602B	TCA20602B	DESCRIPTION						
	PART No. 	PART No. 	RATED	Ø ROPE	USE	OS SWITCH	ELECTRICAL TRIPPING	HAND	
* 2	T..20602B21	TCA20602B21+ TAA176ACW1	0.63 m/s	Ø 9.5	CWT		W/O		
	T..20602B22	TCA20602B22+ TAA176ACW1	0.75 m/s						
* 3	T..20602B23	TCA20602B23+ TAA176ACW1	0.63 m/s	Ø 9.5			W/		
	T..20602B24	TCA20602B24+ TAA176ACW1	0.75 m/s						
* 4	T..20602B31	TCA20602B31	≤ 0.5 m/s	Ø 8	CAR	EN81	W/		
	T..20602B32	TCA20602B32	0.63 m/s						
	T..20602B33	TCA20602B33	1 m/s						
	T..20602B34	TCA20602B34	1.6 m/s						
	T..20602B35	TCA20602B35	2.5 m/s	Ø 9.5				W/O	
	T..20602B36	TCA20602B36	≤ 0.5 m/s						
	T..20602B37	TCA20602B37	0.63 m/s						
	T..20602B38	TCA20602B38	1 m/s						
	T..20602B39	TCA20602B39	1.6 m/s						
	T..20602B40	TCA20602B40	2.5 m/s						



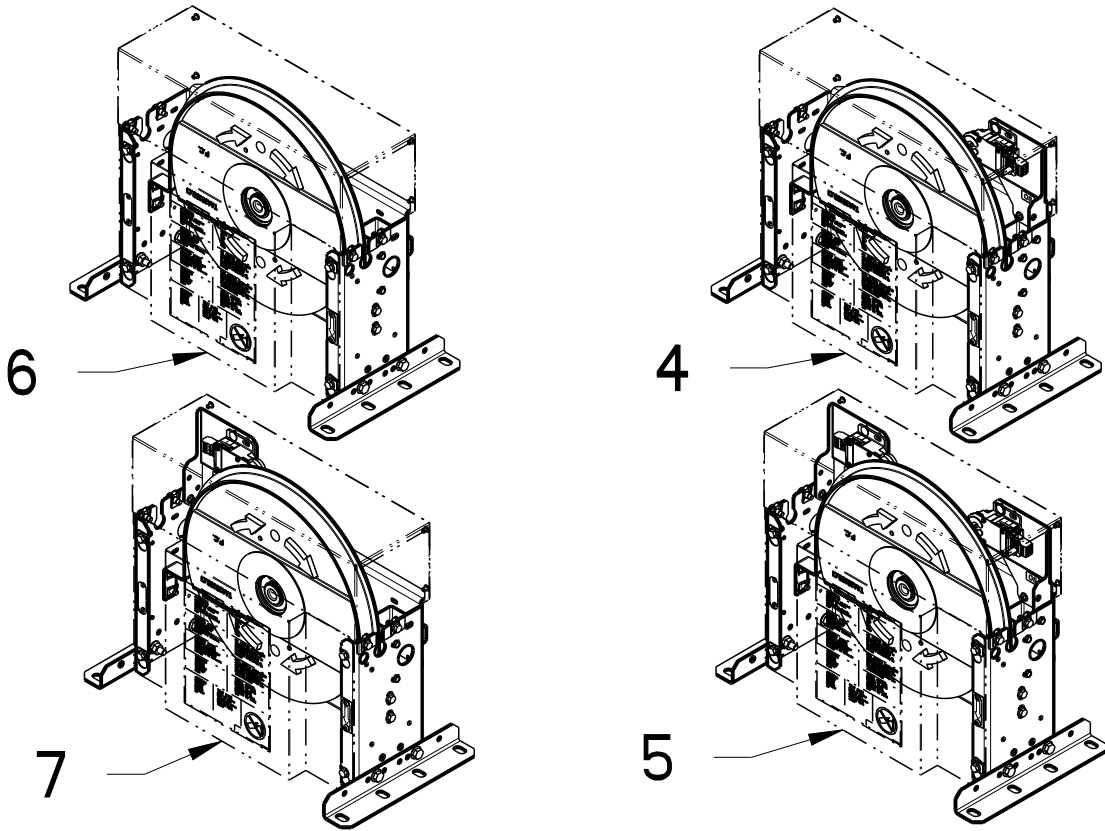
\* FOR INSTALLATIONS COMPLIANT WITH DIRECTIVE 2014/33/EU ,  
 IN CASE OF REPLACEMENT OF THE COMPLETE GOVERNOR, ELEVATOR RECORD  
 INCLUDING GOVERNOR SERIAL NUMBER MUST BE UPDATED AS PER DIRECTIVE REQUEST, FOR TRACEABILITY.

	TAA/TAB/TAC/ TBA20602B	TCA20602B	DESCRIPTION						
REF. No.	PART No. 	PART No. 	RATED	Ø ROPE	USE	OS SWITCH	ELECTRICAL TRIPPING	HAND	
* 4	T..20602B41	TCA20602B41	1.5 m/s	Ø 8	CAR	EN81	W/	W/O	
	T..20602B42	TCA20602B42	1.75 m/s						
	T..20602B43	TCA20602B43	2 m/s						
	T..20602B44	TCA20602B44	1.5 m/s	Ø 9.5					
	T..20602B45	TCA20602B45	1.75 m/s						
	T..20602B46	TCA20602B46	2 m/s						
	T..20602B47	TCA20602B47	0.75 m/s						
	T..20602B48	TCA20602B48	1.33 m/s	Ø 8					
	T..20602B49	TCA20602B49	1.33 m/s						
	T..20602B50	TCA20602B50	0.7 m/s	Ø 9.5					
	T..20602B51	TCA20602B51	0.8 m/s						
	T..20602B52	TCA20602B52	1.25 m/s						



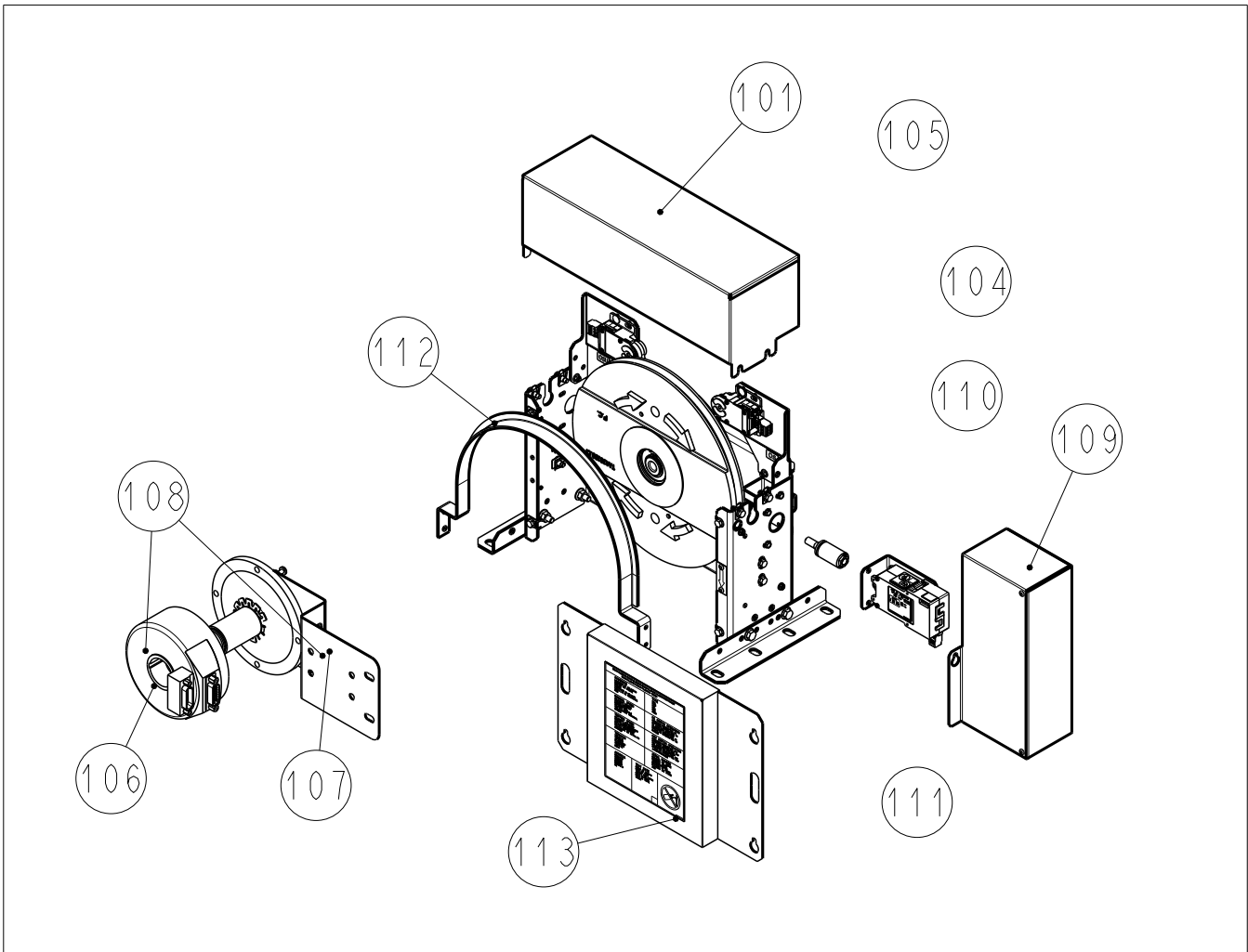
\* FOR INSTALLATIONS COMPLIANT WITH DIRECTIVE 2014/33/EU ,  
 IN CASE OF REPLACEMENT OF THE COMPLETE GOVERNOR, ELEVATOR RECORD  
 INCLUDING GOVERNOR SERIAL NUMBER MUST BE UPDATED AS PER DIRECTIVE REQUEST, FOR TRACEABILITY.

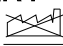

REF. No.	TAA/TAB/TAC/ TBA20602B	TCA20602B	DESCRIPTION						
	PART No.	PART No.	RATED	Ø ROPE	USE	OS:OSU SWITCH	ELECTRICAL TRIPPING	HAND	
* 5	T..20602B100	TCA20602B100	0.63 m/s	Ø 8	CAR	EN81	W/ ONLY "OS"	W/O	
	T..20602B101	TCA20602B101	0.75 m/s						
	T..20602B102	TCA20602B102	1.0 m/s						
	T..20602B103	TCA20602B103	1.2 m/s						
	T..20602B104	TCA20602B104	1.5 m/s						
	T..20602B105	TCA20602B105	1.6 m/s						
* 4	T..20602B106	TCA20602B106	≤0.5 m/s						
* 5	T..20602B107	TCA20602B107	1.0 m/s						
	T..20602B108	TCA20602B108	≤0.5 m/s						
	T..20602B109	TCA20602B109	2.0 m/s						
	T..20602B110	TCA20602B110	2.5 m/s						
	T..20602B111	TCA20602B111	≤1.0 m/s						

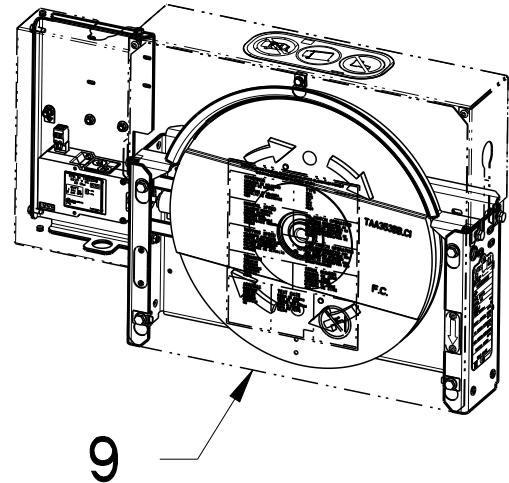
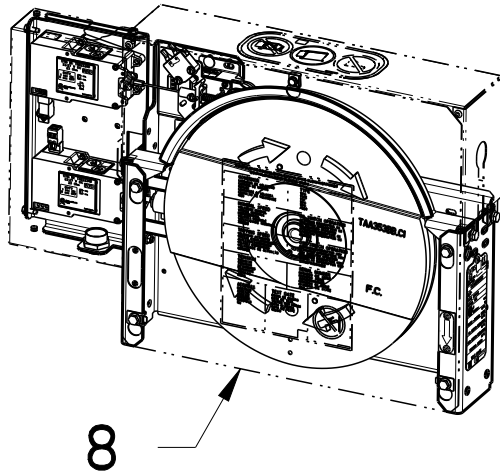


\* FOR INSTALLATIONS COMPLIANT WITH DIRECTIVE 2014/33/EU ,  
 IN CASE OF REPLACEMENT OF THE COMPLETE GOVERNOR, ELEVATOR RECORD  
 INCLUDING GOVERNOR SERIAL NUMBER MUST BE UPDATED AS PER DIRECTIVE REQUEST, FOR TRACEABILITY.

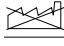



REF. No.	TAA/TAB/TAC/ TBA20602B	TCA20602B	DESCRIPTION						
	PART No.	PART No.	RATED	Ø ROPE	USE	OS/OSU SWITCH	ELECTRICAL TRIPPING	HAND	
* 6	T..20602B150	TCA20602B150	0.63 m/s	Ø 8	CWT	W/O	W/O	✋	
* 4	T..20602B151	TCA20602B151	0.8 m/s		CAR	W/			
* 6	T..20602B152	TCA20602B152	1.0 m/s		CWT	W/O			
* 4	T..20602B153	TCA20602B153	1.3 m/s		CAR	W/			
	T..20602B154	TCA20602B154	1.6 m/s		CAR	W/			
* 6	T..20602B201	TCA20602B201	1.6 m/s	Ø 8	CWT	EN81	W/O	✋	
	T..20602B202	TCA20602B202	2.0 m/s						
	T..20602B203	TCA20602B203	2.5 m/s						
* 7	T..20602B204	TCA20602B204	0.63 m/s				W/ ONLY "OSU"		W/O
	T..20602B205	TCA20602B205	1.0 m/s						
	T..20602B206	TCA20602B206	1.6 m/s						
	T..20602B207	TCA20602B207	2.0 m/s						
	T..20602B208	TCA20602B208	2.5 m/s						
* 6	T..20602B228	TCA20602B228	2.0 m/s				W/O		✋
	T..20602B229	TCA20602B229	2.5 m/s						
* 5	T..20602B230	TCA20602B230	≤ 1.0 m/s		CAR	W/			

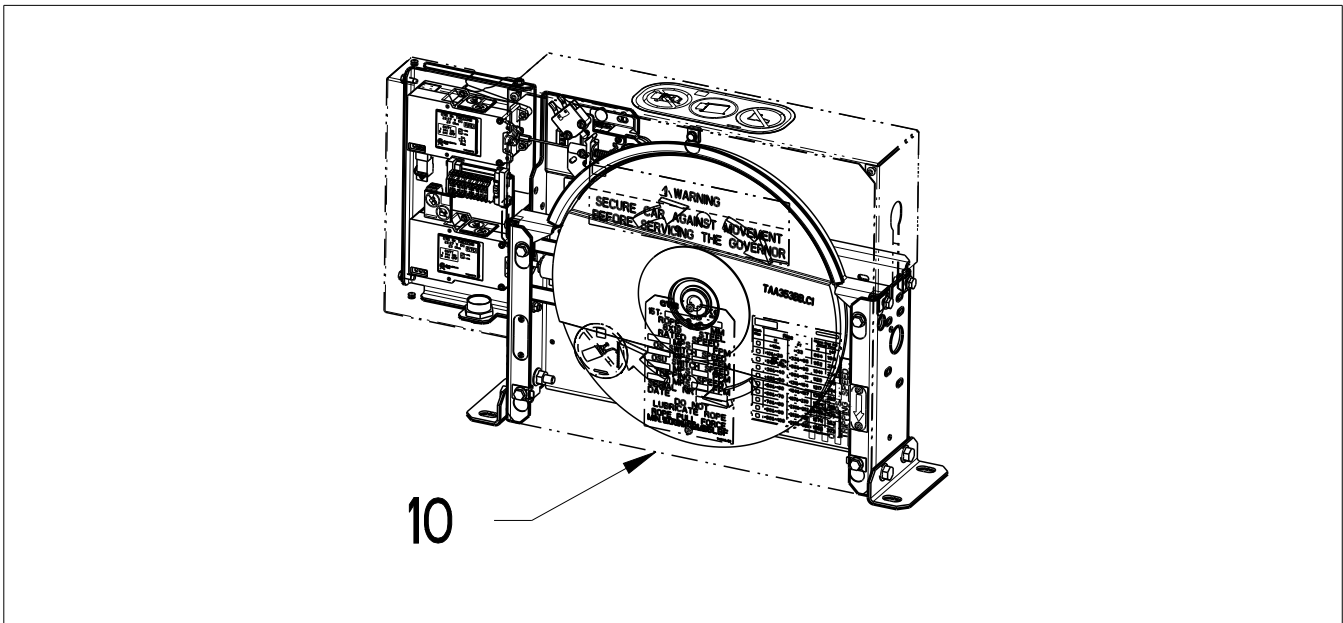


		W/O VINTAGE		
REF. No.	PART No. 	PART No. 	DESCRIPTION	
101		TAA346EB3	COVER	
109		TAA346GB2	COVER	
110	TAA330AX3	TAB330AX3 + TAA176ACW1	REMOTE TRIPPING DEVICE + INTERFACE CONNECTION	
104		TAB5000AS1	MANUAL TRIPPING DEVICE	
105		FAA176E3	PLUG (WAGO REF.721-603/000-024)	
111		FAA176E2	PLUG (WAGO REF.721-602/000-024)	
106		TAA633A1	ENCODER (ONLY FOR TAA - TAB - TAC20602B)	
107	TAA5500BE2	TAB5500BE2	ENCODER FASTENING (ONLY FOR TAA - TAB - TAC20602B)	
108	TAA5500BE1	TAB5500BE1	EQUIPED ENCODER (ONLY FOR TAA - TAB - TAC20602B)	
112		TAA384CH1	ROPE GUARD	
113	TAA386LH1	TAA386LH1 + TAA102PK1	COVER + TAG	

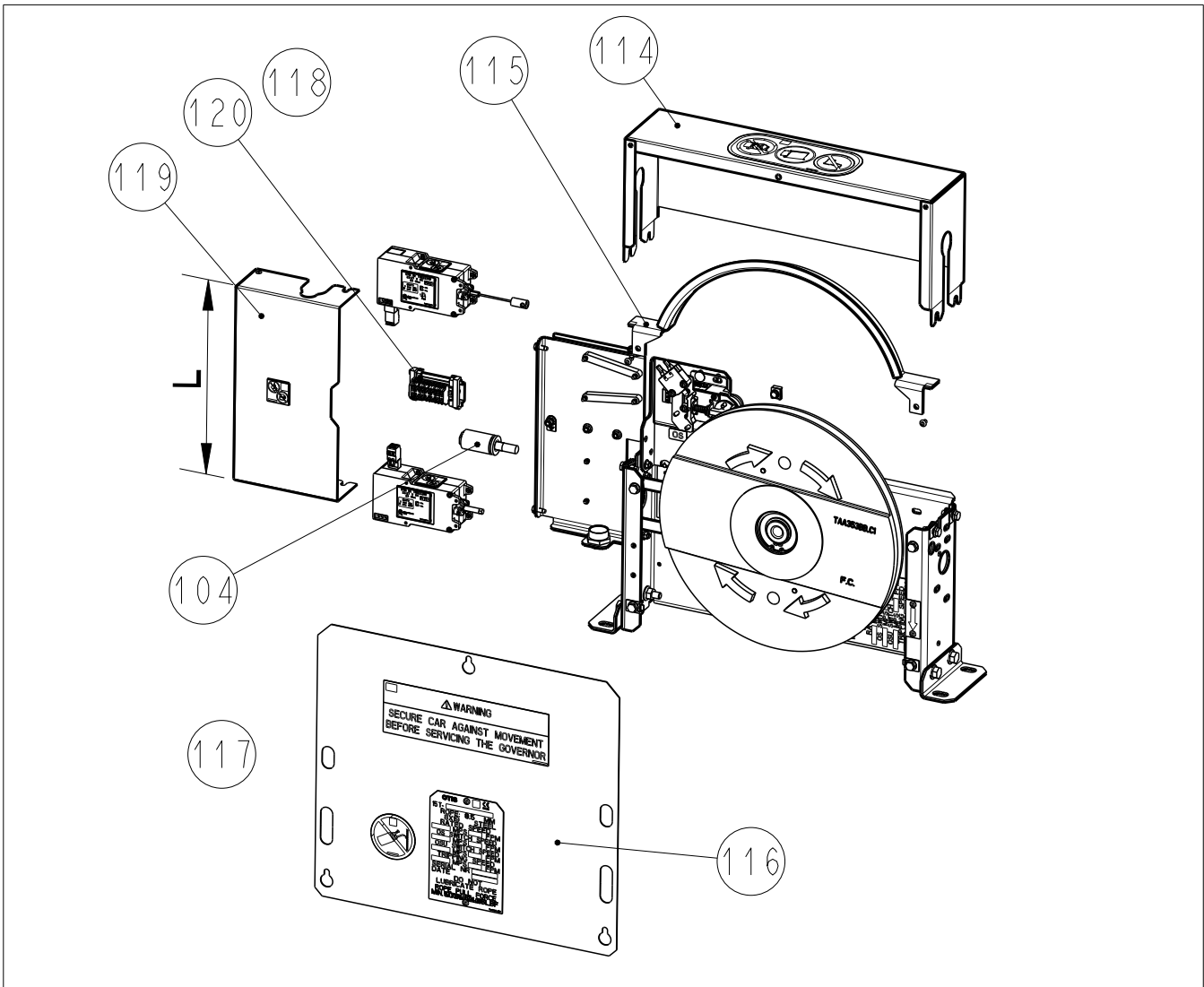


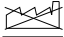
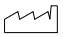
\* FOR INSTALLATIONS COMPLIANT WITH DIRECTIVE 2014/33/EU ,  
 IN CASE OF REPLACEMENT OF THE COMPLETE GOVERNOR, ELEVATOR RECORD  
 INCLUDING GOVERNOR SERIAL NUMBER MUST BE UPDATED AS PER DIRECTIVE REQUEST, FOR TRACEABILITY.

REF. No.	TAA/TAB/TAC/TBA20602B	TCA20602B	DESCRIPTION					
	PART No. 	PART No. 	RATED	Ø ROPE	USE	OS SWITCH	ELECTRICAL TRIPPING	HAND
8	T..20602B210	TCA20602B210	1.0 m/s	Ø 8	CAR	EN81	W/	
	T..20602B211	TCA20602B211	1.6 m/s					
	T..20602B212	TCA20602B212	1.75 m/s					
9	T..20602B213	TCA20602B213	1.0 m/s	Ø 8	CWT	EN81	W/O	
	T..20602B214	TCA20602B214	1.6 m/s					
	T..20602B215	TCA20602B215	1.75 m/s					
	T..20602B216	TCA20602B216	2.0 m/s					
	T..20602B217	TCA20602B217	2.5 m/s					
8	T..20602B260	TCA20602B260	2.0 m/s	Ø 8	CAR	EN81	W/	W/
	T..20602B261	TCA20602B261	2.5 m/s					
	T..20602B264	TCA20602B264	2.0 m/s		CAR	CHINA		
	T..20602B266	TCA20602B266	2.5 m/s					
	T..20602B271	TCA20602B271	3 m/s		CAR	EN81		
	T..20602B272	TCA20602B272	3.5 m/s					
	T..20602B275	TCA20602B275	3 m/s		CAR	CHINA		
	T..20602B276	TCA20602B276	3.5 m/s					
	T..20602B279	TCA20602B279	3 m/s					
T..20602B280	TCA20602B280	3.5 m/s	CWT					

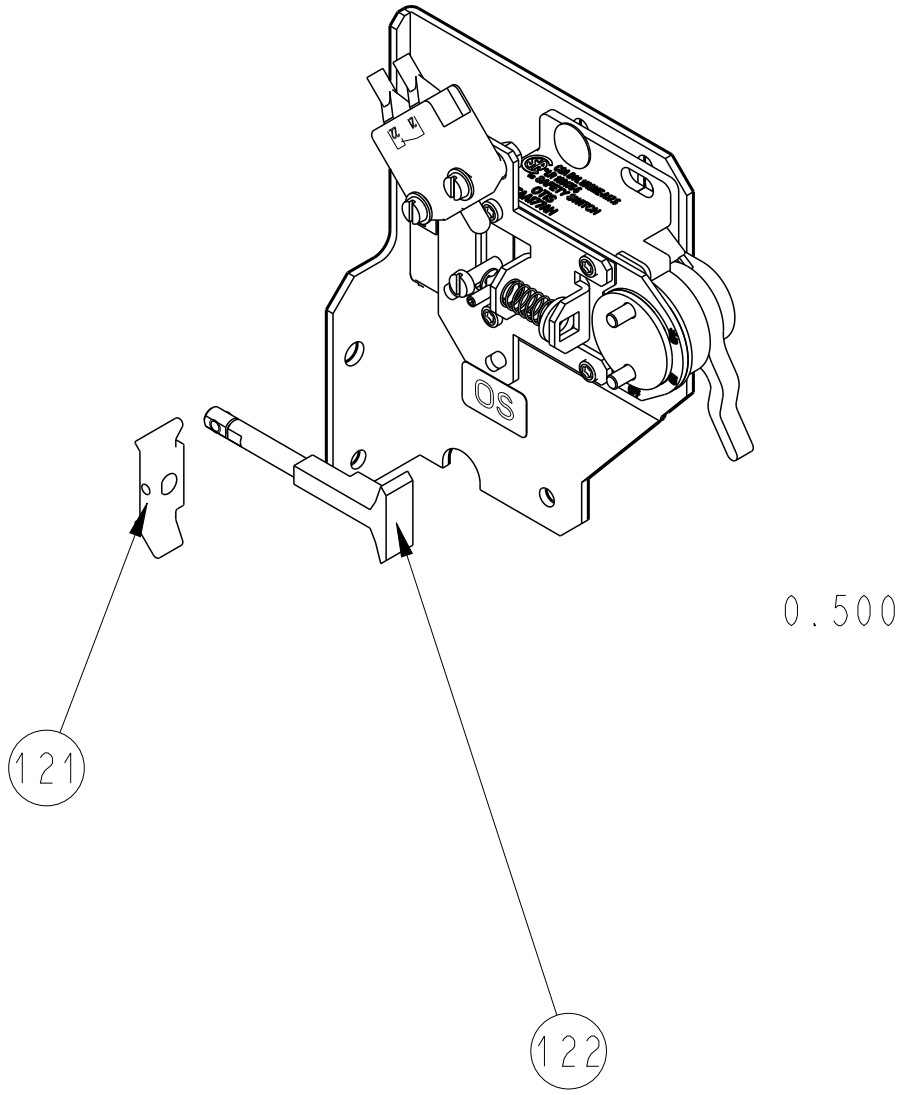


TYPE No.	TAA/TAB/TAC/ TBA20602B	TCA20602B	DESCRIPTION					
	PART No. 	PART No. 	RATED	Ø ROPE	USE	OS SWITCH	ELECTRICAL TRIPPING	HAND
10	TBA20602B708	TCA20602B708	0.5 m/s	Ø 9.5	NSAA	W/	W/	
	T..20602B709	TCA20602B709	0.76 m/s					
	T..20602B321	TCA20602B710	1.02 m/s					
	T..20602B710							
	T..20602B311	TCA20602B711	1.78 m/s					
	T..20602B711							
	T..20602B313	TCA20602B712	2.03 m/s					
	T..20602B712							
	T..20602B512	TCA20602B714	2.29 m/s					
	T..20602B714							
	T..20602B514	TCA20602B715	2.54 m/s					
	T..20602B715							
	T..20602B315	TCA20602B716	3.05 m/s					
	T..20602B716							
	T..20602B316	TCA20602B717	3.56 m/s					
	T..20602B717							
	T..20602B317	TCA20602B718	3.05 m/s					
	T..20602B718							
	T..20602B318	TCA20602B719	3.56 m/s					
	T..20602B719							
T..20602B319	TCA20602B720	3.05 m/s						
T..20602B720								
T..20602B320	TCA20602B721	3.56 m/s						
T..20602B721								
T..20602B722	TCA20602B722	3.05 m/s						
T..20602B723	TCA20602B723		3.56 m/s					
T..20602B724	TCA20602B724							



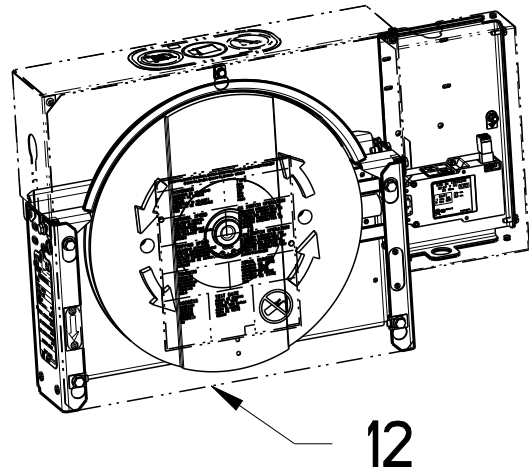
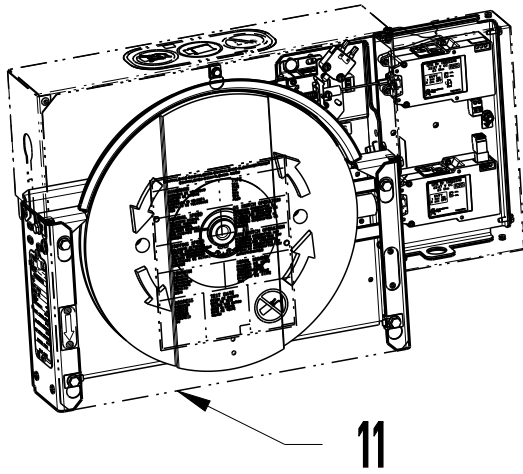
REF. No.	W/O VINTAGE		DESCRIPTION
	PART No. 	PART No. 	
114		TAA346ND2	COVER
115		TAA384JG1	ROPE GUARD
116		TAA346NC1	COVER
104		TAB5000AS1	MANUAL TRIPPING DEVICE
117	TAA330CC5	TAB330CC5 + TAA176ACW1	REMOTE TRIPPING DEVICE 24 V. DC + INTERFACE CONNECTOR
118	TAA234J6	TAB234J6 + TAA176ACW1	REMOTE RESETING DEVICE 24 V. DC + INTERFACE CONNECTOR
119		TAA346PN2	COVER <b>L</b> = 263 mm
		TAA346NG2	COVER <b>L</b> = 238 mm ONLY FOR TAA20602B
120	TAA176FN1	TAA176FN2+ 2x TAA176ACW1	CONNECTION + INTERFACE CONNECTOR





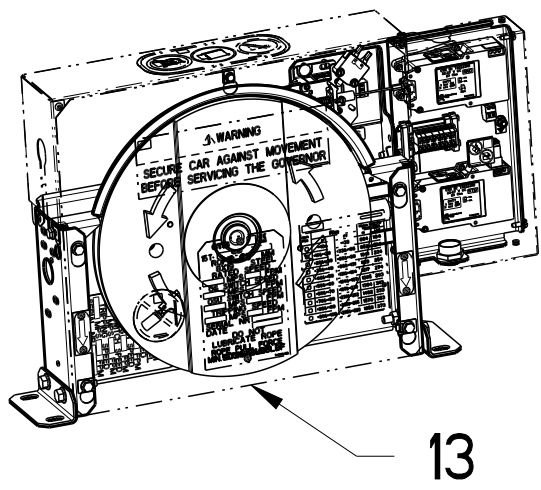
Reference: TAA177BP

VINTAGE		
REF. No.	PART No.	DESCRIPTION
121	TAA288HX1	LEVER
122	TAC492B2	YOKE



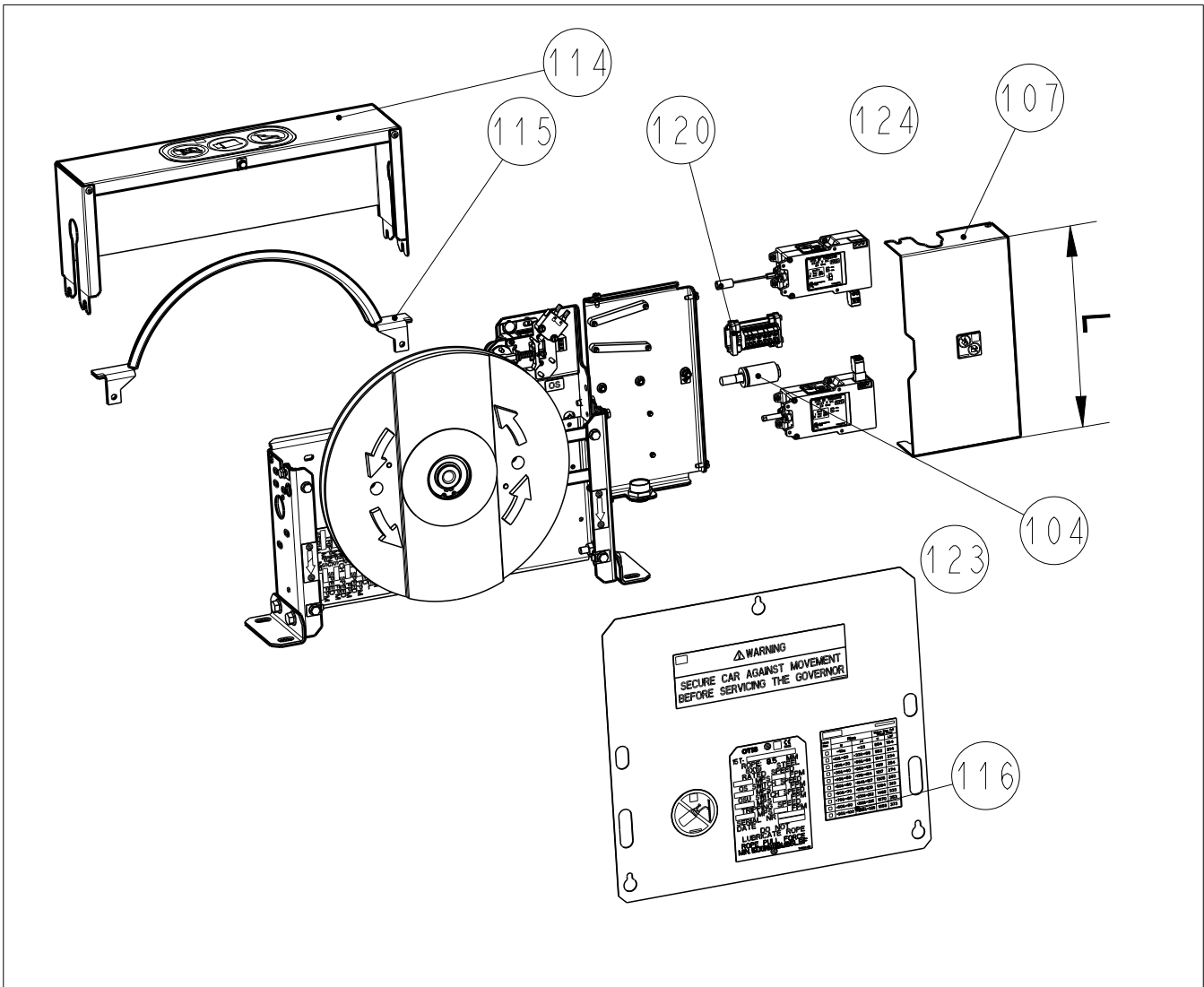
\* FOR INSTALLATIONS COMPLIANT WITH DIRECTIVE 2014/33/EU ,  
 IN CASE OF REPLACEMENT OF THE COMPLETE GOVERNOR, ELEVATOR RECORD  
 INCLUDING GOVERNOR SERIAL NUMBER MUST BE UPDATED AS PER DIRECTIVE REQUEST, FOR TRACEABILITY.



REF. No.	TAA/TAB/TAC/TBA20602B	TCA20602B	DESCRIPTION						
	PART No. 	PART No. 	RATED	Ø ROPE	USE	OS SWITCH	ELECTRICAL TRIPPING	HAND	
* 11	T..20602B220	TCA20602B220	1.0 m/s	Ø 8	CAR	W/			
	T..20602B221	TCA20602B221	1.6 m/s						
	T..20602B222	TCA20602B222	1.75 m/s						
* 12	T..20602B223	TCA20602B223	1.0 m/s	Ø 8	EN81	W/O	W/		
	T..20602B224	TCA20602B224	1.6 m/s						
	T..20602B225	TCA20602B225	1.75 m/s						
	T..20602B226	TCA20602B226	2.0 m/s						
	T..20602B227	TCA20602B227	2.5 m/s						
* 11	T..20602B262	TCA20602B262	2.0 m/s	Ø 8	CAR	EN81	W/	W/	
	T..20602B263	TCA20602B263	2.5 m/s						
	T..20602B265	TCA20602B265	2.0 m/s		CAR	CHINA			
	T..20602B267	TCA20602B267	2.5 m/s						
	T..20602B273	TCA20602B273	3 m/s		CAR	EN81			
	T..20602B274	TCA20602B274	3.5 m/s						
	T..20602B277	TCA20602B277	3 m/s		CAR	CHINA			
	T..20602B278	TCA20602B278	3.5 m/s						
	T..20602B281	TCA20602B281	3 m/s		CWT				
	T..20602B282	TCA20602B282	3.5 m/s						



13

TYPE No.	TAA/TAB/TAC/ TBA20602B	TCA20602B	DESCRIPTION														
	PART No. 	PART No. 	RATED	Ø ROPE	USE	OS SWITCH	ELECTRICAL TRIPPING	HAND									
13	TBA20602B808	TCA20602B808	0.5 m/s	Ø 9.5	NSAA	W/	W/										
	T..20602B809	TCA20602B809	0.76 m/s														
	T..20602B421	TCA20602B810	1.02 m/s						CAR								
	T..20602B810																
	T..20602B411	TCA20602B811	1.02 m/s							CWT							
	T..20602B811																
	T..20602B413	TCA20602B812	1.78 m/s								CAR						
	T..20602B812																
	T..20602B612	TCA20602B814	1.78 m/s									CWT					
	T..20602B814																
	T..20602B614	TCA20602B815	2.03 m/s										NSAA				
	T..20602B815																
	T..20602B415	TCA20602B816	2.03 m/s											W/			
	T..20602B816																
	T..20602B416	TCA20602B817	2.29 m/s												W/		
	T..20602B817																
	T..20602B417	TCA20602B818	2.29 m/s													CWT	
	T..20602B818																
	T..20602B418	TCA20602B819	2.54 m/s														CAR
	T..20602B819																
T..20602B419	TCA20602B820	2.54 m/s	CWT														
T..20602B820																	
T..20602B420	TCA20602B821	3.05 m/s		Ø 8													
T..20602B821																	
T..20602B822	TCA20602B822	3.56 m/s			CAR												
T..20602B823	TCA20602B823	3.05 m/s															
T..20602B824	TCA20602B824	3.56 m/s				CWT											



REF. No.	W/O VINTAGE		DESCRIPTION
	PART No. 	PART No. 	
114		TAA346ND2	COVER
115		TAA384JG1	ROPE GUARD
116		TAA346NC1	COVER
104		TAB5000AS1	MANUAL TRIPPING DEVICE
123	TAA330CC6	TAB330CC6 + TAA176ACW1	REMOTE TRIPPING DEVICE 24 V. DC + INTERFACE CONNECTOR
124	TAA234J5	TAB234J5 + TAA176ACW1	REMOTE RESETING DEVICE 24 V. DC + INTERFACE CONNECTOR
107		TAA346PN2	COVER <b>L</b> = 263 mm
		TAA346NG2	COVER <b>L</b> = 238 mm ONLY FOR TAA20602B
120	TAA176FN1	TAA176FN2 + 2X TAA176ACW1	CONNECTION + INTERFACE CONNECTION