

# TCA22700E TENSION DEVICE

Spare Parts Leaflet

15-TAA22700E

DIC-2017 / Page 1 of 4

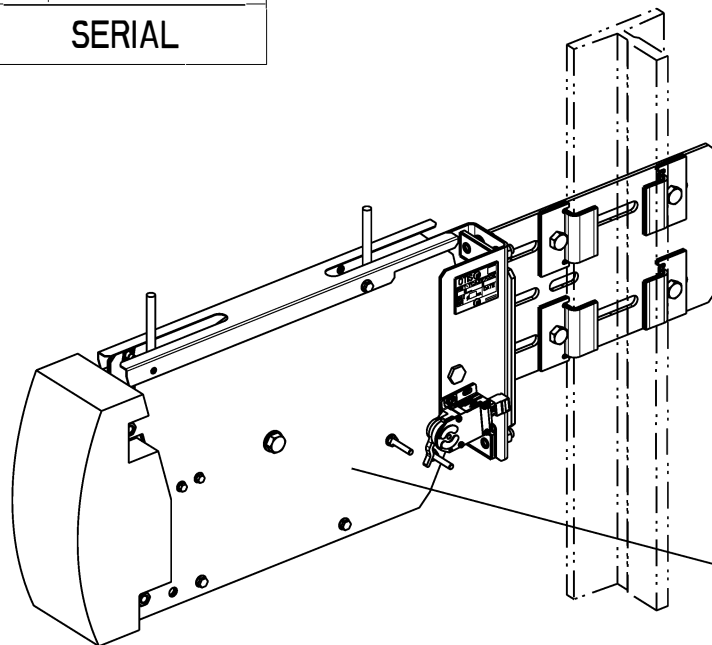


1999



2014

15	TAA22700E
	SERIAL
15	TBA22700E
	SERIAL



15	TCA22700E
	SERIAL

Unpublished Work © Otis Elevator Co. 2003

Safety First!

OTIS Engineering Center  
Madrid  
Otis Elevator Company

# OTIS

# History

15-TAA22700E

## Leaflet Description

THE FOLLOWING DOCUMENT DESCRIBES THE SPARE PARTS / ASSEMBLIES ALLOWED FOR T\_22700E TENSION DEVICE

### Leaflet Revisions

Date Revised	Subjetc Matter Expert	Reason for Revision
2008.05.30	J.M.AGUADO	NEW ARRANGEMENTS
2011.07.13	J.M.AGUADO	NEW ARRANGEMENTS
2013.02.20	J.M.AGUADO	UPDATE
2014-10-13	J.M.AGUADO	NEW ARRANGEMENTS
2016-11-02	J.M.AGUADO	UPDATE
2017-12-02	J.M.AGUADO	UPDATE

### Related Drawings

Drawing No.	Title	Drawing No.	Title
TCA22700E	TENSION DEVICE		

### Related Documents

Document ID	Title
TCA22700E_BD	BASIC DATA

### Subject Matter Expert

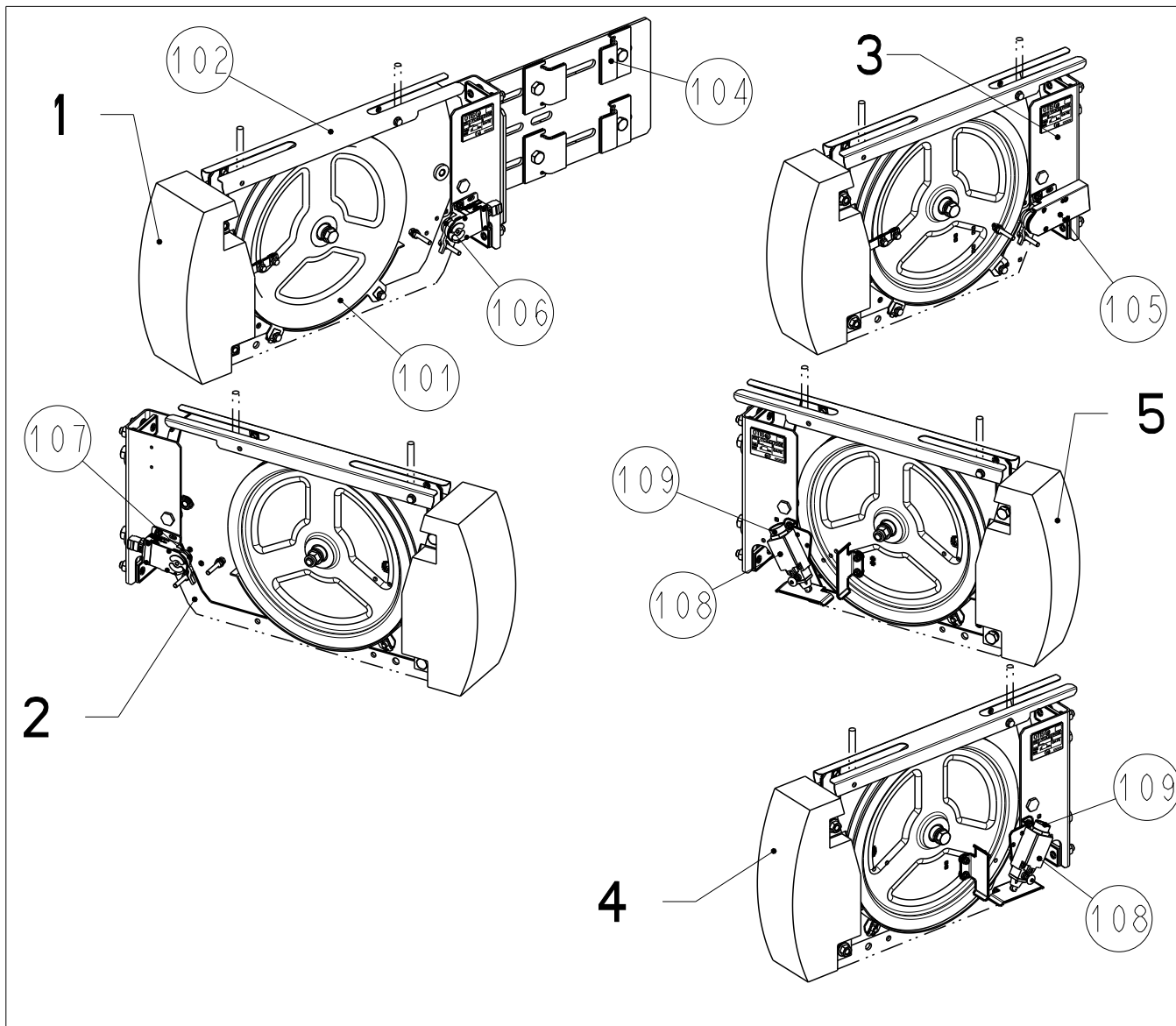
Name	Department
J.M.AGUADO	OEC-M

### About Spare Parts Leaflets ...

This document lists the lowest replaceable units (LRUs) for the standard version of the product. The LRUs are chosen by the team of Otis associates representing engineering and manufacturing.

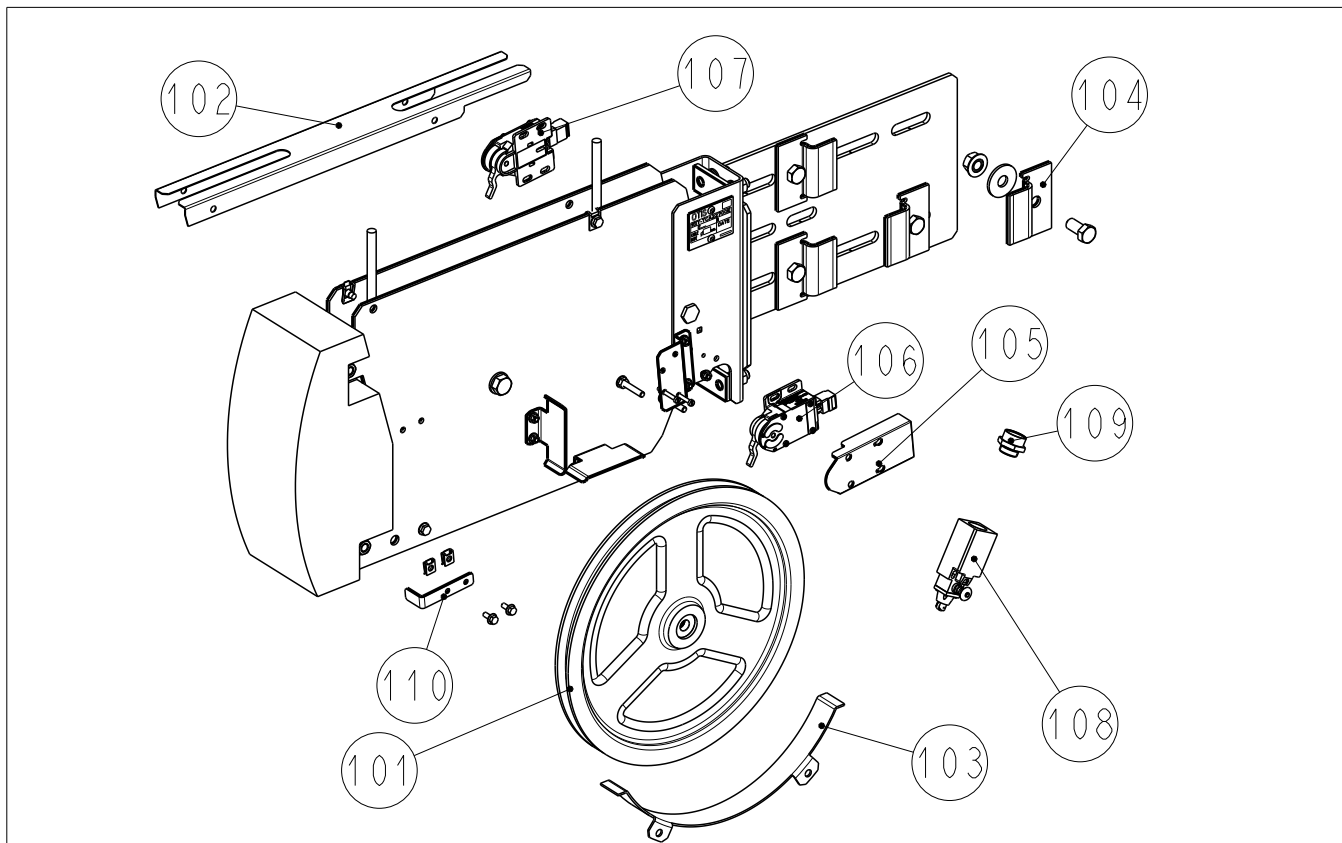
While goal of this document is to make parts identification as easy as possible, the document can not be all-inclusive. Elevator and escalator contracts classified as "special" or "custom" are not addressed here. For such contracts, please refer to specified information, the contract folder, TIPs, Field Education Articles, Construction Letters, etc. for further information.

If you have any suggestions about this document, please contact the subject matter expert listed on this page.



REF. No.	PART No.	TBA22700E PART No.	DESCRIPTION
1	T__22700E1	TCA22700E1	TENSION DEVICE TENSALIMITADOR
2	T__22700E2	TCA22700E2	
3	TAA22700E12	TCA22700E12	
4	TBA22700E17 TBA22700E19 TBA22700E21	TCA22700E21	
5	TBA22700E18 TBA22700E20 TBA22700E22	TCA22700E22	

FOR REF. 101÷109 SEE SHEET 4



TCA22700E			
REF. No.	PART No.	TENSION DEVICE	DESCRIPTION
101	TAA267B2	T__22700E...	ASSEMBLY SHEAVE
102	TAA384EW1		COVER
103	TAA384DA1		ROPE GUARD
104	TAA5500AX2	T__22700E1	FIXTURES FOR RAIL T1-T90/16-T2
105	TAA346GC1	T__22700E12	COVER
106	TAA177AH1	T__22700E1/ E12	SWICHTH
107	TAA177AH2	T__22700E2	
108	TAA177CB1	TBA22700E15	
	TAA177CB2	TBA22700E16	
	TAA177CW1	TBA22700E17	
	TAA177CW2	TBA22700E18	
	TAA177DH1	TBA22700E19 / E20	
	TAA177EG1	T__22700E21 / E22	
109	TAA270T1	T__22700E21÷22	ADAPTER
	TAA270T2	TBA22700E19÷20	
110	TAA27076ARK2- TAA27076ARK3	TCA22700E...	ROPE GUARD