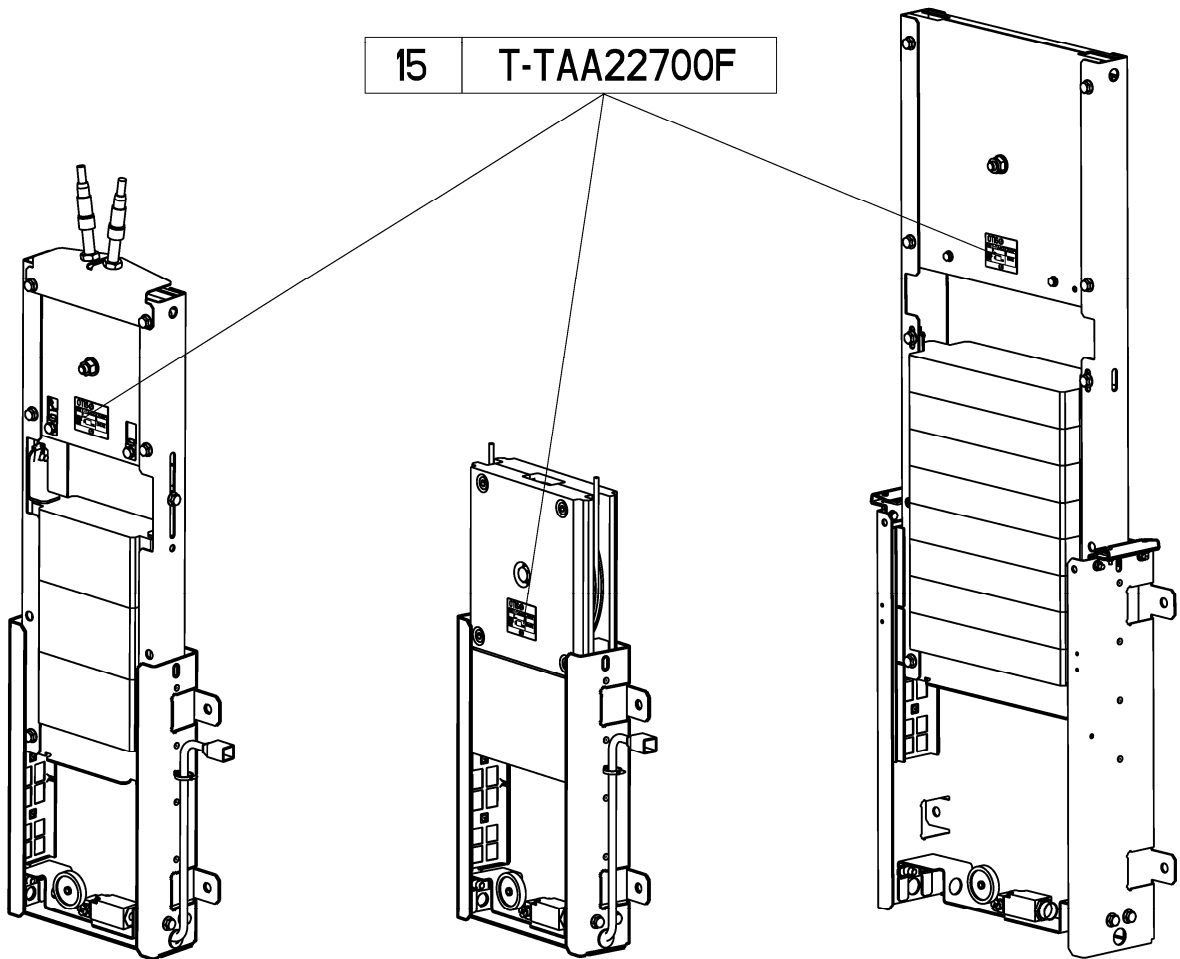


TAA22700F  
TENSION DEVICE

Spare Parts Leaflet

15-TAA22700F

November 2012 / Page 1 of 12



Unpublished Work—© Otis Elevator Co.; 2012

**OTIS**

Safety First!

OTIS Engineering Center  
Madrid  
Otis Elevator Company  
Bloomfield, Connecticut USA

## Leaflet Description

Vertical tension device for 224 and 305 mm sheave diameters. Recommended for installation rise above 50 meters.

### Leaflet Revisions

Date Revised	Subject Matter Expert	Reason for Revision
2004.12.09	L. Marti	New document format and new arr ...F21
2011.07.14	J.M. Aguado	Update document
2012.04.20	J.M. Aguado	Updated document
2012.07.25	J.M. Aguado	Added material list

### Related Drawings

Drawing No.	Title	Drawing No.	Title
TAA22700F	Tension Device		

### Related Documents

Document ID	Title
TAA22700F	Basic Data

### Subject Matter Expert

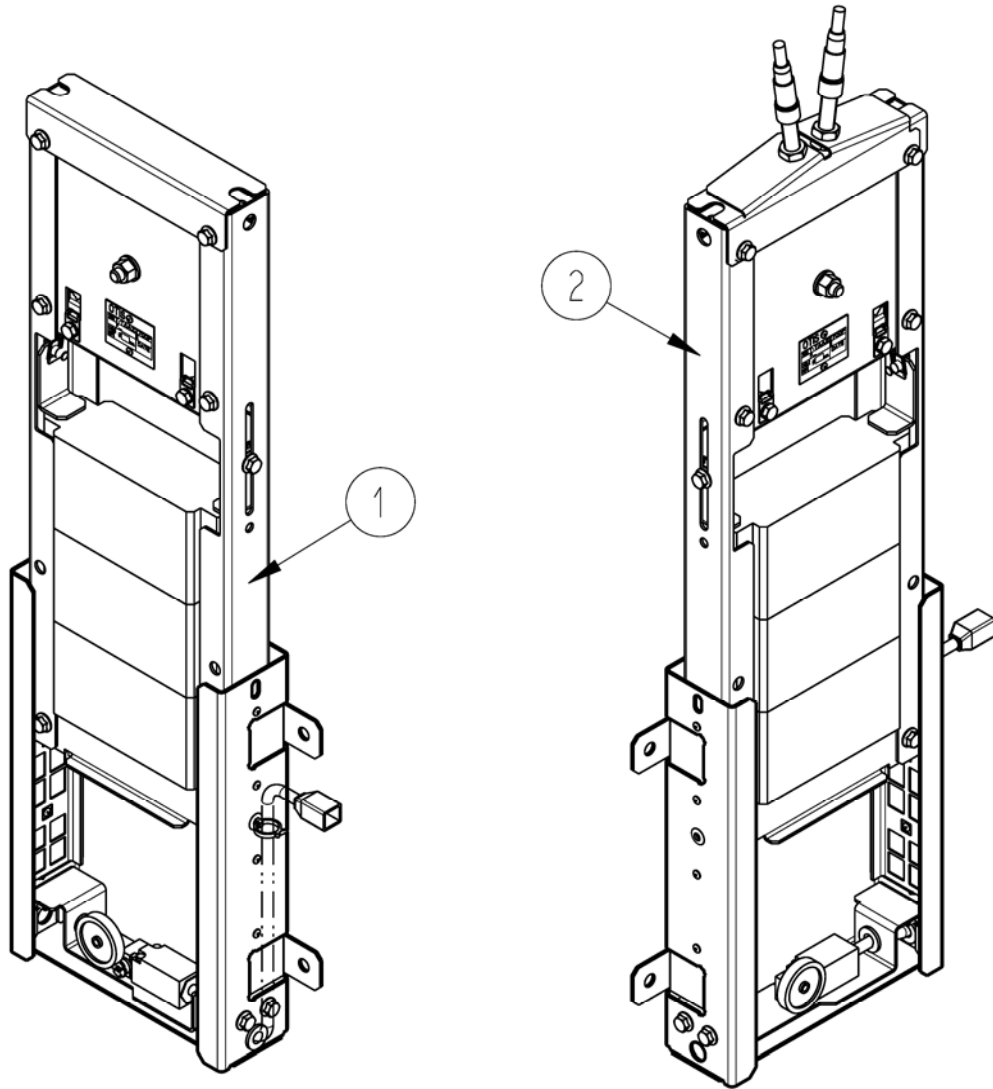
Name	Department
L. Marti	OEC-M

### About Spare Parts Leaflets...

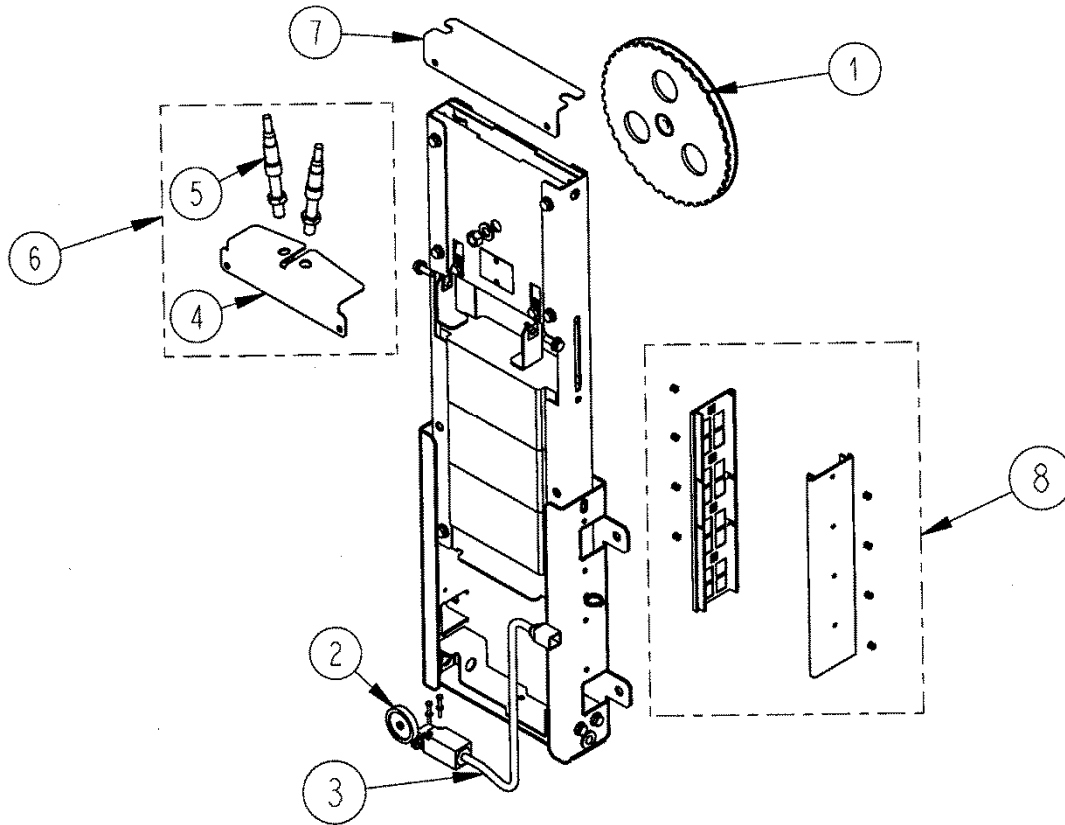
This document lists the lowest replaceable units (LRUs) for the standard version of the product. The LRUs are chosen by a team of Otis associates representing engineering and manufacturing.

While goal of this document is to make parts identification as easy as possible, the document cannot be all-inclusive. Elevator and escalator contracts classified as "special" or "custom" are not addressed here. For such contracts, please refer to specified information, the contract folder, TIPS, Field Education Articles, Construction Letters, etc. for further information.

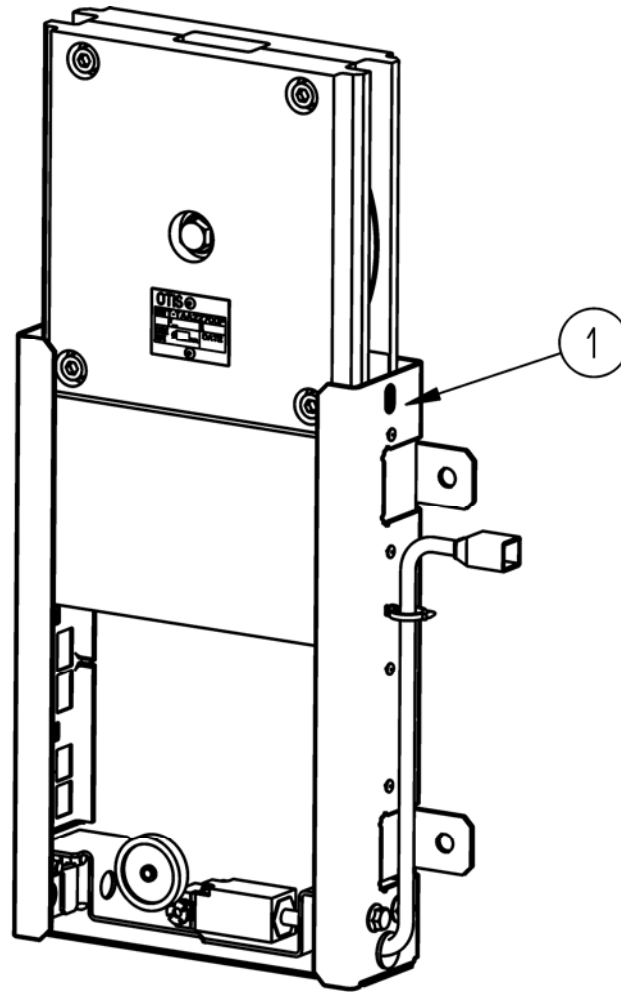
If you have any suggestions about this document, please contact the subject matter expert listed on this page.



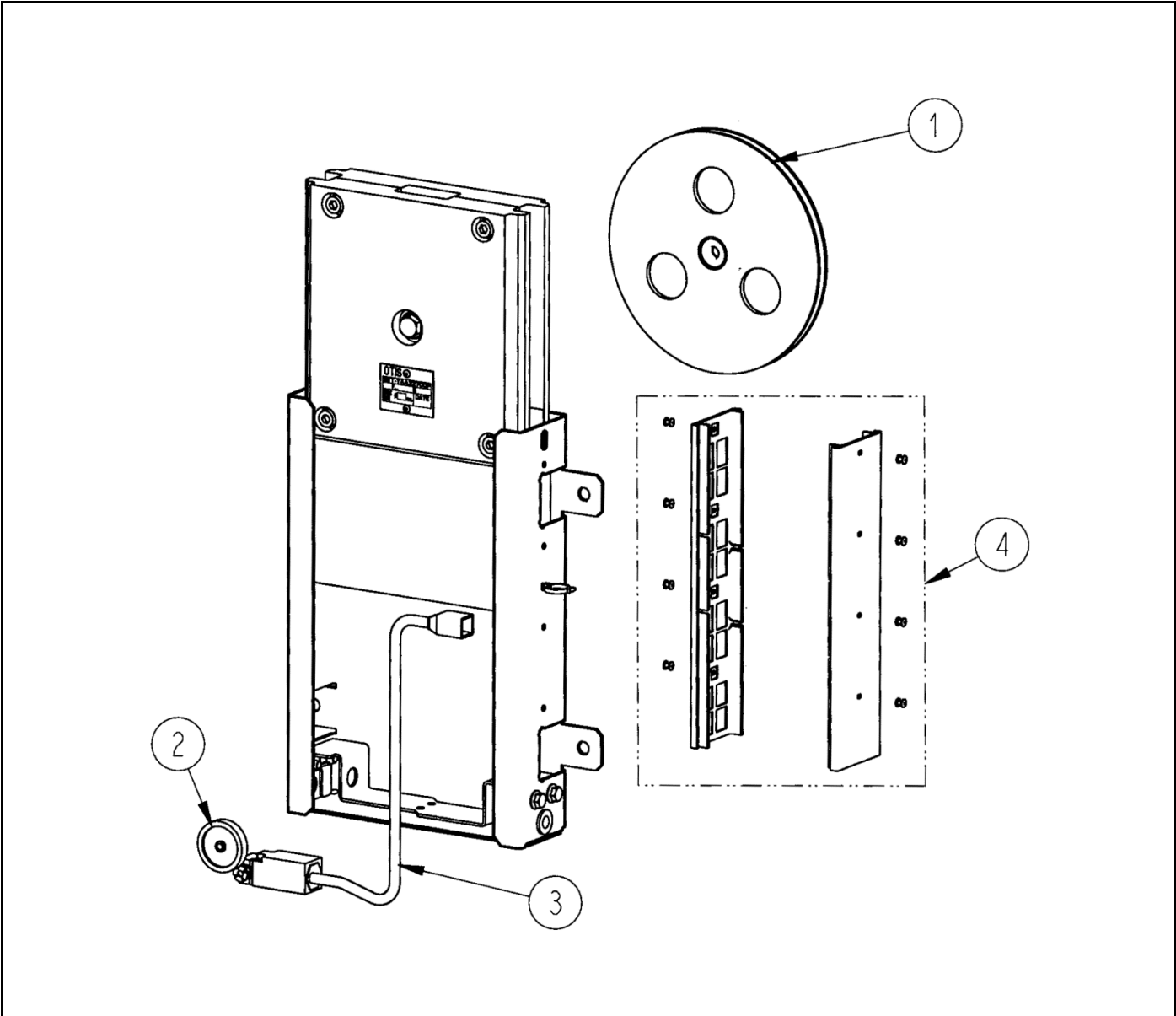
VINTAGE					
REF. No.	PART No.	DESCRIPTION	SWITCH	PROTECTION SWITCH	WIRE TYPE
1	TAA22700F6	Tension Device Without Wiring	TAA177BD1	IP65	---
	TAA22700F7	Tension Device With Wiring			F28
2	TAA22700F8	Tension Device With Wiring And SDI Function			



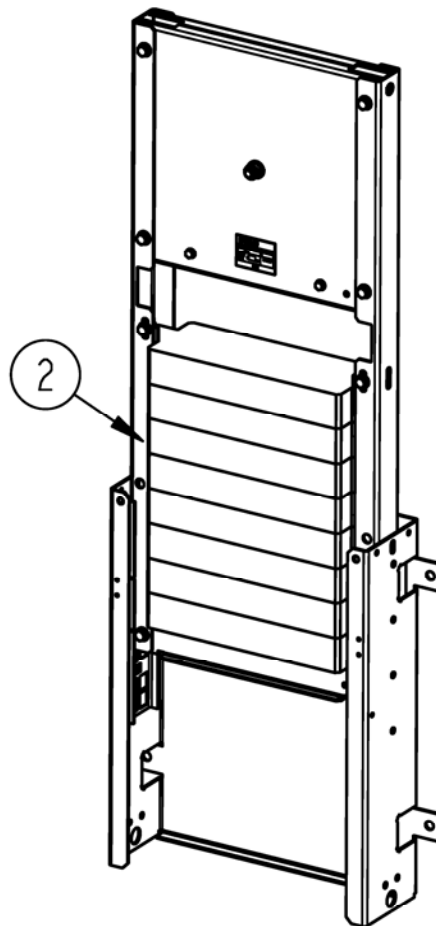
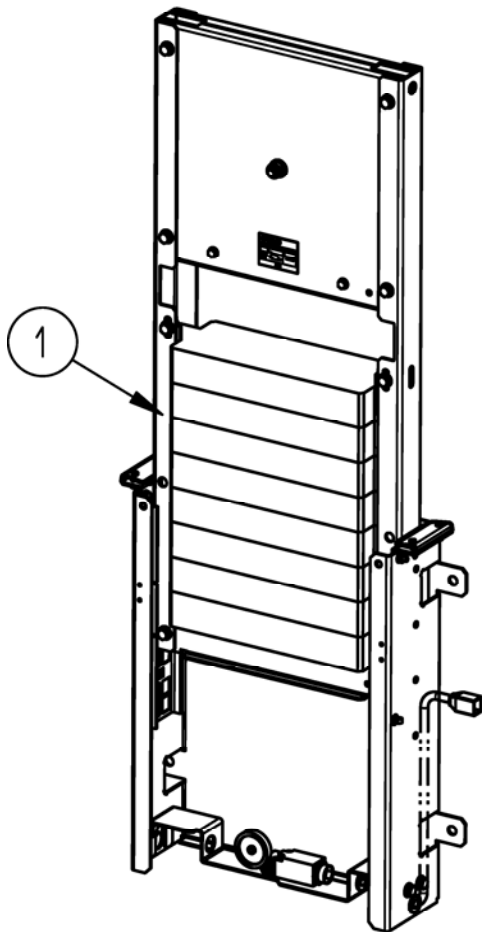
REF. No.	VINTAGE PART No.	DESCRIPTION	PROTECTIVE SWITCH	WIRE ROPE
1	KO267C2	Assembly Sheave without Cutouts	---	---
	KO267C4	Assembly Sheave with Cutouts for SDI Function	---	---
2	TAA177BD1	Switch without Wiring	IP65	---
3	TAA176EB1	Connection (wire 2 x 1 mm <sup>2</sup> )	---	F28
4	TAA180AW2	Holder	---	---
5	TAA633D4	Encoder	---	---
6	TAA5500DK2	SDI Function Assembled with Wiring	---	---
7	TAA285E1	Cover	---	---
8	TAA27076AKQ1	Profil and Rivet	---	---



REF. No.	PART No.	DESCRIPTION	SWITCH	PROTECTION SWITCH	WIRE TYPE
1	TAA22700F10	Tension Device with Wiring	TAA177BD1	IP65	F28
	TAA22700F11		TAA177DD1	IP67	HFW
	TAA22700F12		TAA177DD2		F28

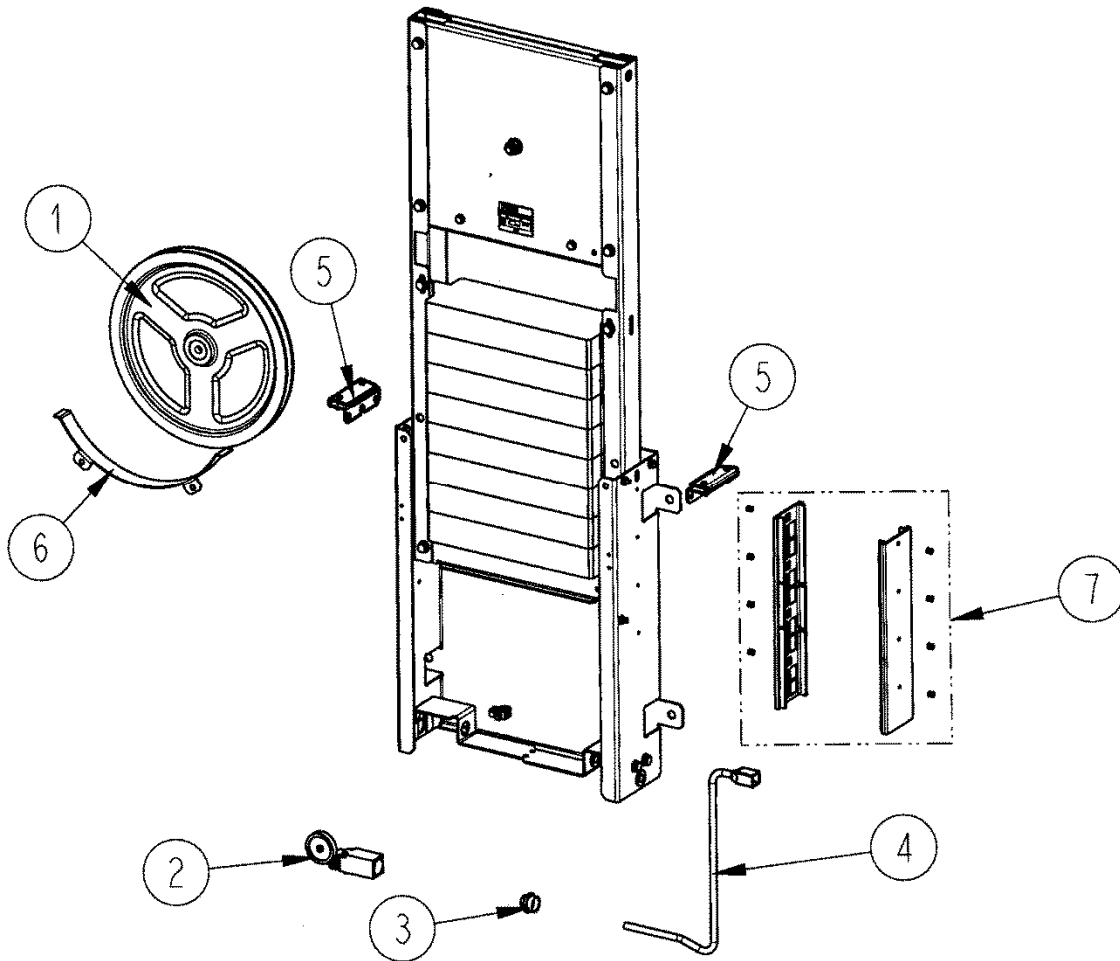


VINTAGE				
REF. No.	PART No.	DESCRIPTION	PROTECTION SWITCH	WIRE TYPE
1	KO267C2	Assembly Sheave	---	---
2	TAA177BD1	Switch without Wiring	IP65	---
	TAA177DD1	Switch with Wiring	IP67	HFW
	TAA177DD2			FO28
3	TAA176EB1	Connection	---	FO28
4	TAA27076AKQ1	Profil & Rivet	---	---



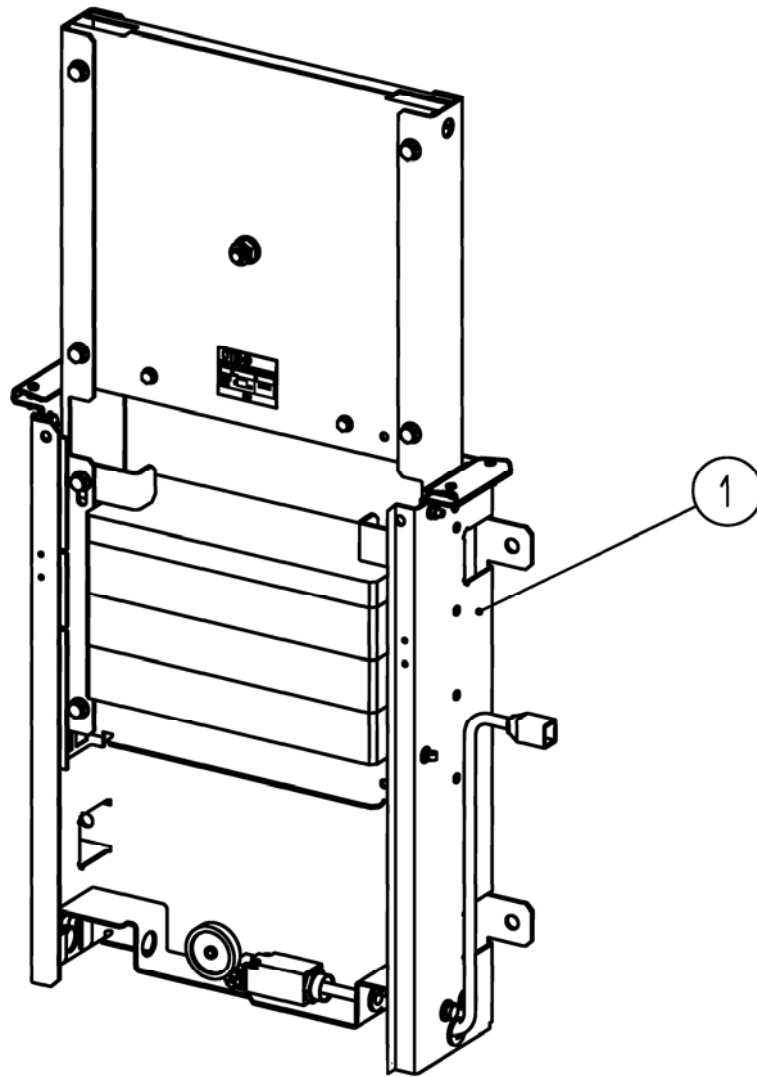
**WARNING**  
DO NOT USE WITH  
TRACTION GOVERNORS

VINTAGE					
REF. No.	PART No.	DESCRIPTION	SWITCH	PROTECTION SWITCH	WIRE TYPE
1	TAA22700F20	Tension Device without Wiring	TAA177BD1	IP65	---
	TAA22700F23	Tension Device with Wiring			F28
	TAA22700F29		TAA177DD1	IP67	HFW
2	TAA22700F40	Tension Device without Switch	---	---	---

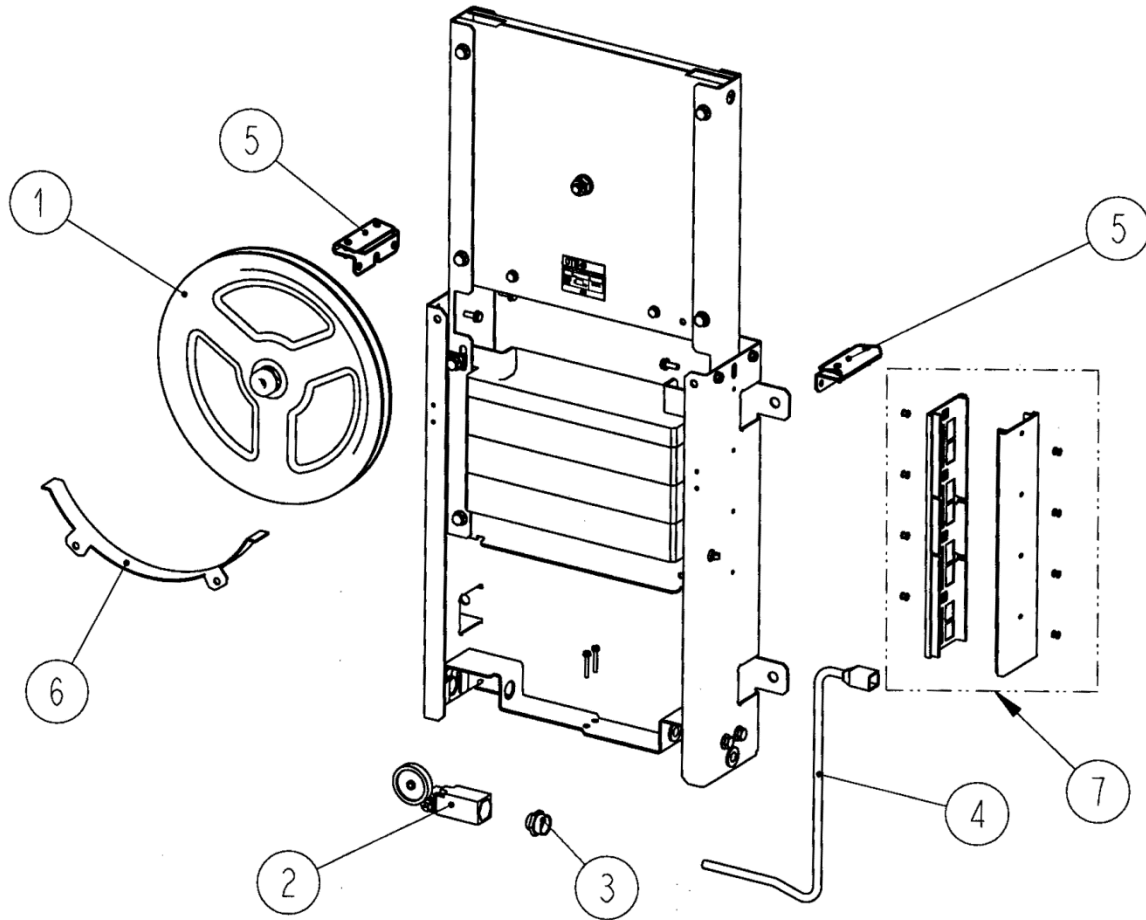


REF. No.	VINTAGE PART No.	DESCRIPTION	PROTECTIVE SWITCH	WIRE ROPE
1	TAA267B4	Assembly Sheave	---	---
2	TAA177BD1	Switch without Wiring	IP65	---
	TAA177DD1	Switch with Wiring	IP67	HFW
3	TAA270T1	Adapter	---	---
4	TAA176EB1	Connection	---	FO28
5	TAA384GV1	Guard	---	---
6	TAA384DA1	Rope Guard	---	---
7	TAA27076AKQ1	Profil & Rivet	---	---

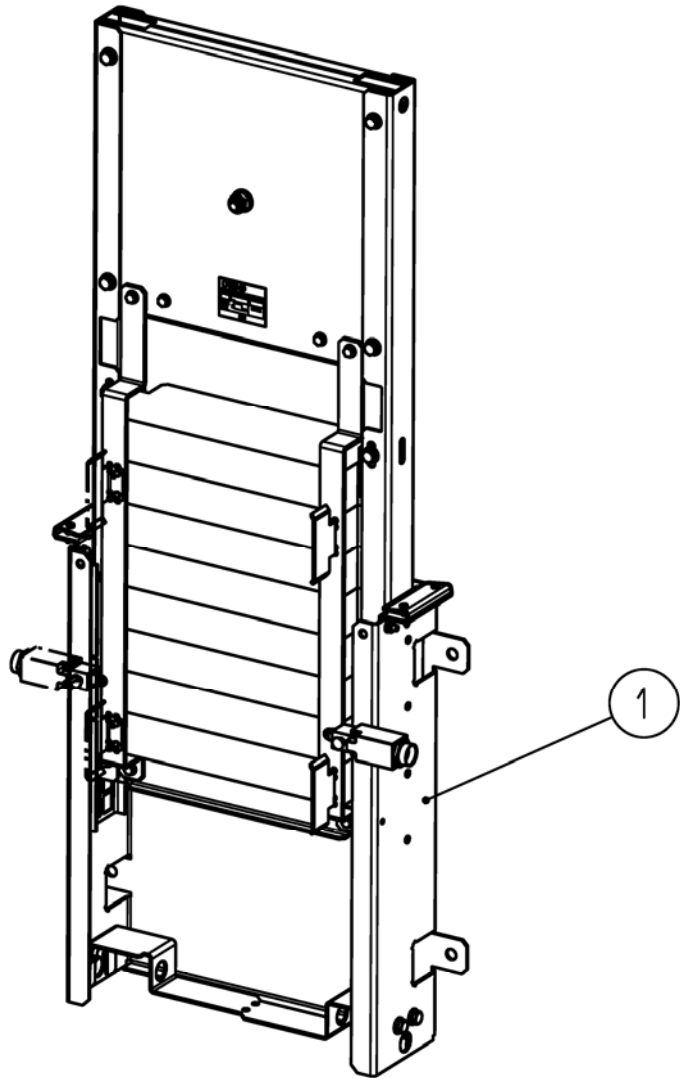




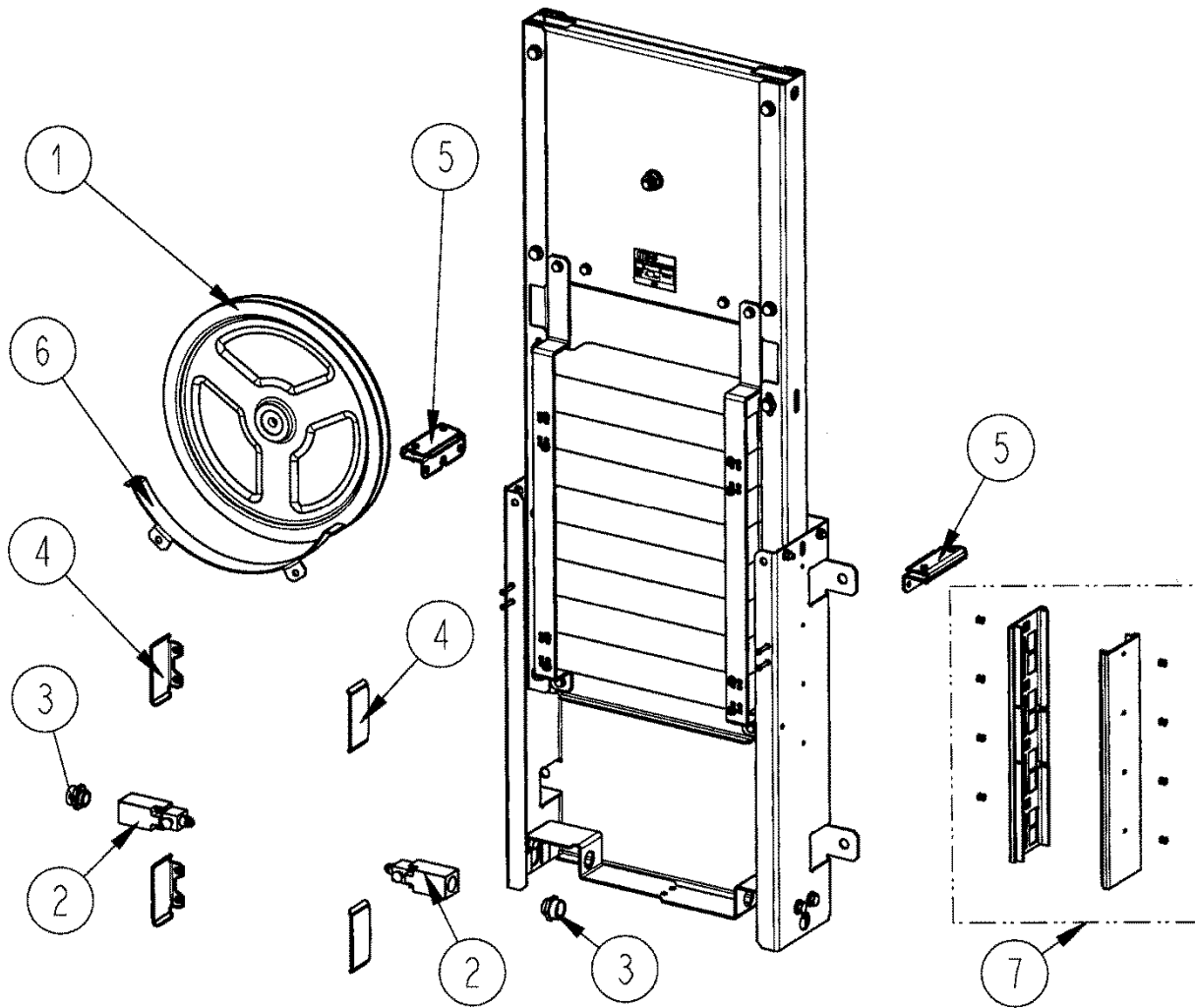
VINTAGE					
REF. No.	PART No.	DESCRIPTION	SWITCH	PROTECTION SWITCH	WIRE TYPE
1	TAA22700F21	Tension Device with Wiring	TAA177BD1	IP65	F28
	TAA22700F25	Tension Device without Wiring			---
	TAA22700F28	Tension Device with Wiring	TAA177DD1	IP67	HFW



VINTAGE				
REF. No.	PART No.	DESCRIPTION	PROTECTION SWITCH	WIRE TYPE
1	TAA267B4	Assembly Sheave	---	---
2	TAA177BD1	Switch without Wiring	IP65	---
	TAA177DD1	Switch with Wiring	IP67	HFW
3	TAA270T1	Adapter	---	---
4	TAA176EB1	Connection	---	FO28
5	TAA384GV1	Guard	---	---
6	TAA384DA1	Rope Guard	---	---
7	TAA27076AKQ1	Profil & Rivet	---	---



VINTAGE					
REF. No.	PART No.	DESCRIPTION	SWITCH	PROTECTION SWITCH	WIRE TYPE
1	TAA22700F30	Tension Device without Wiring	TAA177EG1	IP65	---
	TAA22700F31				
	TAA22700F35				
	TAA22700F36				



REF. No.	PART No.	DESCRIPTION	PROTECTIVE SWITCH	WIRE ROPE
1	TAA267B4	Assembly Sheave	---	---
2	TAA177EG1	Switch without Wiring	IP65	---
3	TAA270T1	Adapter	---	---
4	TAA283AKE4	Cam	-----	---
5	TAA384GV1	Guard	---	---
6	TAA384DA1	Rope Guard	---	---
7	TAA27076AKQ1	Profil & Rivet	---	---