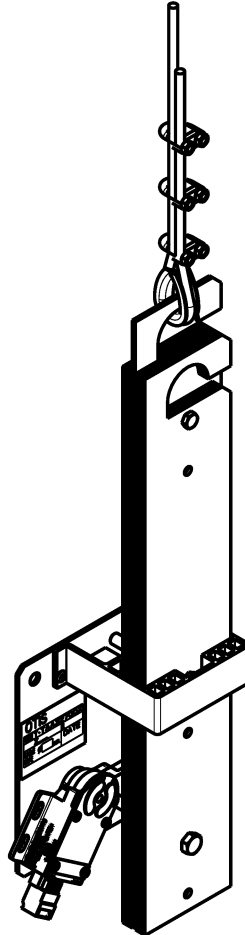


GENESIS TENSION DEVICE

Spare Parts Leaflet

15-TAA22700X

July, 2010 / Page 1 of 3



Unpublished Work © Otis Elevator Co.2002

OTIS _____

Safety First!

**OTIS Engineering Center
Madrid
Otis Elevator Company**

Leaflet Description

SPARE PARTS LEAFLET OF VERTICAL TENSION INTENDED FOR CMG GOVERNOR GENESIS

Leaflet Revisions

Date Revised	Subjetc Matter Expert	Reason for Revision

Related Drawings

Drawing No.	Title	Drawing No.	Title
TAA22700X	GENESIS TENSION DEVICE		

Related Documents

Document ID	Title
TAA22700X BD	BASIC DATA OF TAA22700X GENESIS TENSION DEVICE

Subject Matter Expert

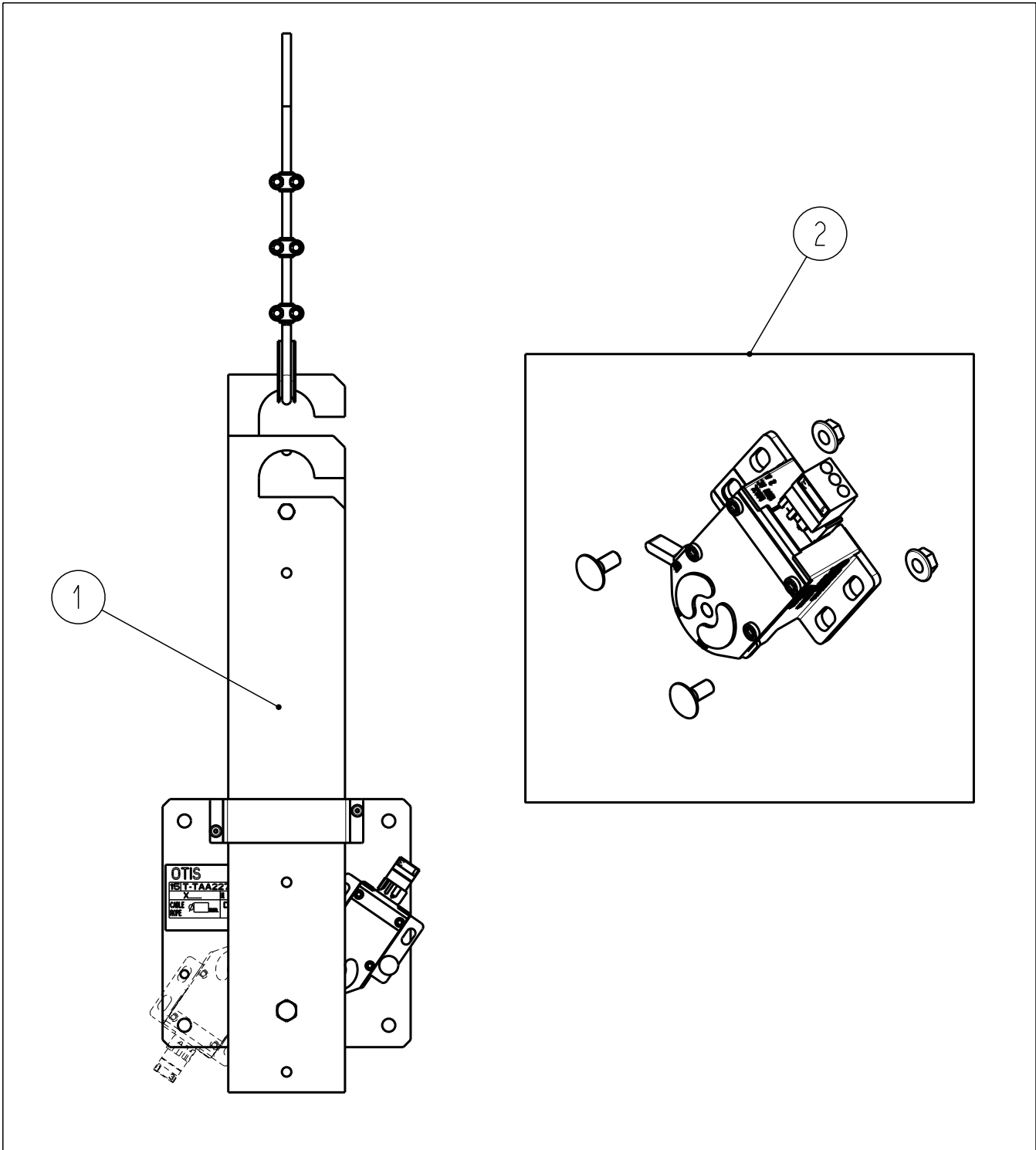
Name	Department
J.M.AGUADO & L.MARTI	OEC-MADRID

About Spare Parts Leaflets ...

This document lists the lowest replaceable units (LRUs) for the standard version of the product. The LRUs are chosen by the team of Otis associates representing engineering and manufacturing.

While goal of this document is to make parts identification as easy as possible, the document can not be all-inclusive. Elevator and escalator contracts classified as "special" or "custom" are not addressed here. For such contracts, please refer to specified information, the contract folder, TIPs, Field Education Articles, Construction Letters, etc. for further information.

If you have any suggestions about thsi document, please contact the subject matter expert listed on this page.



	VINTAGE	DESCRIPTION
REF. No.	PART No.	
1	TAA22700X1	TENSION DEVICE
2	TAA27076ABB1	SWITCH & HARDWARE