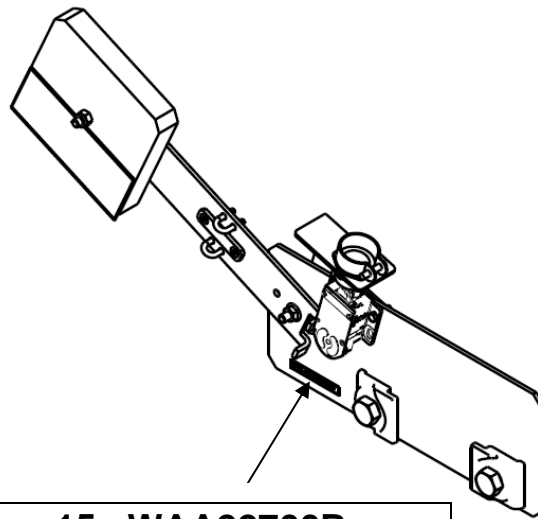


**Tension Device  
GeN3 Overslung  
(2100-3500 lb. Duties)**

**Spare Parts Leaflet  
15-WAA22700B  
Feb 02, 2023 / Page 1 of 3**



**15 WAA22700B**



This document does not contain any technical data subject to EAR or ITAR

**SERVICE ENGINEERING  
Otis Elevator Company  
Bloomfield, Connecticut USA**

Unpublished Work—© Otis Elevator Co.; 2023

**Leaflet Description**

This leaflet provides information for replacement components for the car mounted governor rope tension device for the GeN3 Overslung product.

**Leaflet Revisions**

<b>Date Revised</b>	<b>Subject Matter Expert</b>	<b>Reason for Revision</b>
March 18, 2022	Sybil Wang	New SPL
Feb 02, 2023	Emma Gu	Update Page 3

**Related Drawings**

<b>Drawing No.</b>	<b>Title</b>	<b>Drawing No.</b>	<b>Title</b>
TAA177AH1	Switch	TAA177AH2	Switch
WAA22700B	Tension Device		

**Related Documents**

<b>Document ID</b>	<b>Title</b>

**Subject Matter Expert**

<b>Name</b>	<b>Department</b>
Sybil Wang	Shanghai LDC Mechanical Engineering
Emma Gu	Shanghai LDC Mechanical Engineering

**About Spare Parts Leaflets...**

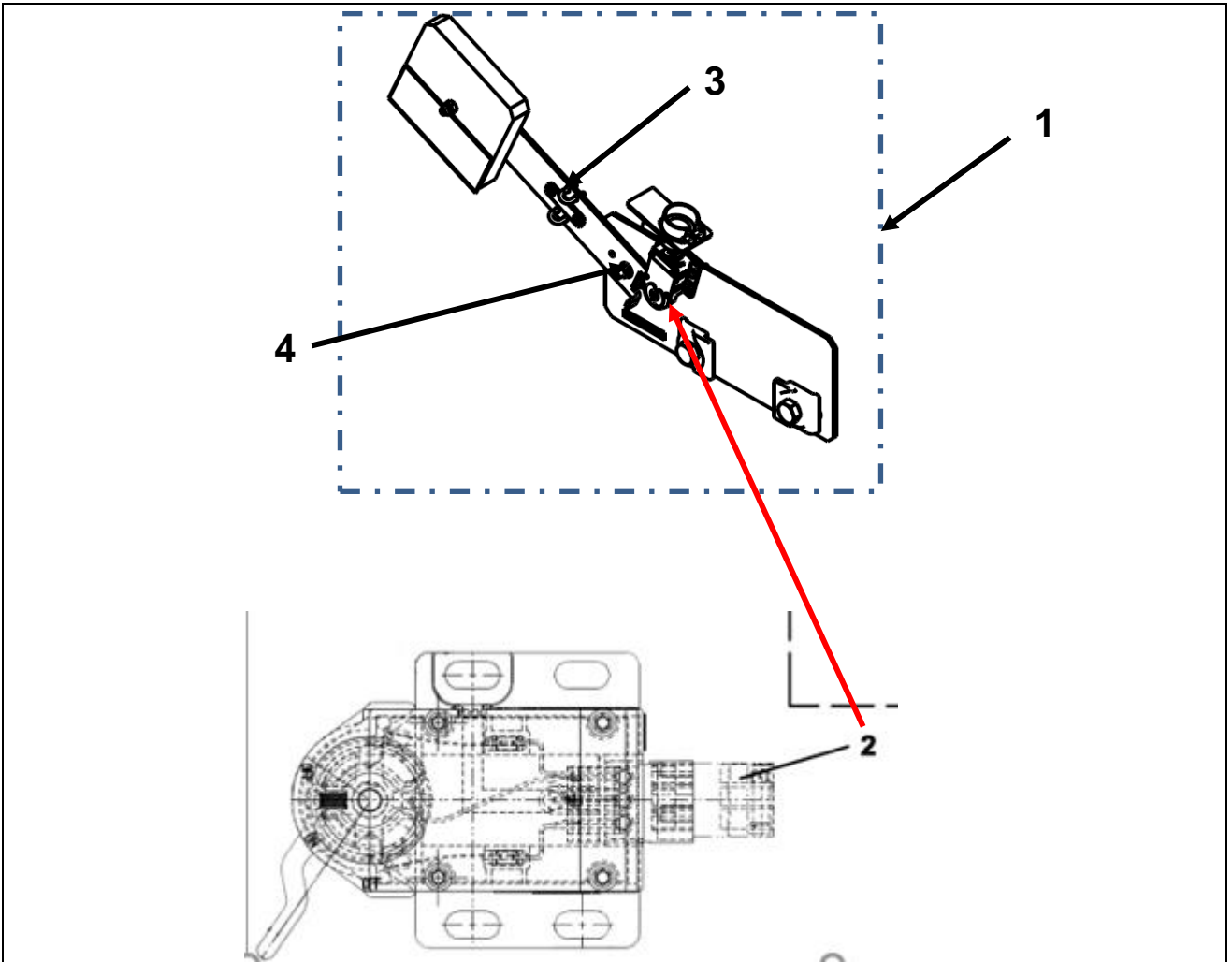
This document lists the lowest replaceable units (LRUs) for the standard version of the product. The LRUs are chosen by a team of Otis associates representing engineering and manufacturing.

While goal of this document is to make parts identification as easy as possible, the document cannot be all-inclusive. Elevator and escalator contracts classified as “special” or “custom” are not addressed here. For such contracts, please refer to specified information, the contract folder, TIPs, Field Education Articles, Construction Letters, etc. for further information.

If you have any suggestions about this document, please contact the subject matter expert listed on this page.

**Governor Rope Tension Device  
GeN3 Overslung  
(2100-3500 lb. Duties)**

**15-WAA22700B**



<b>WAA22700B</b>		
<b>REF. No.</b>	<b>PART No.</b>	<b>DESCRIPTION</b>
1	WAA22700B1	Assembly, Governor Rope Tension Device (RH) As Shown
	WAA22700B2	Assembly, Governor Rope Tension Device (LH) Opposite
2	TAA177AH2	Switch (RH) As Shown
	TAA177AH1	Switch (LH) Opposite
3	AAA65KZ1	U-Bolt, Governor Rope Clamp (Kit Contains 2 U-bolt, 4 Nuts)
4	WAA135AH1	TUBE METALLIC