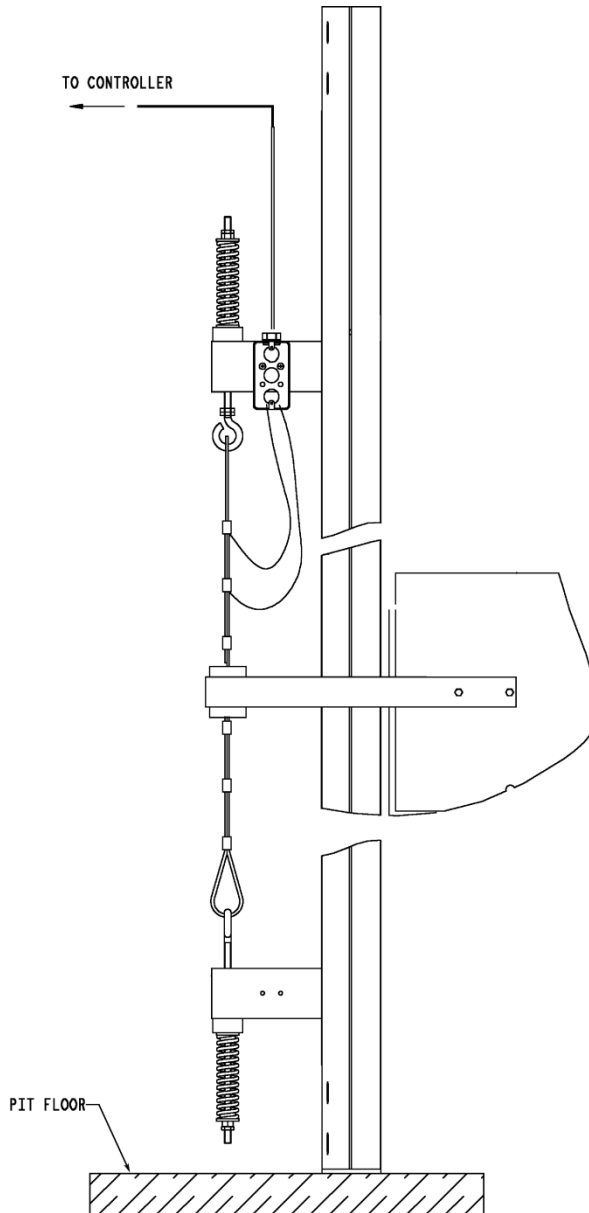


# Counterweight Displacement Detector

Spare Parts Leaflet  
16-AAA22000AAF

December 10, 2014 / Page 1 of 3

**W/O  
VINTAGE**



# OTIS

SERVICE ENGINEERING  
Otis Elevator Company  
Bloomfield, Connecticut USA  
Unpublished Work—© Otis Elevator Co.; 2014

## Leaflet Description

This SPL contains information for the replaceable components for the counterweight displacement detector. The assembly is without a vintage tag.

## Leaflet Revisions

Date Revised	Subject Matter Expert	Reason for Revision
May 13, 2009	Gary Mendrala	New SPL
June 12, 2009	Gary Mendrala	p.3 added additional LRUs
December 10, 2014	Gary Mendrala	Added p/n 65GB6 on p. 3

## Related Drawings

Drawing No.	Title	Drawing No.	Title
AAA22000AAF	Assembly and Arrangement Counterweight Displacement Detector	AAA29000AJ	Arrangement Gen2 NSAA (2100-4000 lb. passenger duties) (4000-5000 lb. hospital duties)

## Related Documents

Document ID	Title
SPL 16-AAA22000AAA	Counterweight Displacement Detector
SPL 16-AAA22000AAC	Counterweight Displacement Detector (Gen2 R2 Limited Duty)
SPL 16-AAA22000AAD	Counterweight Displacement Detector (Gen2 R2 Extended Duty)
SPL 16-AAA22000AAH	Counterweight Displacement Detector (Gen2 Low Rise)
SPL 16-AAA22000AAJ	Counterweight Displacement Detector (high sway buildings)

## Subject Matter Expert

Name	Department
Gary Mendrala	OSC Service Engineering

## About Spare Parts Leaflets...

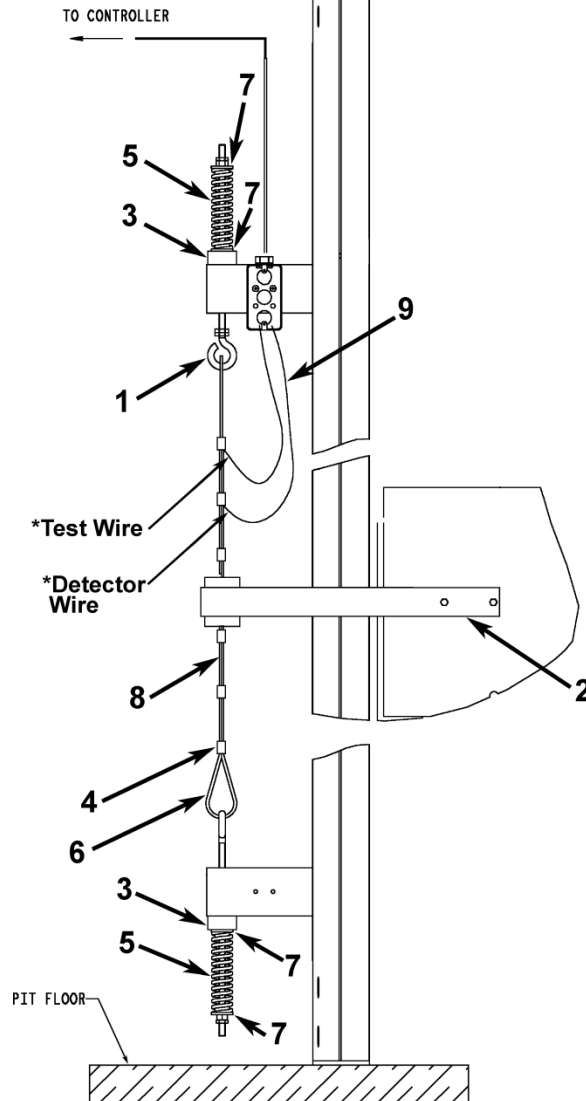
This document lists the lowest replaceable units (LRUs) for the standard version of the product. The LRUs are chosen by a team of Otis associates representing engineering and manufacturing.

While goal of this document is to make parts identification as easy as possible, the document cannot be all-inclusive. Elevator and escalator contracts classified as "special" or "custom" are not addressed here. For such contracts, please refer to specified information, the contract folder, TIPs, Field Education Articles, Construction Letters, etc. for further information.

If you have any suggestions about this document, please contact the subject matter expert listed on this page.

# Displacement Detector

16-AAA22000AAF



REF. No.	W/O VINTAGE PART No.	DESCRIPTION			
1	65GB6	Bolt, Eye			
2	AAA316HBK1	Bracket, Detector (Cwt. = 6055DR)			
3	AAA321KE1	Bushing, Insulating			
4	336GF2	Clamp			
5	AAA90FK1	Spring			
6	AAA00229AAA001	Thimble			
---	MT-105070	Tool, Compression Sleeve Crimp (not shown)			
7	AAA133CE1	Washer, Spring Seat			
8	AAA00174AAE999	Wire Rope (L = Pit + Rise + Overhead + 2 ft.) <table border="1" style="display: inline-table; vertical-align: middle;"><tr><td>ORDER</td></tr><tr><td> </td></tr><tr><td> </td></tr></table> by ft.,  to suit	ORDER		
ORDER					
9	AAA174AJM1	Wire, 18 GA., Brown, 24-in. L			