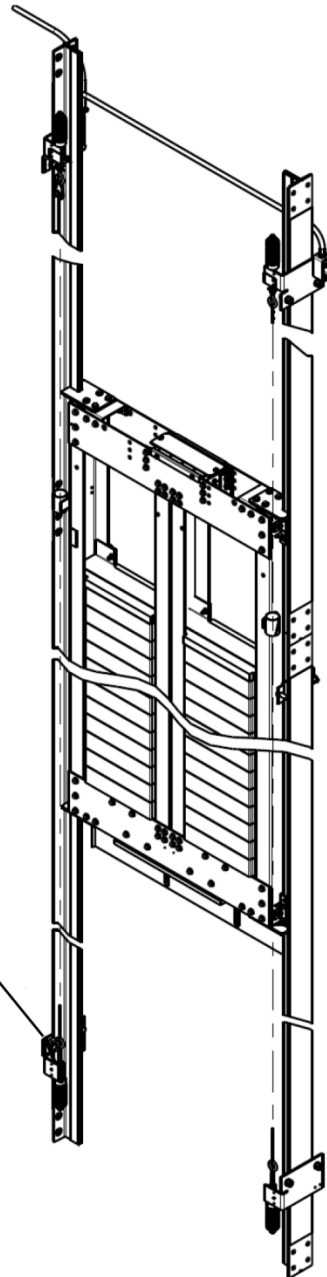


Counterweight
Displacement Detector
Gen2® Underslung

Spare Parts Leaflet
16-AAA22000AAN
July 9, 2014 / Page 1 of 4

16 AAA22000AAN



OTIS

SERVICE ENGINEERING
Otis Elevator Company
Bloomfield, Connecticut USA
Unpublished Work—© Otis Elevator Co.; 2014

Leaflet Description

This leaflet provides information for the replaceable components for the Gen2[®] underslung counterweight displacement detector.

Leaflet Revisions

Date Revised	Subject Matter Expert	Reason for Revision
July 9, 2014	Gary Mendrala	New SPL

Related Drawings

Drawing No.	Title	Drawing No.	Title
AAA22000AAN	CWT Displacement Detector	---	---
---	---	---	---

Related Documents

Document ID	Title
SPL 16-AAA22000AAA	Counterweight Displacement Detector
SPL 16-AAA22000AAC	Counterweight Displacement Detector (Gen2 [®] Limited Duty0
SPL 16-AAA22000AAD	Counterweight Displacement Detector (Gen2 [®] R2 Extended Duty)
SPL 16-AAA22000AAF	Counterweight Displacement Detector
SPL 16-AAA22000AAH	Counterweight Displacement Detector (Gen2 [®] Low Rise)
SPL 16-AAA22000AAJ	Counterweight Displacement Detector (High Sway Buildings)

Subject Matter Expert

Name	Department
Gary Mendrala	OSC Service Engineering

About Spare Parts Leaflets...

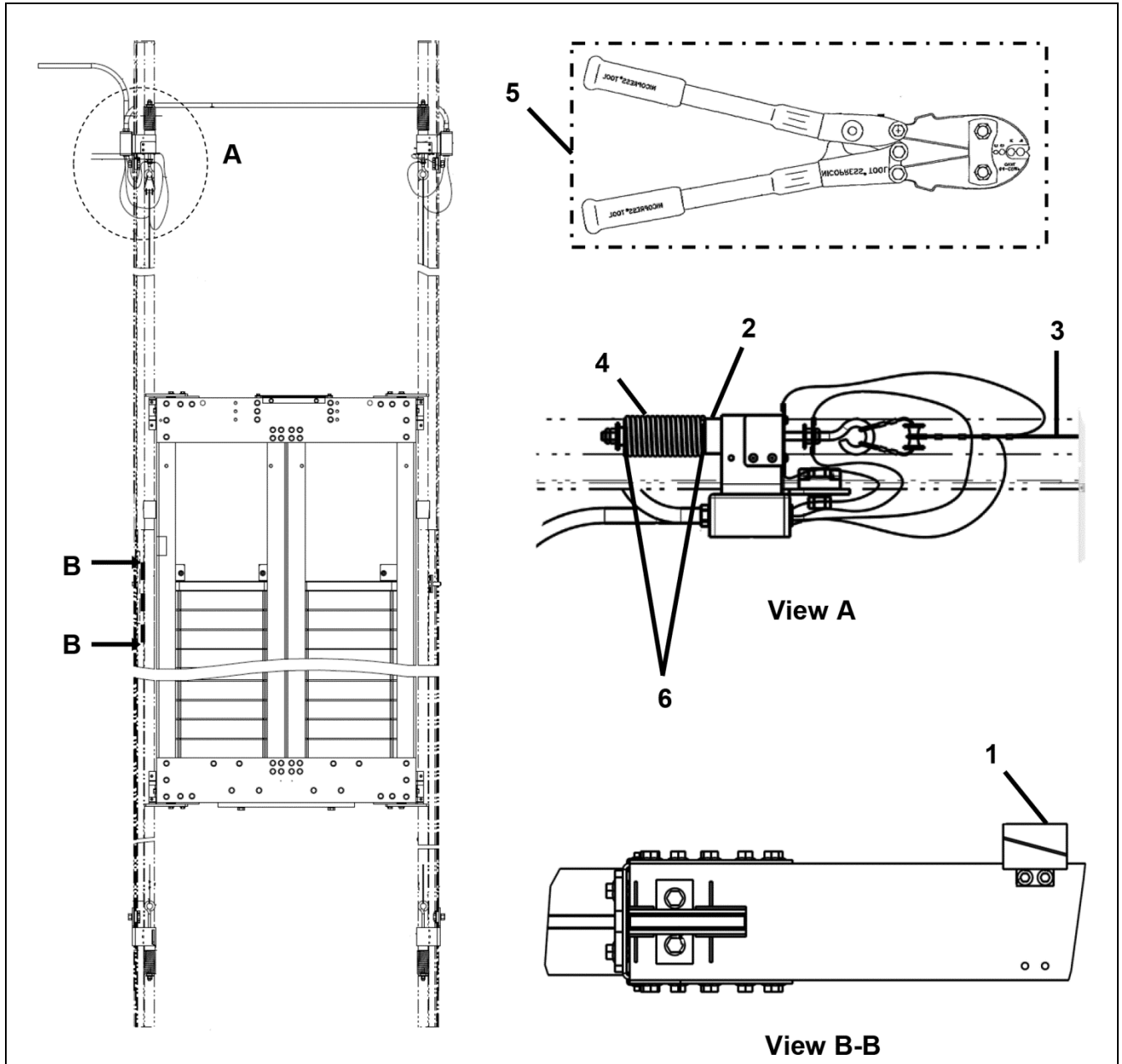
This document lists the lowest replaceable units (LRUs) for the standard version of the product. The LRUs are chosen by a team of Otis associates representing engineering and manufacturing.

While goal of this document is to make parts identification as easy as possible, the document cannot be all-inclusive. Elevator and escalator contracts classified as “special” or “custom” are not addressed here. For such contracts, please refer to specified information, the contract folder, TIPs, Field Education Articles, Construction Letters, etc. for further information.

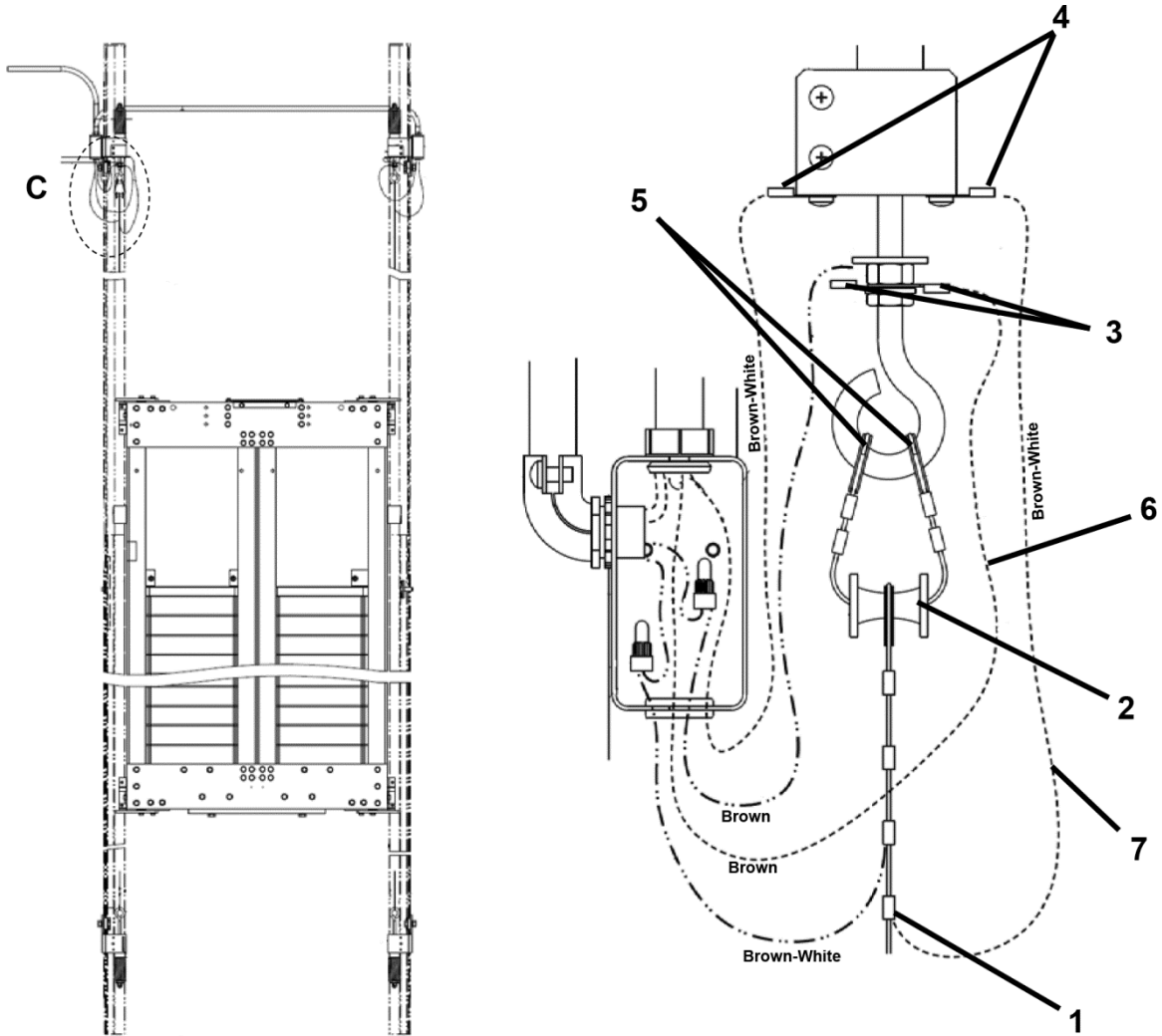
If you have any suggestions about this document, please contact the subject matter expert listed on this page.

CWT Displacement Detector

16-AAA22000AAN



REF. No.	PART No.	DESCRIPTION
	AAA22000AAN	
1	AAA316GSZ5	Bracket, Detector
2	AAA00334AAB001	Bushing, Insulating
3	AAA00174AAE999	Rope, Wire, L = Pit + Rise + Overhead + 2 ft., Order by Foot, Cut to Suit
4	90BN1	Spring, 1.01 in. OD, 0.906 in. ID, 6 in. long
5	MT-105070	Tool, Compression Sleeve Crimp
6	133E20	Washer, Spring Seat



View C-C

REF. No.	PART No.	DESCRIPTION
	AAA22000AAN	
1	336GF2	Clamp, 0.375 in. Long, for 0.062 in. Wire Diameter
2	AAA129DM11	Insulator
3	AAA190CA42	Terminal, Large Ring
4	AAA190CA28	Terminal, Small Ring
5	AAA00229AAA001	Thimble
6	174DD15	Wire, No. 18, Brown, 24 in. Long
7	174DD16	Wire, No. 18, Brown/White, 24 in. Long