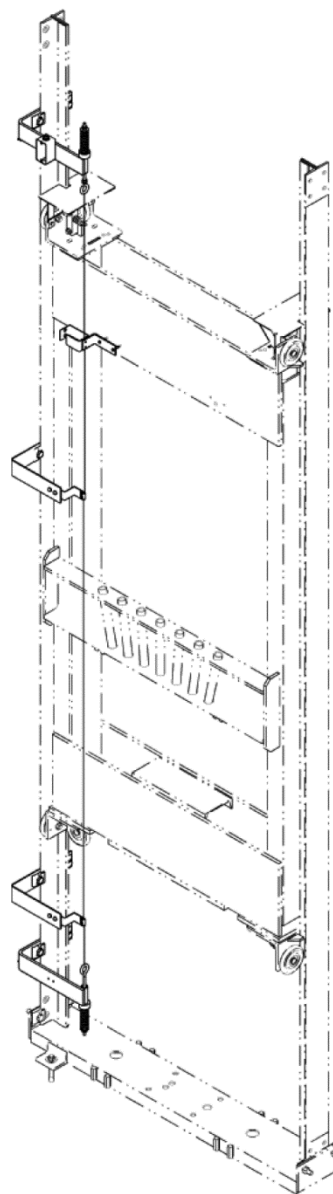
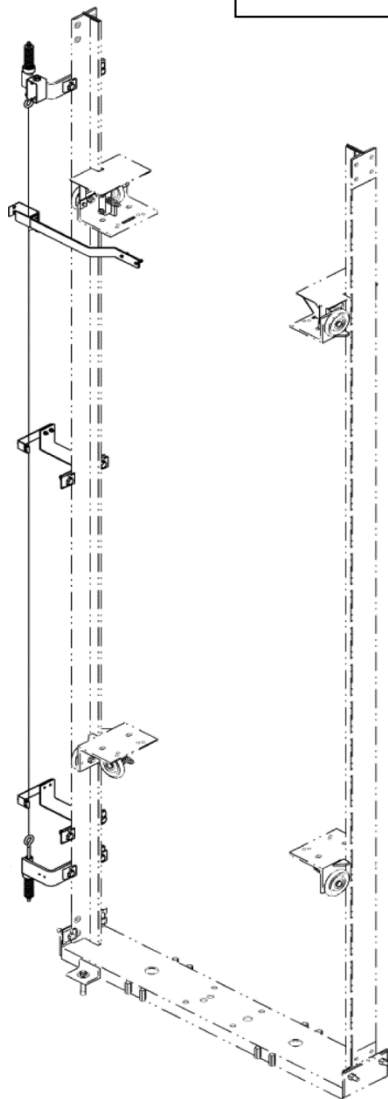


CWT Displacement
Detector, Skyrise®

Spare Parts Leaflet
16-AAA22000AAQ
April 10, 2014/ Page 1 of 3

**W/O
VINTAGE**



OTIS

SERVICE ENGINEERING
Otis Elevator Company
HR-SIT, Shanghai China

Unpublished Work—© Otis Elevator Co.; 2014

Leaflet Description

The SPL describes the lowest replaceable components for the AAA22000AAQ counterweight displacement detector used in the Skyrise (GMH) product.

Leaflet Revisions

Date Revised	Subject Matter Expert	Reason for Revision
April 10, 2014	Goto, Yasuhiro	New SPL

Related Drawings

Drawing No.	Title	Drawing No.	Title
AAA22000AAQ	CWT Displacement Device		

Related Documents

Document ID	Title
16-AAA22000AAA	Counterweight Displacement Detector
16-AAA22000AAJ	Counterweight Displacement Detector High Sway Buildings

Subject Matter Expert

Name	Department
Goto, Yasuhiro	SIT High Rise Shanghai

About Spare Parts Leaflets...

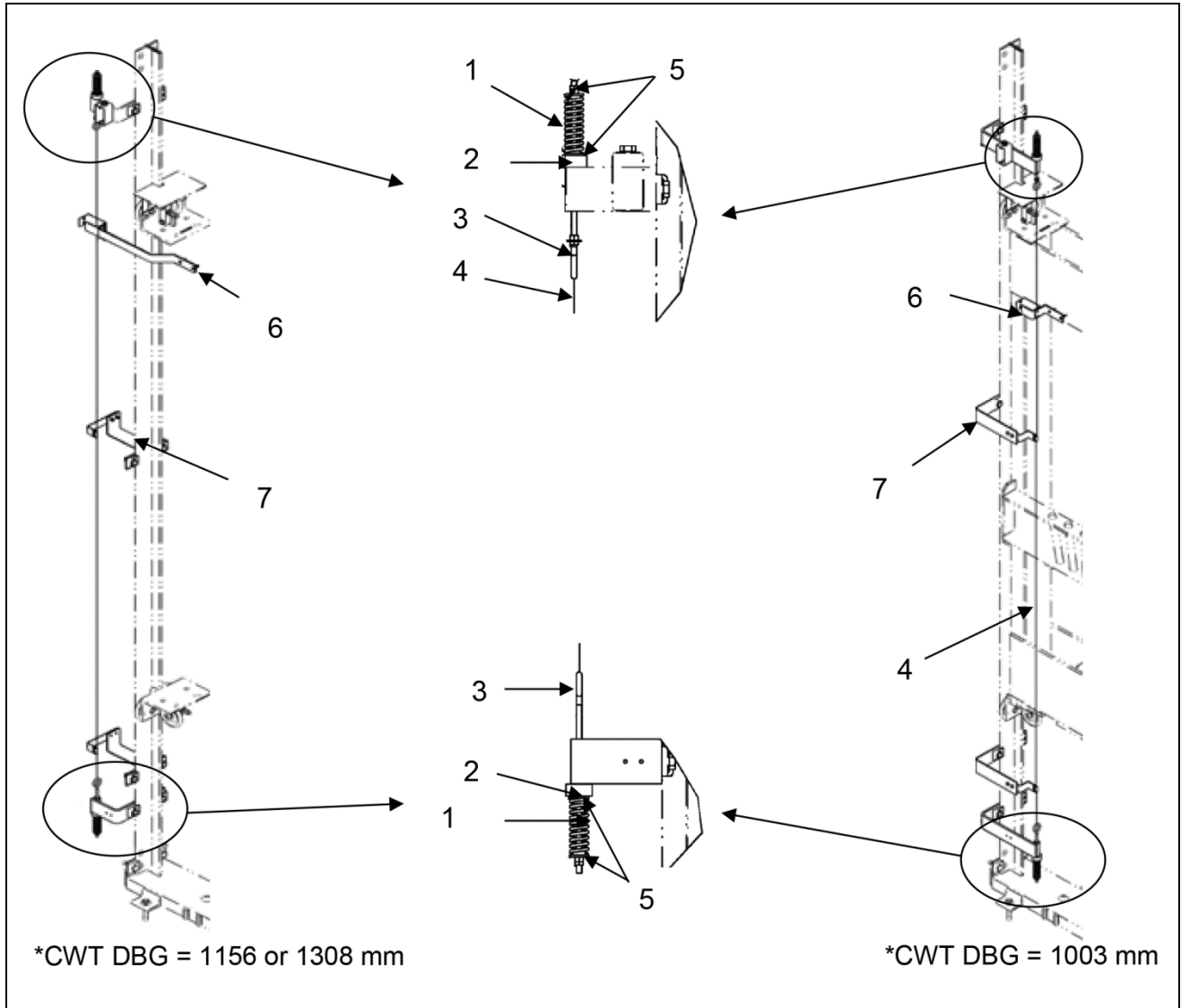
This document lists the lowest replaceable units (LRUs) for the standard version of the product. The LRUs are chosen by a team of Otis associates representing engineering and manufacturing.

While goal of this document is to make parts identification as easy as possible, the document cannot be all-inclusive. Elevator and escalator contracts classified as “special” or “custom” are not addressed here. For such contracts, please refer to specified information, the contract folder, TIPs, Field Education Articles, Construction Letters, etc. for further information.

If you have any suggestions about this document, please contact the subject matter expert listed on this page.

CWT Displacement Detector

16-AAA22000AAQ



REF. No.	PART No.	DESCRIPTION	CWT DBG (mm)
1	90BN1	Spring	-
2	AAA00334AAB001	Bushing, Insulation	-
3	AAA65LE1	Bolt, eye	-
4	AAA174BDG999	Rope, wire, L= Pit + Rise +Overhead+0.3 (m) Order quantity to L (m)	-
5	133E20	Washer, Spring sheet	-
6	AAA316JNH1	Bracket, Detector (W/O CWT Safety)	1003
	AAA316JNH2	Bracket, Detector	1156 or 1308
	AAA316JNH3	Bracket, Detector (W/ CWT Safety)	1003
7	AAA316JNK1	Bracket, Wire support	-