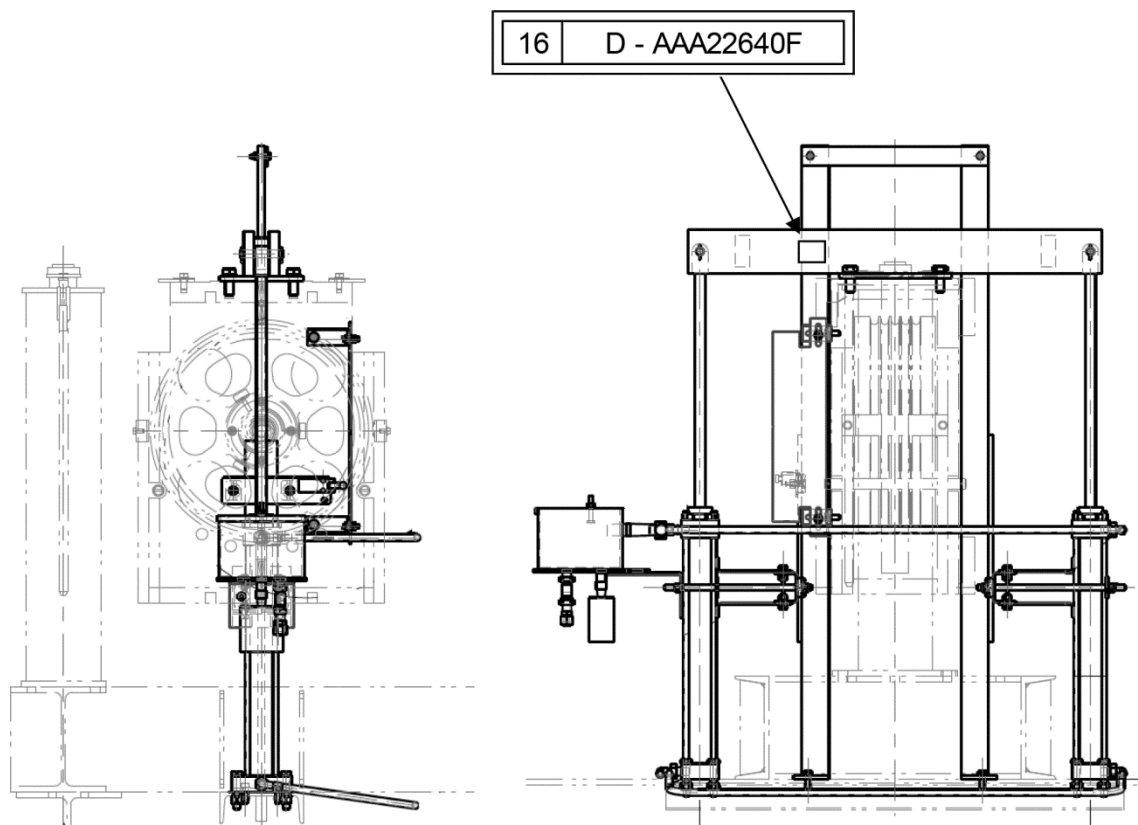


Hydraulic Tie-down
Compensation Device,
Single Sheave, Dual
Cylinder Skyrise®

Spare Parts Leaflet

16-AAA22640F

April 10, 2014 / Page 1 of 4



OTIS

SERVICE ENGINEERING
Otis Elevator Company
Bloomfield, Connecticut USA

Unpublished Work—© Otis Elevator Co.; 2014

Leaflet Description

This SPL listed the lowest replaceable parts for AAA22640F hydraulic tie-down compensation device used on Skyrise (GMH) elevator.

Leaflet Revisions

Date Revised	Subject Matter Expert	Reason for Revision
April 10, 2014	Goto, Yasuhiro	New SPL

Related Drawings

Drawing No.	Title	Drawing No.	Title
AAA22640F	Hydraulic Tie-Down Comp.		
DAA374BM	Compensation Sheave		

Related Documents

Document ID	Title
16-6042AV	Hydraulic Tie Down-Cylinder (pointer to SPL 16-6042AP)
16-6042AP	Free Compensation, Hydraulic Tie Down, Single and Dual Cylinder

Subject Matter Expert

Name	Department
Goto, Yasuhiro	SIT High Rise Shanghai

About Spare Parts Leaflets...

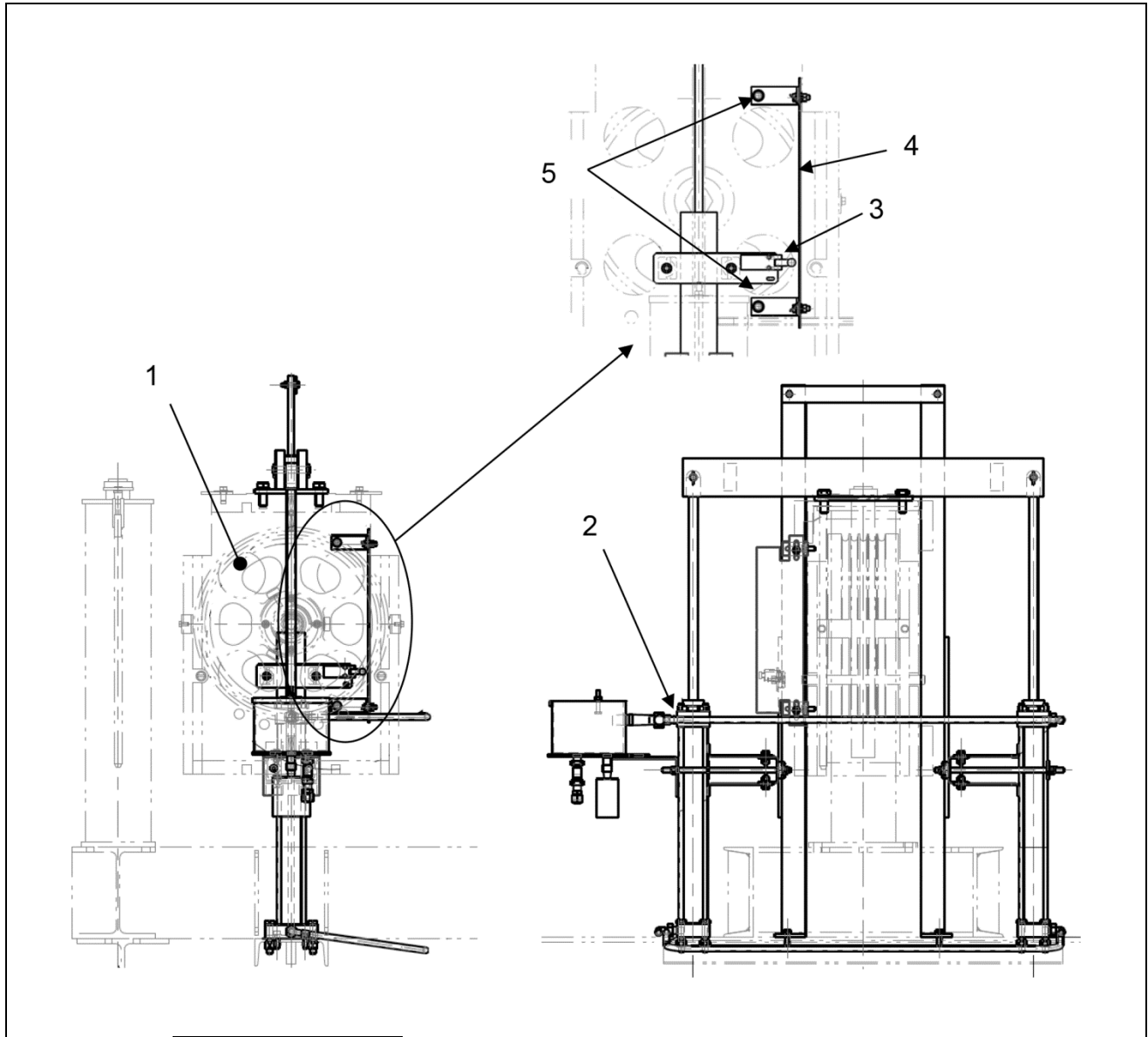
This document lists the lowest replaceable units (LRUs) for the standard version of the product. The LRUs are chosen by a team of Otis associates representing engineering and manufacturing.

While goal of this document is to make parts identification as easy as possible, the document cannot be all-inclusive. Elevator and escalator contracts classified as "special" or "custom" are not addressed here. For such contracts, please refer to specified information, the contract folder, TIPS, Field Education Articles, Construction Letters, etc. for further information.



If you have any suggestions about this document, please contact the subject matter expert listed on this page.

Hydraulic Tie-down Compensation Devise

16-AAA22640F

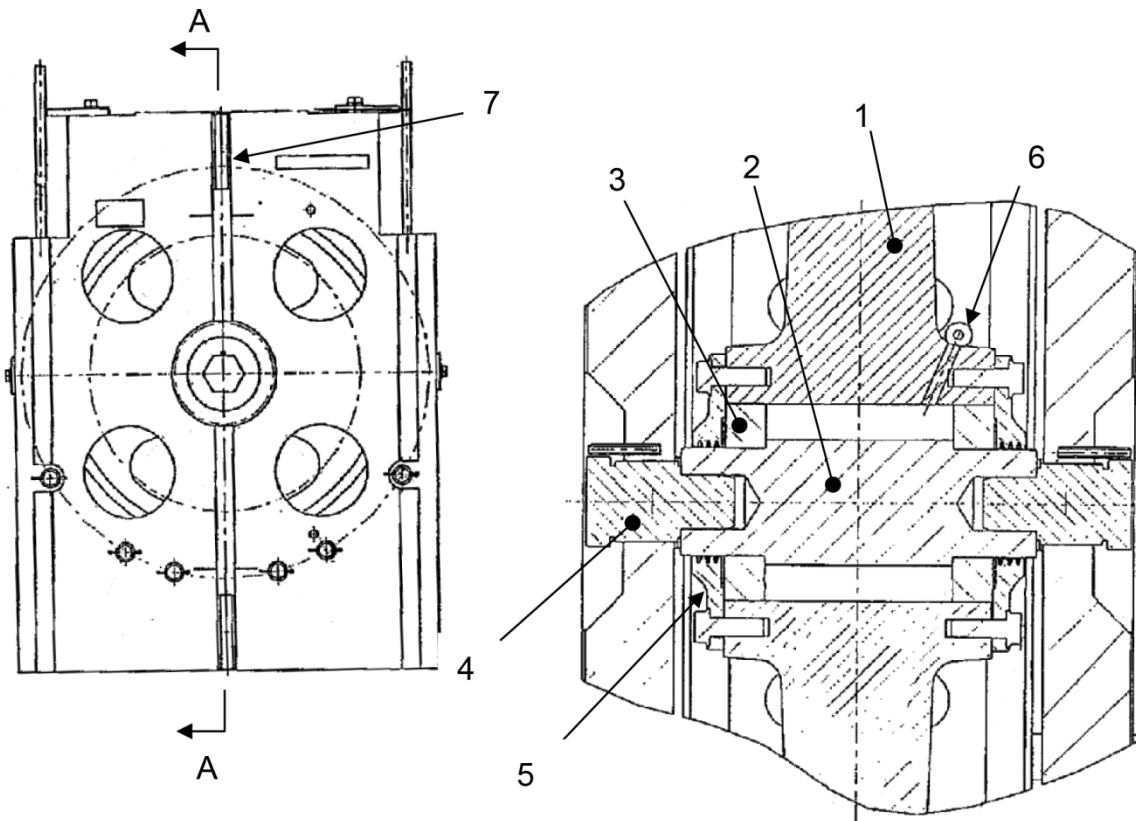


W/O VINTAGE
AAA22640F

REF. No.	PART No.	DESCRIPTION
1	---	Compensation Sheave  See Page 4
2	---	Hydraulic Dual-Cylinder  SPL 16-6042AV, 16-6042AP
3	AAA26900J1	Limit Switch
4	AAA327QF1	Cam
5	AAA283BGY1	Angle, Cam support

Hydraulic Tie-down Compensation Devise

16-AAA22640F



View A-A

W/O VINTAGE
AAA22640F

REF. No.	PART No.	DESCRIPTION
1	AAA265CH9	Sheave, Dia. 600 mm, # of ropes 5~7, Rope Dia. 16 mm
	AAA265CH15	Sheave, Dia. 71 1mm, # of ropes 5~7, Rope Dia. 16 mm
2	495CC2	Shaft
3	207AF4	Bearing
4	AAA65GG1	Bolt Shouldered
5	346AEF1	Cover
6	GB1153-79	M10x1 Fitting
7	380BK1	GIB
-	VP-420240	Grease (Otis Grease Spec #12) 14 ounce grease gun tube