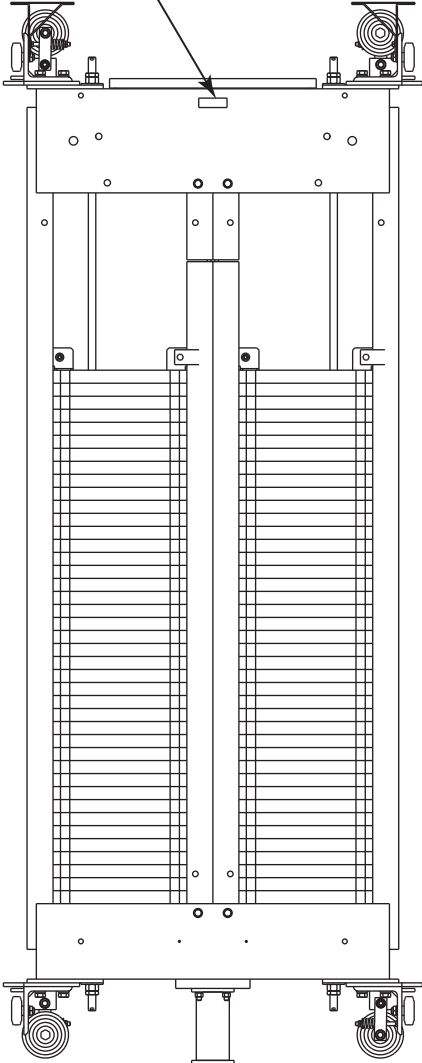


Gen2[®] Counterweight Assembly, 2:1 Roping

Spare Parts Leaflet 16-AAA25700AH

May 19, 2021 / Page 1 of 6

CONTRACT NNNNNN		
16	H - AAA25700AH	NNN
REV DATE YEAR-MM-DD		



This document does not contain any technical data subject to EAR or ITAR

SERVICE ENGINEERING
Otis Elevator Company
Bloomfield, Connecticut USA

Unpublished Work—© Otis Elevator Co.; 2021

Leaflet Description

This SPL provides information on the spare parts available for the counterweight assembly with safeties included. The upper level assembly is AAA25700AH. This counterweight assembly is designed for systems roped 2:1.

Leaflet Revisions

Date Revised	Subject Matter Expert	Reason for Revision
July 27, 2011	Richard Blakelock	New SPL
January 22, 2020	Erik Brewer	Updated adapter plate part numbers on p. 4 and sheave assembly part number on p. 5
May 19, 2021	Erik Brewer	Corrected dwg. number on history page

Related Drawings

Drawing No.	Title	Drawing No.	Title
AAA25700AH	Gen2 Counterweight Assembly	AAA98FS	Connecting Rod
AAA307BL	Lever	AAA307CG	Lever, Safety Linkage
AAA346BBL	Cover Sheave	AA_25700AJ	Counterweight Frame Assembly
AAA346BBJ	Cover Top	AAA25750P	Sub Assembly Counterweight Safety
334H	Bushing Insulating	AAA20780W	Sheave Assembly

Related Documents

Document ID	Title
16-AAA25700S	Gen2L Counterweight
14-KAA24120AAJ	Progressive Safety
14-KAA25830AAA	Roller Guide, Counterweight (spring loaded)

Subject Matter Expert

Name	Department
Juan Murillo	OSC Service Engineering

About Spare Parts Leaflets...

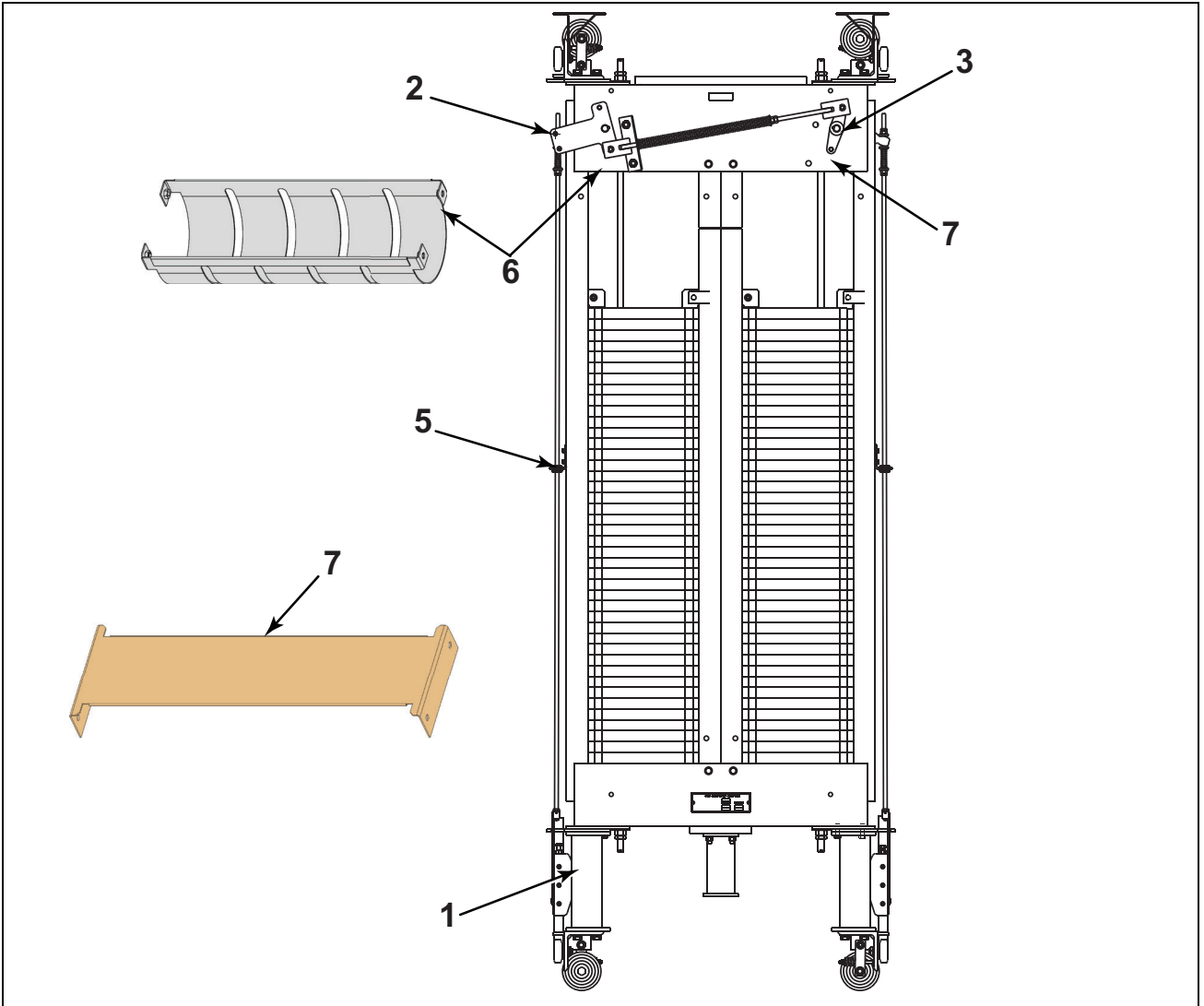
This document lists the lowest replaceable units (LRUs) for the standard version of the product. The LRUs are chosen by a team of Otis associates representing engineering and manufacturing.





While goal of this document is to make parts identification as easy as possible, the document cannot be all-inclusive. Elevator and escalator contracts classified as "special" or "custom" are not addressed here. For such contracts, please refer to specified information, the contract folder, TIPs, Field Education Articles, Construction Letters, etc. for further information.

If you have any suggestions about this document, please contact the subject matter expert listed on this page.

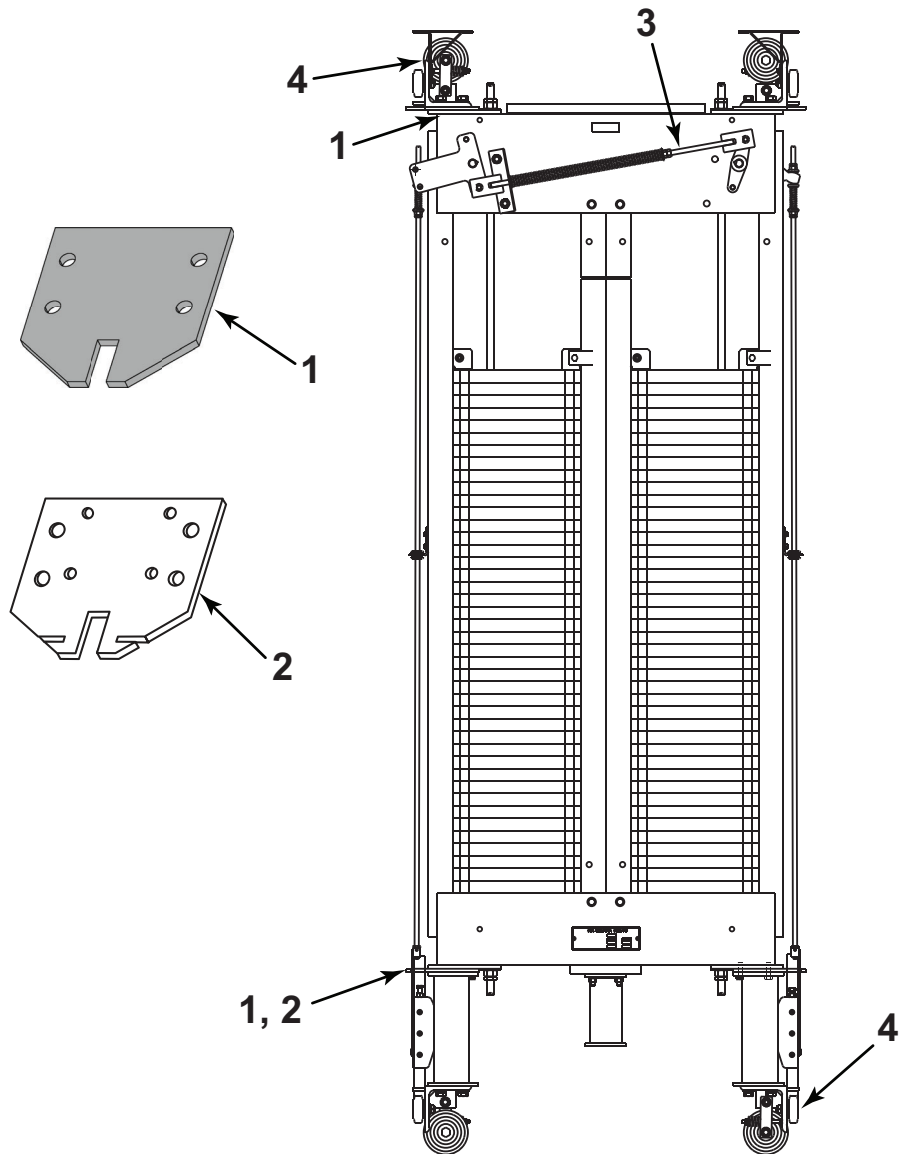
Gen2 Counterweight Assembly

16-AAA25700AH



W/O VINTAGE & AAA25700AH		
REF. No.	PART No.	DESCRIPTION
1	---	Assembly Counterweight Safety  SPL 14-KAA24120AAJ (contract specific)
2	---	Assembly, Lever  p. 6
3	---	Assembly, Lever  p. 6
4	---	Assembly, Sheave (not shown)  p. 5
5	334H26	Bushing Insulating
6	AAA346BBL4	Cover, Bottom, Length = 500 mm
7	AAA346BBJ2	Cover, Top, Length = 530 mm

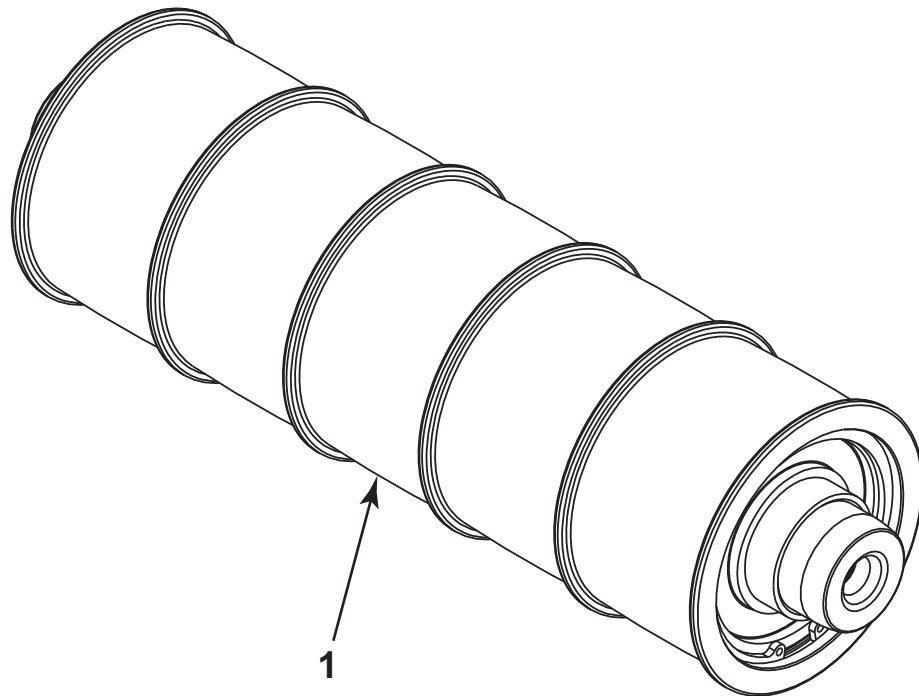
Continued on next page.



**W/O VINTAGE &
AAA25700AH**

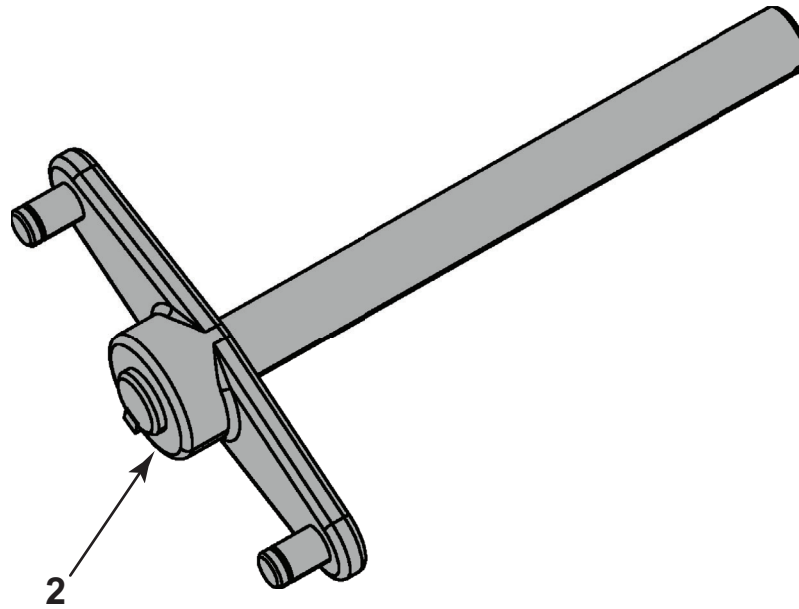
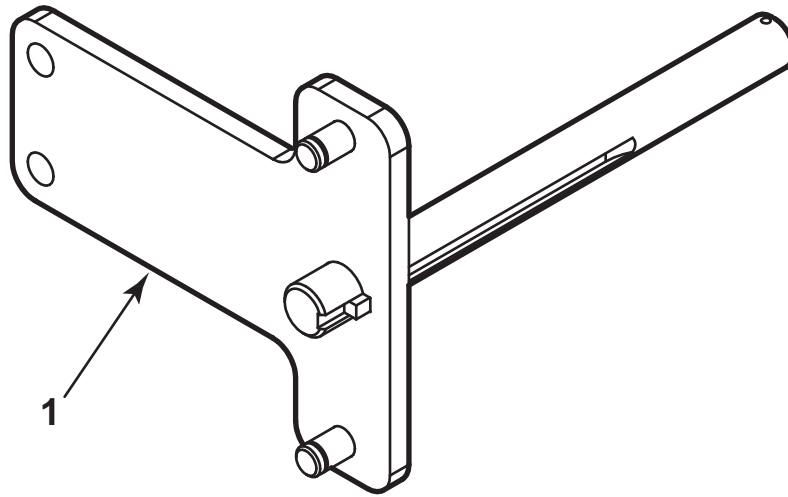
REF. No.	PART No.	DESCRIPTION
1	AAA386LYX1 AAA386LYX5	Plate, Adapter, Counterweight w/o Safety (#1, 1-1/2 rails)
2	AAA386LYX4 AAA386LYX7	Plate, Adapter, Counterweight w/ Safety (#1, 1-1/2 rails)
3	AAA98FS5	Rod, Connecting (assembly with spring)
4	---	Roller Guide Kit, Spring Loaded SPL 14-KAA25830AAA (NOTE)

NOTE: To upgrade roller guide assemblies to spring loaded configuration, see TIP 18.1-8, *Roller Guide Selection and Sizing for Service and Modernization Applications*.



AAA25700AH		
REF. No.	PART No.	DESCRIPTION
1	AAA20780W4 AAA20780AS1	Assembly, Sheave, Bearing, Ball

Lever Assembly



AAA25700AH		
REF. No.	PART No.	DESCRIPTION
1	AAA307CG1	Assembly, Lever (see NOTE)
2	AAA307BL4	Assembly, Lever (see NOTE)

NOTE: Assembly includes one lever, one shaft, one key, and two pins.