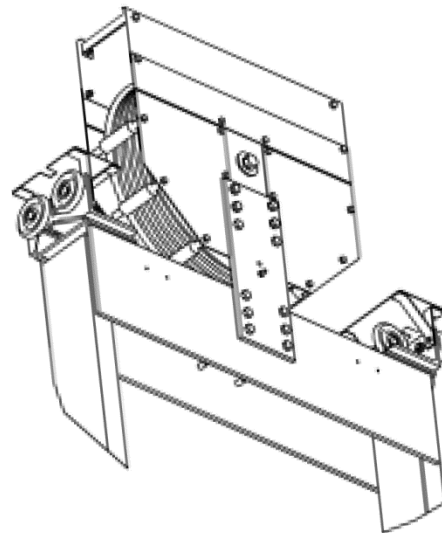
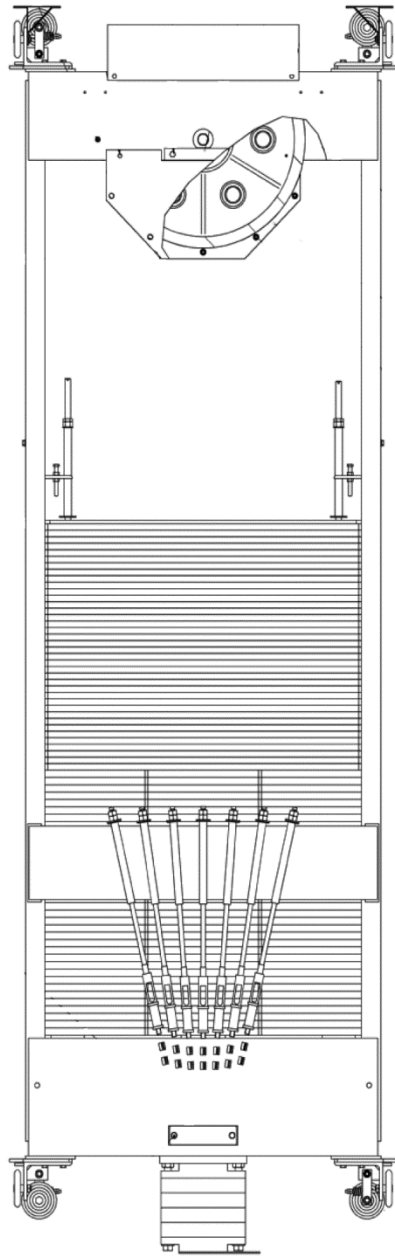


Counterweight Assembly, GMH

Spare Parts Leaflet 16-AAA25700AQ

June 14, 2023 / Page 1 of 10



OTIS

SERVICE ENGINEERING
Otis Elevator Company
Bloomfield, Connecticut USA

Unpublished Work—© Otis Elevator Co.; 2023

Leaflet Description

This SPL lists the lowest replaceable parts for the 2:1 counterweight used in the GMH global model high rise product.

Leaflet Revisions

Date Revised	Subject Matter Expert	Reason for Revision
May 30, 2014	Zhang Ming	New SPL
June 14, 2023	Juan Murillo	Added p/ns ISO2341B-12X35 and AAA81NN1 on p. 7

Related Drawings

Drawing No.	Title	Drawing No.	Title
AAA25700AQ	Assembly, counterweight		
AAA25740A	CWT Safety Linkage		

Related Documents

Document ID	Title
14-AAA24180AW	CWT Roller Guide, (Roller dia. 76)
14-KAA25830A	CWT Roller Guide, (Roller dia. 125)
14-JAA24123AAJ	Assembly, Safety Gear, 5C
14-JAA24123AAK	Assembly, Safety Gear, 8C
14-JAA24123AAM	Assembly, Safety Gear, 12C

Subject Matter Expert

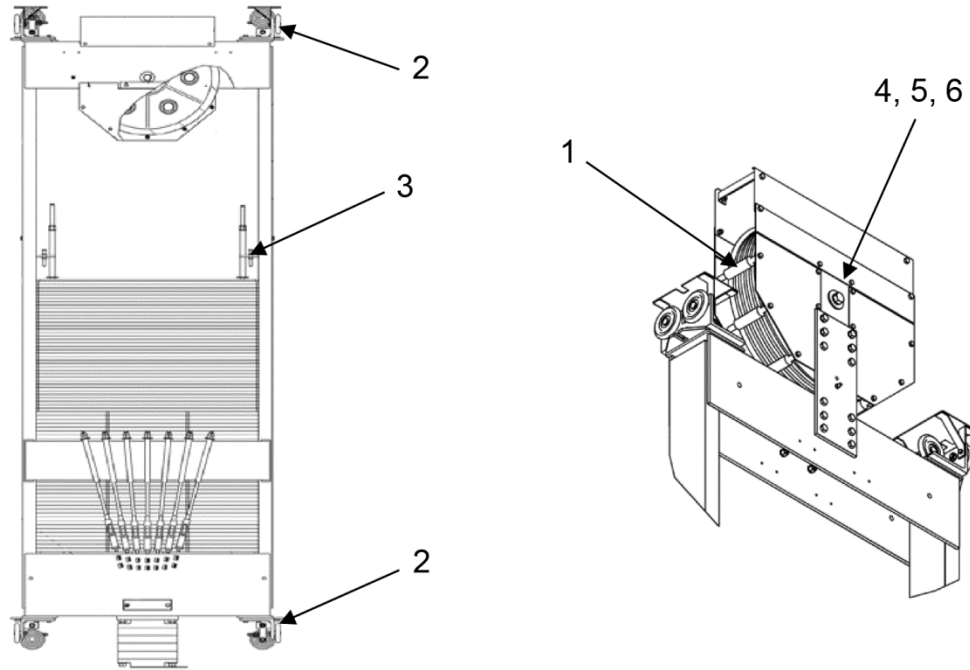
Name	Department
Gary Mendrala	OSC Service Engineering



About Spare Parts Leaflets...

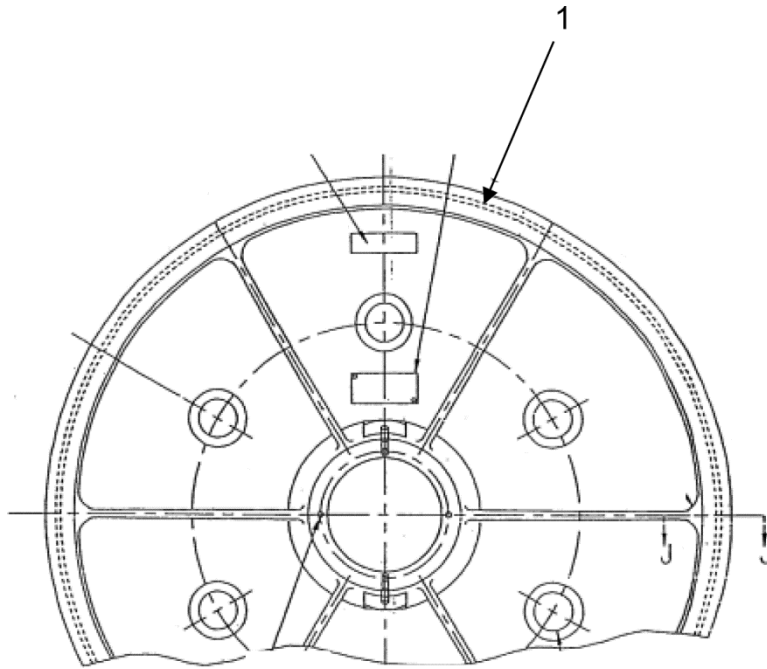
This document lists the lowest replaceable units (LRUs) for the standard version of the product. The LRUs are chosen by a team of Otis associates representing engineering and manufacturing.

While goal of this document is to make parts identification as easy as possible, the document cannot be all-inclusive. Elevator and escalator contracts classified as “special” or “custom” are not addressed here. For such contracts, please refer to specified information, the contract folder, TIPS, Field Education Articles, Construction Letters, etc. for further information.

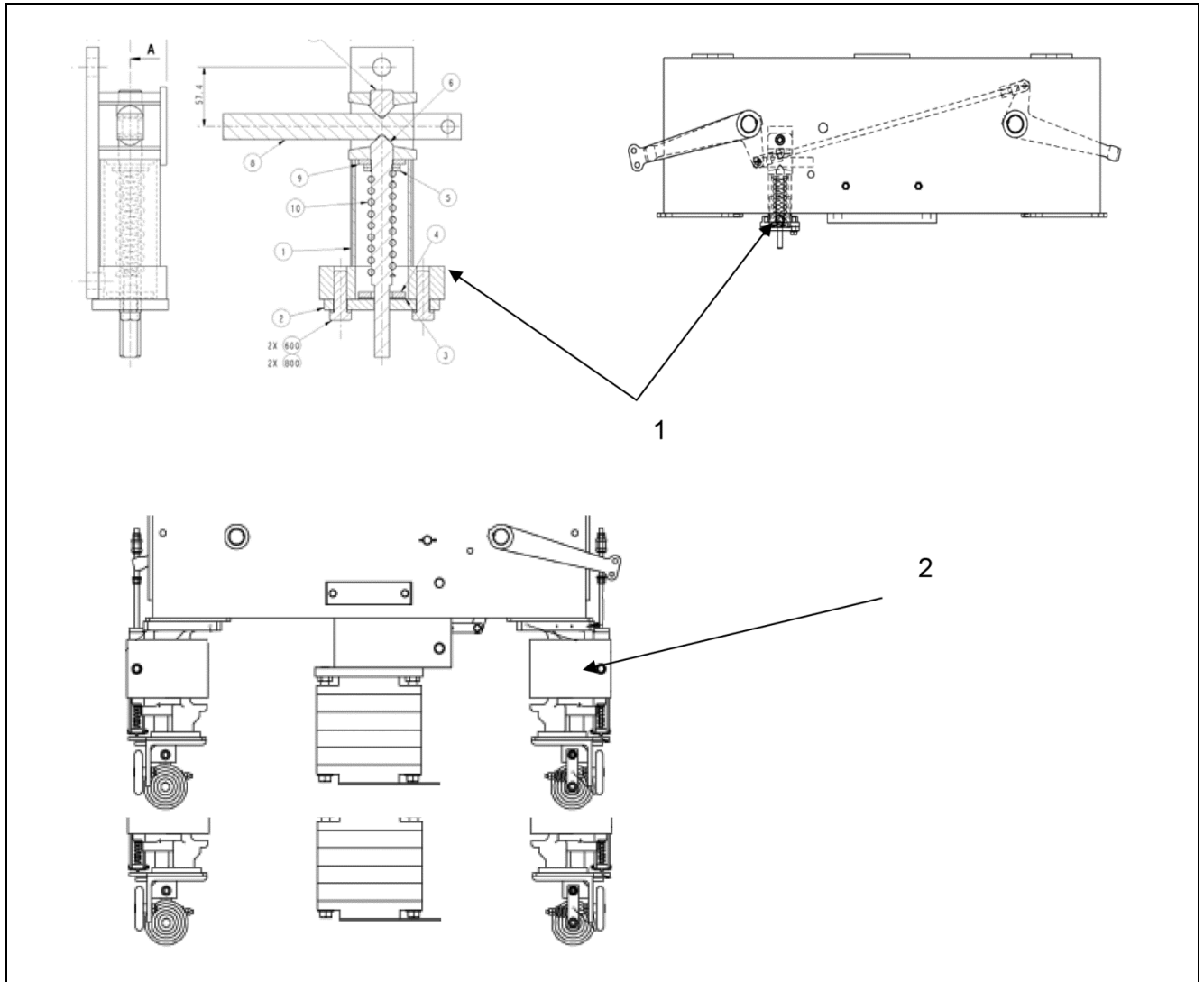
If you have any suggestions about this document, please contact the subject matter expert listed on this page.



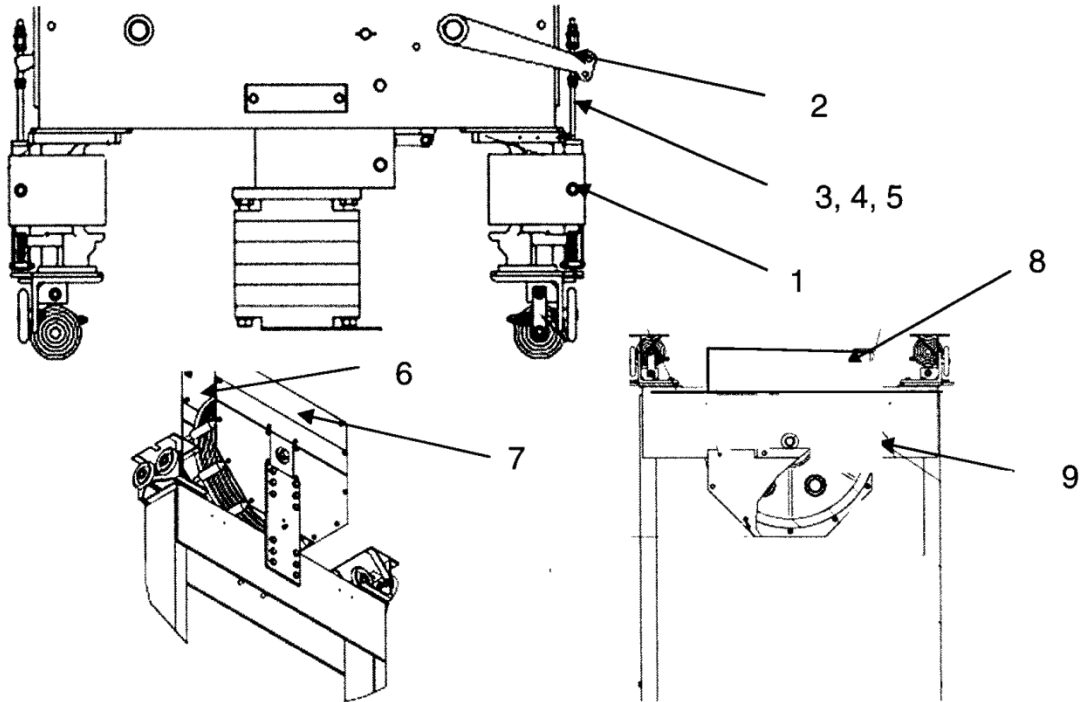
W/O VINTAGE		
REF. No.	PART No.	DESCRIPTION
1	AAA25870L1	Assembly, Sheave, 6-Groove, 1/2" rope, 28" diameter
	AAA25870L2	Assembly, Sheave, 5-Groove, 1/2" rope, 28" diameter
	AAA25870L3	Assembly, Sheave, 8-Groove, 1/2" rope, 28" diameter
	AAA25870L4	Assembly, Sheave, 7-Groove, 1/2" rope, 28" diameter
	AAA25870L5	Assembly, Sheave, 4-Groove, 1/2" rope, 28" diameter
2	---	CWT Roller Guide, (Roller dia. 76 mm)  SPL 14-AAA24180AW
	---	CWT Roller Guide, (Roller dia. 125 mm)  SPL 14-KAA25830A
3	AAA96DH4	Rod (length = 10.5 feet)
	AAA96DH22	Rod (length = 12.5 feet)
4	AAA495FY1	Shaft
5	209J4	Bearing
6	DAA346AN1	Cover



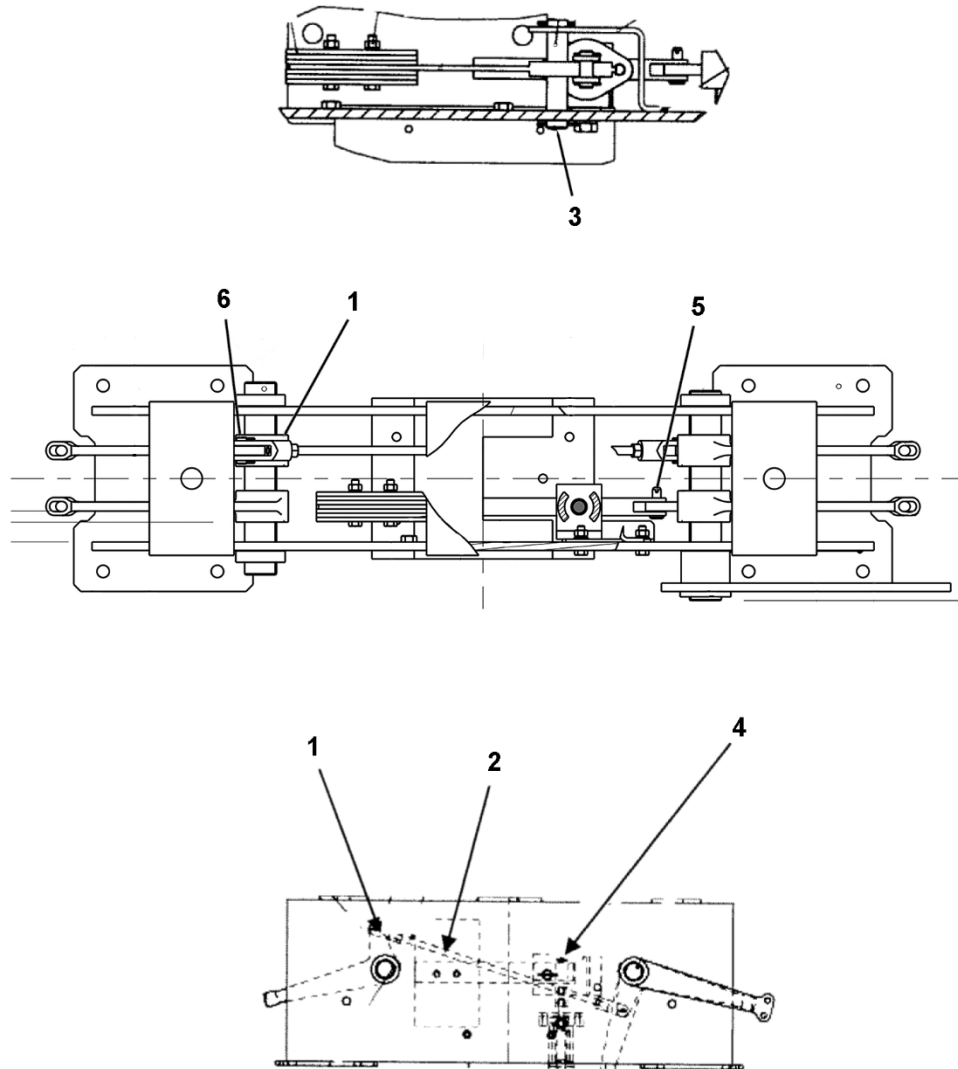
W/O VINTAGE		
REF. No.	PART No.	DESCRIPTION
1	DAA266B1	Sheave 13 mm, 1/2" rope , 6 groove
	DAA266B2	Sheave 13 mm, 1/2" rope , 5 groove
	DAA266B3	Sheave 13 mm, 1/2" rope , 8 groove
	DAA266B4	Sheave 13 mm, 1/2" rope , 7 groove
	DAA266B5	Sheave 13 mm, 1/2" rope , 4 groove



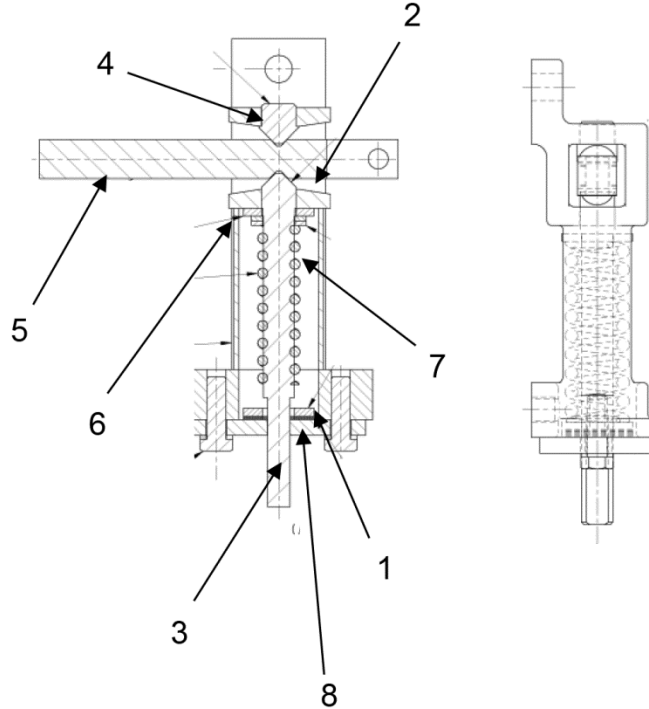
W/O VINTAGE		
REF. No.	PART No.	DESCRIPTION
1	AAA6484F5	Assembly, Releasing Carrier (As shown), for 7063E Governor, Rise <=150 m
	AAA6484F6	Assembly, Releasing Carrier (Opposite), for 7063E Governor, Rise <=150 m
	AAA24004C1	Assembly, Releasing Carrier (As shown), for 7063E Governor, Rise >150 m
	AAA24004C3	Assembly, Releasing Carrier (Opposite), for 7063E Governor, Rise >150 m
	AAA25750Q1	Assembly, Releasing Carrier (As shown), for HSXMR, XMR, MR Governor, Rise <=150 m
	AAA25750Q2	Assembly, Releasing Carrier (Opposite), for HSXMR, XMR, MR Governor, Rise <=150m
2	---	Assembly, Safety, 5C, SPL 14-JAA24123AAJ
	---	Assembly, Safety, 8C, SPL 14-JAA24123AAK
	---	Assembly, Safety, 12C, SPL 14-JAA24123AAM



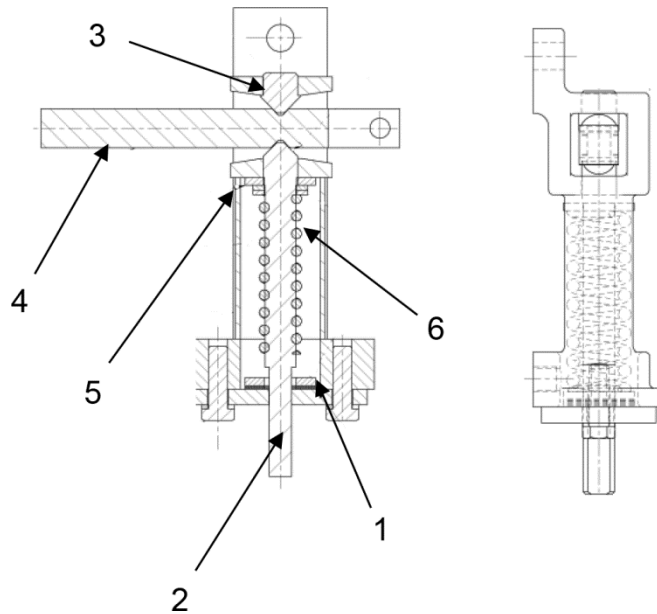
W/O VINTAGE		
REF. No.	PART No.	DESCRIPTION
1	AAA98PJ1	Lift rod, safety (length = 22.12 inch)
	AAA98PJ2	Lift rod, safety (length = 9.05 inch)
	AAA98MC3	Lift rod, safety (length = 18.75 inch)
2	AAA386MVZ1	Retaining plate seismic (contract speed > 3.5 m/s)
	AAA386MVZ2	Retaining plate seismic (contract speed <= 3.5 m/s)
3	AAA386MBT1	Plate (0.5 inch thick)
4	AAA386MBT2	Plate (0.05 inch thick)
5	336KC1	Rope clamp
6	AAA347MCS2	Guard, sheave, top
7	AAA384AWM2	Guard, sheave, side
8	AAA384AWM1	Guard, top
9	AAAA384WL2	Guard, side



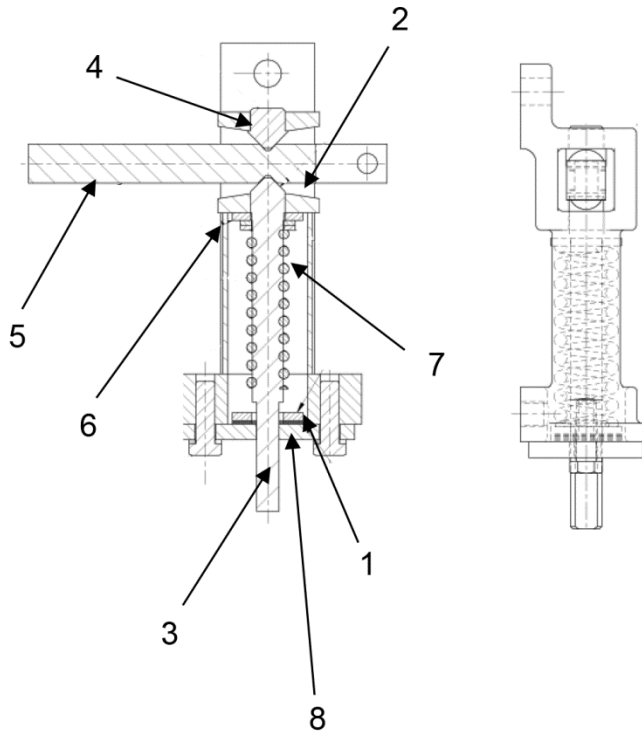
W/O VINTAGE		
REF. No.	PART No.	DESCRIPTION
1	338P1	Spherical Rod End
2	AAA96AAA47	Rod, Threaded CWT DBG = 39.5 inch
	AAA96AAA49	Rod, Threaded CWT DBG = 49.5 inch
	AAA96AAA50	Rod, Threaded CWT DBG = 51.5 inch
3	AAA81NN3	Shaft
4	AAA81NN2	Pin, Release Carrier
5	ISO2341B-12X35	Pin
6	AAA81NN1	Pin



REF. No.	W/O VINTAGE PART No.	DESCRIPTION
		AAA6484F Release carrier for C7063E governor (rise <=150 m)
1	AAA127CL4	Washer
2	AAA127CL8	Washer
3	AAA81NM2	Pin
4	AAA444DR1	Plug
5	AAA331DP4	Catch, Length = 13 inch
	AAA331DP5	Catch, Length = 9 inch
	AAA331DP6	Catch, Length = 6.75 inch
6	AAA127CL4	Washer
7	AAA90EY1	Spring ID = .78 inch, Length = 4 inch
	AAA90FF2	Spring ID = 1 inch, Length = 5.11 inch
8	AAA127CL12	Washer, Retaining



	W/O VINTAGE	AAA24004C Release carrier for C7063E governor (rise >150 m)
REF. No.	PART No.	DESCRIPTION
1	127VB8	Washer
2	79EA1	Pin
3	444G1	Plug
4	AAA331DX1	Catch
5	AAA127DC1	Washer
6	90XC8	Spring



W/O VINTAGE **AAA25750Q Release carrier for HSXMR governor (rise <=150 m)**

REF. No.	PART No.	DESCRIPTION
1	AAA127CL5	Washer
2	AAA127CL4	Washer
3	AAA81NM2	Pin
4	AAA444DR1	Plug
5	AAA331DP6	Catch
6	AAA127CL4	Washer
7	AAA90HK1	Spring
8	AAA127CL12	Washer, Retaining