

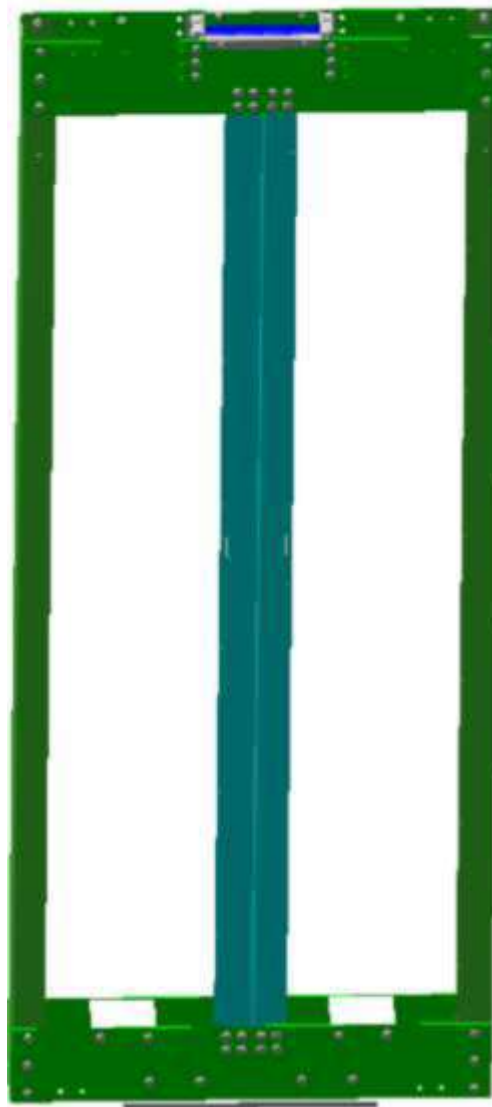
**Counterweight Assembly  
2100, 2500, 3000, 3500,  
4000, 4500, 5000 Duty**

**Spare Parts Leaflet**

**16-AAA25700BM**

**January 12, 2022 / Page 1 of 7**

16 A - AAA25700BM



**OTIS**

This document does not contain any  
technical data subject to EAR or ITAR

**SERVICE ENGINEERING  
Otis Elevator Company  
Bloomfield, Connecticut USA**

Unpublished Work—© Otis Elevator Co.; 2022

**Leaflet Description**

This leaflet provides information for replacement components for the Gen2 Underslung counterweights. The sheave shaft assemblies utilize two tapped holes as the anti-rotation mechanisms vs. the key plate and slot arrangement of previous designs.

**Leaflet Revisions**

<b>Date Revised</b>	<b>Subject Matter Expert</b>	<b>Reason for Revision</b>
November 10, 2021	Juan Murillo	New SPL
January 12, 2022	Juan Murillo	Corrected cover page image

**Related Drawings**

<b>Drawing No.</b>	<b>Title</b>	<b>Drawing No.</b>	<b>Title</b>
AAA25700BM	Assembly, Counterweight	AAA384AVZ	Sheave Guard
AAA20780W	Sheave Assembly	AAA386MSR	Plate Sheave Guard
FAA320R	Buffer	AAA386MMD	Plate
FAA320FC	Buffer	AAA380CE	Gib
AAA24179F	Sliding Guides		

**Related Documents**

<b>Document ID</b>	<b>Title</b>
SPL 03-FAA320FC	Buffer for Gen2 ASME A17.1:2016
SPL 03-FAA320R	Buffer
SPL 16-AAA25700AH	Gen2 Counterweight 2:1
SPL 16-AAA25700AG	Gen2 Counterweight 2:1 Gen2 Underslung
SPL 16-FAA25700BX	Gen2 953, 1134 kg Duty Counterweight
SPL 14-AAA24179F	Gen2L Counterweight Sliding Guides
TIP 18.2-3	Gen2 Underslung Counterweight Sliding Guide Replacement

**Subject Matter Expert**

<b>Name</b>	<b>Department</b>
Juan Murillo	OSC Service Engineering

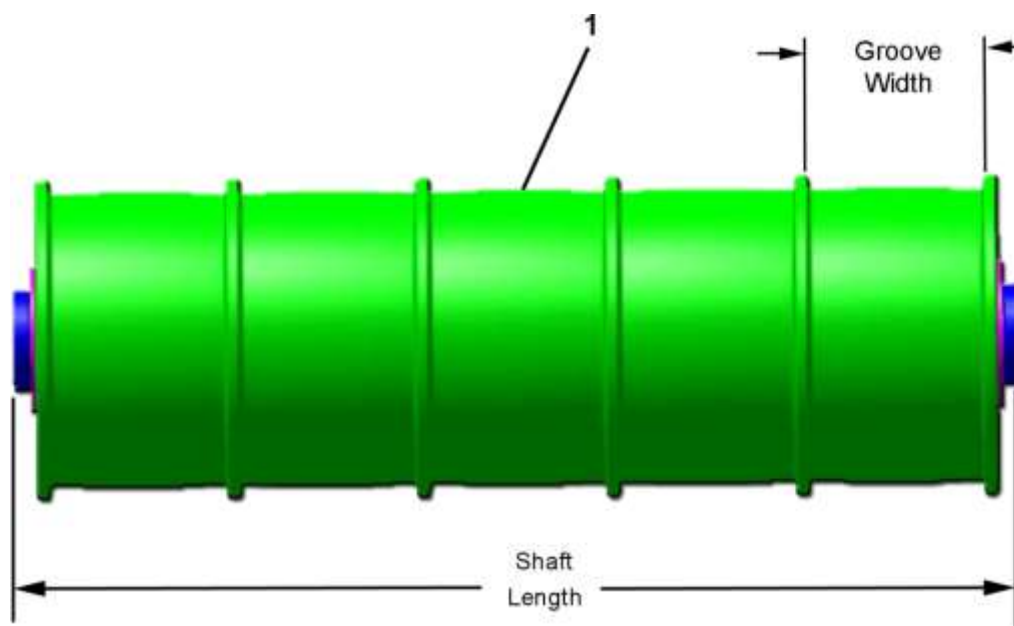
This document lists the lowest replaceable units (LRUs) for the standard version of the product. The LRUs are chosen by a team of Otis associates representing engineering and manufacturing.

While goal of this document is to make parts identification as easy as possible, the document cannot be all-inclusive. Elevator and escalator contracts classified as "special" or "custom" are not addressed here. For such contracts, please refer to specified information, the contract folder, TIPS, Field Education Articles, Construction Letters, etc. for further information.

If you have any suggestions about this document, please contact the subject matter expert listed on this page.

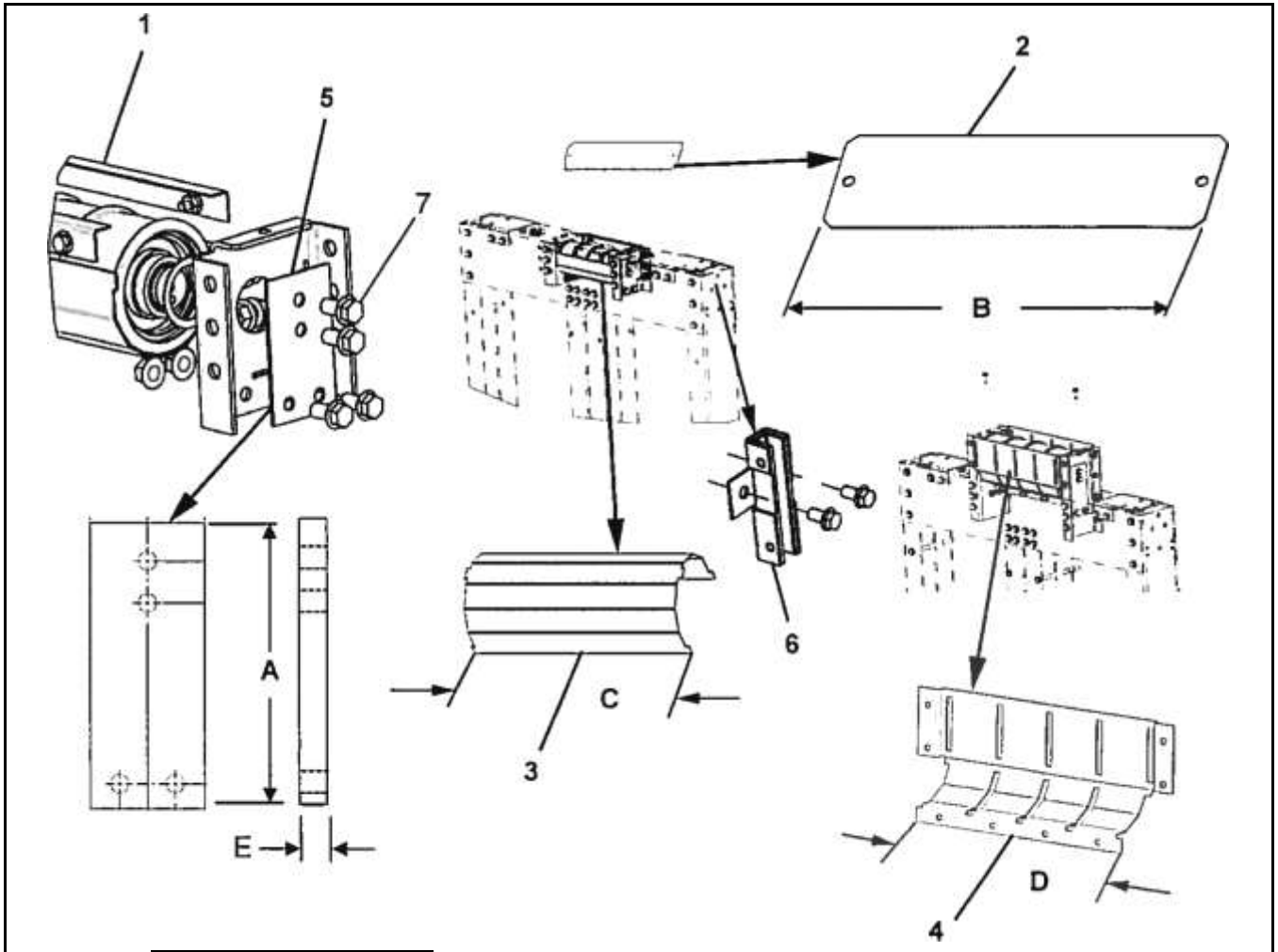
# Sheave Assembly


**16-AAA25700BM**



**NOTE:** These sheave assembly arrangements do not utilize slotted shafts as an anti-rotation mechanism. Tapped holes in the shaft ends are used to prevent rotation.

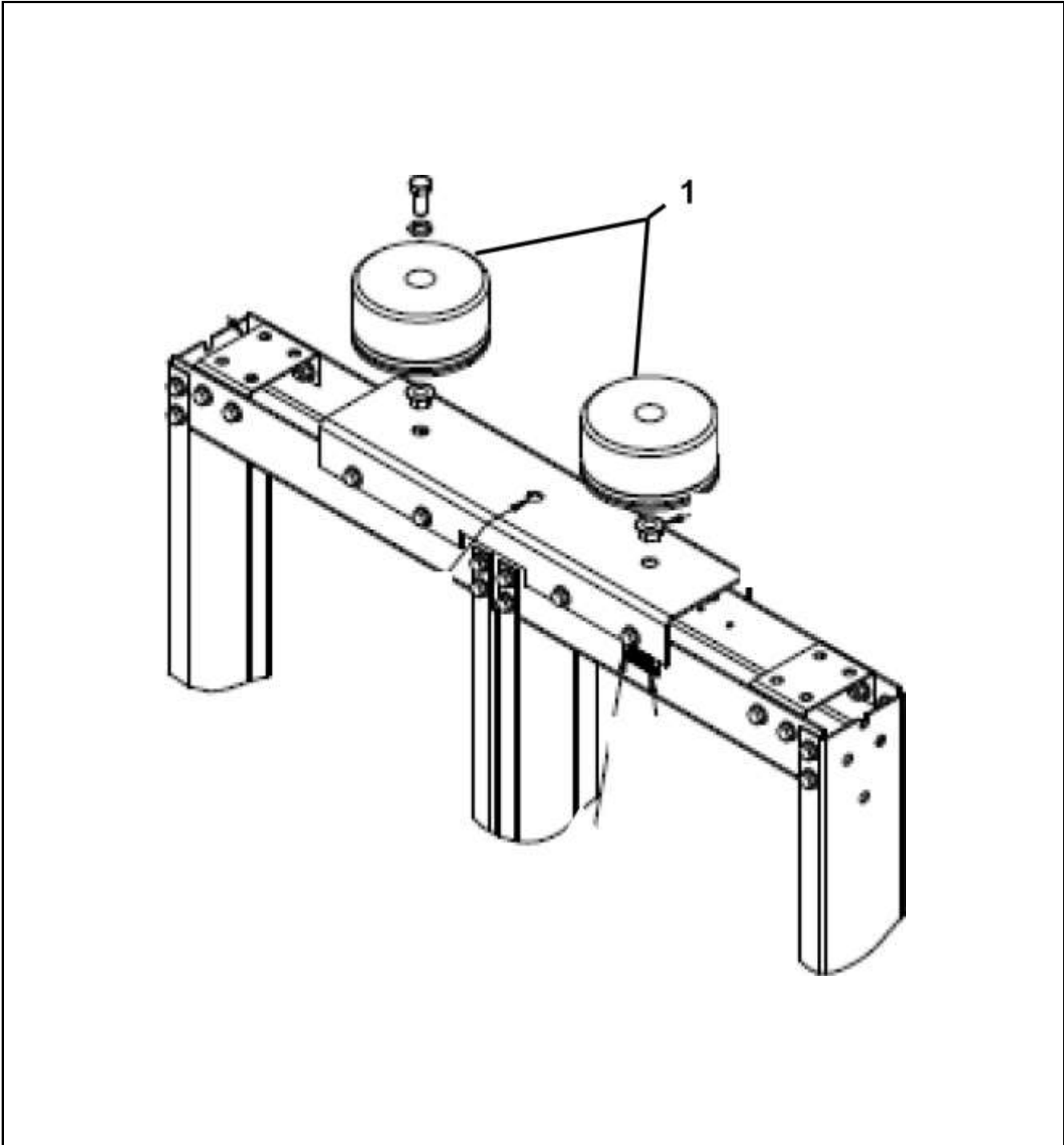
		<b>AAA25700BM</b>	
<b>REF. No.</b>	<b>PART No.</b>	<b>DESCRIPTION</b>	<b>GROOVE WIDTH</b>
1	AAA20780P8	Assembly, Sheave, 4-Groove (Shaft Length = 11.02 in.)	60 mm
	AAA20780P9	Assembly, Sheave, 5-Groove (Shaft Length = 13.58 in.)	60 mm
	AAA20780W9	Assembly, Sheave, 4-Groove (Shaft Length = 15.86 in.)	90 mm
	AAA20780W10	Assembly, Sheave, 5-Groove (Shaft Length = 19.60 in.)	90 mm




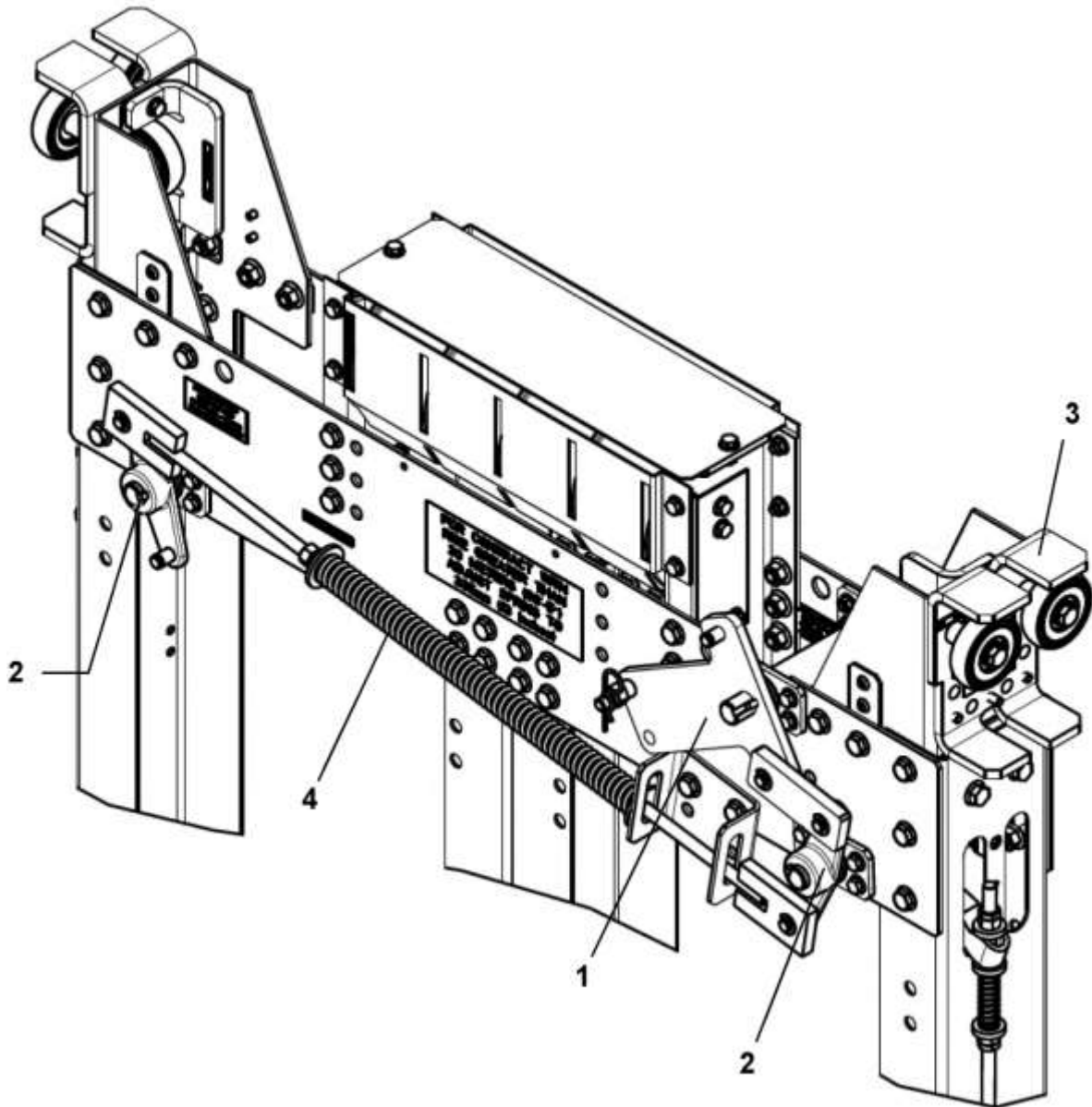
AAA25700BM		
REF. No.	PART No.	DESCRIPTION
1	AAA283BHK3	Angle, Sheave Guard (used with AAA20780P8)
	AAA283BHK4	Angle, Sheave Guard (used with AAA20780P9)
2	AAA386MMF1	Guard, Sheave B = 12.80 in. (used with AAA20780P8)
	AAA386MMF2	Guard, Sheave B = 15.35 in. (used with AAA20780P9)
	AAA386MSR1	Guard, Sheave B = 17.51 in. (used with AAA20780W9)
	AAA386MSR2	Guard, Sheave B = 21.65 in. (used with AAA20780W10)
3	AAA384AWH1	Guard, Sheave C = 10.78 in. (used with AAA20780P8)
	AAA384AWH2	Guard, Sheave C = 13.34 in. (used with AAA20780P9)
4	AAA384AVZ1	Guard, Sheave D = 15 in. (used with AAA20780W9)
	AAA384AVZ3	Guard, Sheave D = 18.31 in. (used with AAA20780W10)
5	AAA386MMD2	Plate, Shaft, Retaining A = 6.69 in., E = 0.1084 in. (used with AAA20780W)
	AAA386MMD4	Plate Shaft, Retaining A = 4.72 in., E = 0.25 in. (used with AAA20780P)
6	---	Sliding Guide,  SPL 14-AAA24179F
7	N0N1241M8X20-8.8Z	H.H.C.S. w/ Serrated Flange E = 0.1084 in.


# Buffer

**16-AAA25700BM**



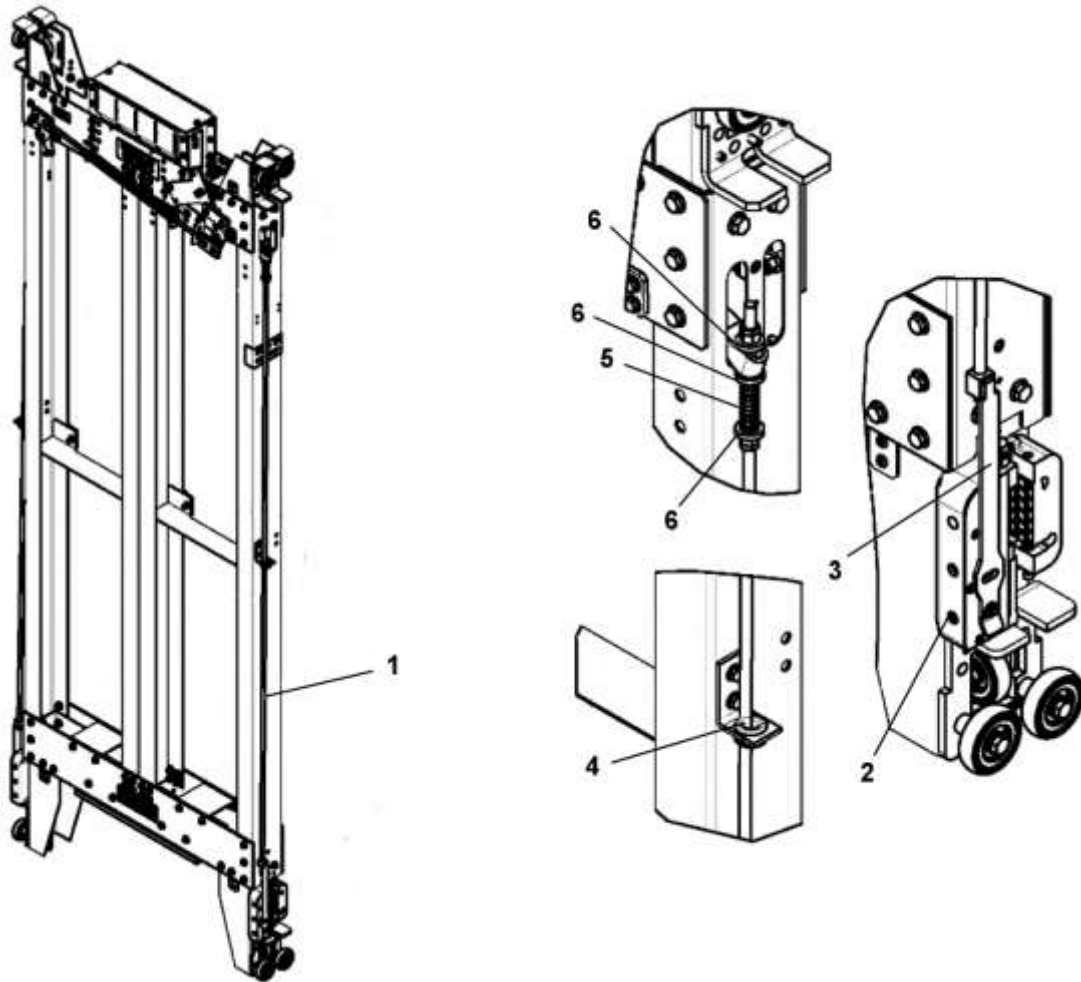
	<b>AAA25700BM</b>	
<b>REF. No.</b>	<b>PART No.</b>	<b>DESCRIPTION</b>
1	FAA320R3	Buffer, Type FAA320FC,  SPL 03-FAA320FC




<b>AAA25700BM</b>		
<b>REF. No.</b>	<b>PART No.</b>	<b>DESCRIPTION</b>
1	AAA307CL2	Assembly, Lever, Governor Rope
2	AAA307CK2	Assembly, Lever, Lift Rod Levers
3	---	Assembly, Roller Guide,  SPL 14-AAA24180BC
4	AAA98QD1	Linkage, Connecting

# Safety Related Components

**16-AAA25700BM**



AAA25700BM		
REF. No.	PART No.	DESCRIPTION
1	AAA98NG44	Assembly, Lift Rod, L = 1562
	AAA98NG45	Assembly, Lift Rod, L = 1950
	AAA98NG46	Assembly, Lift Rod, L = 2220
	AAA98NG47	Assembly, Lift Rod, L = 2624
	AAA98NG48	Assembly, Lift Rod, L = 2827
	AAA98NG49	Assembly, Lift Rod, L = 2928
	AAA98NG50	Assembly, Lift Rod, L = 3035
	AAA98NG51	Assembly, Lift Rod, L = 3137
	AAA98NG52	Assembly, Lift Rod, L = 3233
	AAA98NG53	Assembly, Lift Rod, L = 3340
AAA98NG54	Assembly, Lift Rod, L = 3537	
2	---	Assembly, Counterweight Safety,  SPL 14-KAA24120AAJ (contract specific)
3	AAA299ARS26	Bar, Lift
4	334H26	Bushing, Insulating
5	90JB10	Spring, Compression
6	DIN7349M12-Z	Washer, Thick