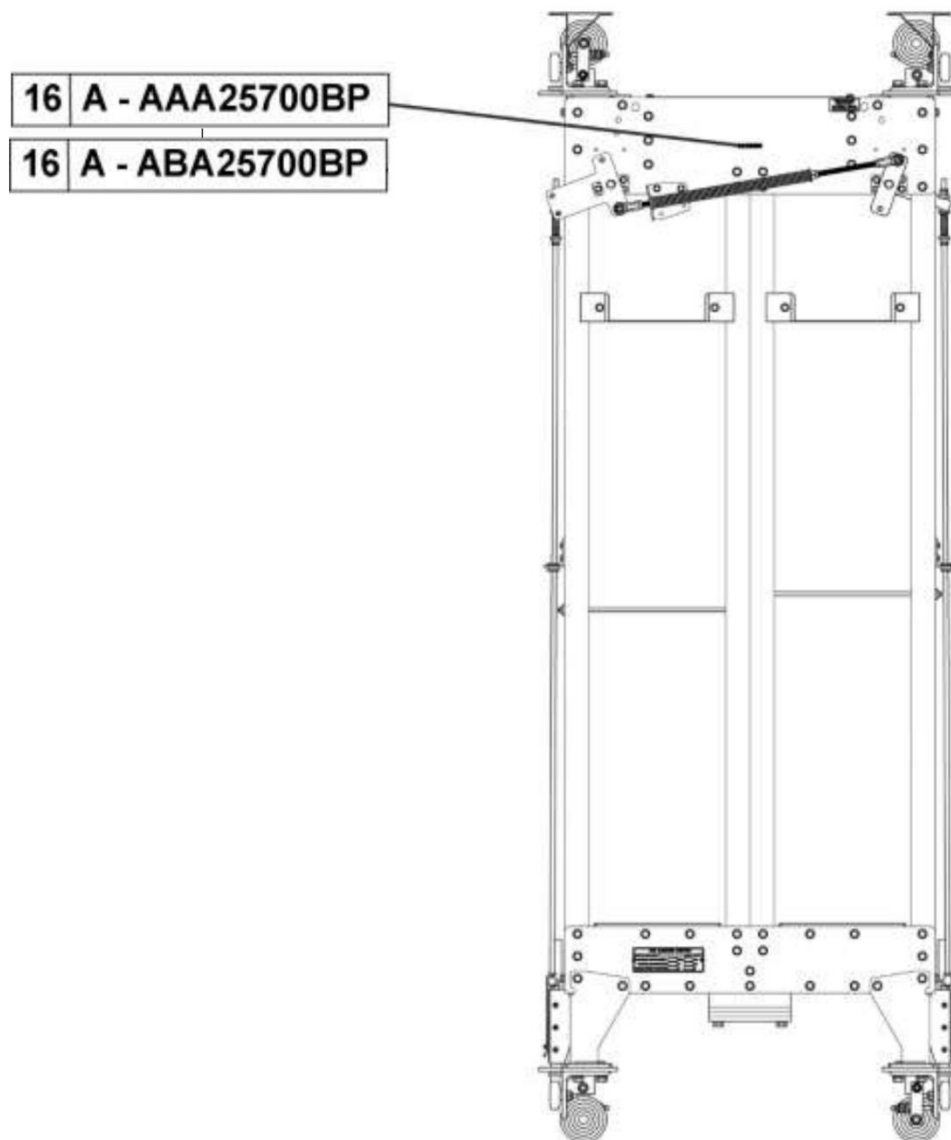


**G20 and Gen3 Peak  
Counterweight  
Assembly, 2:1 Roping**

**Spare Parts Leaflet**

**16-AAA25700BP**

**February 22, 2023 / Page 1 of 7**



**OTIS**

This document does not contain any technical data subject to EAR or ITAR

**SERVICE ENGINEERING**

**Otis Elevator Company**

**Bloomfield, Connecticut USA**

Unpublished Work—© Otis Elevator Co.; 2023

**Leaflet Description**

This SPL provides information on the spare parts available for the counterweight assembly with safeties included. The upper-level assembly is AAA25700BP. This counterweight assembly is designed for systems roped 2:1 used on Gen2 Overslung (G2O) and Gen3 Peak.

**Leaflet Revisions**

<b>Date Revised</b>	<b>Subject Matter Expert</b>	<b>Reason for Revision</b>
November 24, 2021	Juan Murillo	New SPL
February 22, 2023	Gary Mendrala	Added spring p/n AAA90JL1 on p. 4

**Related Drawings**

<b>Drawing No.</b>	<b>Title</b>	<b>Drawing No.</b>	<b>Title</b>
AAA25700BP	Gen2 Counterweight Assembly	AAA98SD	Connecting Rod
AAA307CK	Lever	AAA307CV	Lever, Safety Linkage
AAA346BWB	Cover Sheave	AAA25750V	Sub Assembly Counterweight Safety
AAA386PCX	Cover Top	AAA20780AS	Sheave Assembly
334H	Bushing Insulating		

**Related Documents**

<b>Document ID</b>	<b>Title</b>
14-KAA24120AAJ	Progressive Safety
14-KAA25830AAA	Roller Guide, Counterweight (spring loaded)

**Subject Matter Expert**

<b>Name</b>	<b>Department</b>
Juan Murillo	OSC Service Engineering

**About Spare Parts Leaflets...**

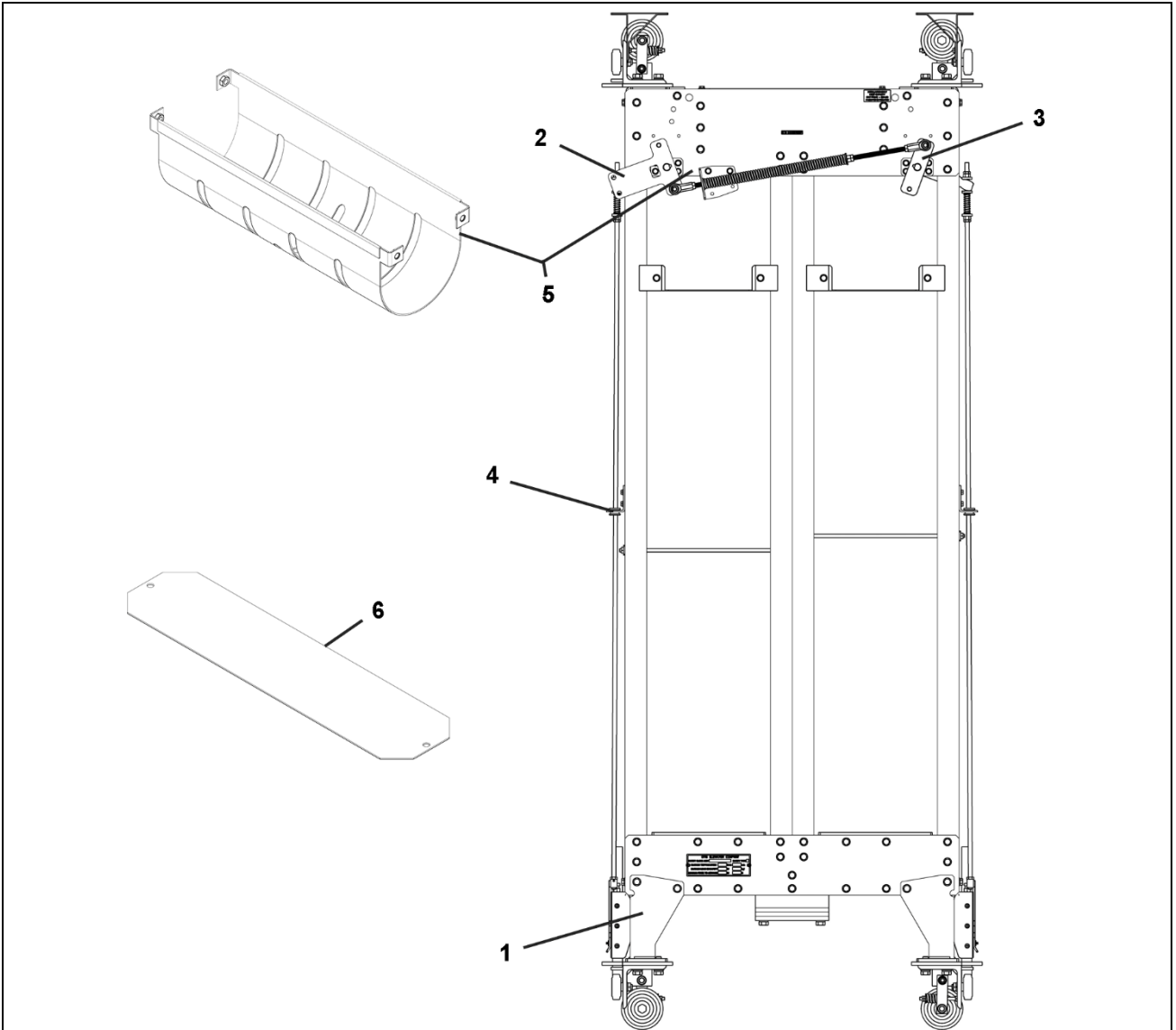
This document lists the lowest replaceable units (LRUs) for the standard version of the product. The LRUs are chosen by a team of Otis associates representing engineering and manufacturing.





While goal of this document is to make parts identification as easy as possible, the document cannot be all-inclusive. Elevator and escalator contracts classified as "special" or "custom" are not addressed here. For such contracts, please refer to specified information, the contract folder, TIPs, Field Education Articles, Construction Letters, etc. for further information.

If you have any suggestions about this document, please contact the subject matter expert listed on this page.

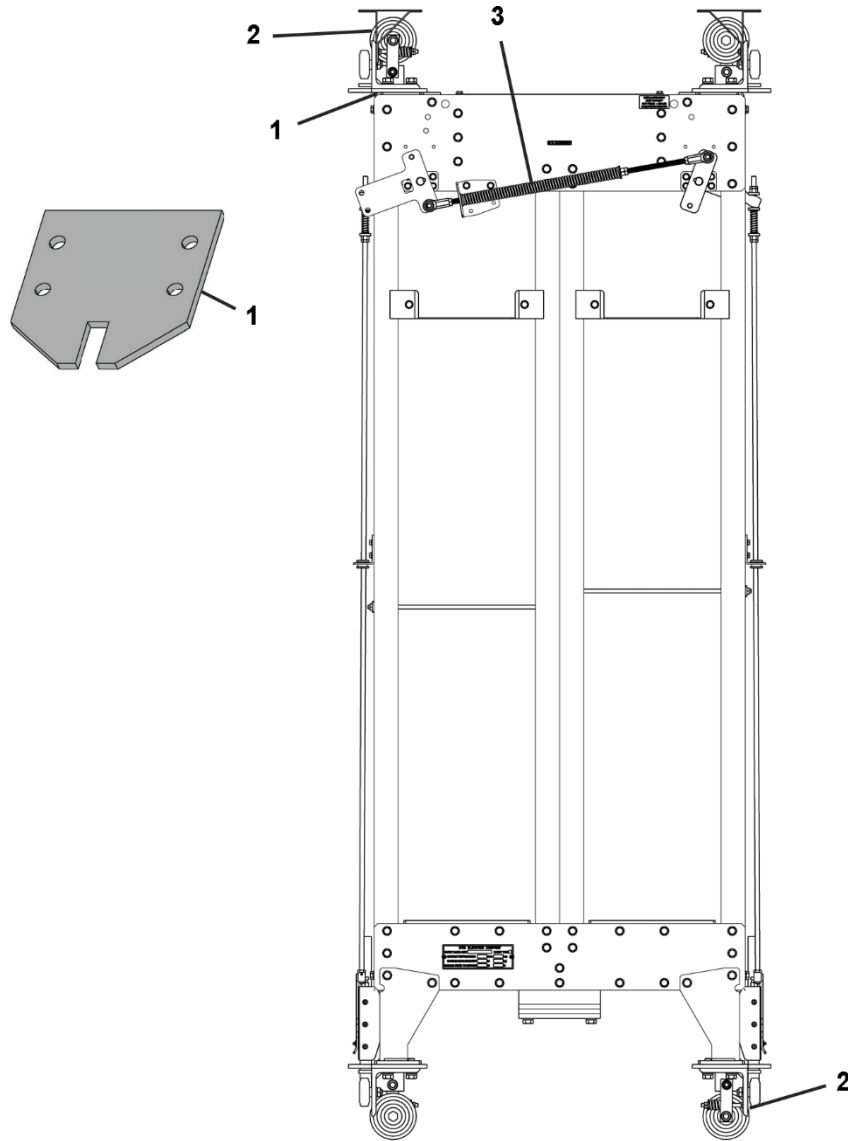
# Gen2 Counterweight Assembly



**16-AAA25700BP**



AAA25700BP		
REF. No.	PART No.	DESCRIPTION
1	---	Assembly Counterweight Safety  SPL 14-KAA24120AAJ (contract specific)
2	---	Assembly, Lever  p. 6
3	---	Assembly, Lever  p. 6
---	---	Assembly, Sheave (not shown)  p. 5
4	334H26	Bushing Insulating
5	AAA346BWB2	Cover, Bottom, Length = 500 mm
6	AAA386PCX1	Cover, Top, Length = 560 mm

Continued on next page.

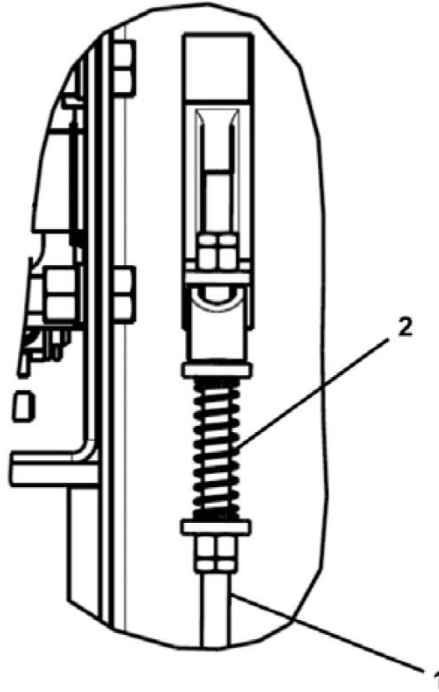


	<b>AAA25700BP</b>	<b>ABA25700BP</b>	
<b>REF. No.</b>	<b>PART No.</b>		<b>DESCRIPTION</b>
1	AAA386LYX5		Plate, Adapter
2	---		Roller Guide Kit, Spring Loaded  SPL 14-KAA25830AAA,  <b>NOTE</b>
3	90JC6	AAA90JL1	Spring, Linkage

**NOTE:** To upgrade roller guide assemblies to spring loaded configuration, see TIP 18.1-8, *Roller Guide Selection and Sizing for Service and Modernization Applications*.

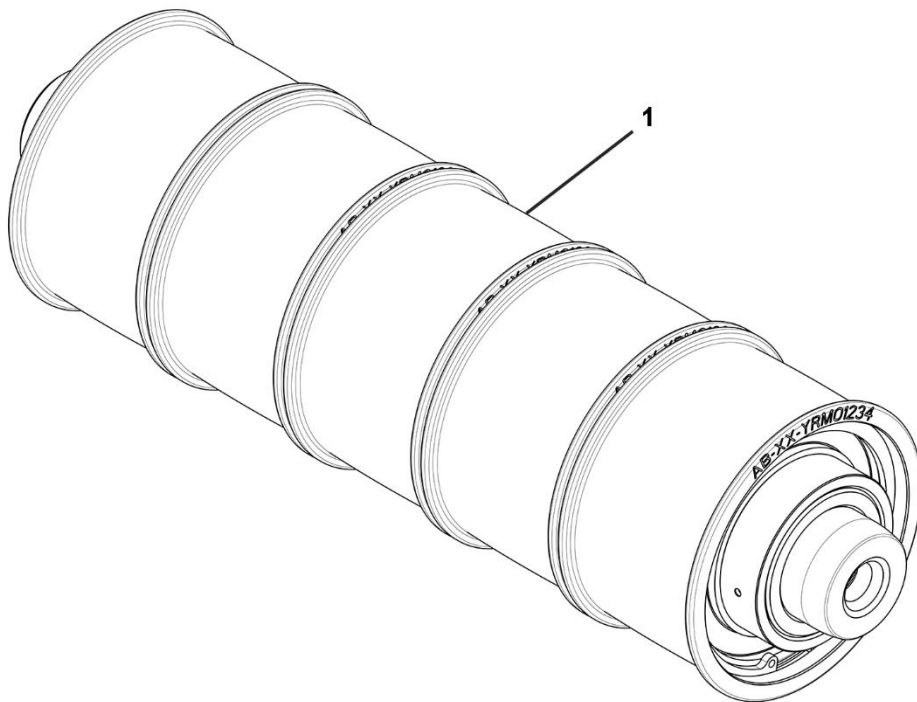
# Safety Lift Rod

**16-AAA25700BP**



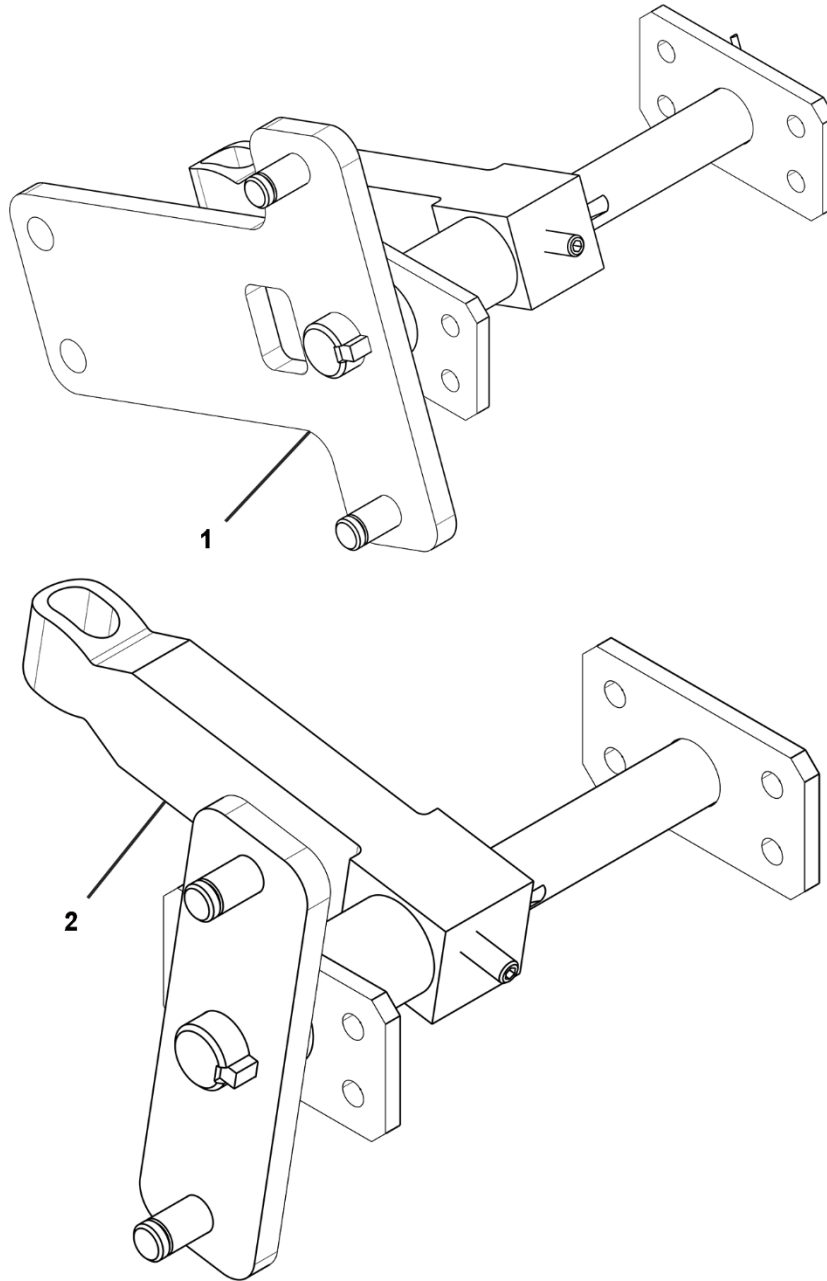
<b>AAA25700BP</b>			
<b>REF. No.</b>	<b>PART No.</b>	<b>LENGTH (in.)</b>	<b>DESCRIPTION</b>
1	AAA96AAA99	86	Rod, Lift, CWFRMHTM = 2415
	AAA96AAA100	92	Rod, Lift, CWFRMHTM = 2585
	AAA96AAA101	102	Rod, Lift, CWFRMHTM = 2840
	AAA96AAA102	118	Rod, Lift, CWFRMHTM = 3225
	AAA96AAA103	131	Rod, Lift, CWFRMHTM = 3558
	AAA96AAA107	133	Rod, Lift, CWFRMHTM = 3604
	AAA96AAA104	140	Rod, Lift, CWFRMHTM = 3794
	AAA96AAA105	144	Rod, Lift, CWFRMHTM = 3885
	AAA96AAA106	149	Rod, Lift, CWFRMHTM = 4028
2	90JB10	2.5	Spring, 11/16 in. diameter

# Sheave Assembly



REF. No.	PART No.	DESCRIPTION
1	AAA20780AS1	Assembly, Sheave, Bearing, Ball

**Lever Assembly**



<b>AAA25700BP</b>		
<b>REF. No.</b>	<b>PART No.</b>	<b>DESCRIPTION</b>
1	AAA307CV1	Assembly, Lever (see <b>NOTE</b> )
2	AAA307CK3	Assembly, Lever (see <b>NOTE</b> )

**NOTE:** Assembly includes one lever, one shaft, one key, and two pins.