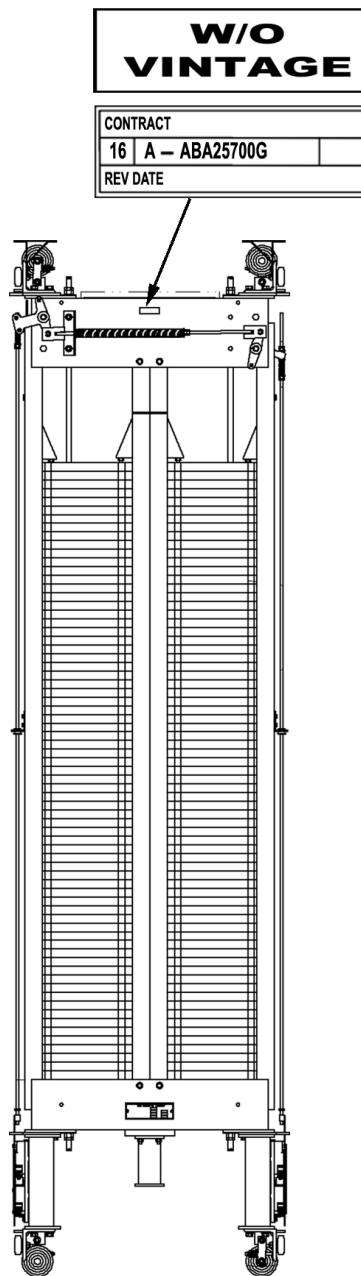


Gen2[®] Counterweight Assembly, 2:1 Roping

Spare Parts Leaflet

16-AAA25700G

April 26, 2023 / Page 1 of 6



OTIS

This document does not contain any
technical data subject to EAR or ITAR

SERVICE ENGINEERING
Otis Elevator Company
Bloomfield, Connecticut USA

Unpublished Work—© Otis Elevator Co.; 2023

Leaflet Description

This SPL provides information on the spare parts available for the counterweight assembly with safeties included. The upper level assembly is AAA25700G. This counterweight assembly is designed for systems roped 2:1.

Leaflet Revisions

Date Revised	Subject Matter Expert	Reason for Revision
September 9, 2009	Gary Mendrala	New SPL
January 22, 2020	Erik Brewer	Updated adapter plate part numbers on p. 4 and sheave assembly part numbers on p. 5
April 26, 2023	Gary Mendrala	Updated level information

Related Drawings

Drawing No.	Title	Drawing No.	Title
AAA25700G	Gen2 Counterweight Assembly	AAA98FS	Connecting Rod
AAA307BL	Lever	ABA25700G	Counterweight Assembly
AAA346BBL	Cover Sheave	ACA25700J	Counterweight Frame Assembly
AAA346BBJ	Cover Top	AAA20780A	Sheave Assembly
334H	Bushing Insulating	AAA20780C	Sheave Assembly

Related Documents

Document ID	Title
16-AAA25700S	Gen2L Counterweight
14-A9672D	Progressive Safety
14-AAA24180AW	Roller Guide, Counterweight
14-KAA25830AAA	Roller Guide, Counterweight (spring loaded)

Subject Matter Expert

Name	Department
Gary Mendrala	OSC Service Engineering

About Spare Parts Leaflets...

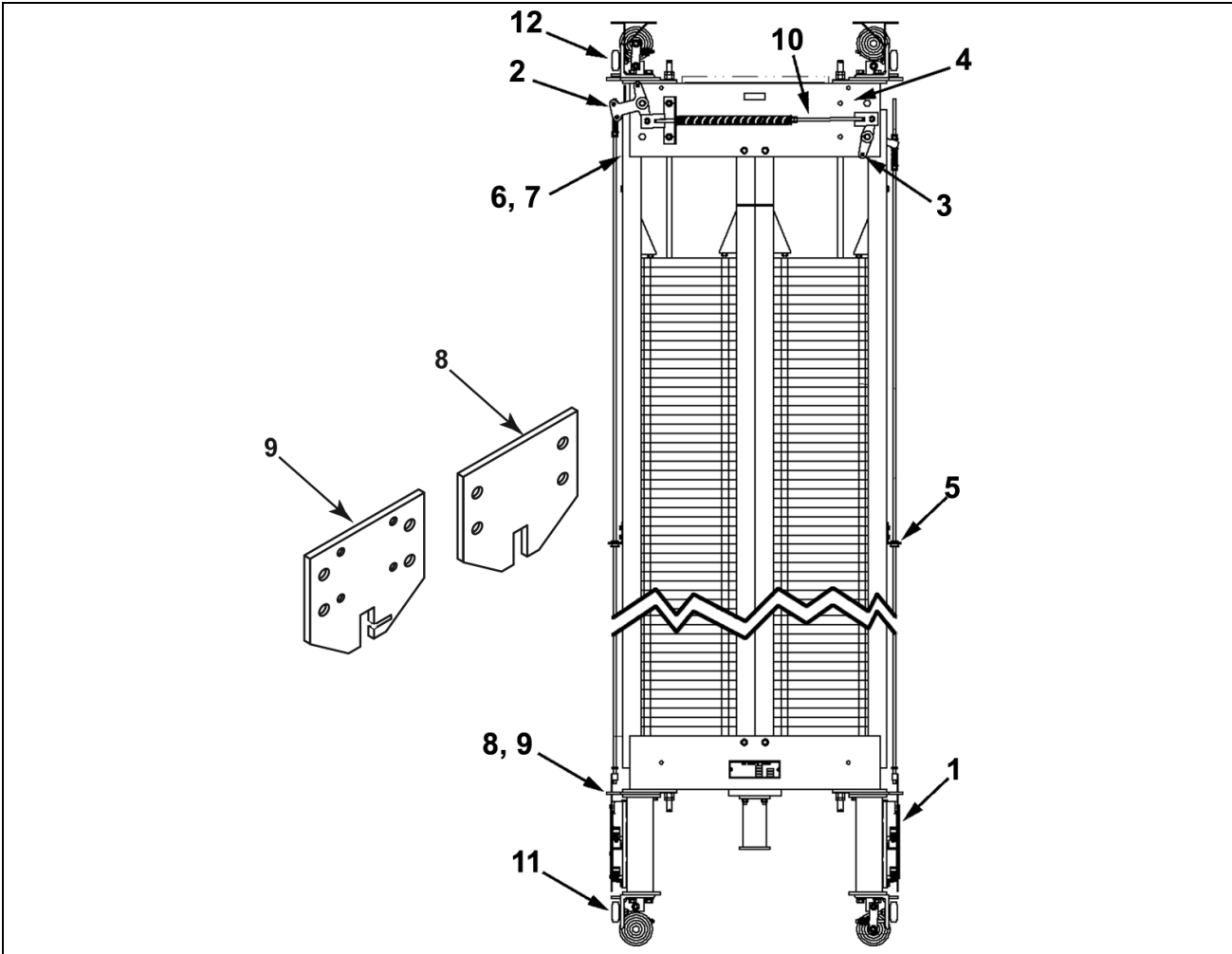
This document lists the lowest replaceable units (LRUs) for the standard version of the product. The LRUs are chosen by a team of Otis associates representing engineering and manufacturing.

While goal of this document is to make parts identification as easy as possible, the document cannot be all-inclusive. Elevator and escalator contracts classified as "special" or "custom" are not addressed here. For such contracts, please refer to specified information, the contract folder, TIPs, Field Education Articles, Construction Letters, etc. for further information.



If you have any suggestions about this document, please contact the subject matter expert listed on this page.

Gen2 Counterweight Assembly

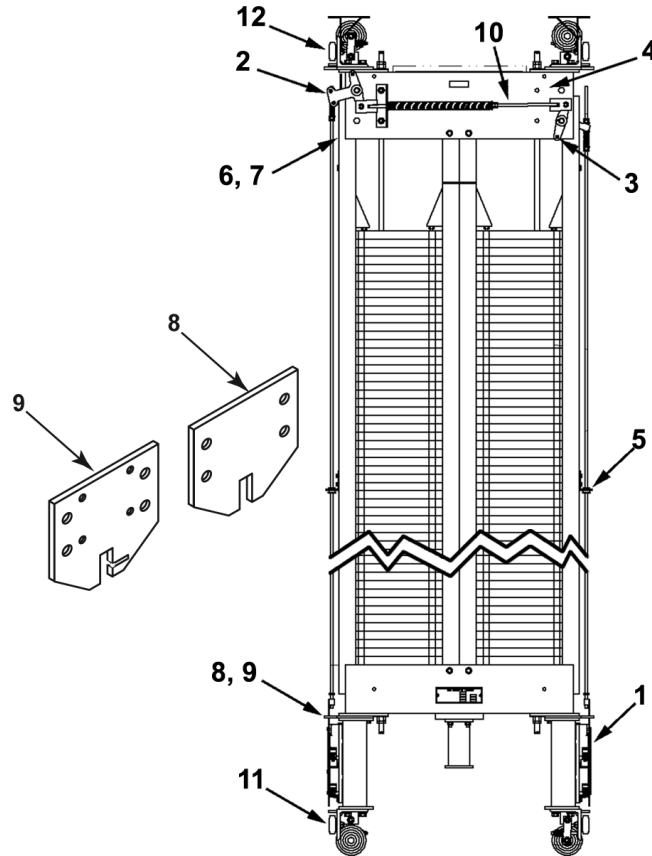
16-AAA25700G



**W/O VINTAGE
& ABA25700G**

REF. No.	PART No.	DESCRIPTION
1	AAA25750J	Assembly, Counterweight Safety  SPL 14-A9672D (contract specific)
2	See p. 6	Assembly, Lever, Governor Attachment Location
3	See p. 6	Assembly, Lever
4	---	Assembly, Sheave  Page 5
5	334H26	Bushing, Insulating
6	AAA346BBL3	Cover, Bottom, Length = 347 mm
	AAA346BBL4	Cover, Bottom, Length = 500 mm
7	AAA346BBJ1	Cover, Top, Length = 377 mm
	AAA346BBJ2	Cover, Top, Length = 530 mm

Continued on next page.



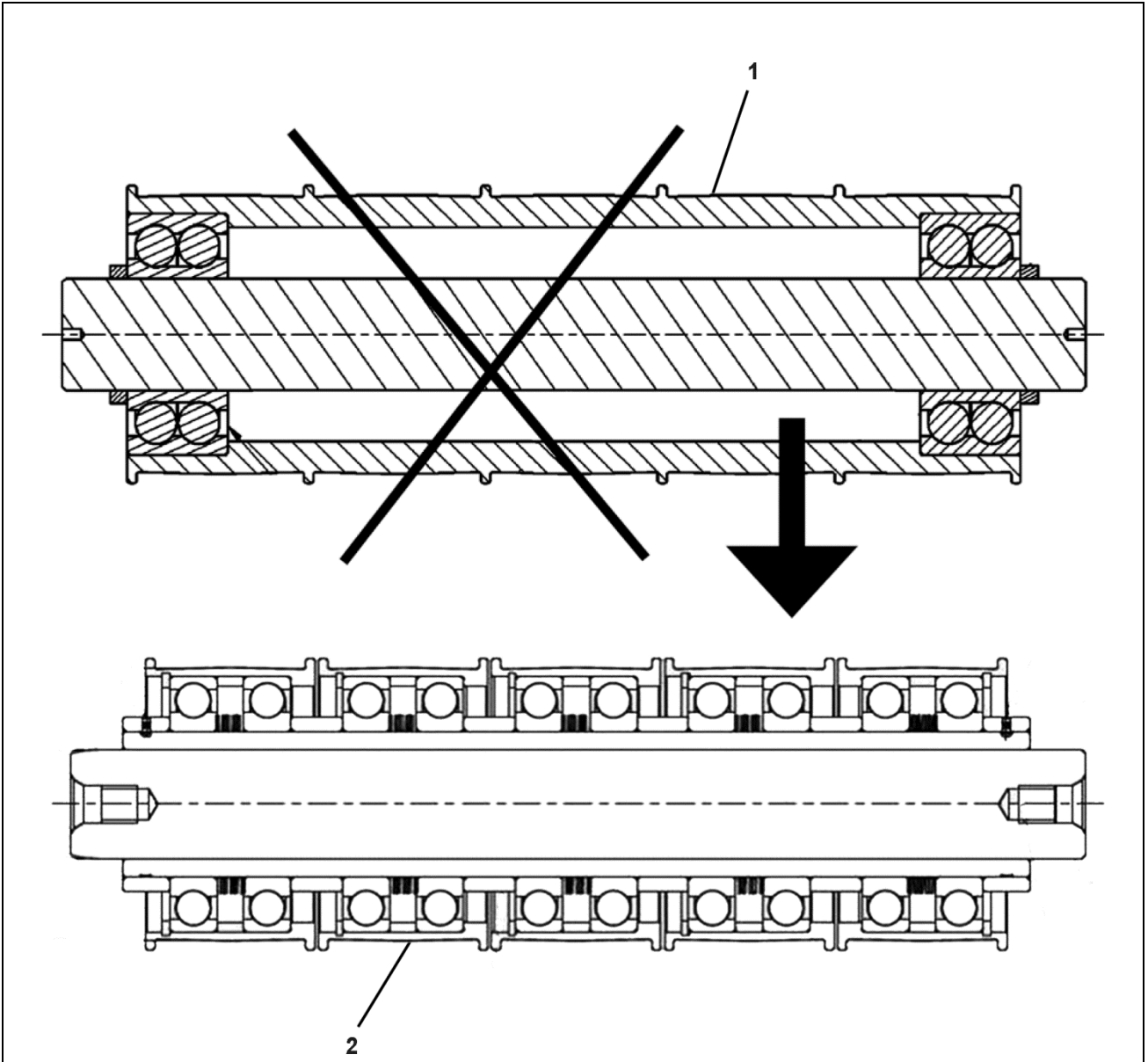
W/O VINTAGE & ABA25700G		
REF. No.	PART No.	DESCRIPTION
8	AAA386LYX4 AAA386LYX5	Plate, Adapter, Counterweight W/O Safety
9	AAA386LYX3 AAA386LYX6	Plate, Adapter, Counterweight with Safety
10	AAA98FS3	Rod, Connecting (assembly with spring)
11	AAA24180AW8	Roller Guide, Bottom SPL 14-AAA24180AW
	KAA25830AAA2	Roller Guide, Bottom, Spring Loaded SPL 14-KAA25830AAA (see NOTE)
12	AAA24180AW7	Roller Guide, Top SPL 14-AAA24180AW
	KAA25830AAA1	Roller Guide, Top, Spring Loaded SPL 14-KAA25830AAA (see NOTE)
*	KAA25830AAA3	Roller Guide Kit (includes two upper roller guides, two lower roller guides, fastener kit)

NOTE: To upgrade roller guide assemblies to spring loaded configuration, also order adapter plate.

* Roller guide kit includes references 11 and 12.

Sheave Assembly

16-AAA25700G



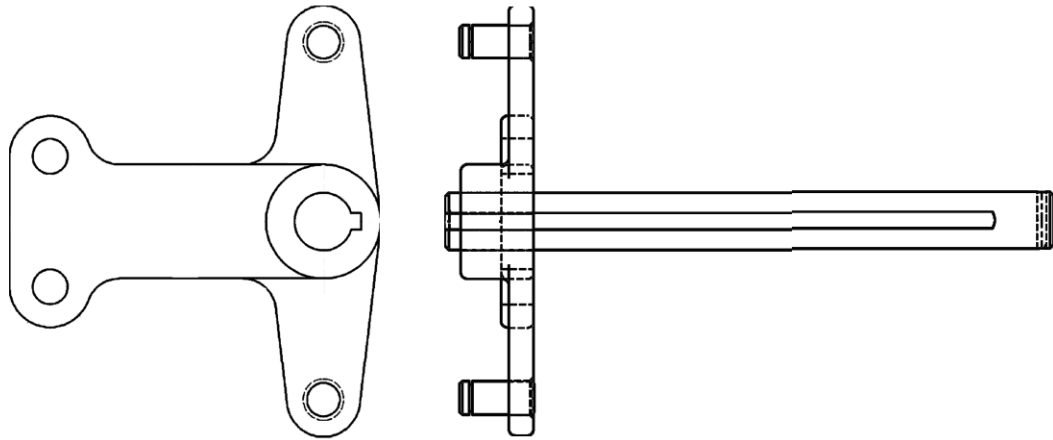
REF. No.	W/O VINTAGE	ABA25700G	DESCRIPTION
	PART No.		
1	AAA20780C2 AAA20780C5 AAA20780AS1	---	Assembly, Sheave, Ball Bearing (see NOTE)
2	---	AAA20780C5 AAA20780AS1	Assembly, Sheave, Ball Bearing (see NOTE)

NOTE: Assembly includes one sheave, one shaft, and two spacers.

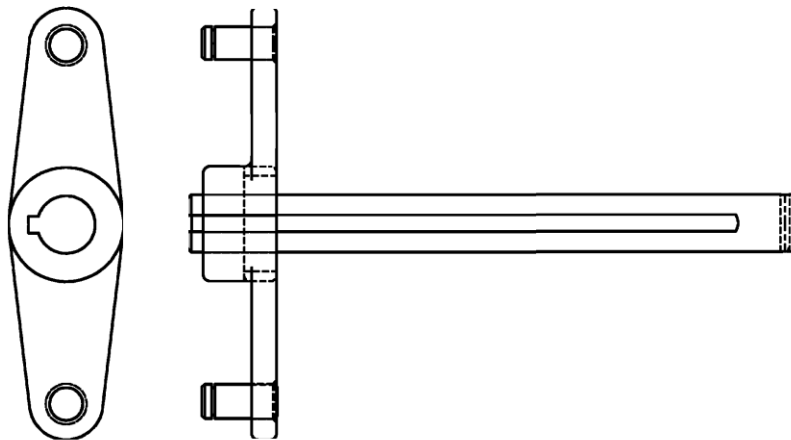
16-AAA25700G

Lever Assembly

1



2



**W/O VINTAGE
& ABA25700G**

REF. No.	PART No.	DESCRIPTION
1	AAA307BL3	Assembly, Lever (see NOTE)
2	AAA307BL4	Assembly, Lever (see NOTE)

NOTE: Assembly includes one lever, one shaft, one key, and two pins.