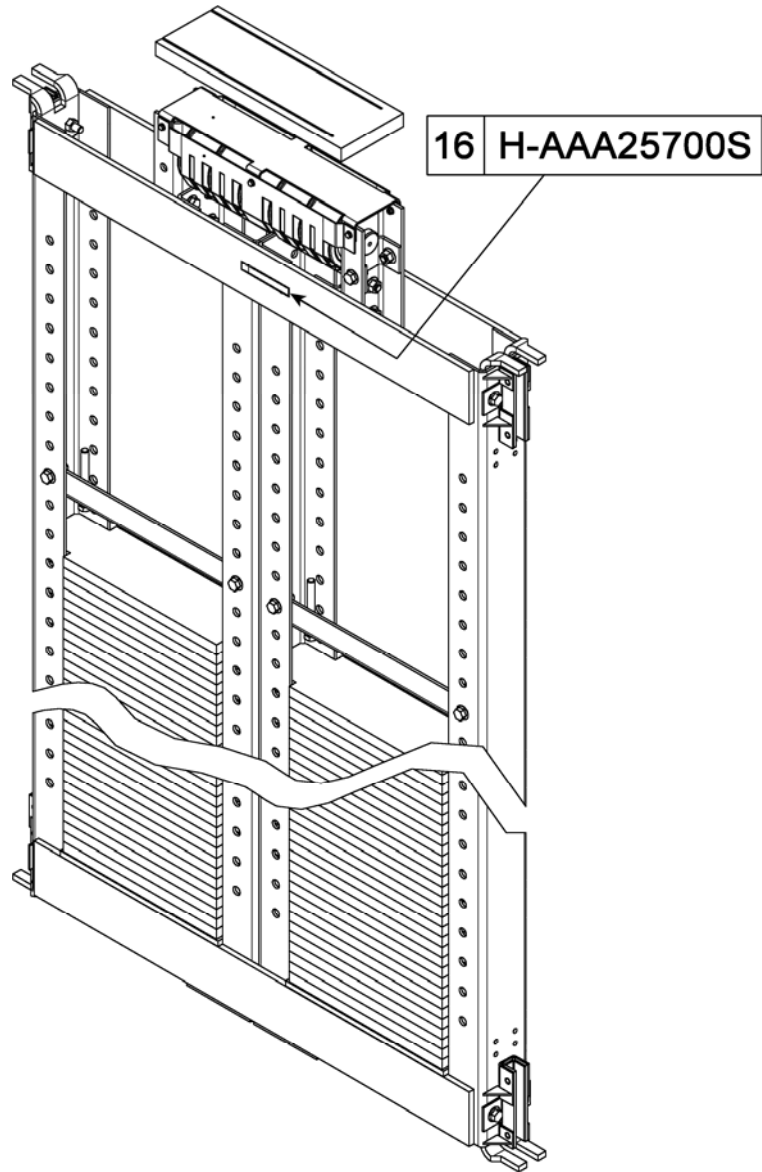


Gen2L Counterweight

Spare Parts Leaflet

16-AAA25700S

November 23, 2011 / Page 1 of 3



Unpublished Work—© Otis Elevator Co.; 2011



Safety First!

SERVICE ENGINEERING
Otis Elevator Company
Bloomfield, Connecticut USA

Leaflet Description

This SPL lists replaceable parts in type AAA25700S counterweight used in Gen2L.

Leaflet Revisions

Date Revised	Subject Matter Expert	Reason for Revision
December 22, 2008	Anying Shen	New SPL
October 26, 2011	Al Feitl	Changed part number on p. 3, ref. 2
November 23, 2011	Al Feitl	Added p/n AAA283AXJ1 on p. 3

Related Drawings

Drawing No.	Title	Drawing No.	Title
AAA25700S	Counterweight Assembly	AAA24179F	Guide Shoe Assembly

Related Documents

Document ID	Title
SPL 14-AAA24179F	Gen2L Counterweight Sliding Guides

Subject Matter Expert

Name	Department
Gary Mendrala	OSC Service Engineering

About Spare Parts Leaflets...

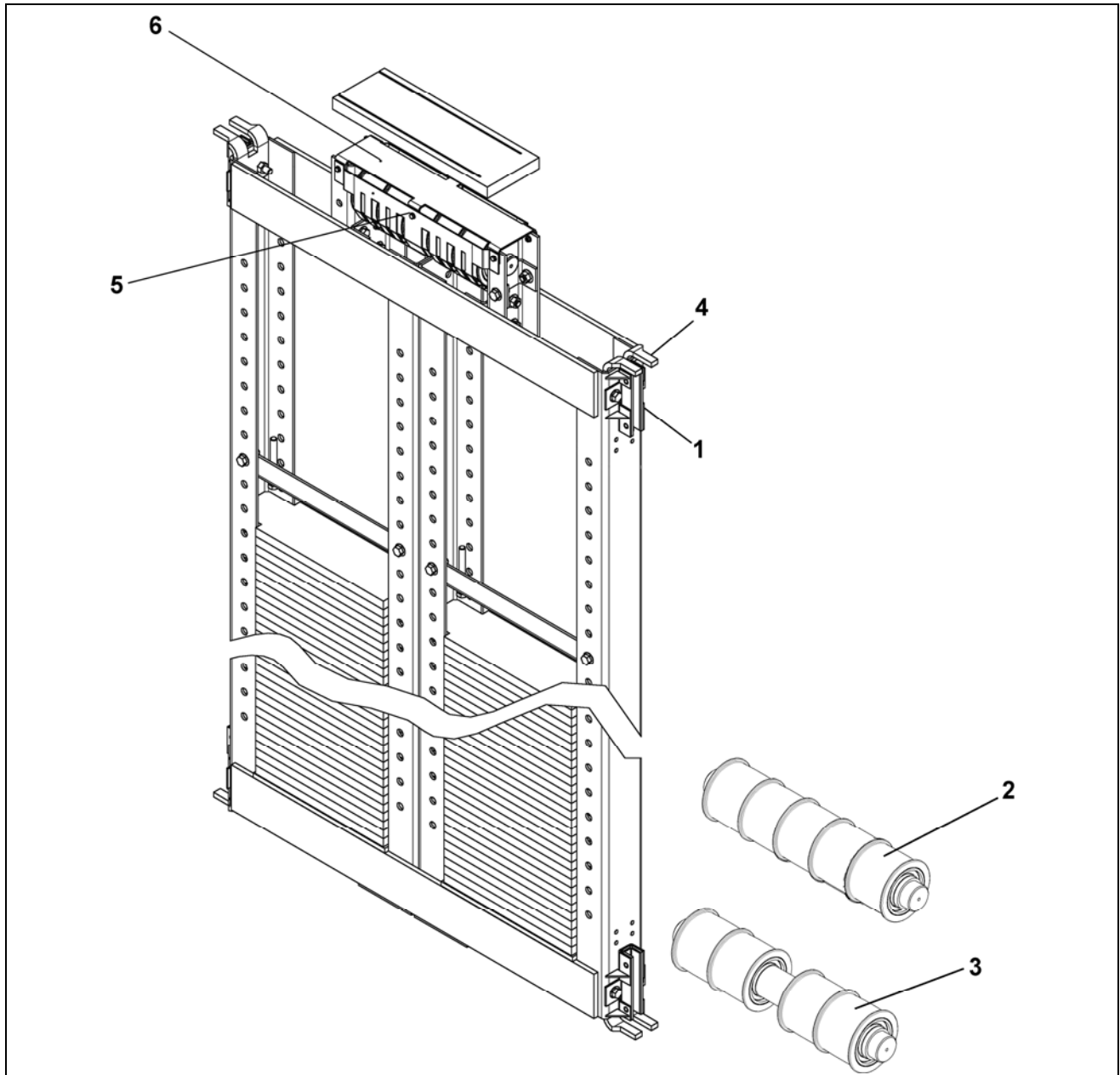
This document lists the lowest replaceable units (LRUs) for the standard version of the product. The LRUs are chosen by a team of Otis associates representing engineering and manufacturing.

While goal of this document is to make parts identification as easy as possible, the document cannot be all-inclusive. Elevator and escalator contracts classified as "special" or "custom" are not addressed here. For such contracts, please refer to specified information, the contract folder, TIPs, Field Education Articles, Construction Letters, etc. for further information.

If you have any suggestions about this document, please contact the subject matter expert listed on this page.

Counterweight Assembly

16-AAA25700S



W/O VINTAGE		
REF. No.	PART No.	DESCRIPTION
1	---	Assembly, Guide Shoe, Type AAA24179F, See SPL 14-AAA24179F
2	AAA20780P6	Assembly, Sheave, 32kN Belt, 5 Grooves
3	AAA20780J2	Assembly, Sheave, 64kN Belt
4	AAA283AXJ1	Bracket, Seismic
5	AAA384AMX1	Guard, Sheave, Bottom, 32kN Belt
	AAA384AMX2	Guard, Sheave, Bottom, 64kN Belt
6	AAA384AMW1	Guard, Sheave, Top, 32kN Belt
	AAA384AMW2	Guard, Sheave, Top, 64kN Belt