

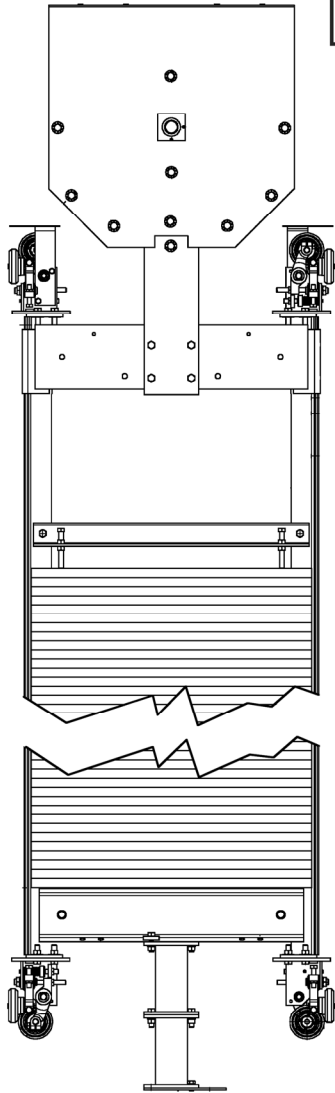
# Counterweight Assembly, 6 in. Uprights

Spare Parts Leaflet

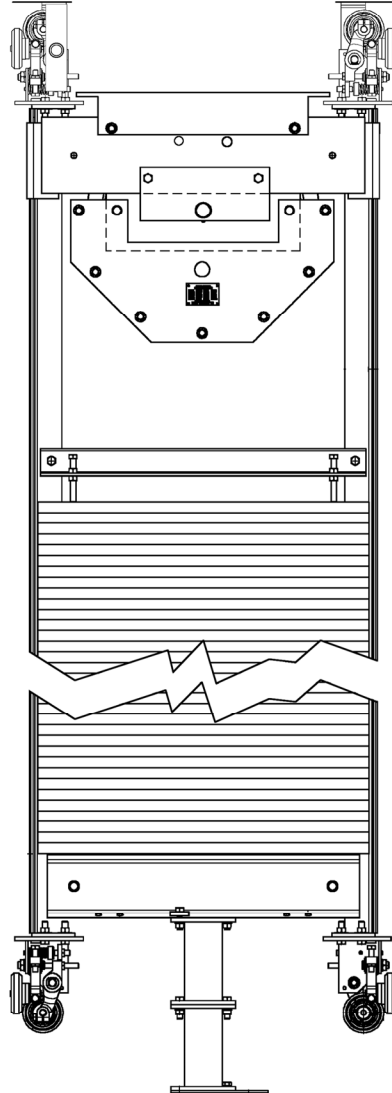
16-AAA6055DR

July 7, 2010 / Page 1 of 7

W/O  
VINTAGE



Counterweight  
with Type 1 Sheave



Counterweight  
with Type 2 Sheave

**OTIS**

Safety First!

**SERVICE ENGINEERING**  
Otis Elevator Company  
Bloomfield, Connecticut USA

**Leaflet Description**

This counterweight assembly can be arranged with the sheave assembly either hung or below. It is equipped with a seismic displacement detector (see SPL number below) and may or may not include chain compensation.

**Leaflet Revisions**

<b>Date Revised</b>	<b>Subject Matter Expert</b>	<b>Reason for Revision</b>
November 2, 2005	Sean Mismas	New SPL
July 7, 2010	Gary Mendrala	Added guards pp 6 and 7

**Related Drawings**

<b>Drawing No.</b>	<b>Title</b>
AAA6055DR	Assembly and Arrangement Counterweight, 6" Upright

**Related Documents**

<b>Document ID</b>	<b>Title</b>
SPL 11-AAA712P/Q/R	Wire Rope, Shackles & Springs
SPL 14-AAA24120F	Flexible Guide Clamp Safeties
SPL 14-6261P	3-3/4 inch Roller Guide
SPL 14-KAA25830B	76 mm Roller Guide
SPL 16-AAA24800F	Counterweight Chain Hitch
SPL 16-AAA25800H	Counterweight Wood Blocking
SPL 16-AAA22000AAA	Counterweight, Displacement Detector
SPL 16-AAA25870G	2:1 Counterweight Sheave Assembly

**Subject Matter Expert**

<b>Name</b>	<b>Department</b>
Gary Mendrala	OSC Service Engineering

**About Spare Parts Leaflets...**

This document lists the lowest replaceable units (LRUs) for the standard version of the product. The LRUs are chosen by a team of Otis associates representing engineering and manufacturing.

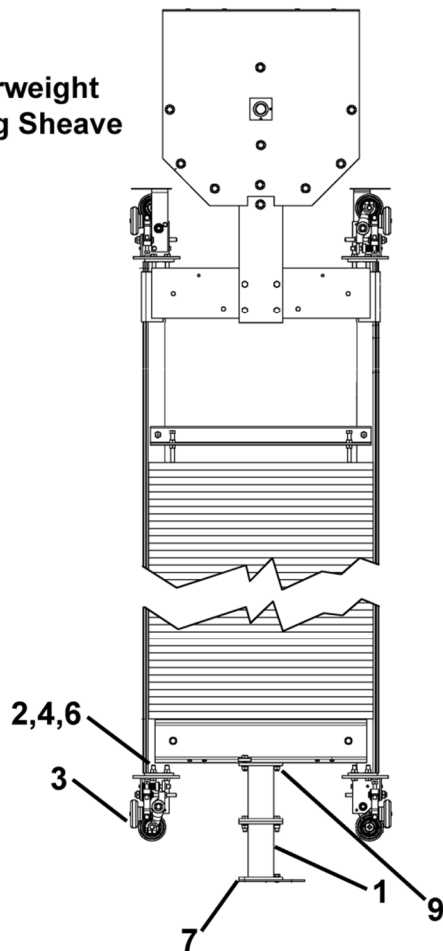
While goal of this document is to make parts identification as easy as possible, the document cannot be all-inclusive. Elevator and escalator contracts classified as "special" or "custom" are not addressed here. For such contracts, please refer to specified information, the contract folder, TIPs, Field Education Articles, Construction Letters, etc. for further information.

If you have any suggestions about this document, please contact the subject matter expert listed on this page.

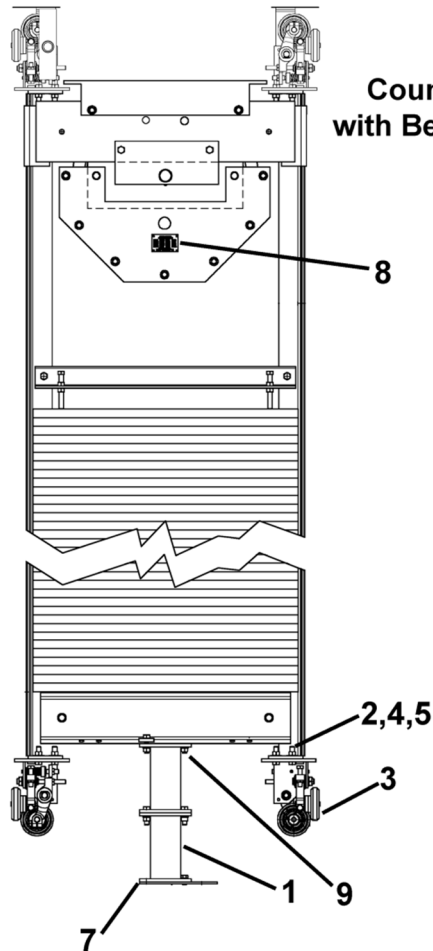
# Counterweight Parts

**16-AAA6055DR**

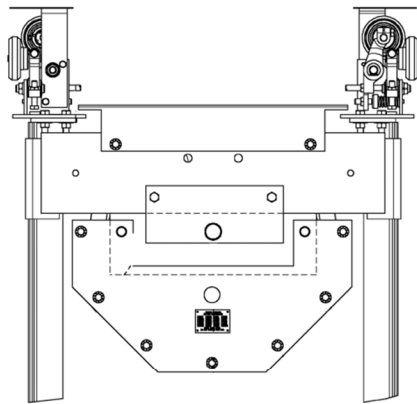
Counterweight  
with Hung Sheave



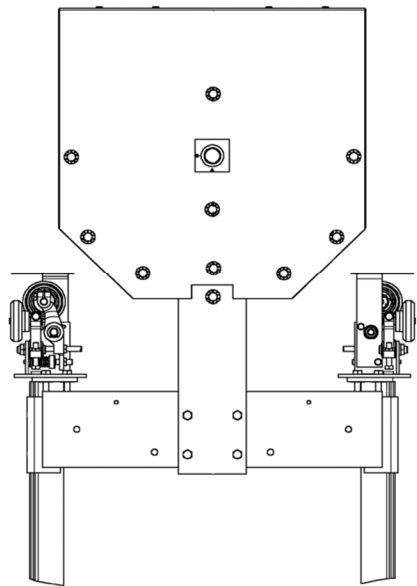
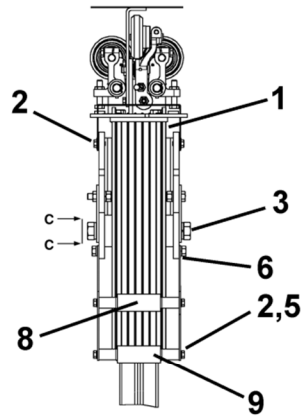
Counterweight  
with Below Sheave



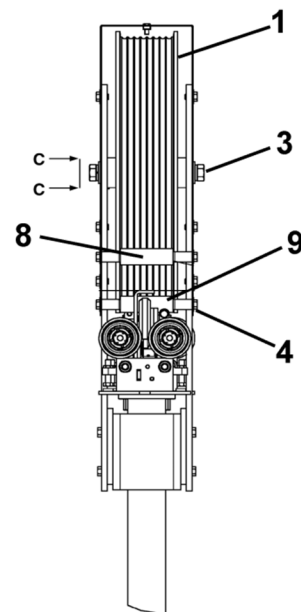
W/O VINTAGE		
REF. No.	PART No.	DESCRIPTION
1	471EP1	Blocking, Buffer, 8 in. H
2	---	Bolt, Hex, 1/2-13 x 1-3/4 in. L
---	---	Detector, Seismic Displacement (not shown), 👁 SPL 16-AAA22000AAA
3	---	Guide Shoe, Roller, 4-7/8 in. Roller, Type _6261P, 👁 SPL 14-6261P
	---	Guide Shoe, Roller, 76 mm Roller, Type KAA25830B, 👁 SPL 14-KAA25830B
4	130J11	Lockwasher, Internal/External (for 1/2 in. bolt, <b>W</b> → hung counterweight)
5	130J4	Lockwasher, Internal/External (for 3/8 in. bolt, <b>W</b> → below counterweight)
6	--	Nut, Hex, 1/2-13
7	AAA386LGH1	Plate
8	102FH1	Plate, Data
9	131A1	Washer, Bevel, 1/2 in. (special)



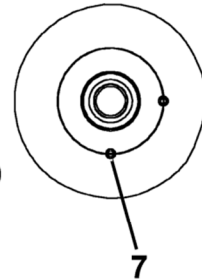
Counterweight with "Below" Sheave


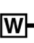
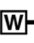
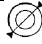


Counterweight with "Hung" Sheave



View C-C



W/O VINTAGE		
REF. No.	PART No.	DESCRIPTION
1	---	Assembly, Sheave, Type AAA25870G,  SPL 16-AAA25870G
2	---	Bolt, Hex, 3/8-16 x 3/4 in. L
3	---	Bolt, Hex, 7/8-9 x 1-3/4 in. L
4	130J11	Lockwasher, Internal/External (for 1/2 in. bolt,  hung counterweight)
5	130J4	Lockwasher, Internal/External (for 3/8 in. bolt,  below counterweight)
6	---	Lockwasher, Spring, 7/8 in.
7	78A1	Pin, Spring, 0.688 in. L, 0.25 in. 
8	---	Retainer, Rope (see Table 1, p. 5)
9	---	Retainer, Rope (see Table 2, p. 5)

# Rope Retainer Table

**16-AAA6055DR**

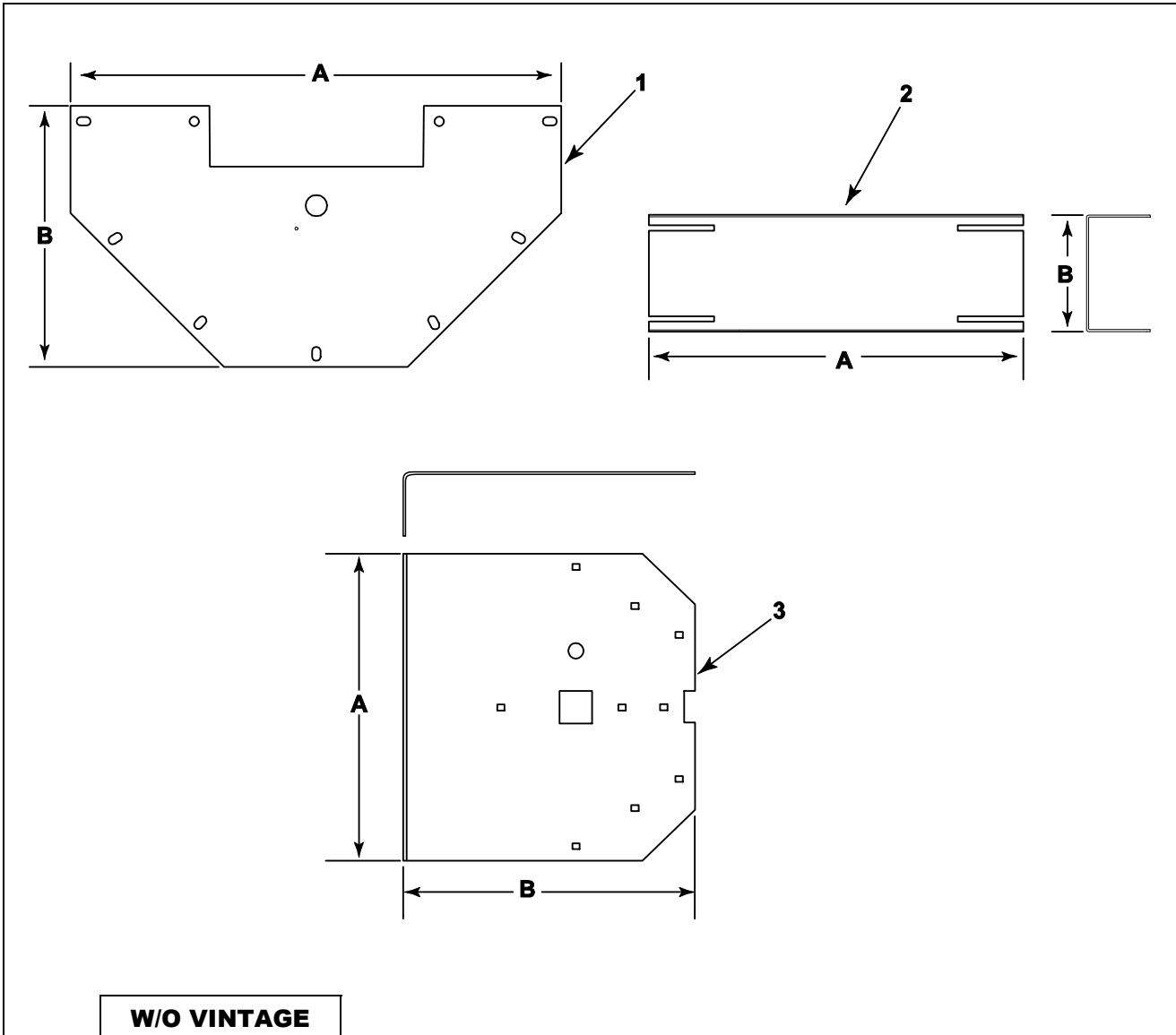
**TABLE 1**

<b>W/O VINTAGE</b>			
<b>HITCH ARR.</b>	<b>PART No.</b>	<b>ROPE RETAINER DESCRIPTION</b>	<b>REMARKS</b>
Below	384PX45	For 20.5 in. Dia. Sheave w/4 Ropes	---
		For 20.5 in. Dia. Sheave w/5 Ropes	
		For 20.5 in. Dia. Sheave w/6 Ropes	
		For 22.0 in. Dia. Sheave w/6 Ropes	
		For 25.0 in. Dia. Sheave w/4 Ropes	
		For 25.0 in. Dia. Sheave w/5 Ropes	
		For 25.0 in. Dia. Sheave w/6 Ropes	
		For 28.0 in. Dia. Sheave w/4 Ropes	
		For 28.0 in. Dia. Sheave w/5 Ropes	
		For 28.0 in. Dia. Sheave w/6 Ropes	
	384PX47	For 22.0 in. Dia. Sheave w/4 Ropes	
		For 22.0 in. Dia. Sheave w/5 Ropes	
	384PX64	For 25.0 in. Dia. Sheave w/7 Ropes	
Hung	384PX7	For 25.0 in. Dia. Sheave w/4 Ropes	Strap Mount Inside Crosshead
		For 25.0 in. Dia. Sheave w/5 Ropes	
		For 25.0 in. Dia. Sheave w/6 Ropes	
		For 28.0 in. Dia. Sheave w/4 Ropes	
		For 28.0 in. Dia. Sheave w/5 Ropes	
		For 28.0 in. Dia. Sheave w/6 Ropes	
	384PX3	For 25.0 in. Dia. Sheave w/7 Ropes	Strap Mount Outside Crosshead
		For 25.0 in. Dia. Sheave w/8 Ropes	

**TABLE 2**

<b>W/O VINTAGE</b>			
<b>HITCH ARR.</b>	<b>PART No.</b>	<b>ROPE RETAINER DESCRIPTION</b>	<b>REMARKS</b>
Hung	384PX48	Strap Mount Inside Crosshead	---
	384PX5	Strap Mount Outside Crosshead	---

**Guards, Counterweight with  
Below Sheave**

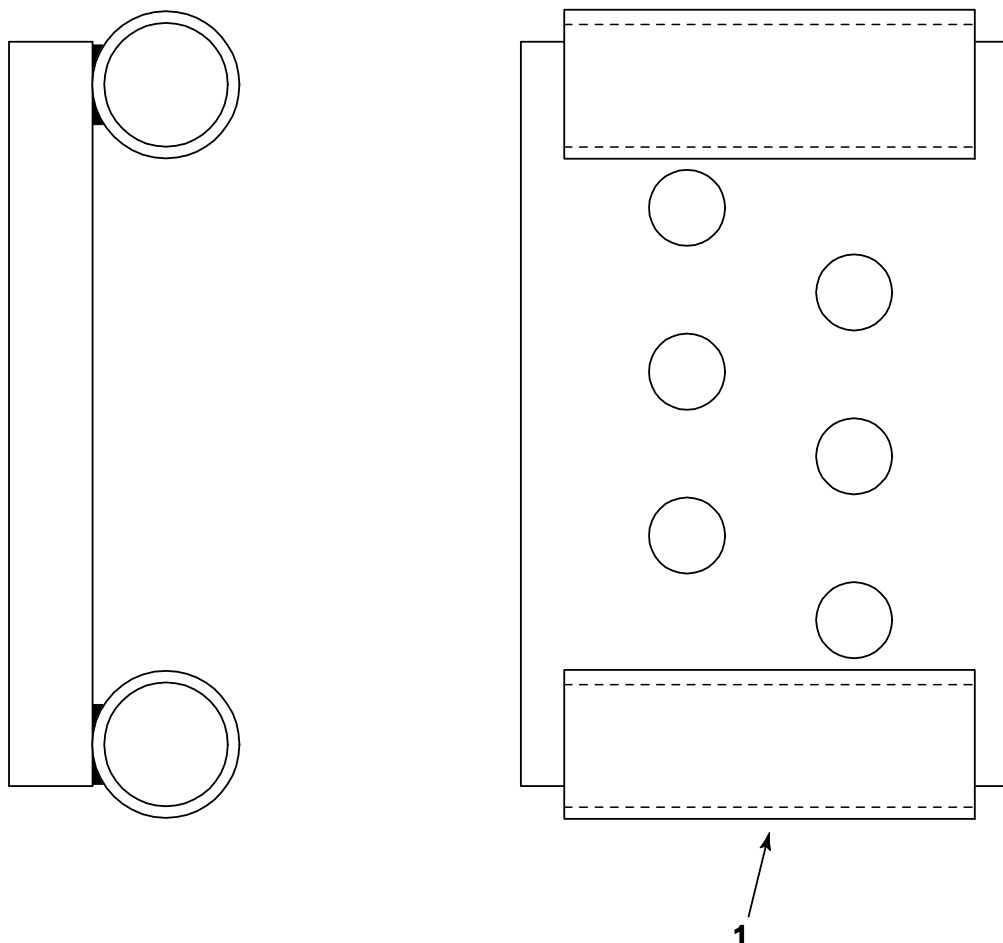


W/O VINTAGE						
REF. NO	PART NO.	DESCRIPTION	SHEAVE DIA. (in.)	DIM. A (in.)	DIM. B (in.)	TYPE (see NOTE)
1	AAA386LHF2	Guard	25.0	29.0	15.50	2
	AAA386LHF3		22.0	26.0	14.00	2
	AAA386LHF4		20.5	24.4	13.30	2
2	AAA00384AAC001	Top Guard	20.5	22.0	7.12	2
	AAA00384AAC005		22.0	25.0	7.12	2
	AAA00384AAC010		25.0	28.0	7.12	2
3	AAA384XR6	Guard	25.0	30.0	26.75	1
	AAA384XR7		28.0	33.0	29.75	1

**NOTE:** Reference page 1 for counterweight type.

# Hitch Plate, Counterweight

**16-AAA6055DR**



		<b>W/O VINTAGE</b>
<b>REF. No.</b>	<b>PART No.</b>	<b>DESCRIPTION</b>
1	386BFE12	Hitch Plate, Counterweight, 5 Ropes
	386BFE13	Hitch Plate, Counterweight, 6 Ropes