

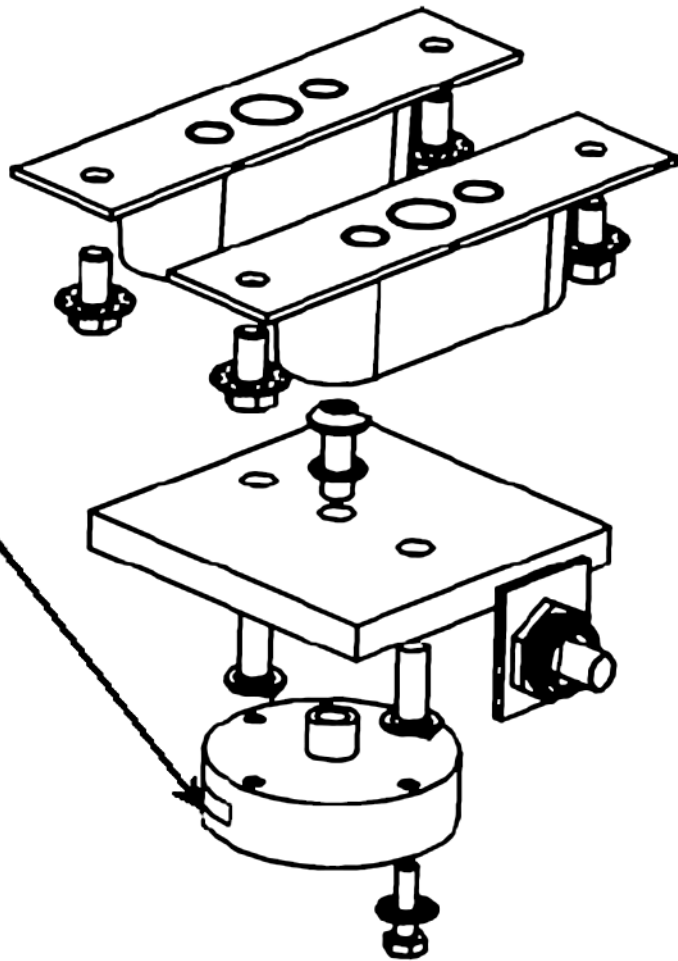
**Loadweighing
Transducer Assemblies
Elevonic® 101/401**

Spare Parts Leaflet

17-6183CD

June 5, 2007 / Page 1 of 4

| | | |
|-------------|--------|------|
| W/O VINTAGE | | |
| 17 | 6183CD | |
| | | Y 01 |
| REV | | EN |



OTIS

Safety First!

SERVICE ENGINEERING
Otis Elevator Company
Bloomfield, Connecticut USA

Leaflet Description

This leaflet was originally created for the loadweighing transducer for Elevonic® 101/401. The transducer / isolation arrangements shown in this leaflet have since come to be used on a wide variety of elevator products, including most recently, the Gen2 systems for NSAA.

Leaflet Revisions

| Date Revised | Subject Matter Expert | Reason for Revision |
|---------------------|------------------------------|---|
| March 1999 | Troy Chicoine | New Leaflet |
| June 24, 2005 | Troy Chicoine | Updated part numbers on p. 3 |
| June 5, 2007 | Troy Chicoine | Add arrangement info for clarification and isolation blocks |

Related Drawings

| Drawing No. | Title | Drawing No. | Title |
|--------------------|---|--------------------|---|
| 6183CD | Loadweighing Transducer Elevonic 101/401 | AAA24270F | Assembly, Load Cell and Sound Isolation Pad |
| AAA24270D | Assembly, Transducer and Sound Isolation Pads | | |

Related Documents

| Document ID | Title |
|--------------------|------------------------------------|
| SPL 14-6183AE | Platform Sound Isolation |
| SPL 17-AAA24270D | Loadweighing Transducer Assemblies |
| SPL 17-AAA24270F | Loadweighing Transducer Assemblies |

Subject Matter Expert

| Name | Department |
|---------------|-------------------------|
| Troy Chicoine | OSC Service Engineering |

About Spare Parts Leaflets...

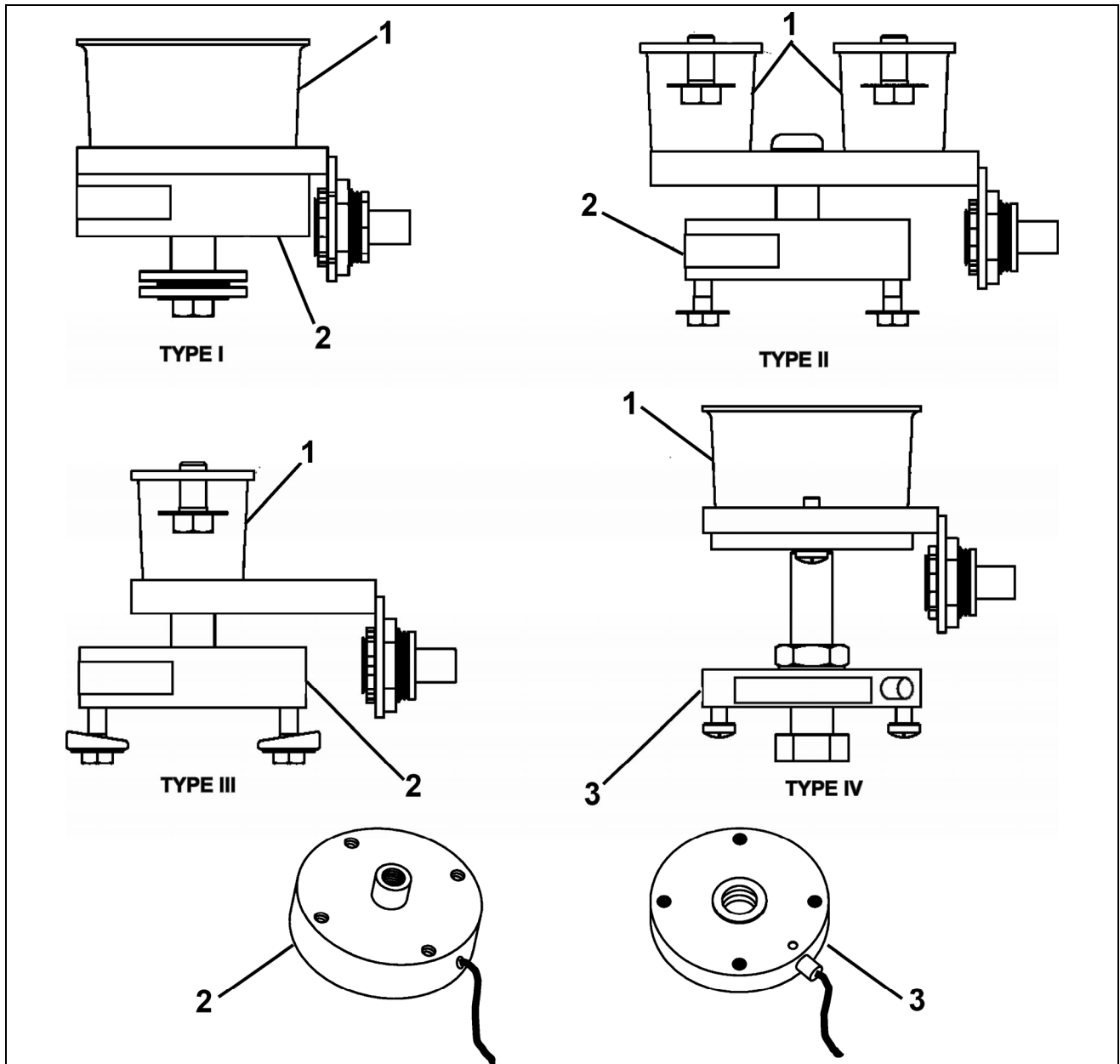
This document lists the lowest replaceable units (LRUs) for the standard version of the product. The LRUs are chosen by a team of Otis associates representing engineering and manufacturing.

While goal of this document is to make parts identification as easy as possible, the document cannot be all-inclusive. Elevator and escalator contracts classified as “special” or “custom” are not addressed here. For such contracts, please refer to specified information, the contract folder, TIPs, Field Education Articles, Construction Letters, etc. for further information.

If you have any suggestions about this document, please contact the subject matter expert listed on this page.

6183CD Loadweighing Types

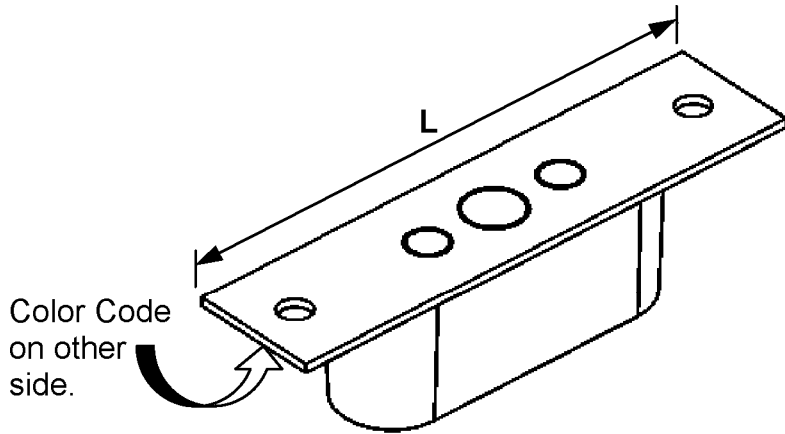
17-6183CD



| W/O VINTAGE & 6183CD | | | | | |
|----------------------|----------------|------------------------------------|------------|-----------|-------------|
| REF. No. | PART No. | DESCRIPTION | TYPE | THICKNESS | RANGE (LB.) |
| 1 | --- | Block, Sound Isolation, See Page 4 | --- | --- | |
| 2 | 622D2 622D4 | Transducer | I, II, III | 0.88 | 0-2000 |
| | 622D3 | | --- | | 0-1000 |
| 3 | 622D6 | | IV | 0.60 | 0-2000 |

Sound Isolation Pads

17-6183CD



NOTE: For other sound isolation blocks, refer to SPL 14-6183AE.

| | | W/O VINTAGE & 6183CD | | |
|-----------------|-----------------|---------------------------------|-------------------|---------------|
| REF. No. | PART No. | DESCRIPTION | COLOR CODE | L (in) |
| 1 | A310JF1 | Block, Isolation | Green | 6.5 |
| | A310JF2 | | Yellow | |
| | A310JF3 | | Red | |
| | A310HD1 | | Green | 8.5 |
| | A310HD2 | | Yellow | |
| | A310HD3 | | Red | |
| 2 | 310KS1 | | Brown | 7.24 |
| | 310KS2 | | Gray | |
| | 310KS3 | | White | |
| | 310KS4 | | Green | |
| | 310KS5 | | Yellow | |
| | 310KS6 | | Red | |