

**Cab Assembly
w/7777A/G/H Operator
or GAL Operator**

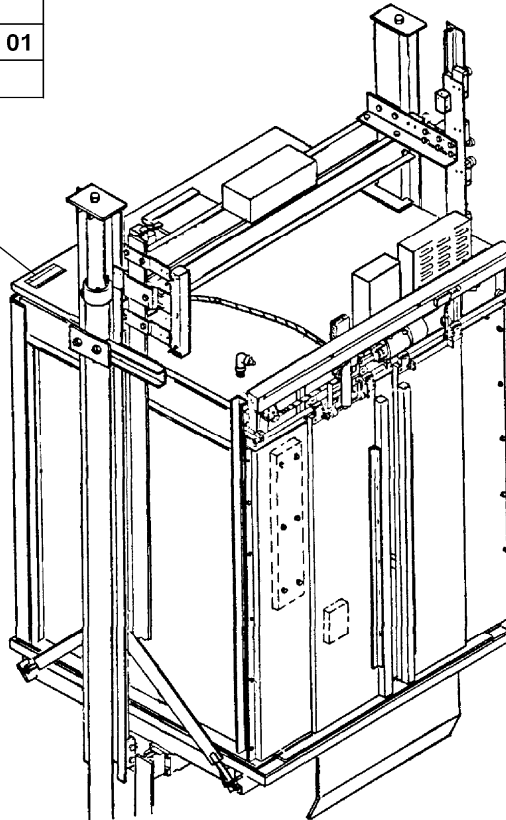
Spare Parts Leaflet

17-6193MJ

May 26, 2010 / Page 1 of 14

17	6193MJ	
Y	VINTAGE	Y 01
REV		EN

17	6193MK	
Y	VINTAGE	Y 01
REV		EN



OTIS

Safety First!

SERVICE ENGINEERING
Otis Elevator Company
Bloomfield, Connecticut USA

Leaflet Description

This leaflet describes spare parts available for 17-6193MJ and MK cab assemblies that use either the 7777A/G/H operator or GAL operator.

Leaflet Revisions

Date Revised	Subject Matter Expert	Reason for Revision
March 1986	Burt Greenfield	New SPL
January 1988	Val Minnes	Correct p/n Info for Pad Hook
January 1, 2001	Jeffery Smith	Update Bayonet Lamp p/n
September 15, 2009	Troy Chicoine	Added DC-22 decorative ceiling and cab steadier.
May 26, 2010	Troy Chicoine	Corrected part number in ref. 8 on p. 13

Related Drawings

Drawing No.	Title	Drawing No.	Title
6193MJ	Assembly, Car, Center Opening Doors	A6193MJ	Assembly, Car, Center Opening Doors
6193MK	Assembly, Car, Center Opening Doors	A6193MK	Assembly, Car, Single Slide Doors

Related Documents

Document ID	Title
SPL C-3049	Door Operator, Type: 7777A Center-Opening 42 in., A7777A Center-Opening 42 in., A7777G Single-Slide 42 in., A7777H Single-Slide 36 in.
SPL C-3077	GAL Door Operator, Type: "MODL"
SPL 05-6098	Switch, Mechanical 6098
SPL 12-A7003AV	Inductor Switch Assembly
SPL 14-6161AB	Sliding Guide Shoe Assembly Type 6161AB
SPL 17-A49BM	DC-22 Ceiling Panel and Grilles
SPL 20-6971AB	Light Ray Assembly, Photobell Manufacture
SPL 31-7069AF	Advanced Fixtures, Component Fixtures for Car Operating & Hall Panels
SPL 31-7069AG	Jewel Modules for Hall & Car Panels: 3-Wire Configuration With Incandescent Lamps/LED Options
SPL 31-7069AH	Advanced Fixtures, Car, Key Switch

(Continued on next page)

History (continued)

17-6193MJ

Subject Matter Expert	
Name	Department
Troy Chicoine	OSC Service Engineering

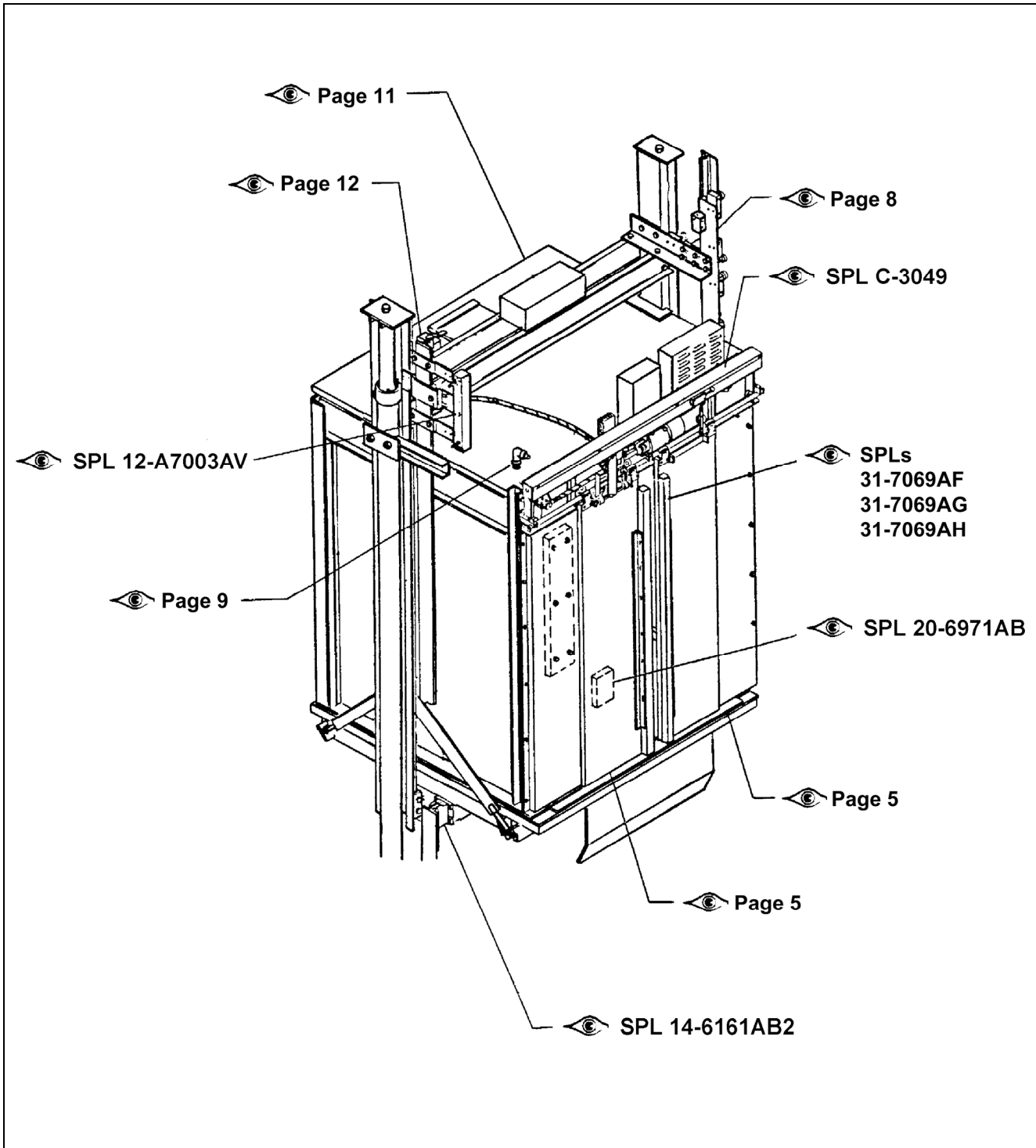
About Spare Parts Leaflets...

This document lists the lowest replaceable units (LRUs) for the standard version of the product. The LRUs are chosen by a team of Otis associates representing engineering and manufacturing.

While goal of this document is to make parts identification as easy as possible, the document cannot be all-inclusive. Elevator and escalator contracts classified as “special” or “custom” are not addressed here. For such contracts, please refer to specified information, the contract folder, TIPS, Field Education Articles, Construction Letters, etc. for further information.

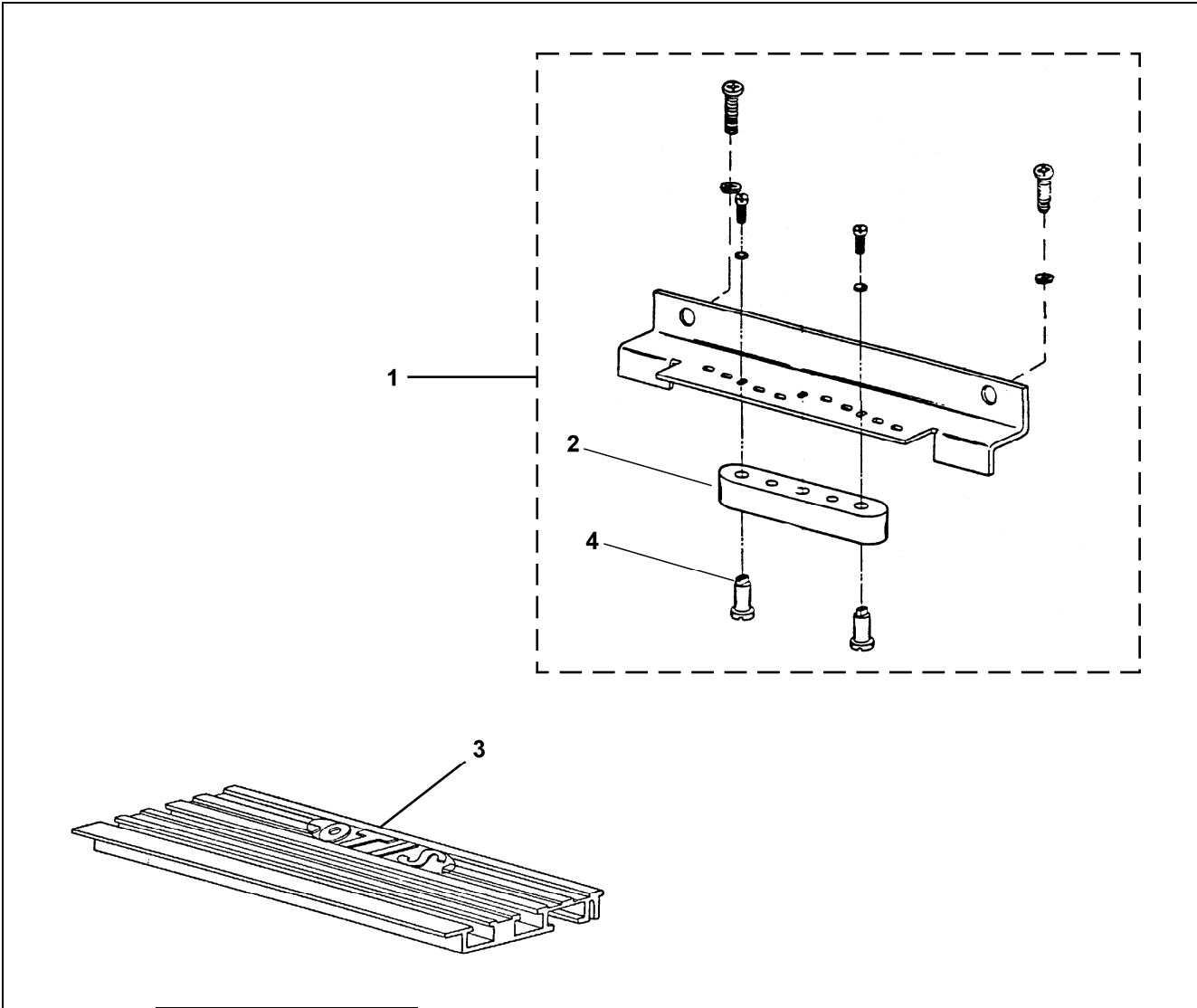
If you have any suggestions about this document, please contact the subject matter expert listed on this page.

**Type D6193MJ and D6193MK Cars
w/Type 7777A/G/H Door Operators**

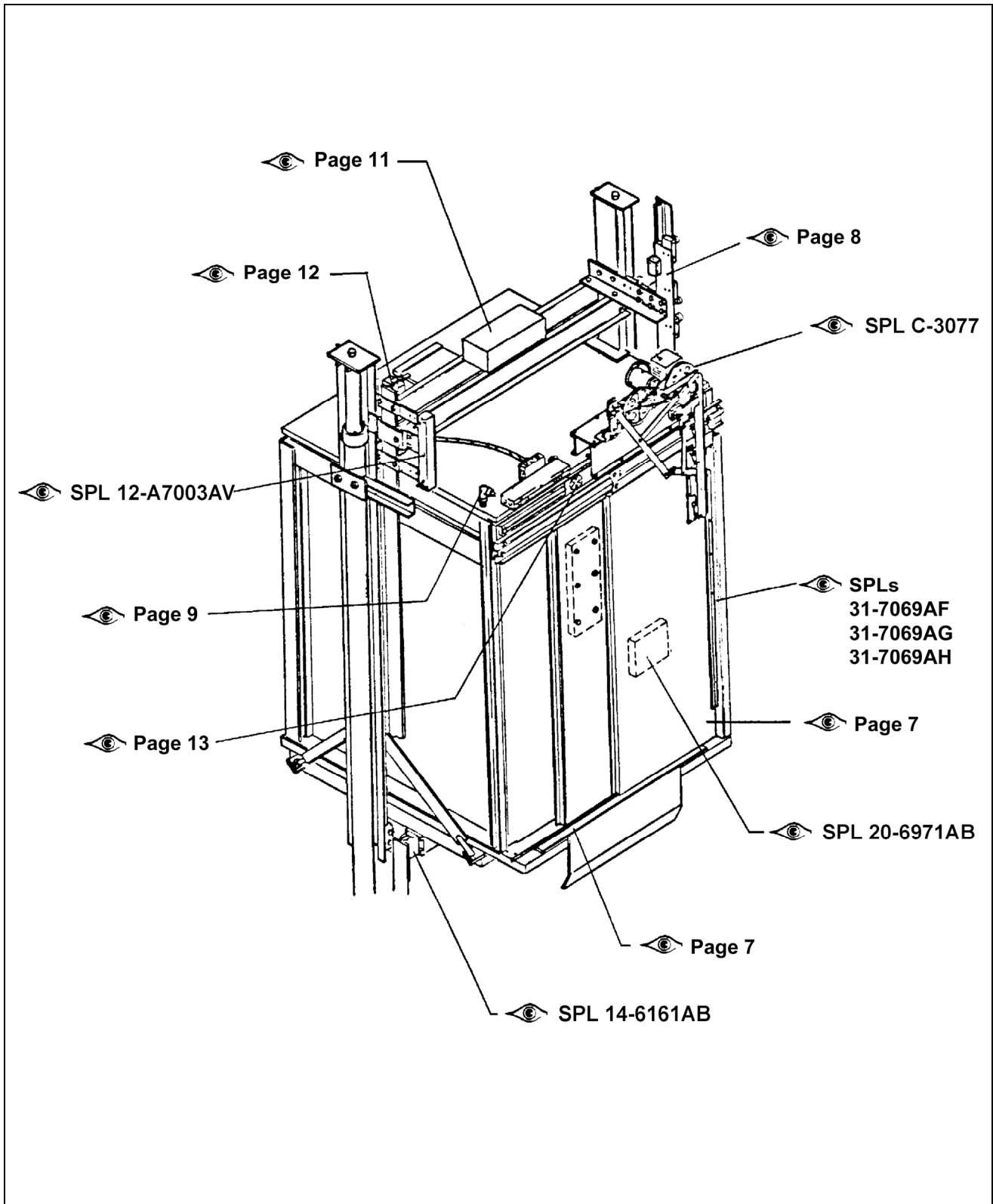


**Type D6193MJ and D6193MK Cars
w/Type 7777A/G/H Door Operators**

17-6193MJ

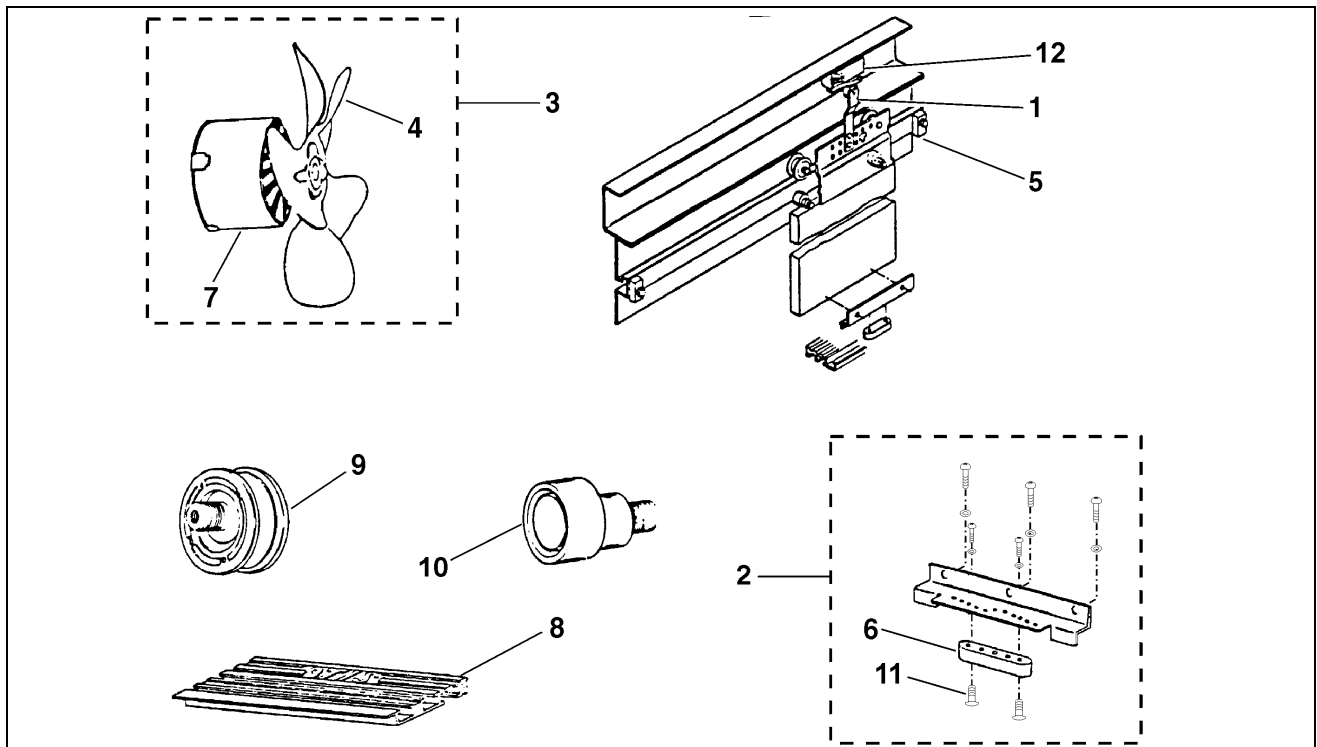


W/O VINTAGE & VINTAGE Y 01				
REF. No.	PART No.	DESCRIPTION	OPENING SIZE	HAND
1	7593B5	Assembly, Door Guide	---	---
2	J0251C1	Gib, Sliding	---	---
3	A280AN51-41	Plate, Threshold	42 in.	CO
	A280AN53-41		42 in.	☞
	A280AN55-41		42 in.	☞
	A280AN57-41		36 in.	☞
	A280AN59-41		36 in.	☞
4	95CV1	Screw, Safety	---	---




Type E6193MK Car w/GAL Door Operator

17-6193MJ

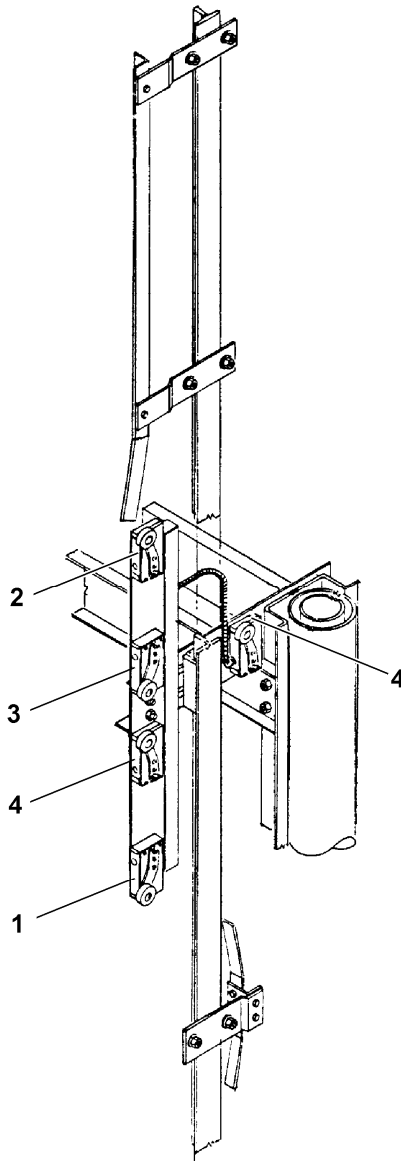


**W/O VINTAGE &
VINTAGE Y 01**


REF. No.	PART No.	DESCRIPTION	OPENING SIZE	HAND
1	288RH8	Arm, Roller	---	---
2	7593B6	Assembly, Door Guide	---	---
3	6091AB1	Assembly, Fan	---	---
4	301G1	Blade, Fan	---	---
5	320AB8	Bumper	---	---
6	J0251C1	Gib, Sliding	---	---
7	6333DE1	Motor	---	---
8	A280AN53-41	Plate, Threshold	42 in.	☞
	A280AN55-41		42 in.	☞
	A280AN57-41		36 in.	☞
	A280AN59-41		36 in.	☞
9	456EW1	Roller	---	---
10	456CP1	Roller, Eccentric	---	---
11	95CV1	Screw, Safety	---	---
12	6098E5	Switch,  SPL 05-6098	---	☞
	6098E6		---	☞

17-6193MJ

Type A6098MN Limit Switch

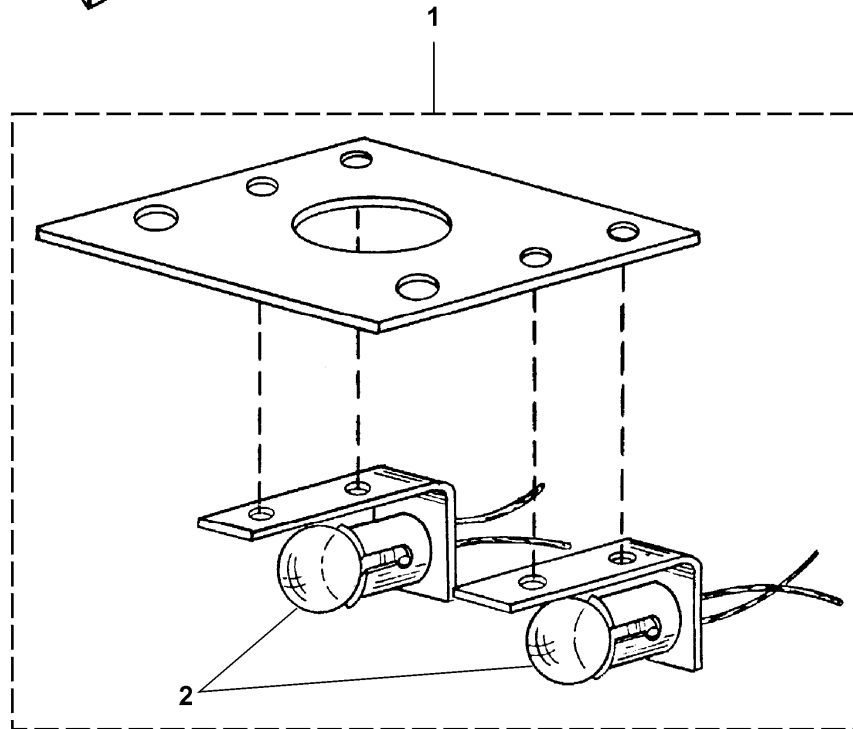
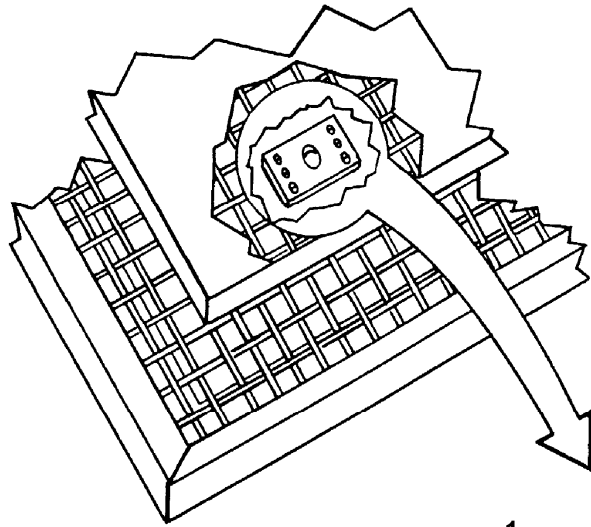


**W/O VINTAGE &
VINTAGE Y 01**

REF. No.	PART No.	DESCRIPTION	SYMBOL
1	A6098B27	Assembly, Switch,  SPL 05-6098	L3S
2	A6098B28		L4S
3	A6098B31		L2S
4	A6098B32		L1S, AZC

Type 417BN Emergency Light Fixture

17-6193MJ

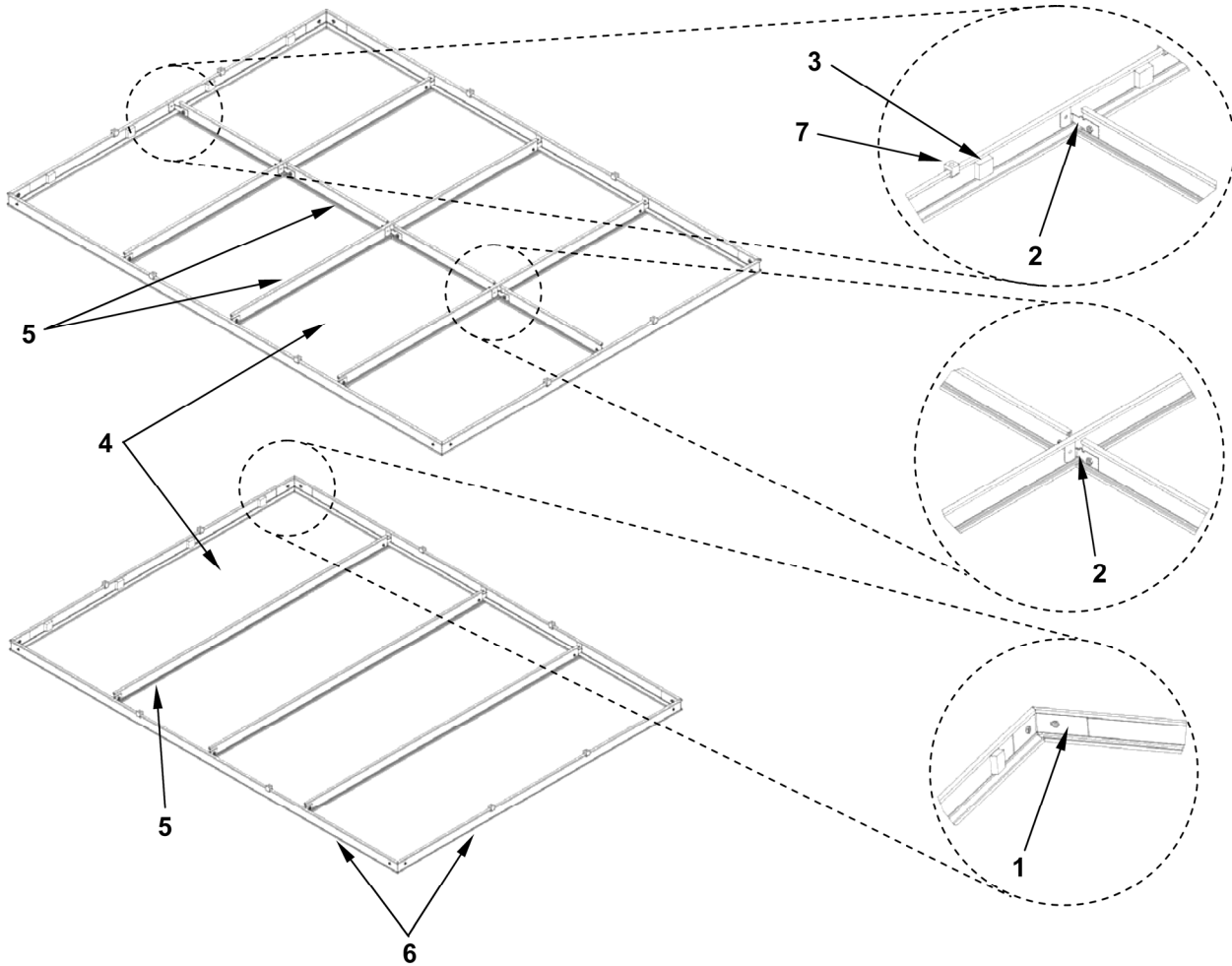


**W/O VINTAGE &
VINTAGE Y 01**


REF. No.	PART No.	DESCRIPTION
1	417BN1	Fixture, Emergency Light
2	424D3	Lamp, Bayonet, 12 VDC

17-6193MJ

DC-22 Decorative Ceiling



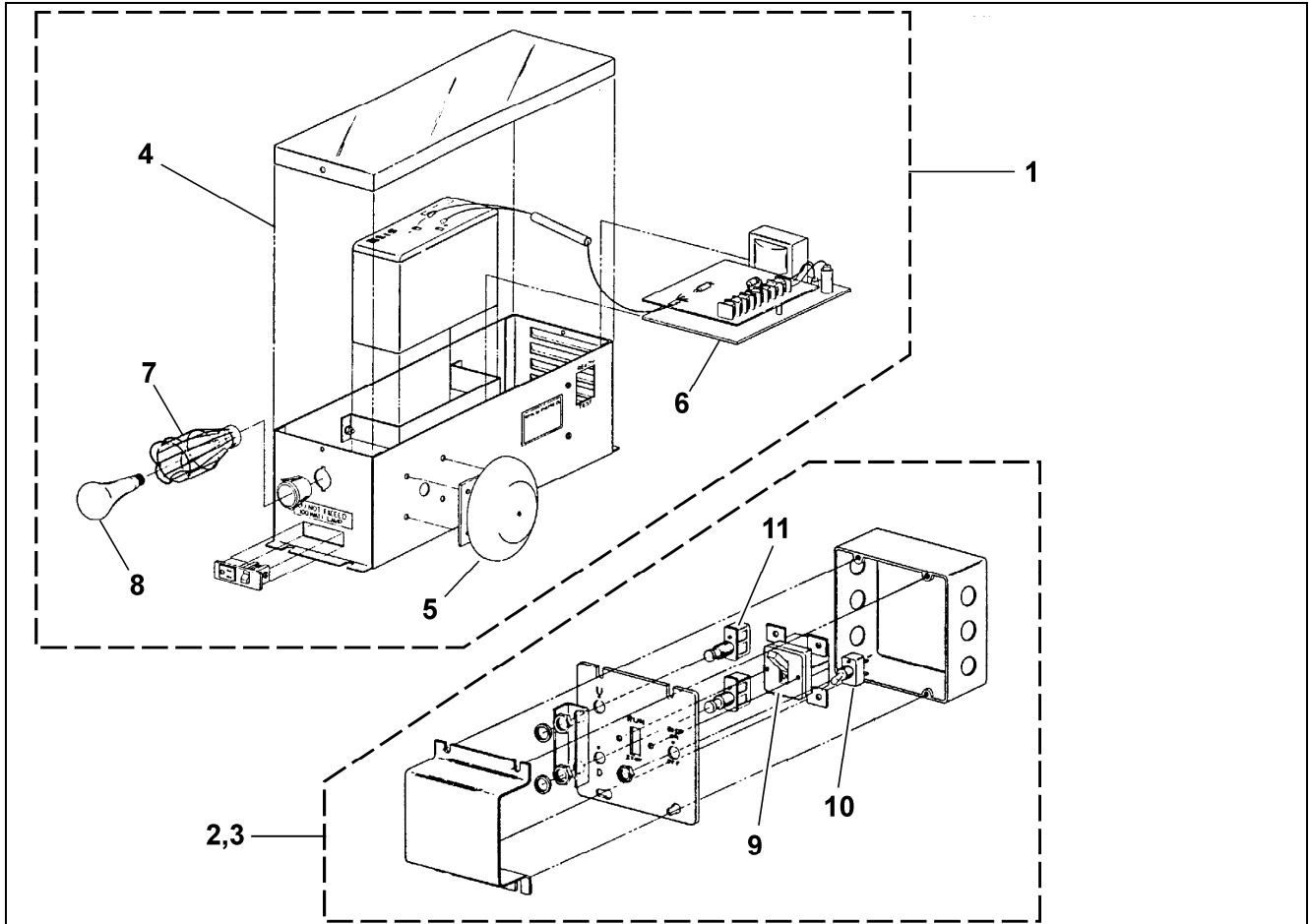
**W/O VINTAGE &
VINTAGE Y 01**

REF. No.	PART No.	DESCRIPTION
1	283WV1	Bracket, Corner
2	283WW1	Bracket, Side
3	320CE3	Bumper
4	---	Grille / Louver Panel,  SPL 17-A49BM
5	50AKS-144	Shape, Center Support, Aluminum, 144 in. long (Cut to suit in field)
6	50AKR-144	Shape, Side Frame, Aluminum, 144 in. long (Cut to suit in field)
7	338AP1	Slip Nut

Type C7003R Emergency Power Supply

Type 7003AL Emergency Stop Switch

17-6193MJ

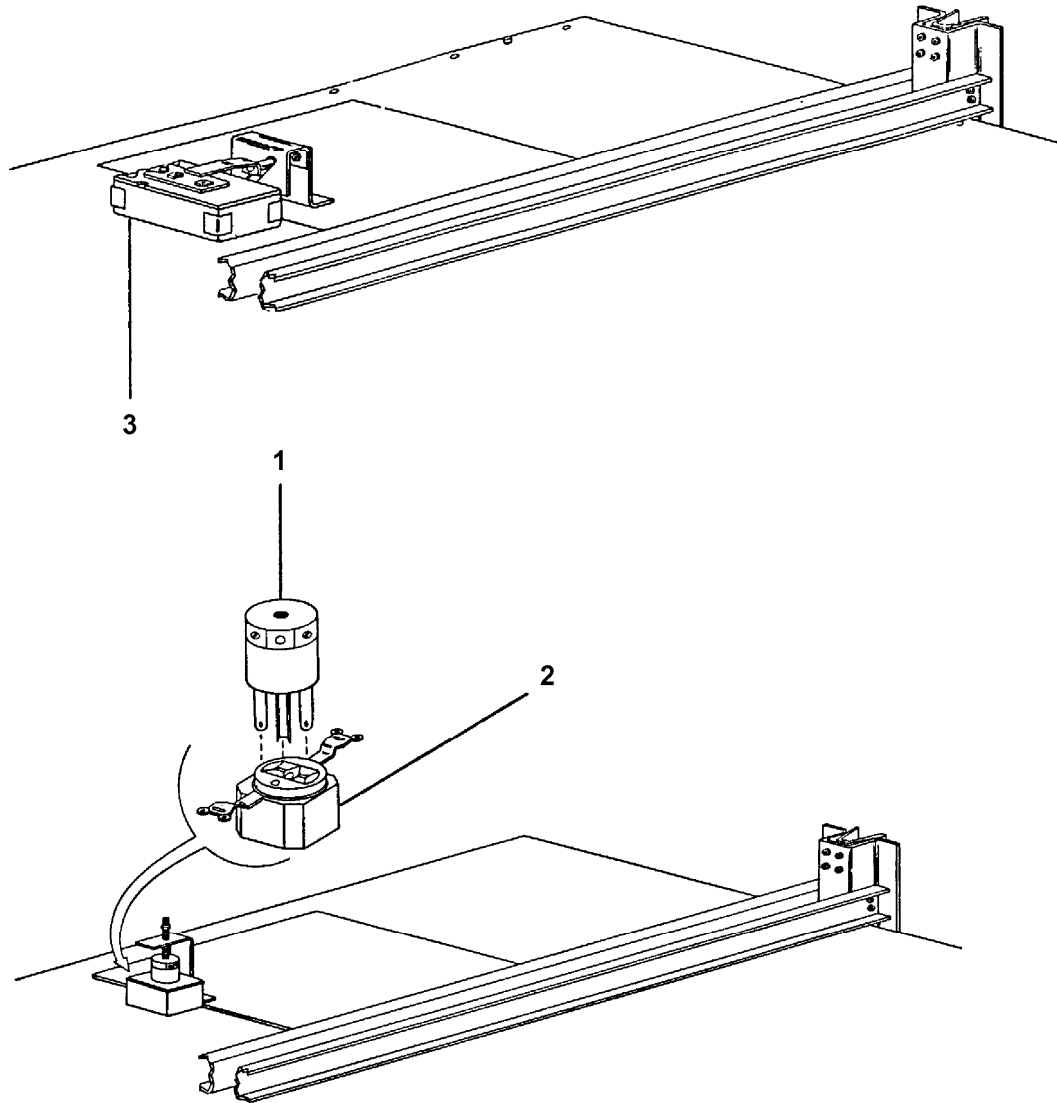


**W/O VINTAGE &
VINTAGE Y 01**


REF. No.	PART No.	DESCRIPTION
1	C7003R1	Assembly, Emergency Power Supply
2	7003AL1	Assembly, Emergency Stop Switch w/Inspection
3	7003AL2	Assembly, Emergency Stop Switch w/o Inspection
4	718AAC1	Battery
5	V311B7	Bell
6	B628B1	Charger, Battery
7	V384MJ1	Guard, Lamp
8	6599D10	Lamp
9	P177BY1	Switch, Emergency Stop
10	6599A7	Switch, Inspection
11	P177BX1	Switch, Momentary

17-6193MJ

Type A6098LR and 6098MT Top Exit Switches



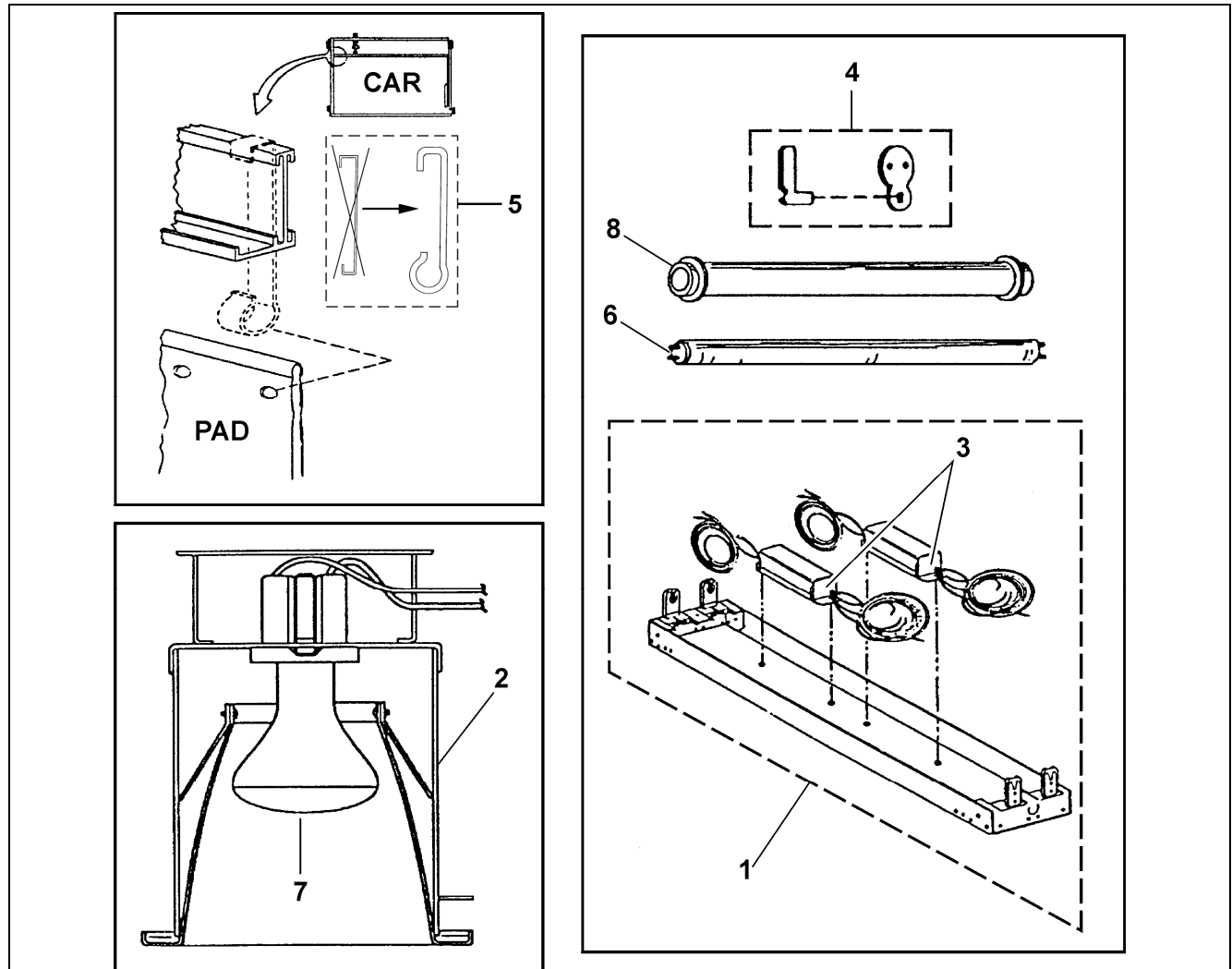
**W/O VINTAGE &
VINTAGE Y 01**

REF. No.	PART No.	DESCRIPTION
1	176DE1	Plug
2	618AD1	Socket
3	6098CM2	Switch,  SPL 05-6098

Type 6193LF Protective Pads

17-6193MJ

Type 417BL and 417CB Light Fixtures

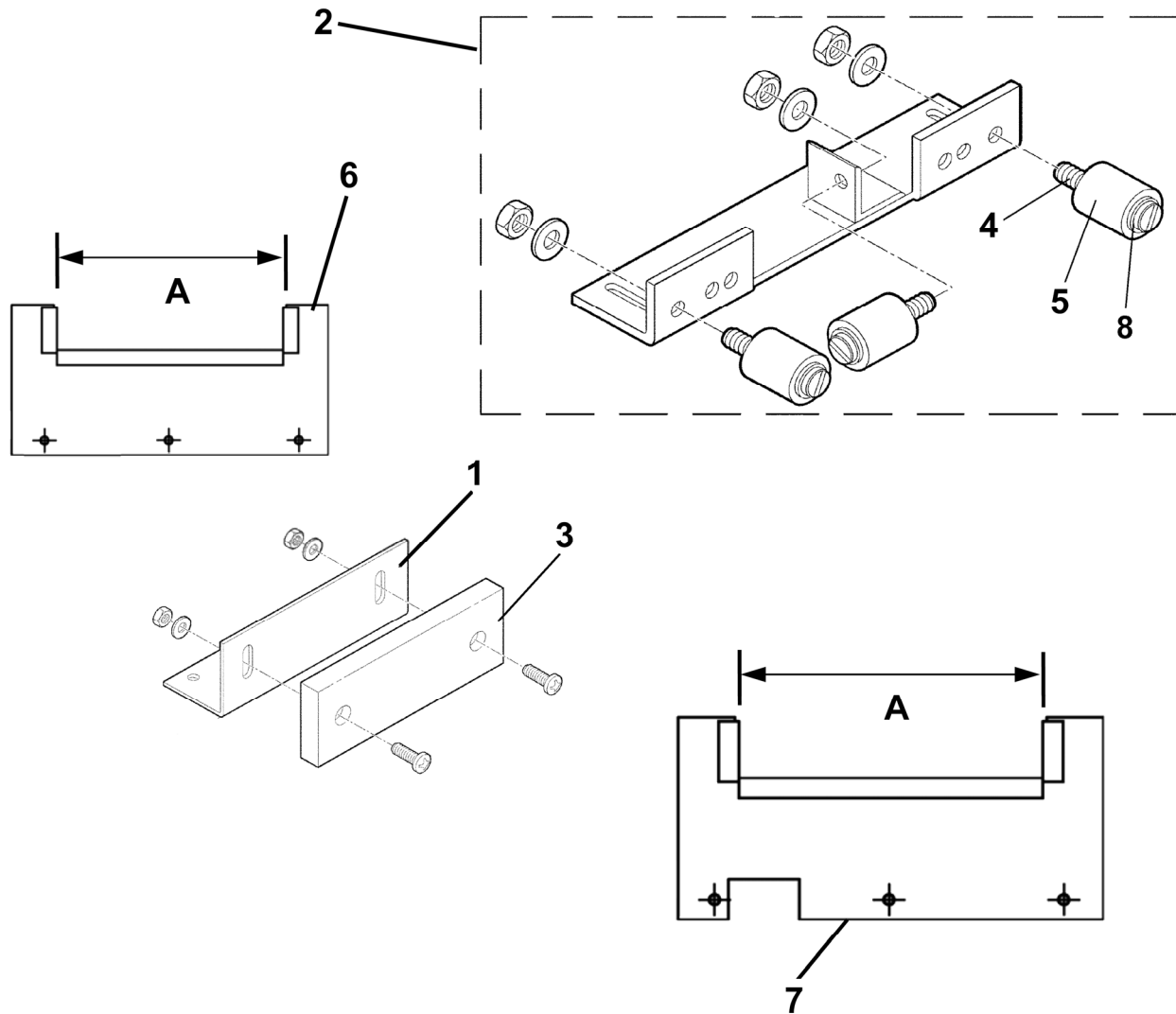


**W/O VINTAGE &
VINTAGE Y 01**

REF. No.	PART No.	DESCRIPTION
1	417CB1	Assembly, Light Fixture used w/Grille Ceiling
2	417BL2	Assembly, Light Fixture used w/Mirrored Ceiling
3	417CB/Ballast	Ballast
4	384VD1	Flur-O-Lock
5	347TL5 347TL7	Hook, Pad
6	424E17	Lamp, Fluorescent
7	424W1	Lamp, Incandescent
8	137BA5	Tube, Protective

17-6193MJ

Cab Steadier



W/O VINTAGE		
REF. No.	PART No.	DESCRIPTION
1	AAA283ALF1	Angle, Steadier
2	6193MW1	Assembly, Steadying Device (for 9C-11C car frames)
3	320J4	Pad, Bumper
4	AAA81MV1	Pin
5	137AD1	Roller, Tube
6	316DPE2 A316DPE2	Steadier, Cab, A = 5.2 in.
7	316DTT2	Steadier, Cab, A = 7.7 in.
8	127BA41	Washer