

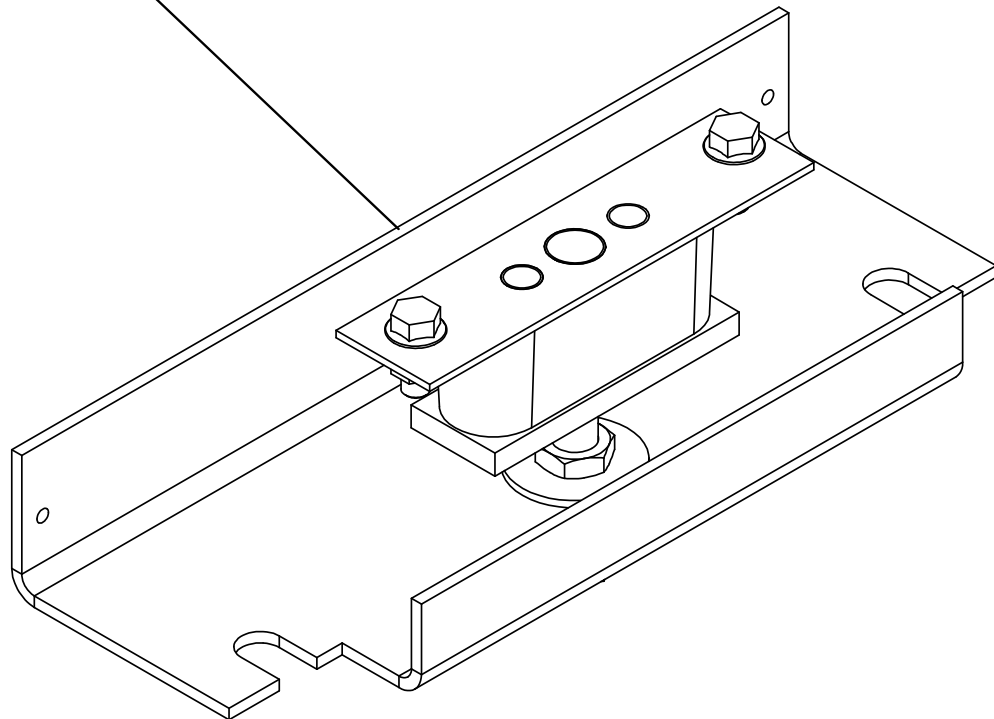
**Platform Sound
Insulation, Spacer
Assembly**

Spare Parts Leaflet

17-AAA24240G

April 9, 2014 / Page 1 of 3

17 AAA24240G



OTIS

**SERVICE ENGINEERING
Otis Elevator Company
Bloomfield, Connecticut USA**

Unpublished Work—© Otis Elevator Co.; 2014

Leaflet Description

This leaflet was originally created for the platform sound insulation assembly used on Gen2® system for NSAA.

Leaflet Revisions

Date Revised	Subject Matter Expert	Reason for Revision
July 21, 2010	Brian Mierzejewski & Troy Chicoine	New SPL
April 9, 2014	Kyle Pereira	Updated template; Added p/n AAA2424G2 on p. 3

Related Drawings

Drawing No.	Title	Drawing No.	Title
AAA24240G	Platform Sound Insulation, Spacer Assembly	---	---
---	---	---	---

Related Documents

Document ID	Title
---	---
---	---

Subject Matter Expert

Name	Department
Troy Chicoine	OSC Service Engineering

About Spare Parts Leaflets...

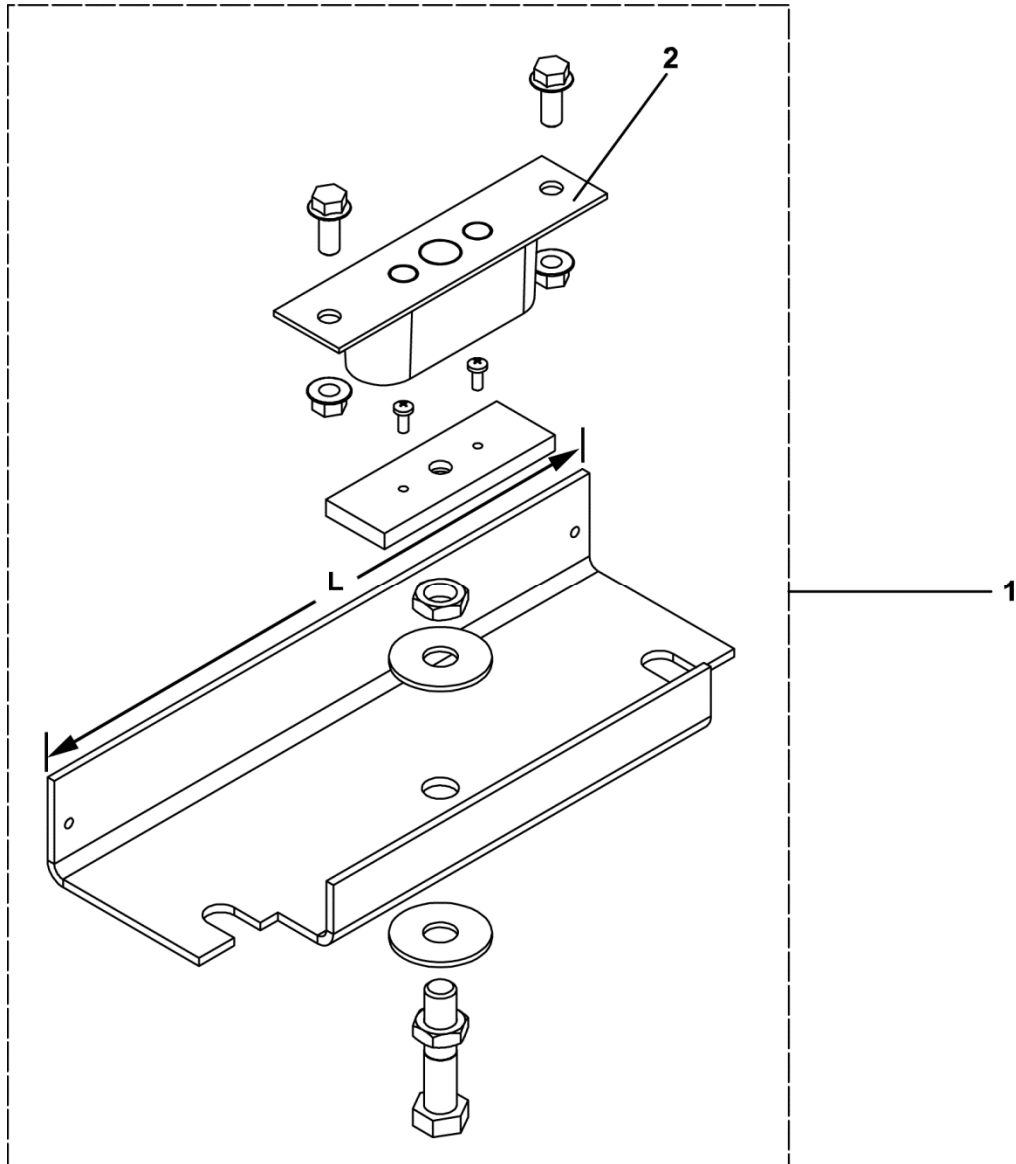
This document lists the lowest replaceable units (LRUs) for the standard version of the product. The LRUs are chosen by a team of Otis associates representing engineering and manufacturing.

While goal of this document is to make parts identification as easy as possible, the document cannot be all-inclusive. Elevator and escalator contracts classified as “special” or “custom” are not addressed here. For such contracts, please refer to specified information, the contract folder, TIPs, Field Education Articles, Construction Letters, etc. for further information.

If you have any suggestions about this document, please contact the subject matter expert listed on this page.

Platform Sound Insulation Assembly

17-AAA24240G



REF. No.	PART No.	DESCRIPTION
1	AAA24240G1	Assembly, Platform Sound Insulation, Spacer, L = 367 mm
	AAA24240G2	Assembly, Platform Sound Insulation, Spacer, L = 330 mm
2	AAA310QM4	Block, Sound Insulation