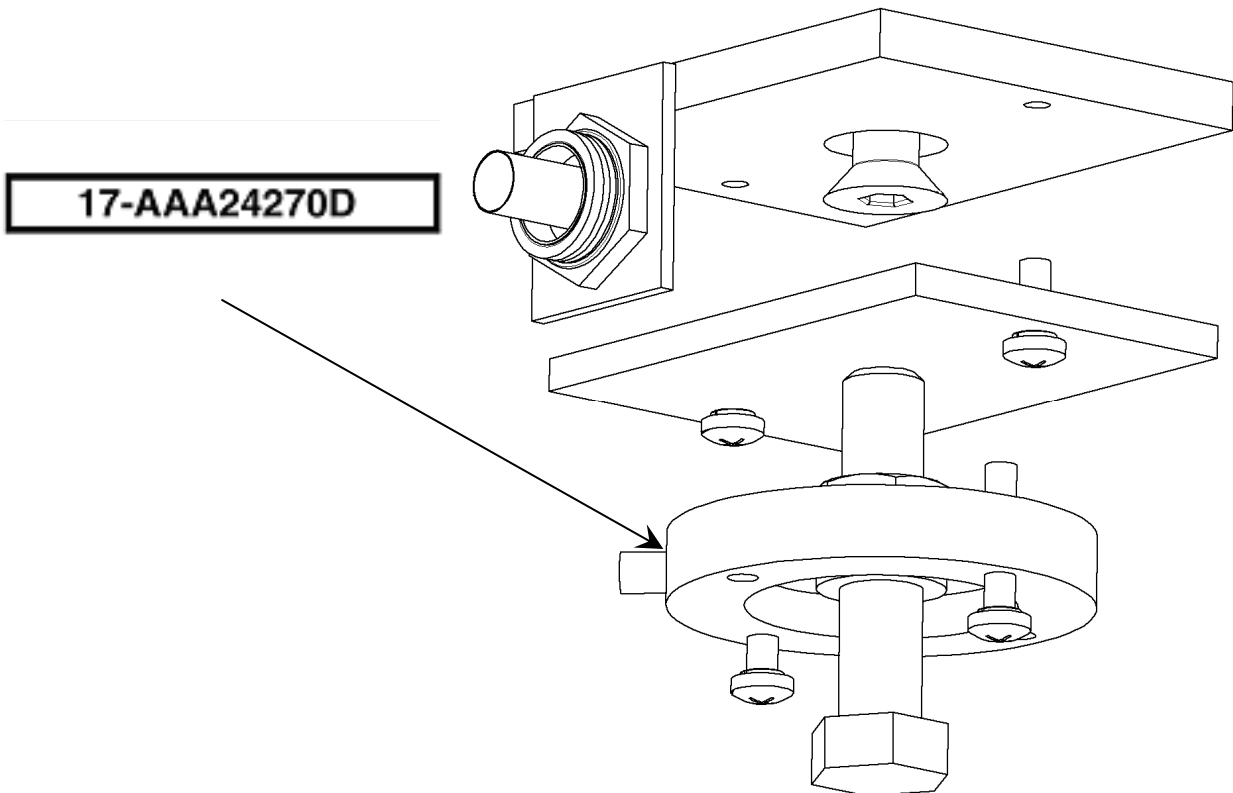


**Loadweighing
Transducer Assemblies**

Spare Parts Leaflet

17-AAA24270D

June 5, 2007 / Page 1 of 4



OTIS

Safety First!

SERVICE ENGINEERING
Otis Elevator Company
Bloomfield, Connecticut USA

Leaflet Description

This leaflet contains parts information for loadweighing/platform isolation arrangements used on a variety of Otis traction equipment, including Gen2® Limited Duty systems for NSAA.

Leaflet Revisions

Date Revised	Subject Matter Expert	Reason for Revision
January 1, 2001	Troy Chicoine	New leaflet
June 5, 2007	Troy Chicoine	Add arrangement info for clarification and isolation blocks

Related Drawings

Drawing No.	Title	Drawing No.	Title
6183CD	Loadweighing Transducer Elevonic 101/401	AAA24270F	Assembly, Load Cell and Isolation Pad
AAA24270D	Assembly, Transducer and Sound Isolation Pads		

Related Documents

Document ID	Title
SPL 14-6183AE	Platform Sound Isolation
SPL 17-6183CD	Loadweighing Transducer Assemblies Elevonic 101/401
SPL 17-AAA24270F	Loadweighing Transducer Assemblies

Subject Matter Expert

Name	Department
Troy Chicoine	OSC Service Engineering

About Spare Parts Leaflets...

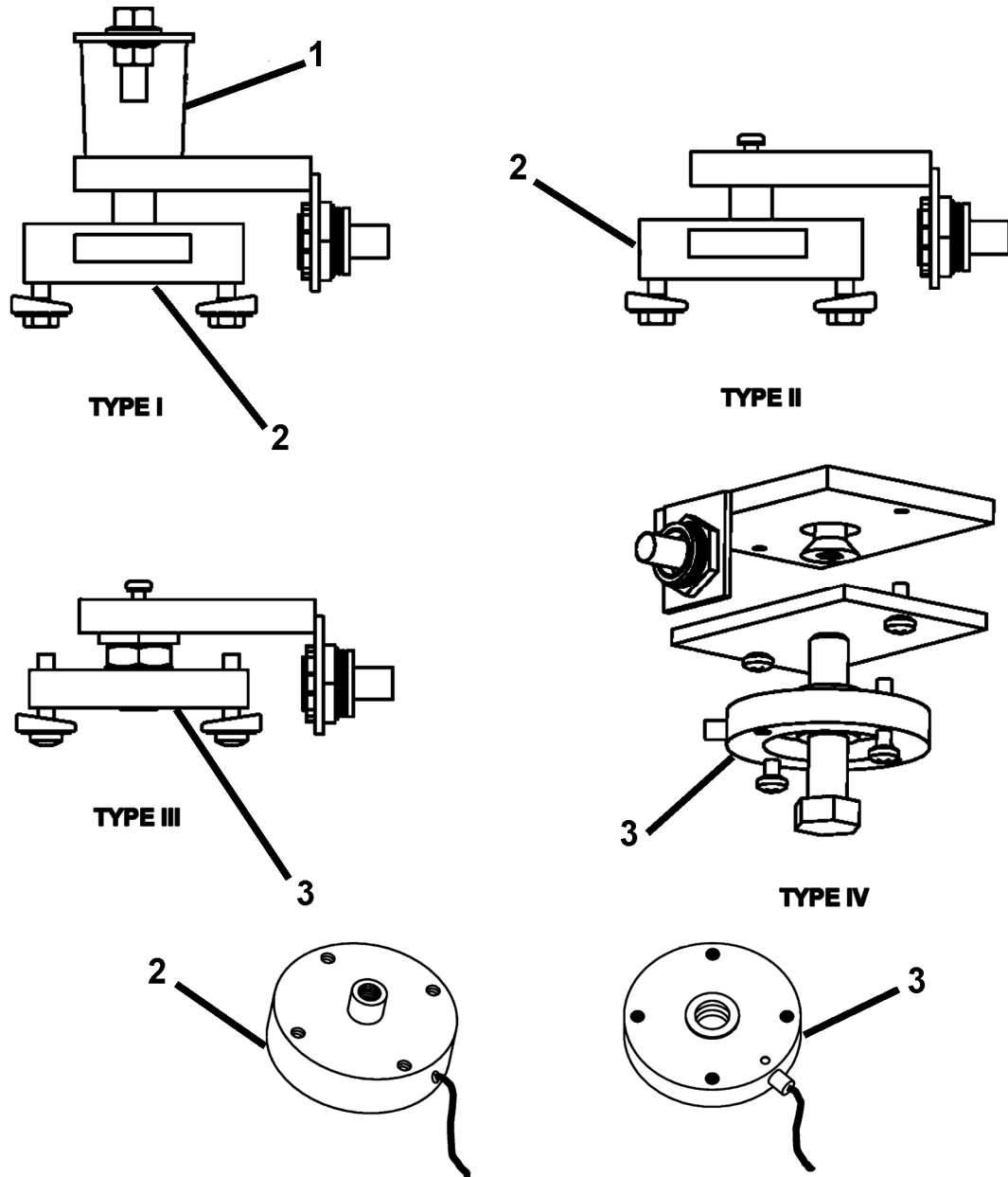
This document lists the lowest replaceable units (LRUs) for the standard version of the product. The LRUs are chosen by a team of Otis associates representing engineering and manufacturing.

While goal of this document is to make parts identification as easy as possible, the document cannot be all-inclusive. Elevator and escalator contracts classified as “special” or “custom” are not addressed here. For such contracts, please refer to specified information, the contract folder, TIPs, Field Education Articles, Construction Letters, etc. for further information.

If you have any suggestions about this document, please contact the subject matter expert listed on this page.

AAA24270D Type Loadweighing Assembly

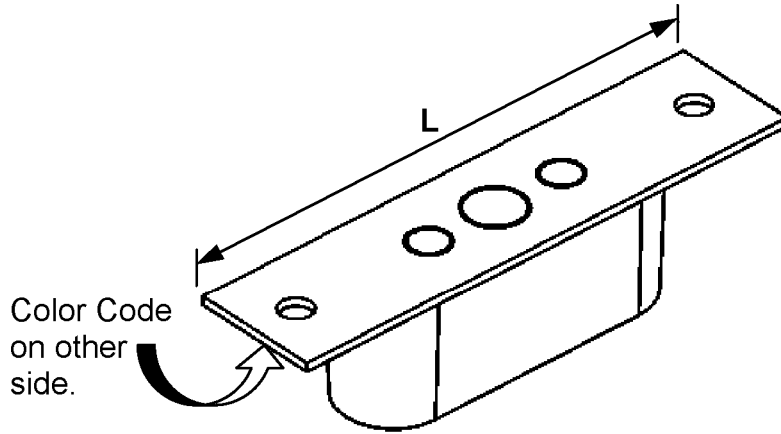
17-AAA24270D



AAA24270D					
REF. No.	PART No.	DESCRIPTION	TYPE	THICKNESS	RANGE (LB.)
1	---	Block, Sound Isolation, See Page 4	---	---	
2	622D2 622D4	Transducer	I, II	0.88	0-2000
3	622D6		III, IV	0.60	0-2000

Sound Isolation Pads

17-AAA24270D



NOTE: For other sound isolation blocks, refer to SPL 14-6183AE.

AAA24270D				
REF. No.	PART No.	DESCRIPTION	COLOR CODE	L (in)
1	AAA310QM1	Block, Isolation	Brown	7.24
	AAA310QM2		Gray	
	AAA310QM3		Green	
	AAA310QM4		Red	
	AAA310QM5		Orange	