

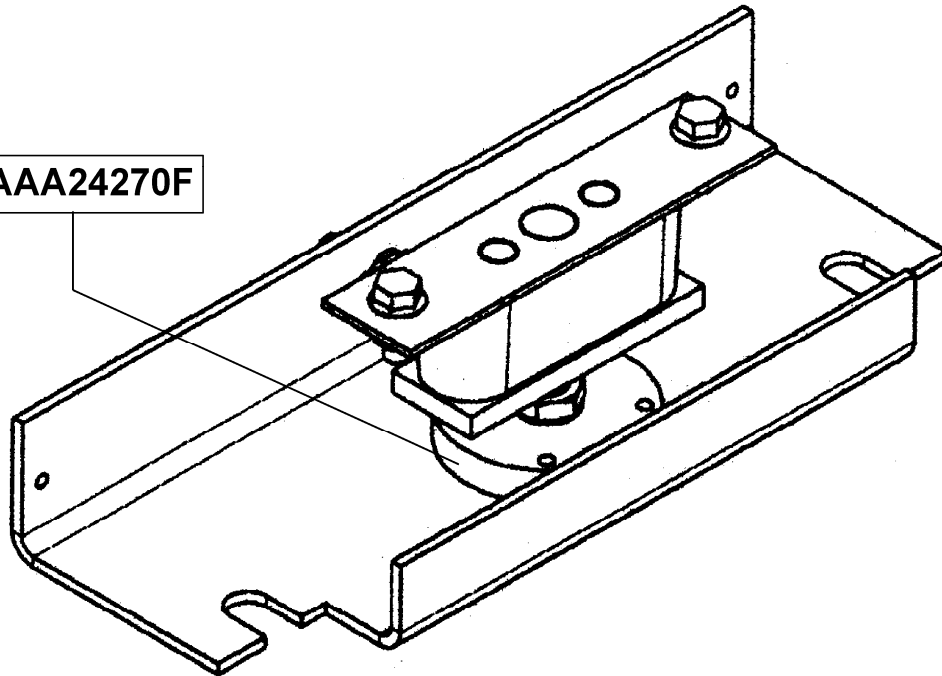
Loadweighing Transducer Assemblies

Spare Parts Leaflet

17-AAA24270F

June 21, 2007 / Page 1 of 3

17 - AAA24270F



OTIS

Safety First!

SERVICE ENGINEERING
Otis Elevator Company
Bloomfield, Connecticut USA

Leaflet Description

This leaflet was originally created for the loadweighing transducer assemblies used on Gen2 Extended Duty systems for NSAA.

Leaflet Revisions

Date Revised	Subject Matter Expert	Reason for Revision
June 21, 2007	Troy Chicoine	New Leaflet

Related Drawings

Drawing No.	Title	Drawing No.	Title
6183CD	Loadweighing Transducer Elevonic 101/401	AAA24270F	Assembly, Load Cell and Iso Pad
AAA24270D	Assembly, Transducer and Sound Isolation Pads		

Related Documents

Document ID	Title
SPL 14-6183AE	Platform Sound Isolation
SPL 17-6183CD	Loadweighing Transducer Assemblies Elevonic 101/401
SPL 17-AAA24270D	Loadweighing Transducer Assemblies

Subject Matter Expert

Name	Department
Troy Chicoine	OSC Service Engineering

About Spare Parts Leaflets...

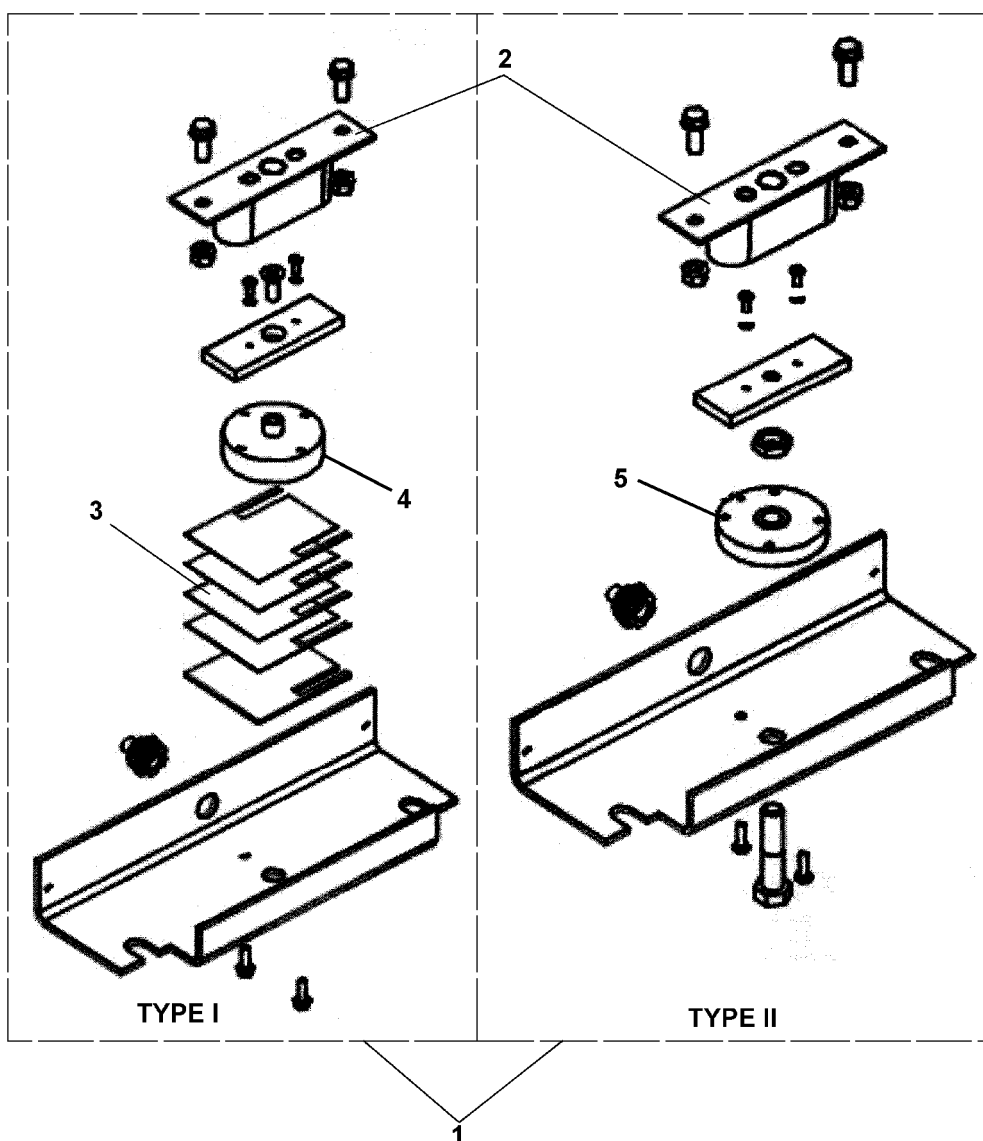
This document lists the lowest replaceable units (LRUs) for the standard version of the product. The LRUs are chosen by a team of Otis associates representing engineering and manufacturing.

While goal of this document is to make parts identification as easy as possible, the document cannot be all-inclusive. Elevator and escalator contracts classified as "special" or "custom" are not addressed here. For such contracts, please refer to specified information, the contract folder, TIPs, Field Education Articles, Construction Letters, etc. for further information.

If you have any suggestions about this document, please contact the subject matter expert listed on this page.

Loadweighing Assembly

17-AAA24270F



AAA24270F				
REF. No.	PART No.	DESCRIPTION	THICKNESS T (in.)	OPERATING RANGE (lb.)
1	AAA24270F1	Assembly, Loadweighing, Type I		
	AAA24270F2	Assembly, Loadweighing, Type II		
2	AAA310QM4	Block, Sound Isolation, Color Code: Red, 7.24 in. Long		
3	AAA255LK3	Shim, 0.12 in. Thick		
	AAA255LK4	Shim, 0.03 in. Thick		
4	622D2	Transducer	0.88	0-2000
	622D4			
5	622D6		0.60	0-2000