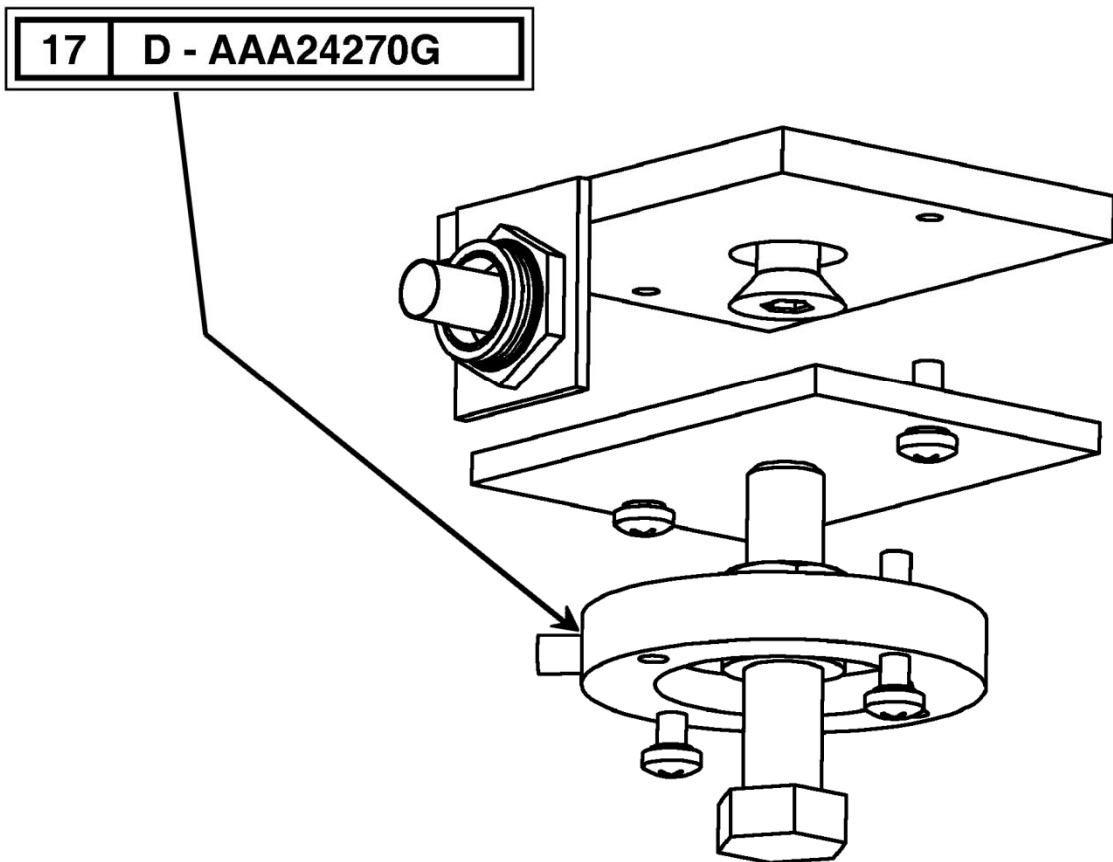


Loadweighing Transducer Assemblies

Spare Parts Leaflet

17-AAA24270G

September 14, 2016 / Page 1 of 3



OTIS

SERVICE ENGINEERING
Otis Elevator Company
Bloomfield, Connecticut USA

Unpublished Work—© Otis Elevator Co.; 2016

Leaflet Description

This leaflet contains parts information for loadweighing / platform isolation arrangements used on a variety of Otis traction equipment, including Gen2® Limited Duty systems for NSAA.

Leaflet Revisions

Date Revised	Subject Matter Expert	Reason for Revision
September 29, 2009	Troy Chicoine, Avinash A. Rahurkar	New SPL
September 14, 2016	Troy Chicoine Cuauhtemoc Castro Inzunza	Added p/n 622D7 on p. 3

Related Drawings

Drawing No.	Title	Drawing No.	Title
6183CD	Loadweighing Transducer Elevonic 101/401	AAA24270F	Assembly, Load Cell and Isolation Pad
AAA24270G	Assembly, Transducer and Sound Isolation Pads		

Related Documents

Document ID	Title
SPL 14-6183AE	Platform Sound Isolation
SPL 17-6183CD	Loadweighing Transducer Assemblies Elevonic 101/401
SPL 17-AAA24270F	Loadweighing Transducer Assemblies

Subject Matter Expert

Name	Department
Troy Chicoine Cuauhtemoc Castro Inzunza	OSC Service Engineering Florence, NEB

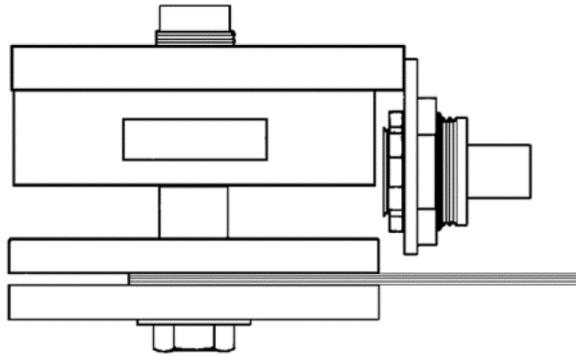
About Spare Parts Leaflets...

This document lists the lowest replaceable units (LRUs) for the standard version of the product. The LRUs are chosen by a team of Otis associates representing engineering and manufacturing.

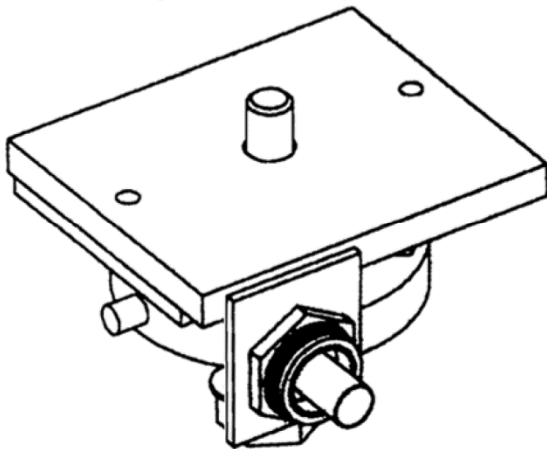
While goal of this document is to make parts identification as easy as possible, the document cannot be all-inclusive. Elevator and escalator contracts classified as “special” or “custom” are not addressed here. For such contracts, please refer to specified information, the contract folder, TIPs, Field Education Articles, Construction Letters, etc. for further information.

If you have any suggestions about this document, please contact the subject matter expert listed on this page.

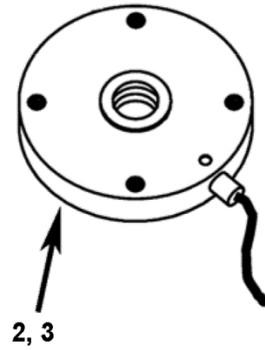
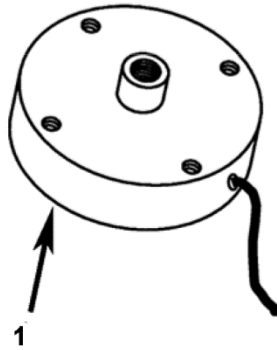
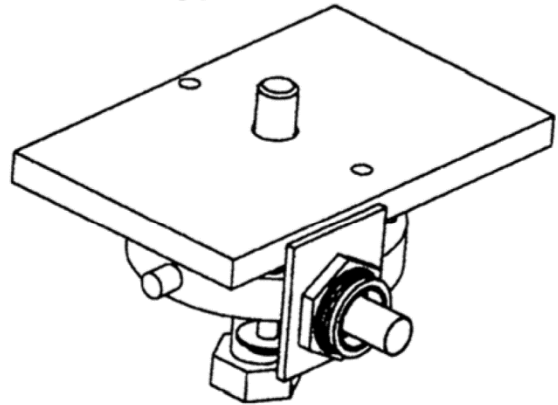
Types 1 and 2




Type 3



Type 4



AAA24270G

REF. No.	PART No.	DESCRIPTION	 TYPE	THICKNESS	RANGE (LB.)
1	622D5	Transducer, 4-Wires, for Legacy Systems E411, E401, E101, LMCSS	1, 2	0.88	0-2000
2	622D6		3, 4	0.60	0-2000
3	622D7	Transducer, 3-Wires, for E2 KIB only			