

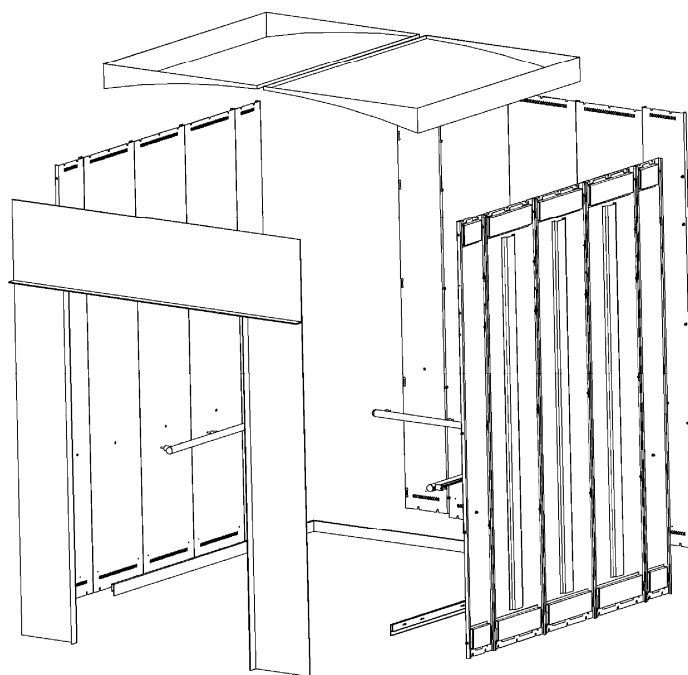
Cab Assembly for Gen2™ R2 Systems

Spare Parts Leaflet

17-AAA24650B

August 21, 2009 / Page 1 of 14

17 H-AAA24650B



OTIS

Safety First!

SERVICE ENGINEERING
Otis Elevator Company
Bloomfield, Connecticut USA

Leaflet Description

This leaflet provides parts information for Gen2™ R2 cab assembly. The Gen2 R2 system installation began in mid-2003 for NSAA.

Leaflet Revisions

Date Revised	Subject Matter Expert	Reason for Revision
October 30, 2004	Jeff Smith	New SPL
August 21, 2009	Troy Chicoine	Added new pages; Updated part numbers and illustrations throughout

Related Drawings

Drawing No.	Title	Drawing No.	Title
AAA24650B	Generic Cab Assembly	AAA24660G	Gen2 R2 ED Structural Ceiling: Ceiling Subsystem Assembly
AAA25580AS	Integrated Top of Car Box Gen2 - RSL	---	---

Related Documents

Document ID	Title
SPL 17-AAA24689D	Cab Assembly: Series 1, 2 & 3
SPL 17-AAA25580AS	Top-of-Car Integration Box for Gen2™ Systems

Subject Matter Expert

Name	Department
Troy Chicoine	OSC Service Engineering

About Spare Parts Leaflets...

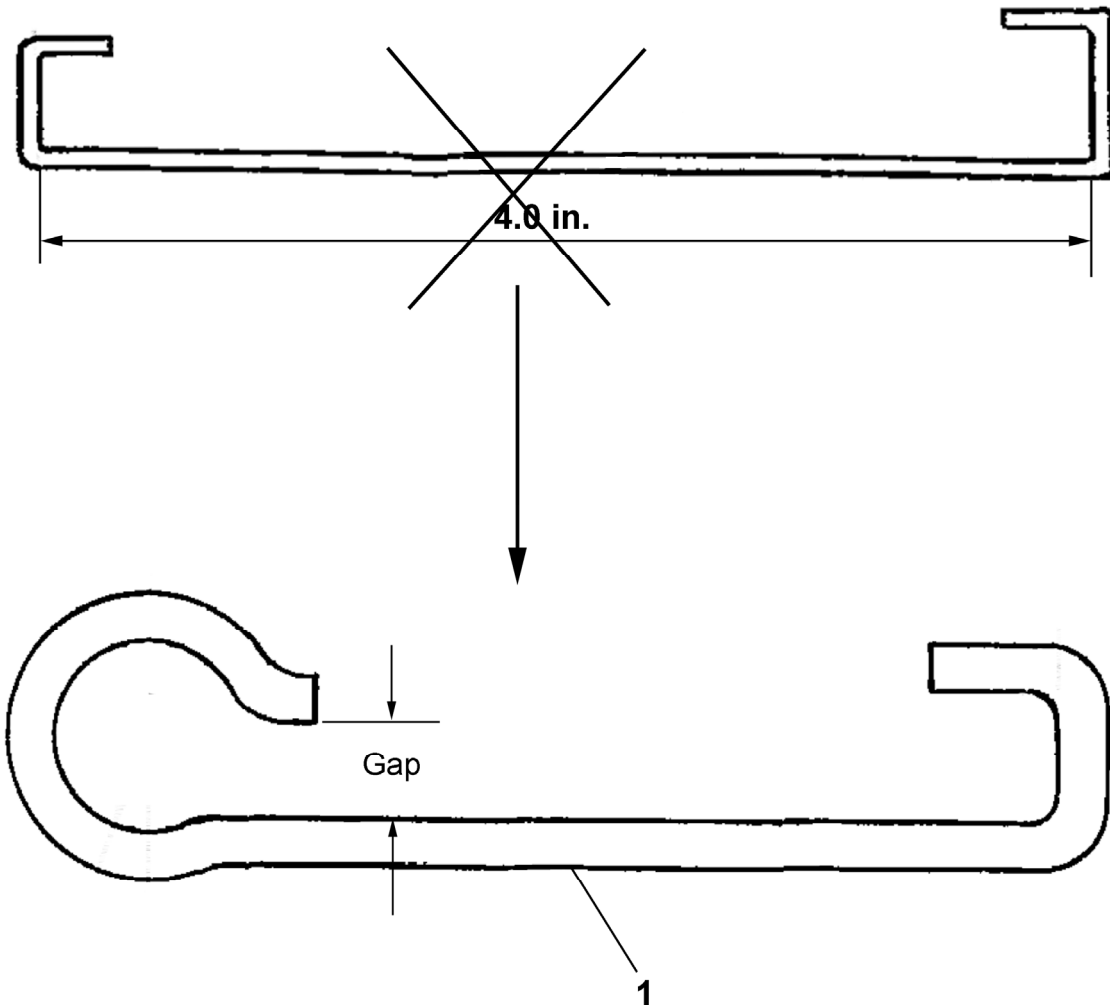
This document lists the lowest replaceable units (LRUs) for the standard version of the product. The LRUs are chosen by a team of Otis associates representing engineering and manufacturing.

While goal of this document is to make parts identification as easy as possible, the document cannot be all-inclusive. Elevator and escalator contracts classified as “special” or “custom” are not addressed here. For such contracts, please refer to specified information, the contract folder, TIPs, Field Education Articles, Construction Letters, etc. for further information.

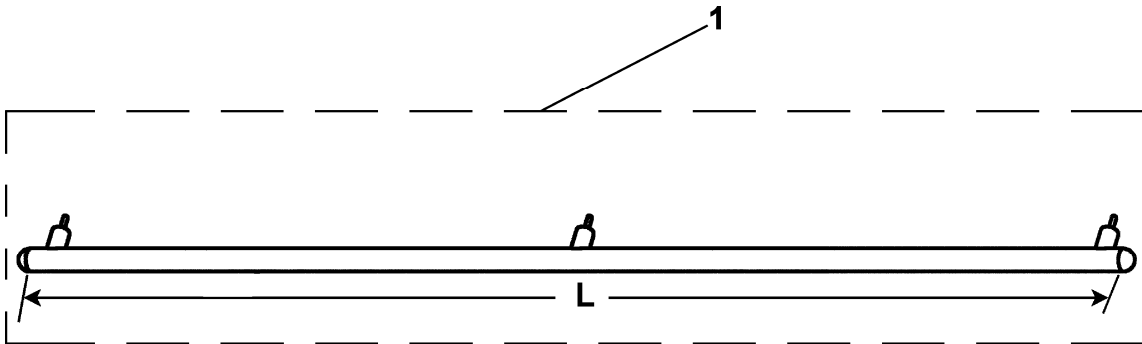
If you have any suggestions about this document, please contact the subject matter expert listed on this page.

Pad Hook

17-AAA24650B



REF. No.	PART No.	DESCRIPTION
1	AAA24650B 347TL5 347TL7	Hook, Pad, Gap = 0.38 in.

17-AAA24650B**STD-B Handrail Assembly****Finish Codes:**

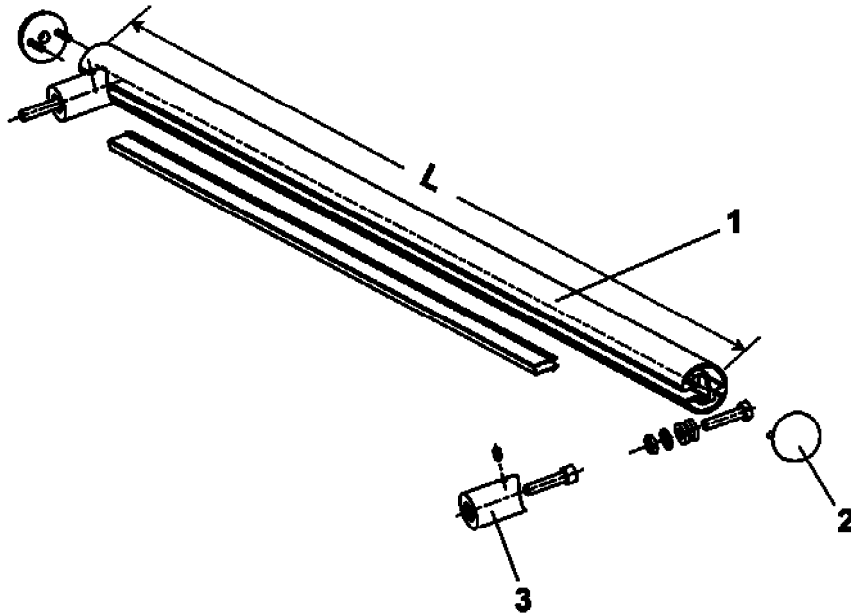
Mirror Bronze	GOLDM
Brushed Bronze	GOLDB
Mirror Stainless	SSM
Brushed Stainless	SSB

AAA24650B				
REF. No.	PART No.	L (mm)	# of STANDOFF	DESCRIPTION
1	MAA139V1-__	1866	3	Assembly, Handrail
	MAA139V2-__	1300	2	
	MAA139V3-__	985		
	MAA139V4-__	1134		
	MAA139V5-__	1337		
	MAA139V6-__	1410		
	MAA139V7-__	2172	5	
	MAA139V8-__	2073		
	MAA139V9-__	2225		
	MAA139V10-__	2403		
	MAA139V11-__	2555		
	MAA139V12-__	1561	3	

NOTE: To order a handrail assembly, you must complete the part number by adding the appropriate code for the finish desired, per the table above. For example, a handrail, 2073 mm long with a brushed bronze finish would be ordered as MAA139V8-GOLDB.

STD-B Handrail

17-AAA24650B



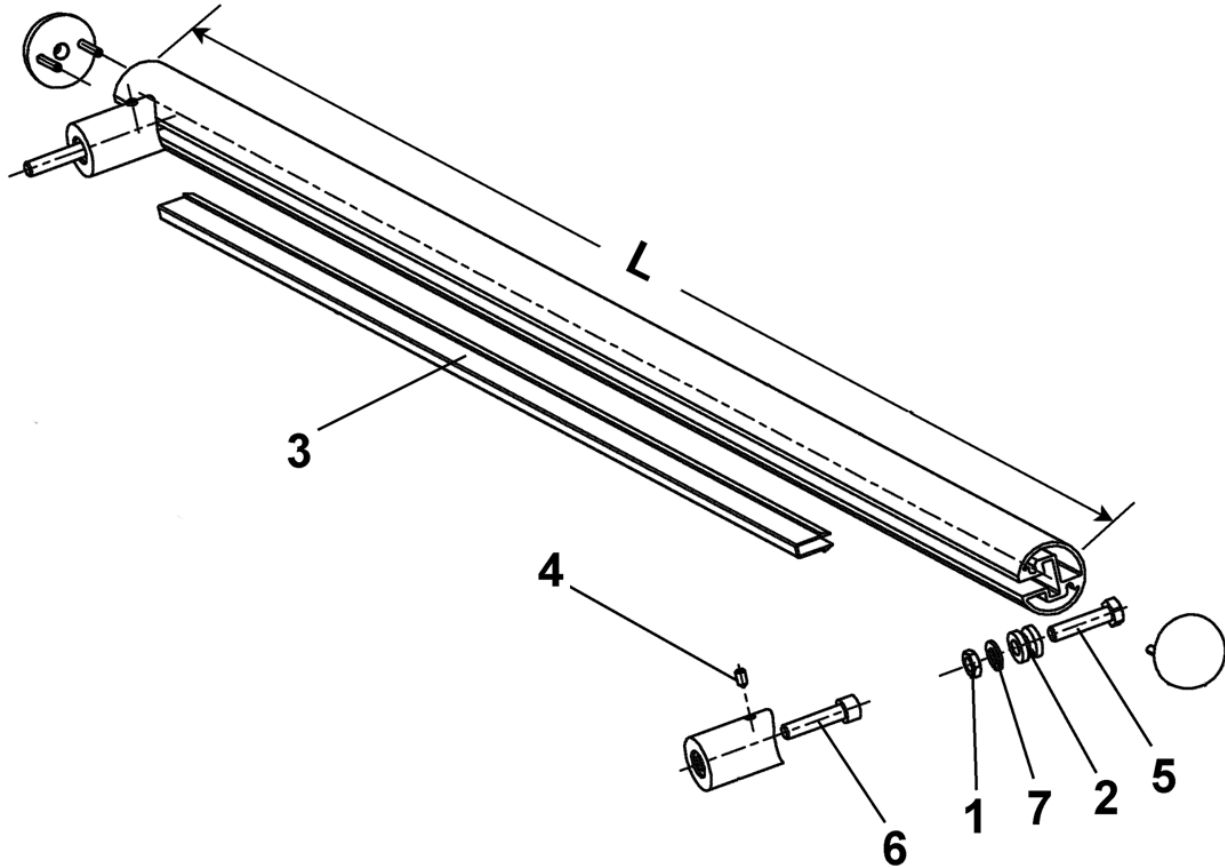
Finish Codes:	
Mirror Bronze	G0LDM
Brushed Bronze	G0LDB
Mirror Stainless	SSM
Brushed Stainless	SSB

AAA24650B			
REF. No.	PART No.	L (mm)	DESCRIPTION
1	AAA139BL1-	1866	Handrail
	AAA139BL2-	1300	
	AAA139BL3-	985	
	AAA139BL4-	1134	
	AAA139BL5-	1337	
	AAA139BL6-	1410	
	AAA139BL7-	2172	
	AAA139BL8-	2073	
	AAA139BL9-	2225	
	AAA139BL10-	2403	
	AAA139BL11-	2555	
	AAA139BL12-	1561	
2	AAA139BM1-G0LDM	Plug, End Cap, Mirrored Bronze	
	AAA139BM1-SSM	Plug, End Cap, Mirrored Stainless	
3	MAA316BEW1-	Standoff	

NOTE: To order a handrail extrusion or standoff, you must complete the part number by adding the appropriate code for the finish desired, per the table above. For example, a handrail, 2073 mm long with a brushed bronze finish would be ordered as AAA139BL8-G0LDB.

17-AAA24650B

STD-B Handrail

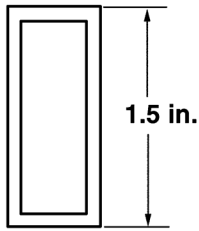


AAA24650B		
REF. No.	PART No.	DESCRIPTION
1	IS04035M8-04-Z	Nut, M8, Thin Hex
2	MAA81BX1	Pin
3	AAA444DP999	Plug, Longitudinal, (order desired length in feet)
4	IS04027M5X8-45-Z	Screw, M5 x 8, Hex Socket Set, Cone Point
5	IS04017M8X35-8.8Z	Screw, M8 x 35, Hex Head
6	IS04762M8X20-8.8Z	Screw, M8 x 20, Socket Head Cap, All Thread
	IS04762M8X35-8.8Z	Screw, M8 x 35, Socket Head Cap, All Thread
7	DIN127B-M8-430HV-Z	Washer, Lock, DIN127 – M8 – Z

17-AAA24650B

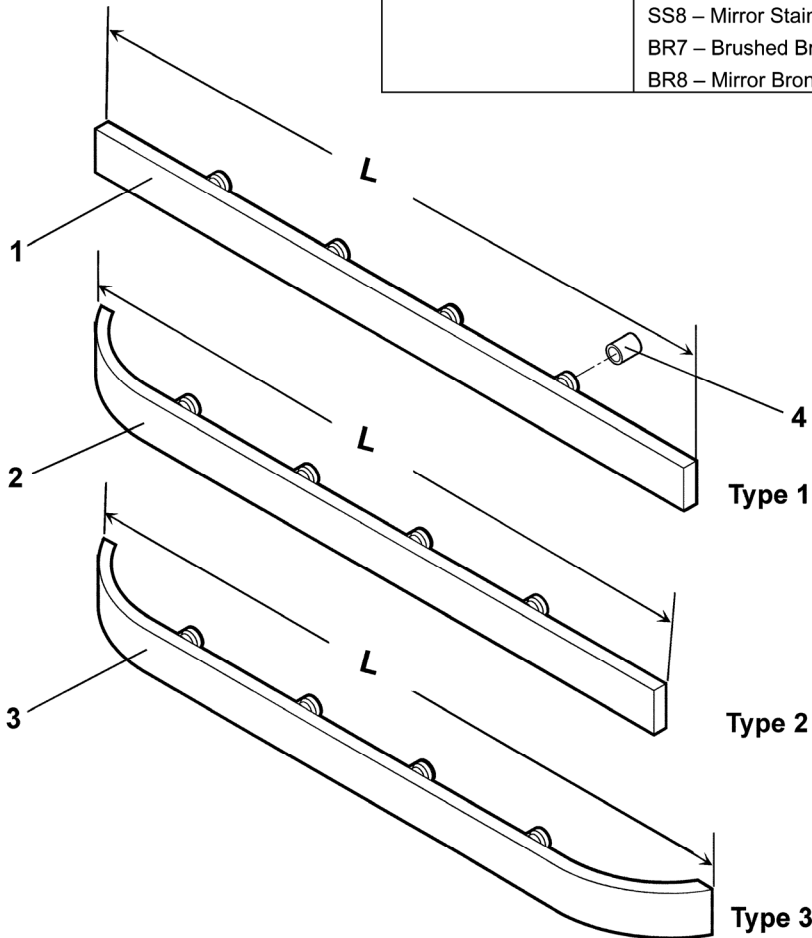
DH-50 Handrail

Please contact OSC with the following information when ordering handrails.



Hollow Construction

Feature	Selection
Length, L	(specify if inches or mm)
Handrail Type	1, 2 or 3 (See below)
Handrail Location	Side or Rear
Elevator Duty	2100 lb., 2500 lb., etc.
Number of Standoffs	2 - 5
Handrail Finish	MF4 – Brushed Stainless Steel SS8 – Mirror Stainless Steel BR7 – Brushed Bronze BR8 – Mirror Bronze



W/O VINTAGE		DESCRIPTION	NOTE
REF. No.	PART No.		
1	---	Handrail, Type AAA139BH (both ends straight)	NOTE
2	---	Handrail, Type AAA139BH (one end curved, the other straight)	
3	---	Handrail, Type AAA139BH (both ends curved)	
4	---	Standoff, Type 322T, Detail on Page 10	

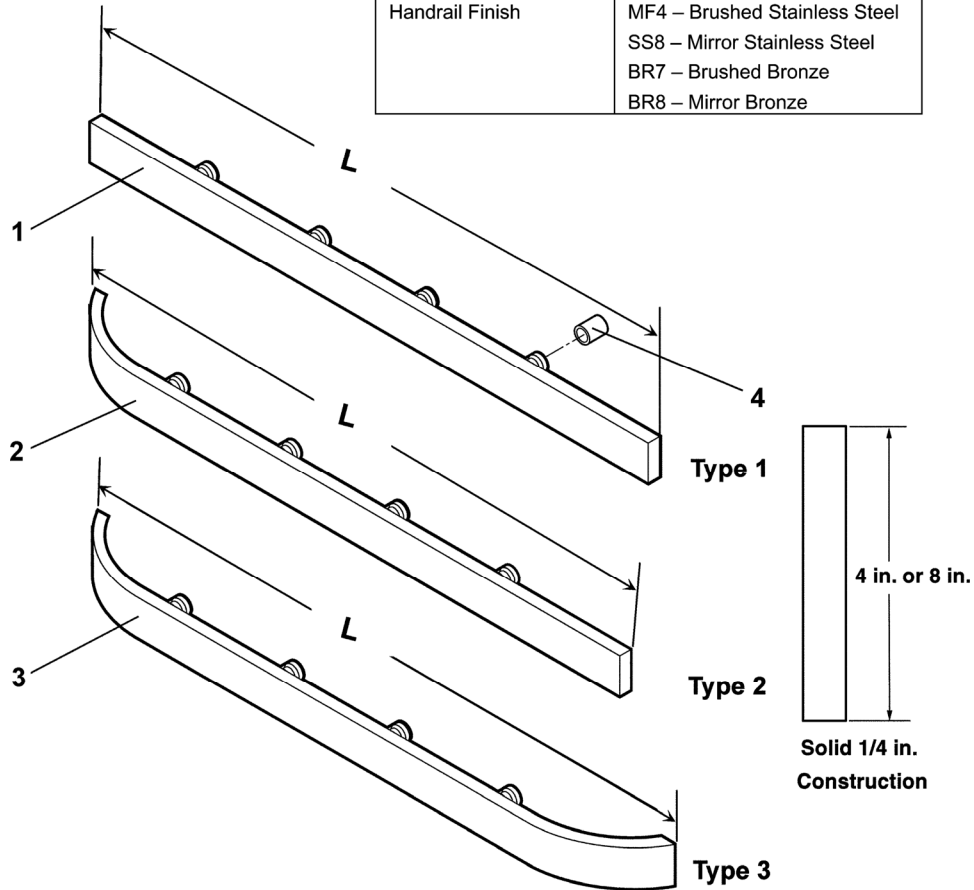
NOTE: Type AAA139BH handrails come in three different end configurations, four material finishes and various finished lengths. To order, contact OSC Customer Service with the information indicated in the table above, based on specific job conditions.



DH-51 Handrail

17-AAA24650B

Please contact OSC with the following information when ordering handrails.

Feature	Selection
Length, L	(specify if inches or mm)
Handrail Type	1, 2 or 3 (See below)
Handrail Width	4" or 8"
Handrail Location	Side or Rear
Elevator Duty	2100 lb., 2500 lb., etc.
Number of Standoffs	2 - 5
Handrail Finish	MF4 – Brushed Stainless Steel SS8 – Mirror Stainless Steel BR7 – Brushed Bronze BR8 – Mirror Bronze



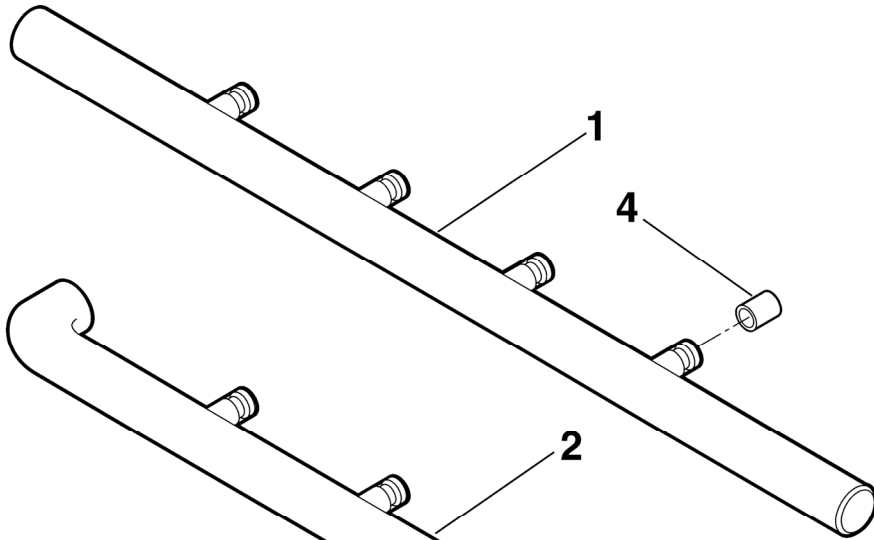
W/O VINTAGE			
REF. No.	PART No.	DESCRIPTION	
1	---	Handrail, Type AAA139BJ (both ends straight)	 NOTE
2	---	Handrail, Type AAA139BJ (one end curved, the other straight)	
3	---	Handrail, Type AAA139BJ (both ends curved)	
4	---	Standoff, Type 322T,  Detail on Page 10	

NOTE: Type AAA139BJ handrails come in three different end configurations, four material finishes and various finished lengths. To order, contact OSC Customer Service with the information indicated in the table above, based on specific job conditions.

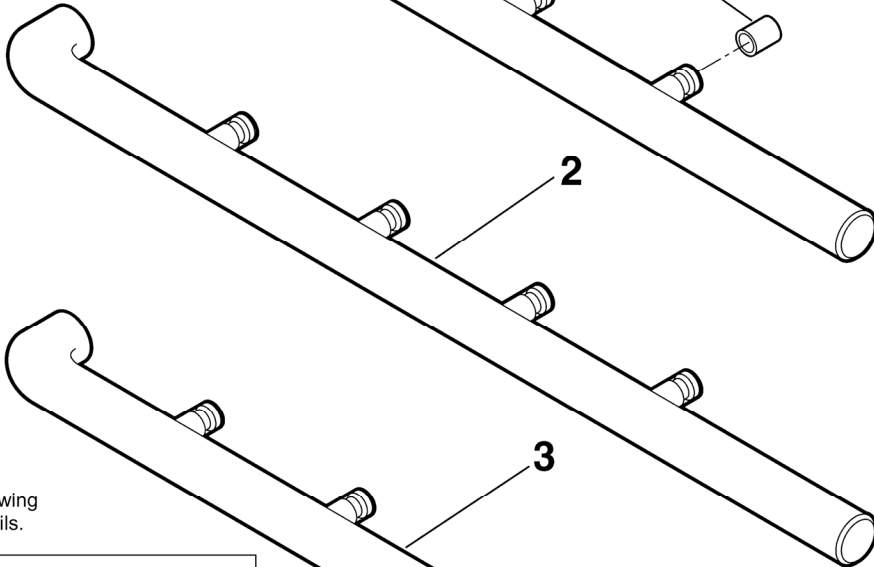
17-AAA24650B

DH-154 Handrail

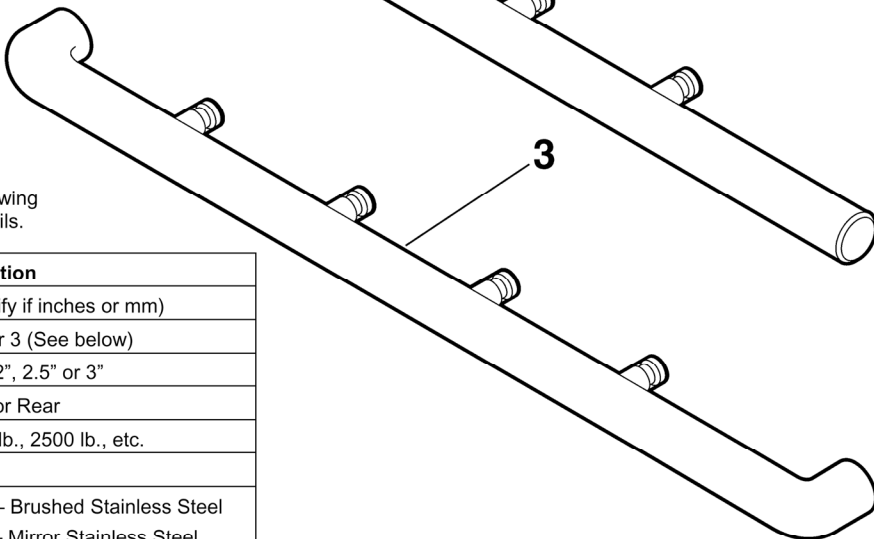
Type 1



Type 2





Type 3



Please contact OSC with the following information when ordering handrails.

Feature	Selection
Length, L	(specify if inches or mm)
Handrail Type	1, 2 or 3 (See below)
Handrail Diameter	1.5", 2", 2.5" or 3"
Handrail Location	Side or Rear
Elevator Duty	2100 lb., 2500 lb., etc.
Number of Standoffs	2 - 5
Handrail Finish	MF4 – Brushed Stainless Steel SS8 – Mirror Stainless Steel BR7 – Brushed Bronze BR8 – Mirror Bronze

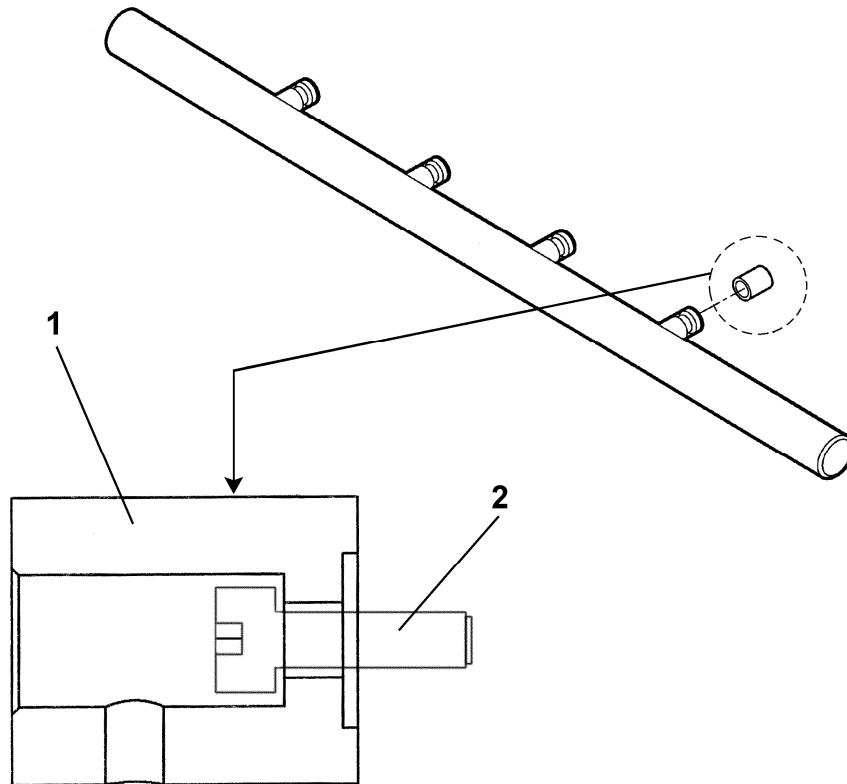
W/O VINTAGE

REF. No.	PART No.	DESCRIPTION	
1	---	Handrail, Type AAA139BF (both ends straight)	 NOTE
2	---	Handrail, Type AAA139BF (one end curved, the other straight)	
3	---	Handrail, Type AAA139BF (both ends curved)	
4	---	Standoff, Type AAA322AJ,  Detail on Page 11	

NOTE: Type AAA139BF handrails come in three different end configurations, four diameters, four material finishes and various finished lengths. To order, contact OSC Customer Service with the information indicated in the table above, based on specific job conditions.

17-AAA24650B

Type 322T Standoff

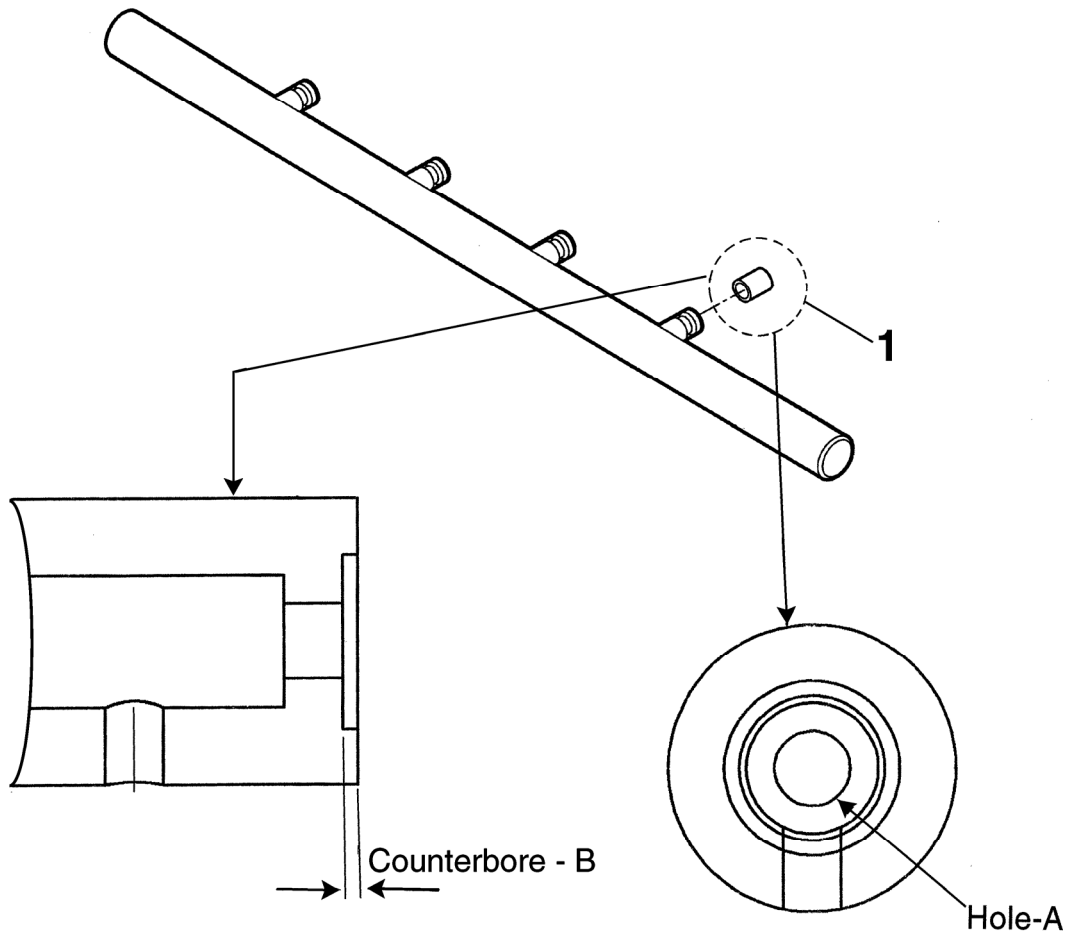


AAA24650B		
REF. No.	PART No.	DESCRIPTION
1	322T4	Standoff, with 1/4-20 x 5/16 Socket Head Set Screw, Stainless Steel 303
	322T5	Standoff, with 1/4-20 x 5/16 Socket Head Set Screw, Bronze
2	ISO4762M8x35-8.8B	Screw, M8 x 35 Hex Socket Head Cap

NOTE: These standoffs are used with the AAA139BH and AAA139BJ handrails.

17-AAA24650B

Type AAA322AJ Standoff



W/O VINTAGE					
REF. No.	PART No.	DESCRIPTION	Hole-A (in.)	Counter Bore-B	Handrail Diameter- C (in.)
1	AAA322AJ5-__	Standoff, Used with DH-154 Handrail	0.32	with	1.5
	AAA322AJ6-__				2.0
	AAA322AJ7-__				2.5
	AAA322AJ8-__				3.0

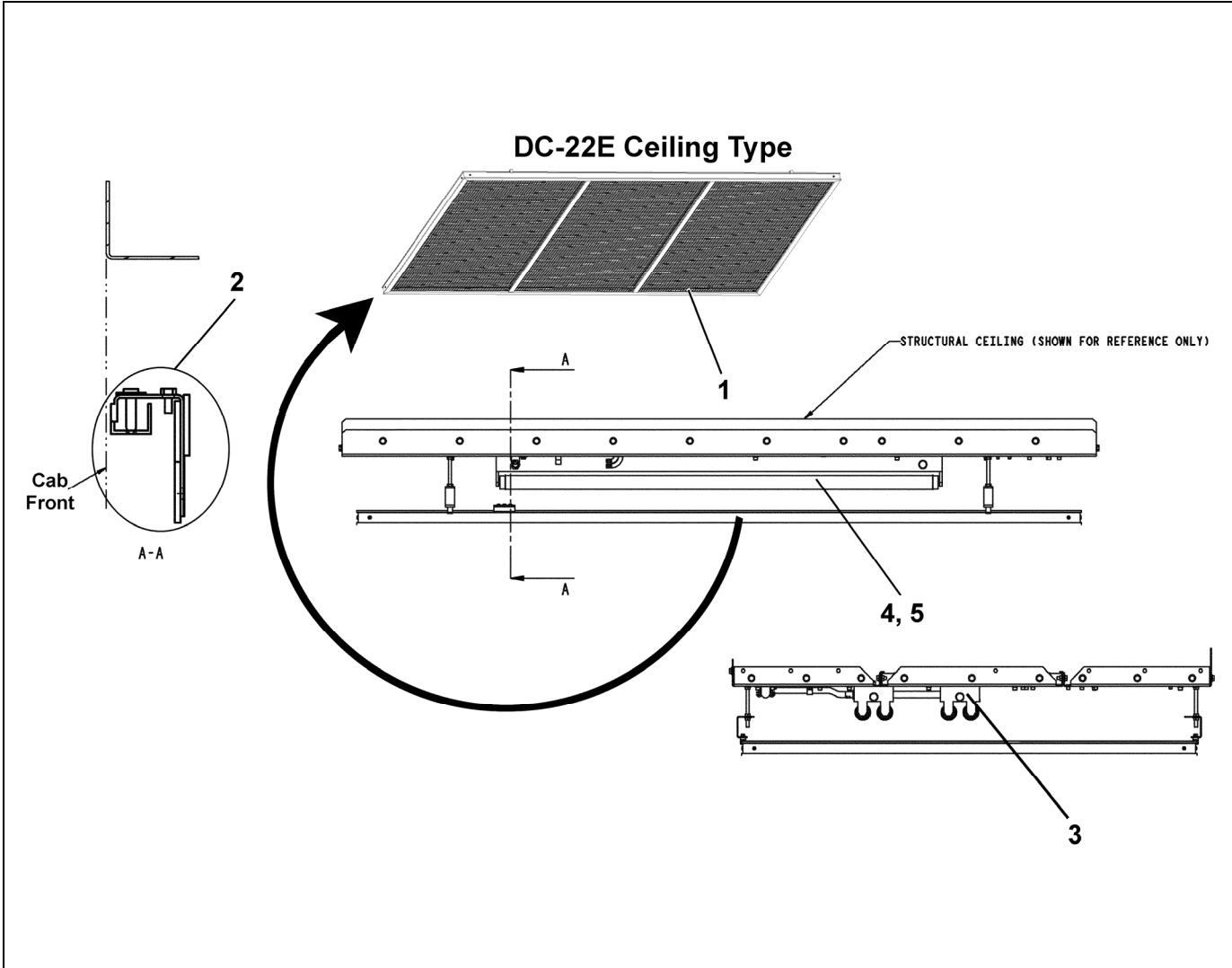
NOTE: For complete part number, add the material finish code as follows:


MF4 = Brushed Stainless Steel; **SS8** = Mirror Stainless Steel

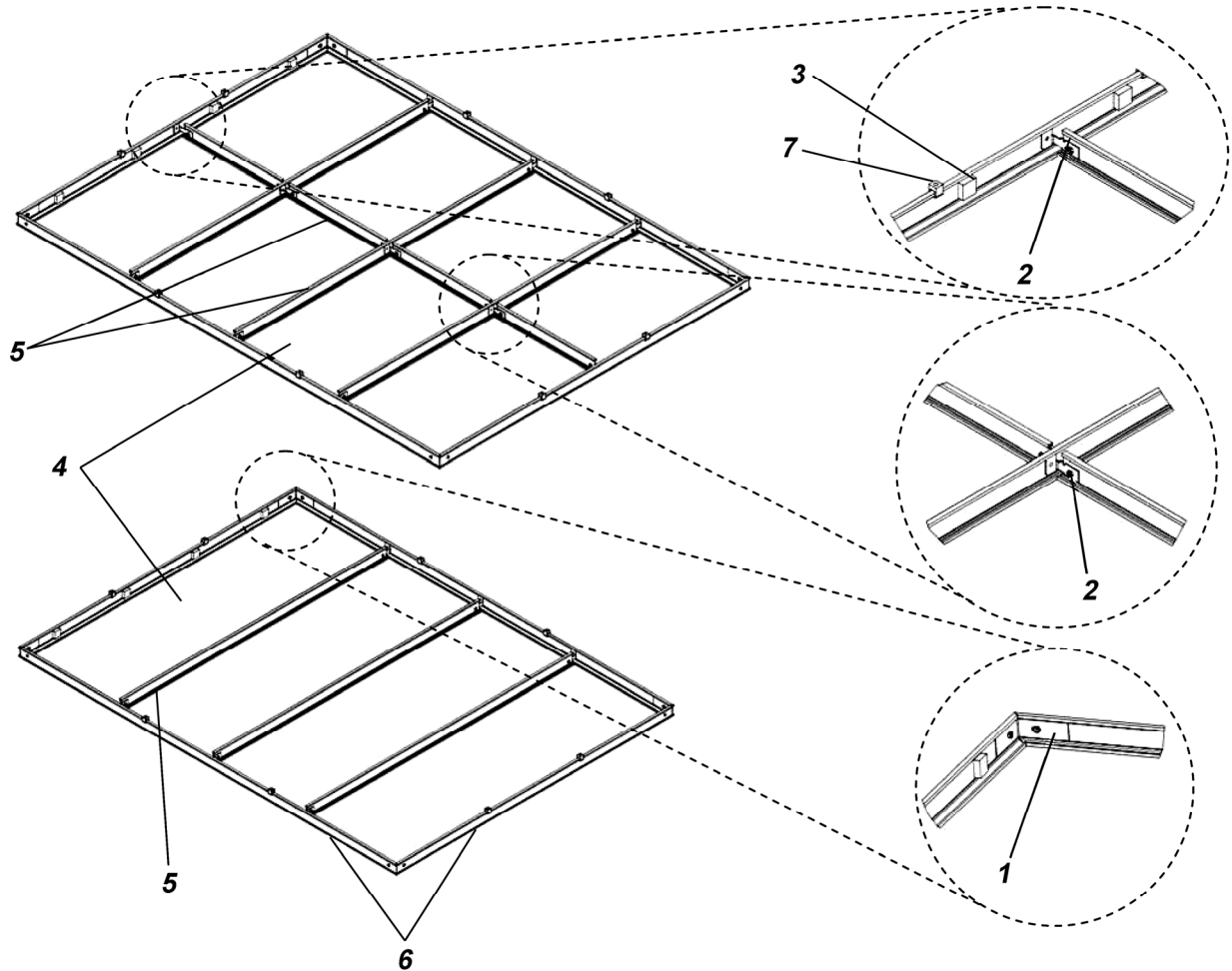
BR7 = Brushed Bronze; **BR8** = Mirror Bronze.


Decorative Ceiling Assembly: DC 22-E

17-AAA24650B



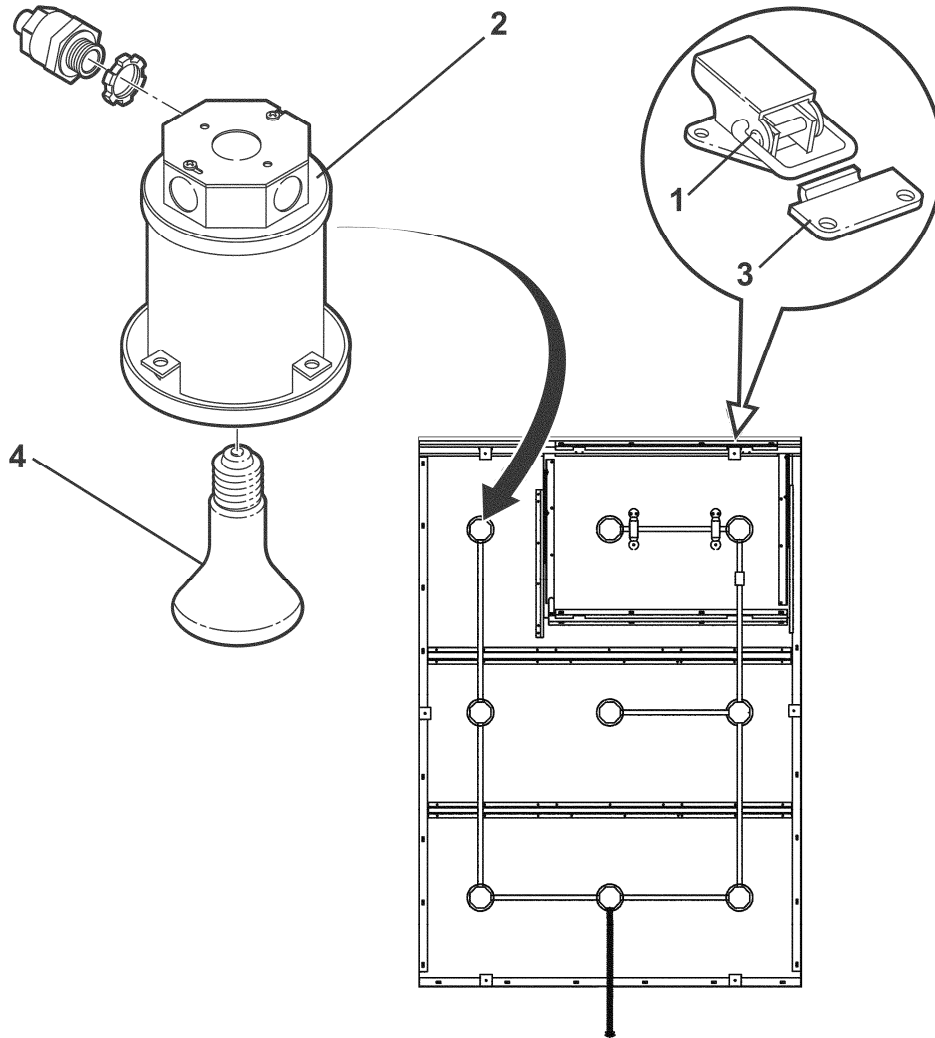
AAA24650B		
REF. No.	PART No.	DESCRIPTION
1	--	DC-22E Decorative Ceiling,  p. 13
2	AAA417CH1	Fixture, Emergency Light, 6 V
3	417CB2	Fixture, Lamp
4	424E17	Lamp, Fluorescent
5	137BA5	Tube, Clear Polycarbonate Sleeve (for ABNE lamp)

17-AAA24650B**DC-22 Decorative Ceiling**

AAA24650B		
REF. No.	PART No.	DESCRIPTION
1	283WW1	Bracket, Corner
2	283WW1	Bracket, Side
3	320CE3	Bumper
4	---	Grille / Louver Panel,  SPL 17-A49BM
5	50AKS-144	Shape, Center Support, Aluminum, 144 in. long (Cut to suit in field)
6	50AKR-144	Shape, Side Frame, Aluminum, 144 in. long (Cut to suit in field)
7	338AP1	Slip Nut

17-AAA24650B

Type ABA24661A with DC-23 & Type AAA24710E Lighting System Suspended Ceiling



AAA24650B		
REF. No.	PART No.	DESCRIPTION
1	AAA331CU1	Clasp, Latch
2	AAA417CM1	Fixture, Light
3	AAA331CU2	Hook, Latch
4	424W1	Lamp, 120 V, 50 W (TUF Skinner)
	424W3	Lamp, 120 V, 30 W (coated)