

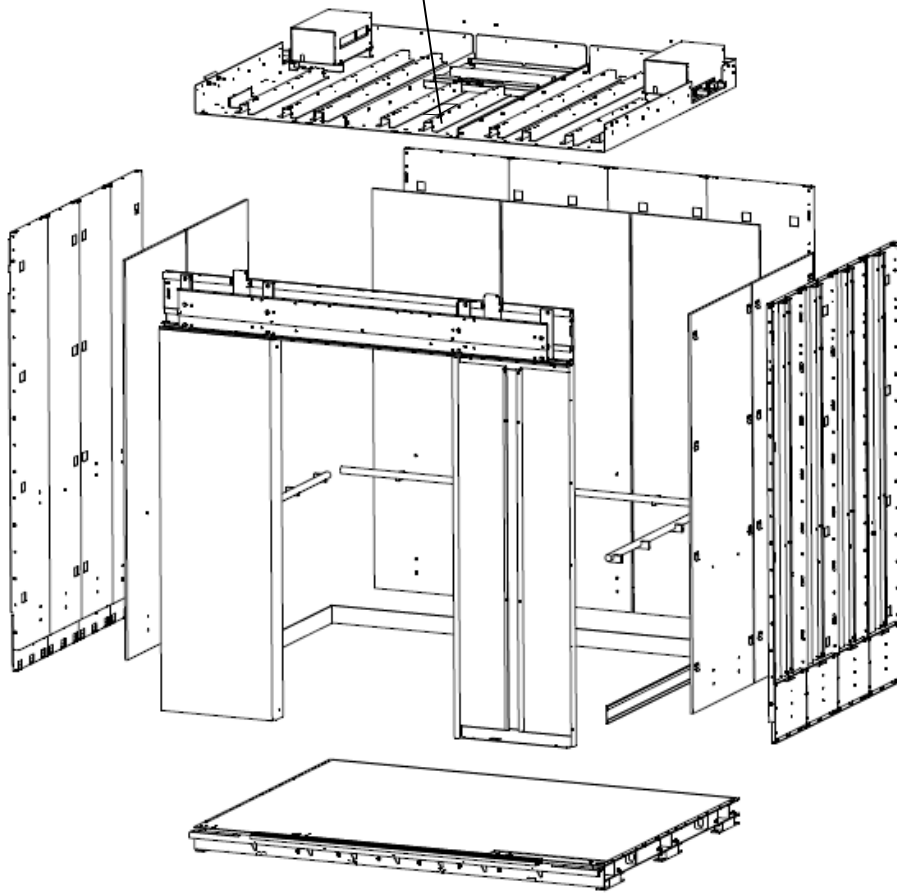
Cab Assembly for Skyrise Systems

Spare Parts Leaflet

17-AAA24650K

November 11, 2014/ Page 1 of 6

17 D - AAA24650K



OTIS

SERVICE ENGINEERING
Otis Elevator Company
Bloomfield, Connecticut USA

Unpublished Work—© Otis Elevator Co.; 2014

Leaflet Description

This leaflet provides parts information for Skyrise cab assembly. The Skyrise system installation began in mid-2013 for NSAA.

Leaflet Revisions

Date Revised	Subject Matter Expert	Reason for Revision
2014-07-23	Daisy Zhang	New SPL

Related Drawings

Drawing No.	Title	Drawing No.	Title
AAA24650K	Generic Cab Assembly	AAA24240H	Platform
AAA24658A	Ceiling	AAA139BZ	DH-155 handrail
AAA139DB	H-156 handrail	AAA139DC	DH-157 handrail
AAA139DD	DH-158 handrail		

Related Documents

Document ID	Title
17-AAA24658A	Ceiling SPL
14-AAA24240H	Platform SPL

Subject Matter Expert

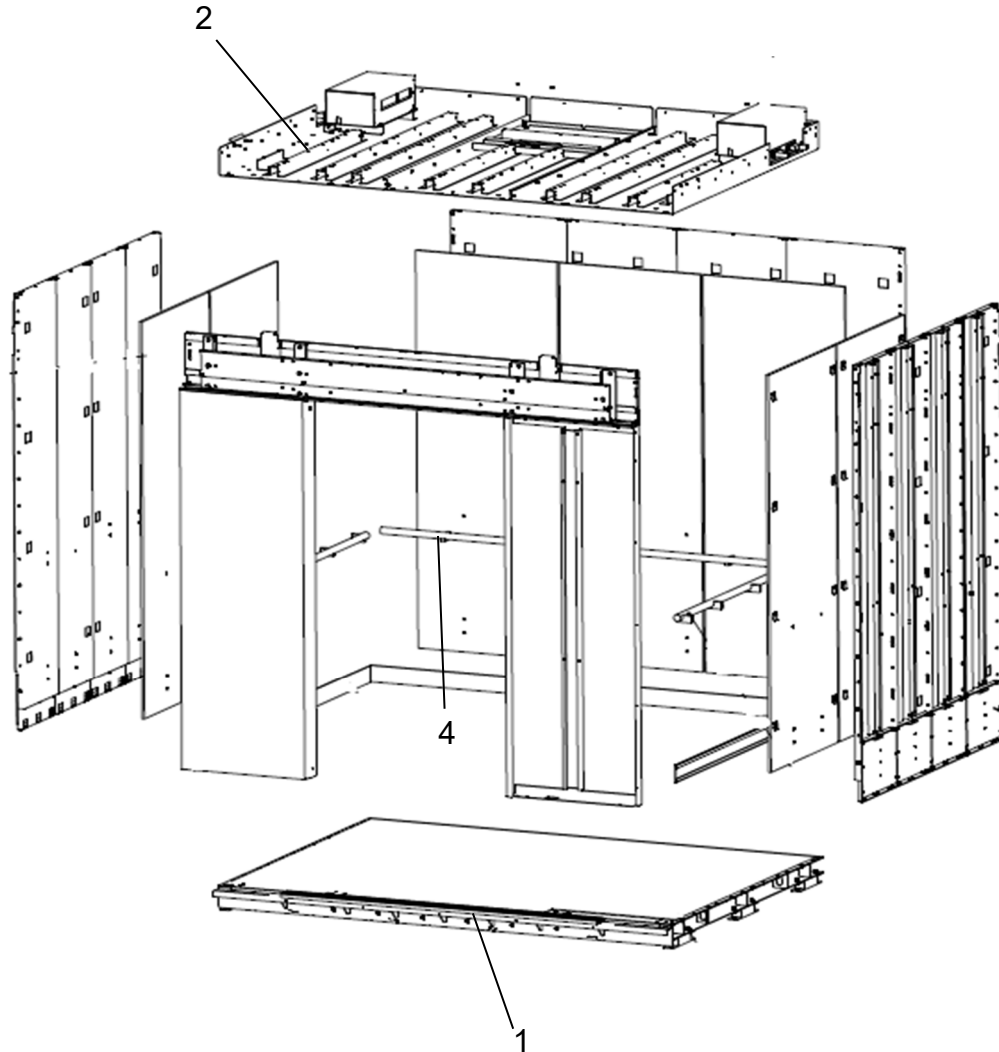
Name	Department
Troy Chicoine	OSC Service Engineering

About Spare Parts Leaflets...

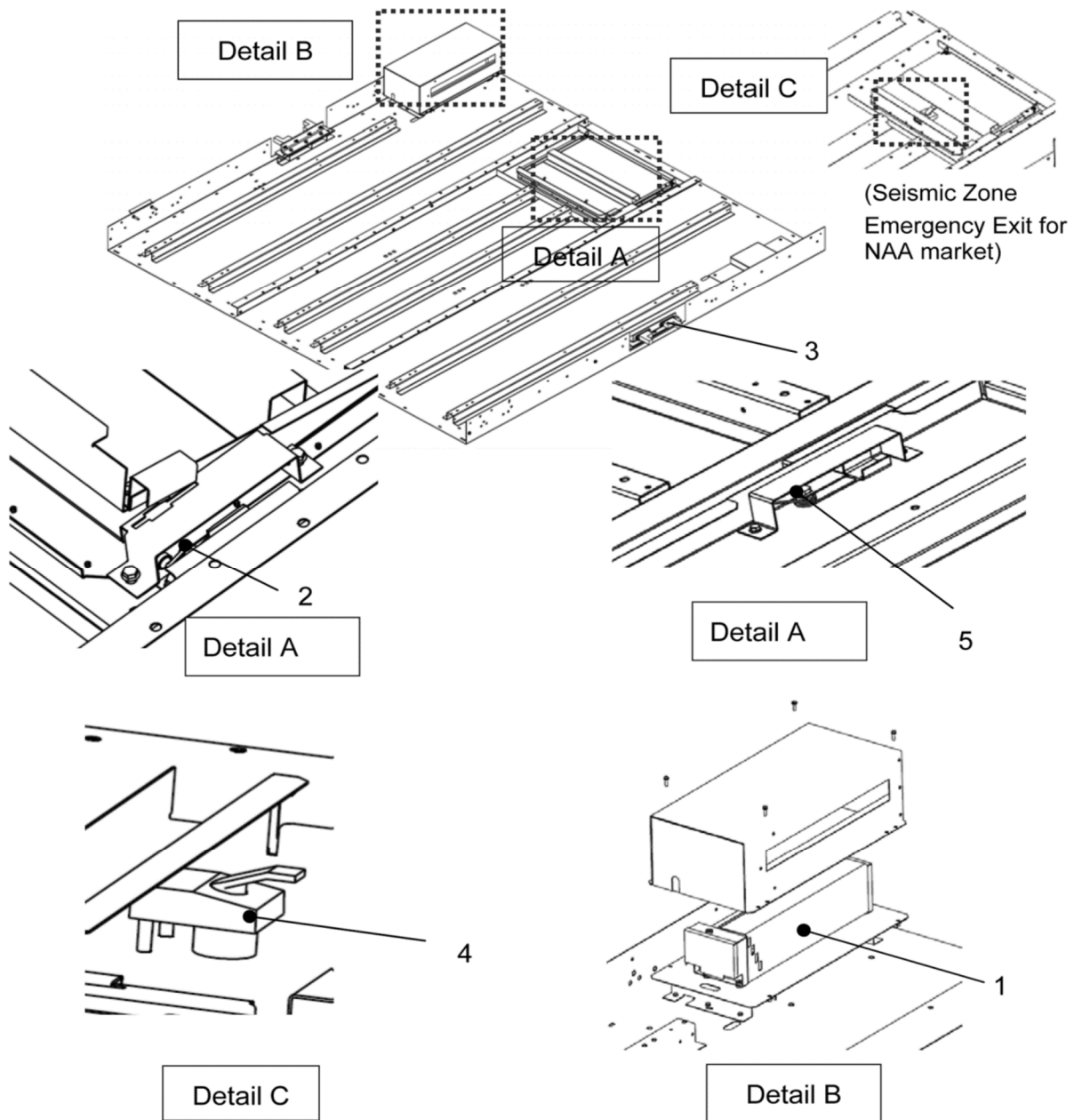
This document lists the lowest replaceable units (LRUs) for the standard version of the product. The LRUs are chosen by a team of Otis associates representing engineering and manufacturing.

While goal of this document is to make parts identification as easy as possible, the document cannot be all-inclusive. Elevator and escalator contracts classified as “special” or “custom” are not addressed here. For such contracts, please refer to specified information, the contract folder, TIPs, Field Education Articles, Construction Letters, etc. for further information.

If you have any suggestions about this document, please contact the subject matter expert listed on this page.



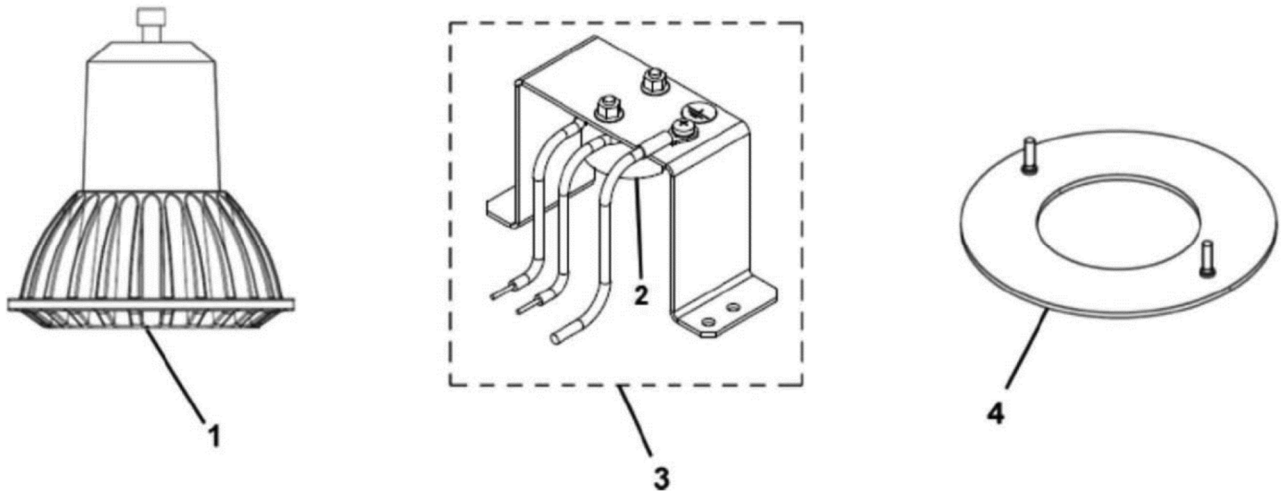
AAA24650K		
REF. No.	PAGE No.	DESCRIPTION
1	---	Threshold and Shim (See SPL 14-AAA24240H)
2	4	Skyrise Structural Ceiling
3	5	Drop Ceiling (Light Bulb, Light Socket, and Ring) (not shown)
4	6	Handrails, In Car



AAA24650K		
REF. No.	PART No.	DESCRIPTION
1	AAA24720S2	Fan, Two-Speed, L =519 mm, Motor Power (W) = 40.0/42.0
2	AAA26900H2	Limit Switch
3	AAA316HQW1	Steady Device, Cab Ceiling
4	AAA431AM2	Lock, 5-Pin, with Two Keys (#3502)
5	FO431AY2	Lock, for EN/GB Code Area

Ceiling & Drop Ceiling Light Bulb, Light Socket, Trim Ring

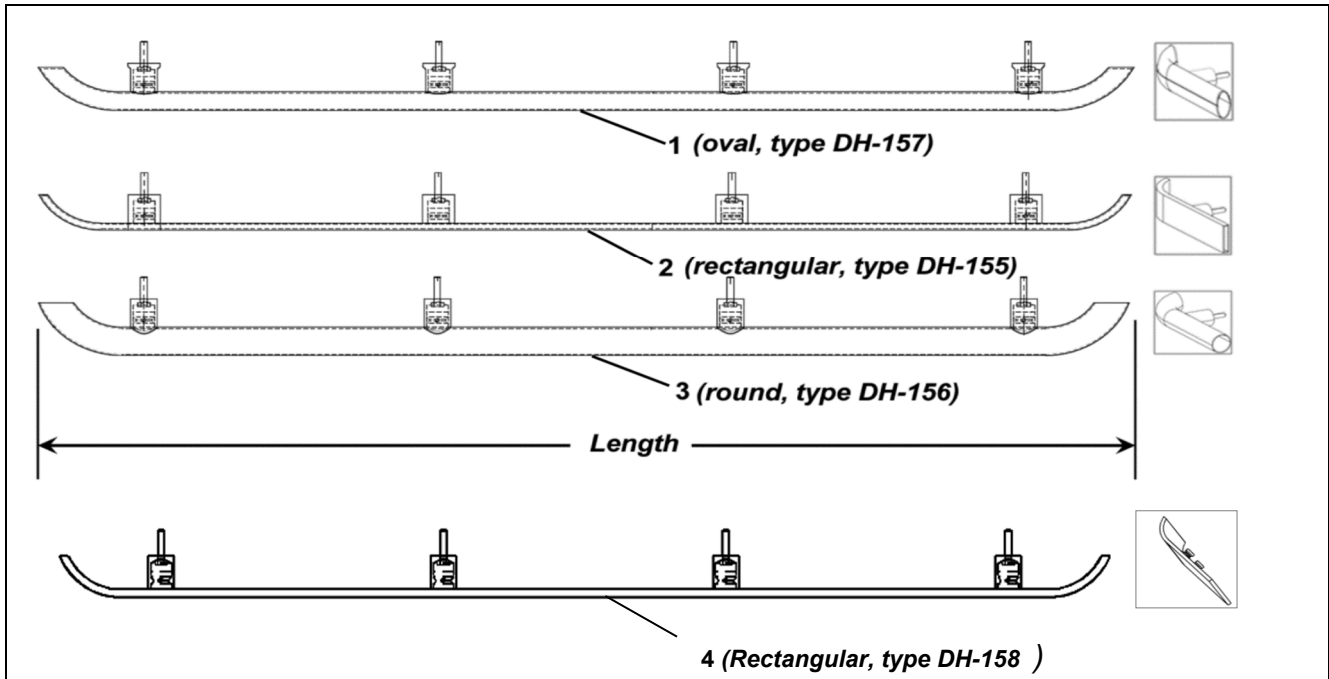
17-AAA24650K



AAA24650K		
REF. No.	PART No.	DESCRIPTION
1	AAA417CX1	Bulb, LED
2	AAA618BD5	Socket, Light
3	AAA458K1	Socket, Light, w/ Frame
4	AAA458H2	Trim Ring

17-AAA24650K

In-Car Handrails, Side



AAA24650K				
REF. No.	PART No.	FINISH	LENGTH	HANDRAIL SHAPE
1	AAA139DC1	304 Brushed steel	1266mm	Oval, DH-157, 24.5 x 50.8 mm
	AAA139DC2		1063mm	
	AAA139DC3		1910mm	
	AAA139DC4		2215mm	
2	AAA139BZ1	304 Brushed steel	1266mm	Rectangular, DH-155, 50.8 x 9.5 mm
	AAA139BZ2		1063mm	
	AAA139BZ3		1910mm	
	AAA139BZ4		2215mm	
3	AAA139DB1	304 Brushed steel	1266mm	Round, DH-156, 38.1 mm (1.5 in.) Diameter
	AAA139DB2		1063mm	
	AAA139DB3		1910mm	
	AAA139DB4		2215mm	
4	AAA139DD1	304 Brushed steel	1266mm	Rectangular, DH-158, 152.4 x 9.5 mm
	AAA139DD2		1063mm	
	AAA139DD3		1910mm	
	AAA139DD4		2215mm	