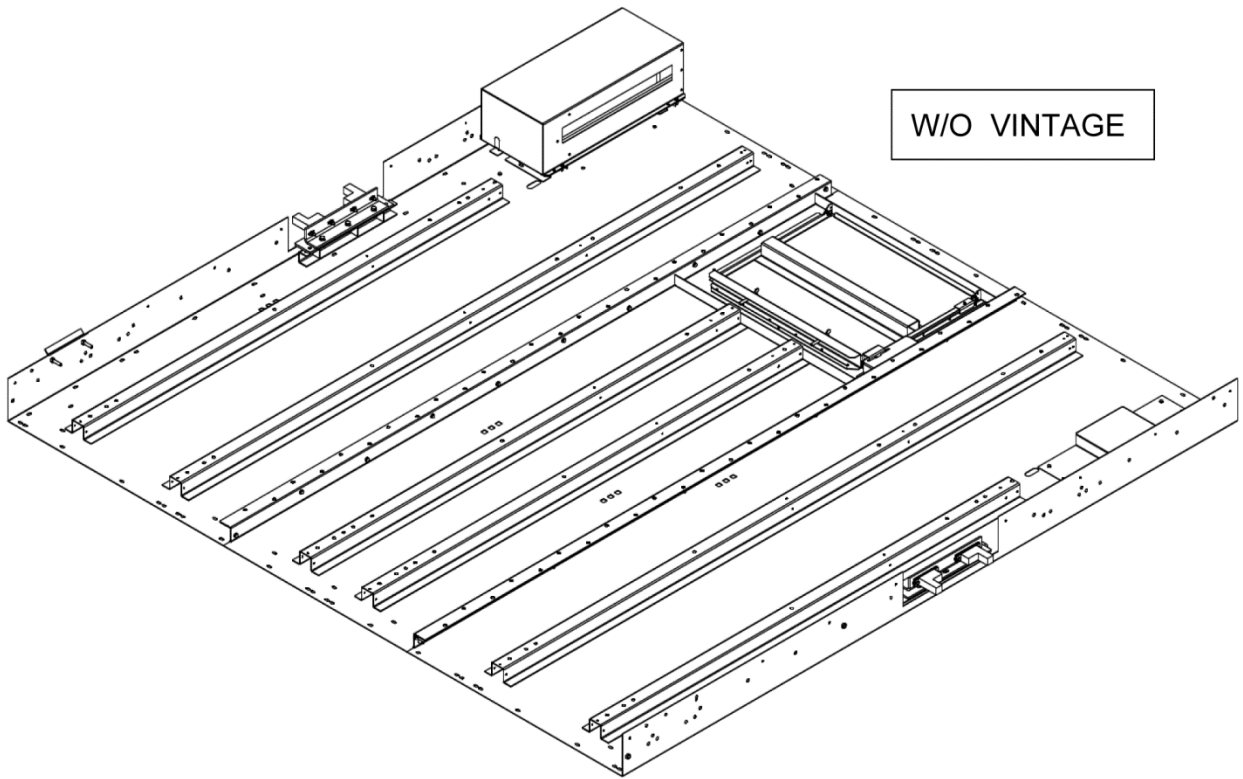


**Ceiling Assembly  
EN/GB**

**Spare Parts Leaflet  
17-AAA24658A**

**June 21, 2023 / Page 1 of 4**



**OTIS**

This document contains technical data  
subject to EAR. ECCN: EAR99

**SERVICE ENGINEERING  
Otis Elevator Company  
Bloomfield, Connecticut USA**

Unpublished Work—© Otis Elevator Co.; 2023

**Leaflet Description**

This SPL listed the lowest replaceable parts for structural ceiling assembly.

**Leaflet Revisions**

<b>Date Revised</b>	<b>Subject Matter Expert</b>	<b>Reason for Revision</b>
March 12, 2014	Enoch Ping	New SPL
December 14, 2016	Troy Chicoine	Added p/n DIN316M8X20_GT_Z on p. 3
June 21, 2023	Juan Murillo	Updated document title

**Related Drawings**

<b>Drawing No.</b>	<b>Title</b>	<b>Drawing No.</b>	<b>Title</b>
AAA24658A	Skyrise Structural Ceiling	AAA24661K	Ceiling, Suspended FC6
AAA24658G	Skyrise Structural Ceiling Middle Panel	---	---

**Related Documents**

<b>Document ID</b>	<b>Title</b>
14-AAA24004A	Crosshead Assembly

**Subject Matter Expert**

<b>Name</b>	<b>Department</b>
Goto, Yasuhiro	SIT High Rise Shanghai

**About Spare Parts Leaflets...**

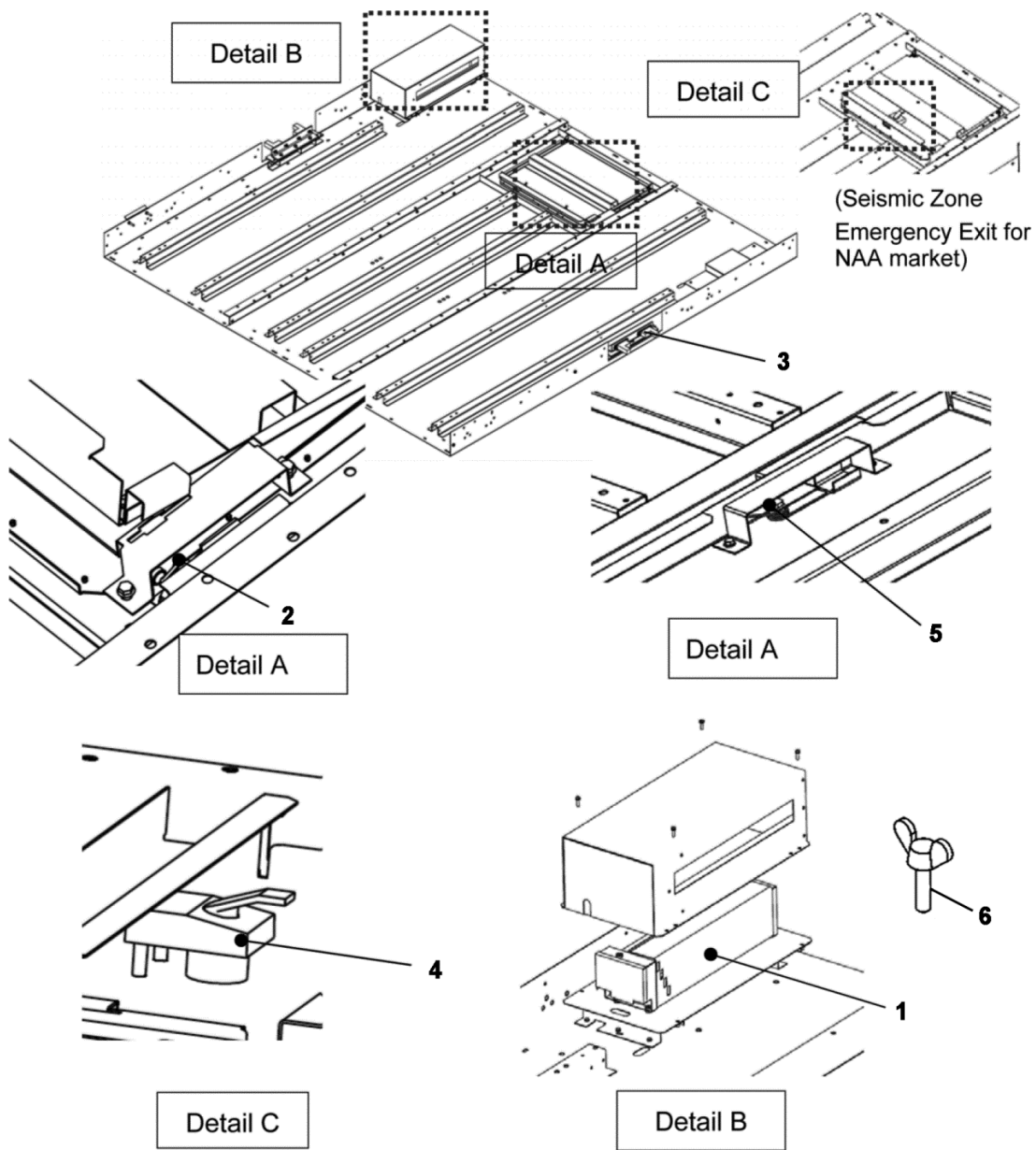
This document lists the lowest replaceable units (LRUs) for the standard version of the product. The LRUs are chosen by a team of Otis associates representing engineering and manufacturing.

While goal of this document is to make parts identification as easy as possible, the document cannot be all-inclusive. Elevator and escalator contracts classified as “special” or “custom” are not addressed here. For such contracts, please refer to specified information, the contract folder, TIPs, Field Education Articles, Construction Letters, etc. for further information.

If you have any suggestions about this document, please contact the subject matter expert listed on this page.

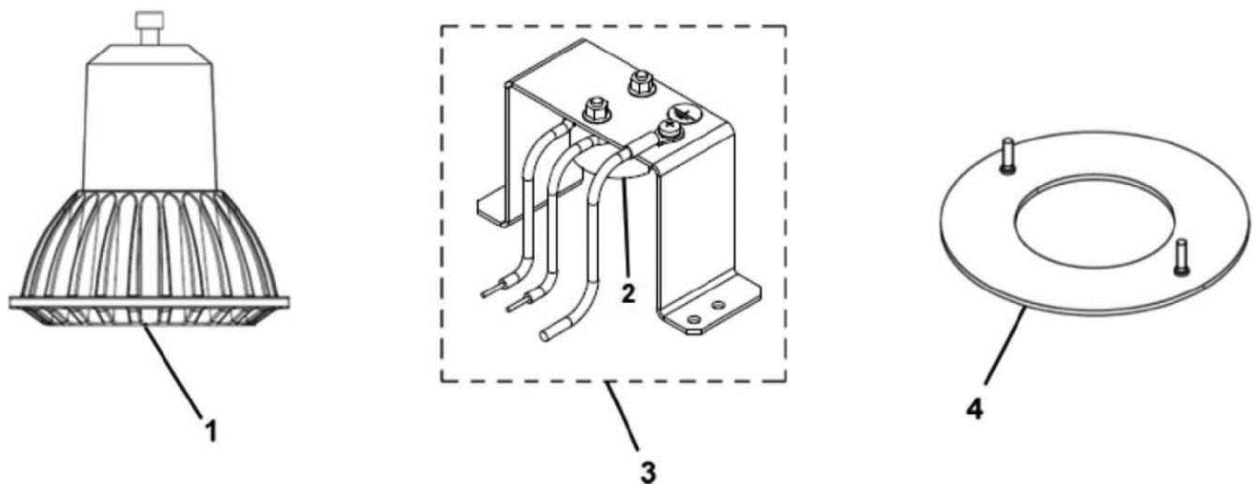
# Skyrise Structural Ceiling

**17-AAA24658A**



<b>VINTAGE</b>		
<b>REF. No.</b>	<b>PART No.</b>	<b>DESCRIPTION</b>
1	AAA24720S2	Fan, Two-Speed, L =519 mm, Motor Power (W) = 40.0/42.0
2	AAA26900H2	Limit Switch
3	AAA316HQW1	Steady Device, Cab Ceiling
4	AAA431AM2	Lock, 5-Pin, with Two Keys (#3502)
5	FO431AY2	Lock, for EN/GB Code Area
6	DIN316M8X20_GT_Z	Screw, Wing, M8X20, Zinc Plated

**Ceiling and Drop Ceiling  
Light Bulb, Light Socket, Trim Ring**



	<b>VINTAGE</b>	
<b>REF. No.</b>	<b>PART No.</b>	<b>DESCRIPTION</b>
1	AAA417CX1	Bulb, LED
2	AAA618BD5	Socket, Light
3	AAA458K1	Socket, Light, w/ Frame
4	AAA458H2	Trim Ring