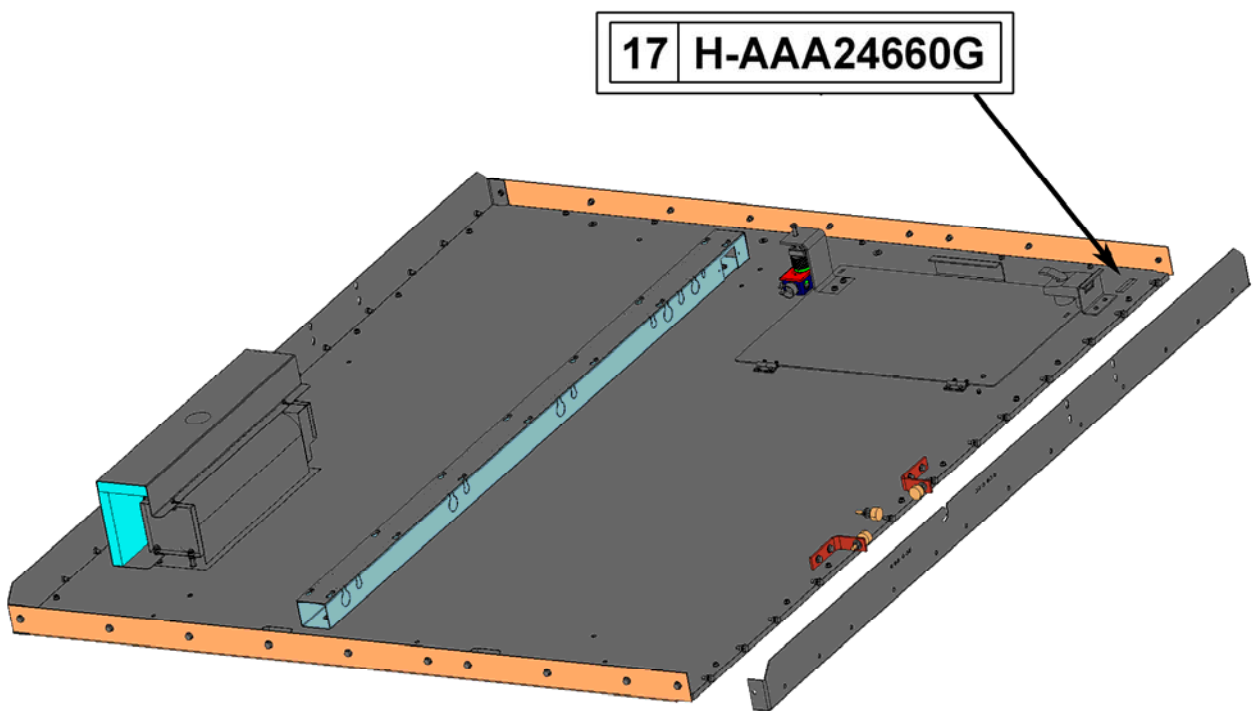


Gen2<sup>®</sup> R2 ED  
Structural Ceiling  
Subsystem Assembly

Spare Parts Leaflet

17-AAA24660G

August 3, 2011 / Page 1 of 4



Unpublished Work—© Otis Elevator Co.; 2011

**OTIS**

Safety First!

SERVICE ENGINEERING  
Otis Elevator Company  
Bloomfield, Connecticut USA

## Leaflet Description

This leaflet details the spare parts information for Gen2® R2 Extended Duty (ED) structural ceiling subsystem assembly. The Gen2 R2 ED system installation began in the mid- and late 2003 for NSAA.

### Leaflet Revisions

Date Revised	Subject Matter Expert	Reason for Revision
October 30, 2004	Jeff Smith	New SPL
August 3, 2011	Troy Chicoine	p.3 add part AAA6098NS1

### Related Drawings

Drawing No.	Title	Drawing No.	Title
AAA24660G	Gen2 R2 ED Structural Ceiling: Ceiling Subsystem Assembly	---	---
---	---	---	---

### Related Documents

Document ID	Title
<a href="#">SPL 17-AAA24650B</a>	Cab Assembly for Gen2® Systems
---	---

### Subject Matter Expert

Name	Department
Troy Chicoine	OSC Service Engineering

### About Spare Parts Leaflets...

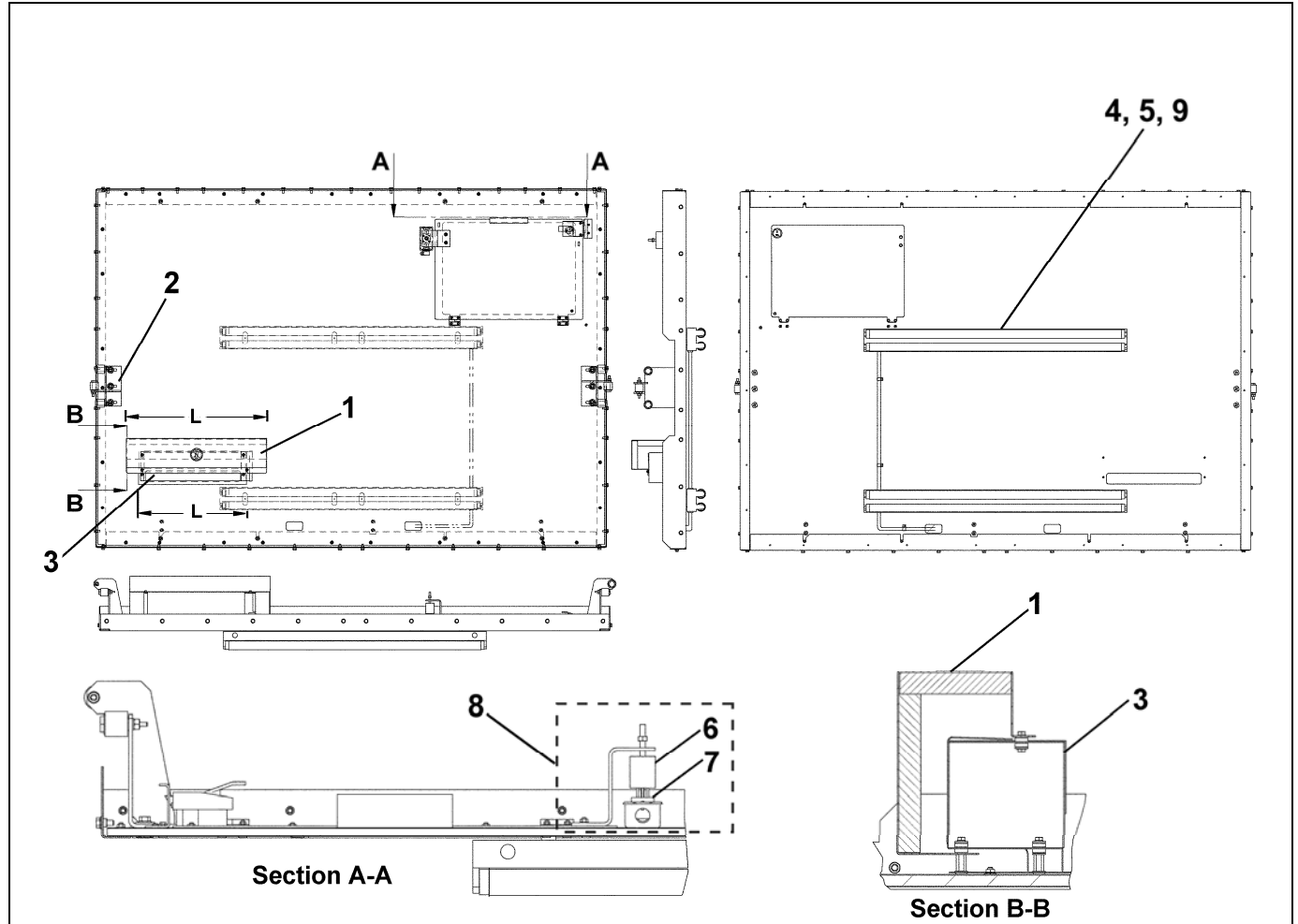
This document lists the lowest replaceable units (LRUs) for the standard version of the product. The LRUs are chosen by a team of Otis associates representing engineering and manufacturing.

While goal of this document is to make parts identification as easy as possible, the document cannot be all-inclusive. Elevator and escalator contracts classified as “special” or “custom” are not addressed here. For such contracts, please refer to specified information, the contract folder, TIPs, Field Education Articles, Construction Letters, etc. for further information.

If you have any suggestions about this document, please contact the subject matter expert listed on this page.

# Ceiling Subsystem Assembly

17-AAA24660G

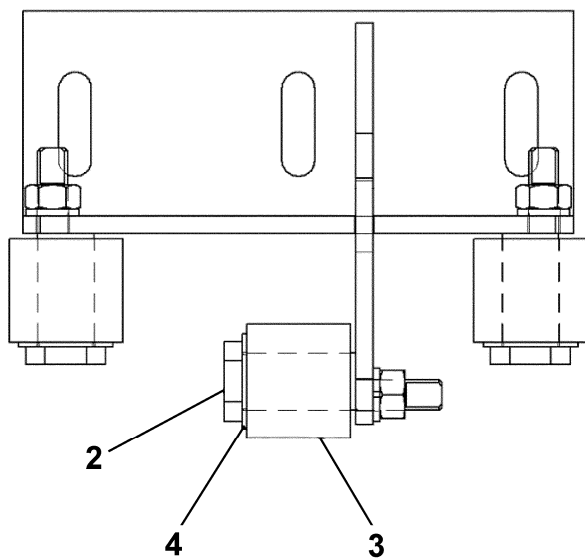
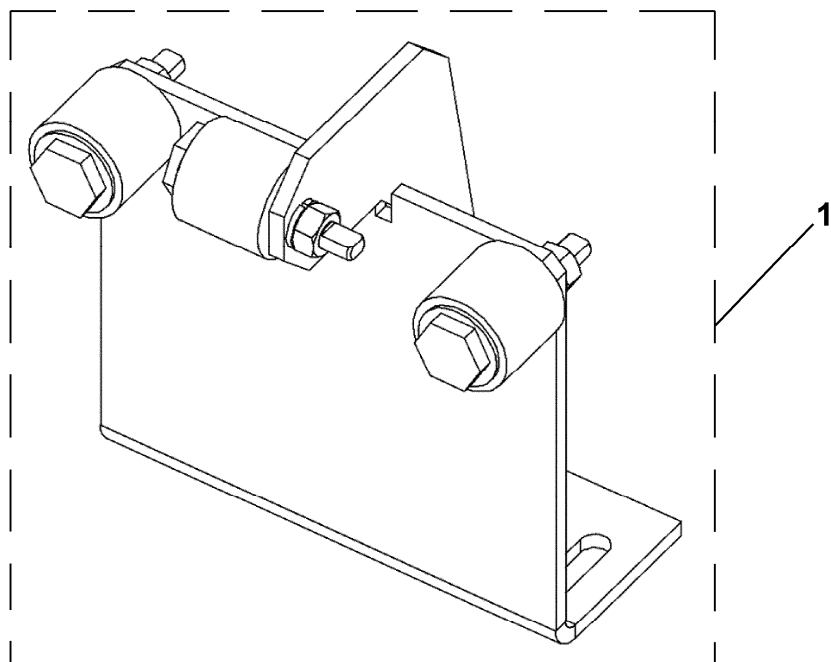


REF. No.	PART No.	DESCRIPTION
	AAA24660G	
1	AAA308WD1	Box, L = 555 mm, Used with AAA24720S1
	AAA308WD5	Box, L = 650 mm, Used with AAA24720S2
2	ABA316GXR1	Bracket Assembly, Cab Steadier, See Page 4
3	AAA24720S1	Fan, Two Speed, L = 425 mm, Motor Power (W) = 30.0/36.0
	AAA24720S2	Fan, Two Speed, L = 519 mm, Motor Power (W) = 40.0/42.0
4	417CB2	Fixture, Lighting
5*	424E17	Lamp
6	176DE2	Plug
7	618AD1	Socket, Electrical
8	AAA6098NS1	Switch, Exit
9*	137BA5	Tube, Non-Metallic

\* Showing location only.

17-AAA24660G

# Cab Steadier Bracket Assembly



REF. No.	PART No.	DESCRIPTION
1	AAA24660G	
1	ABA316GXR1	Assembly, Cab Steadier Bracket
2	AAA81NC1	Pin
3	137AD1	Tube
4	127VB182	Washer