

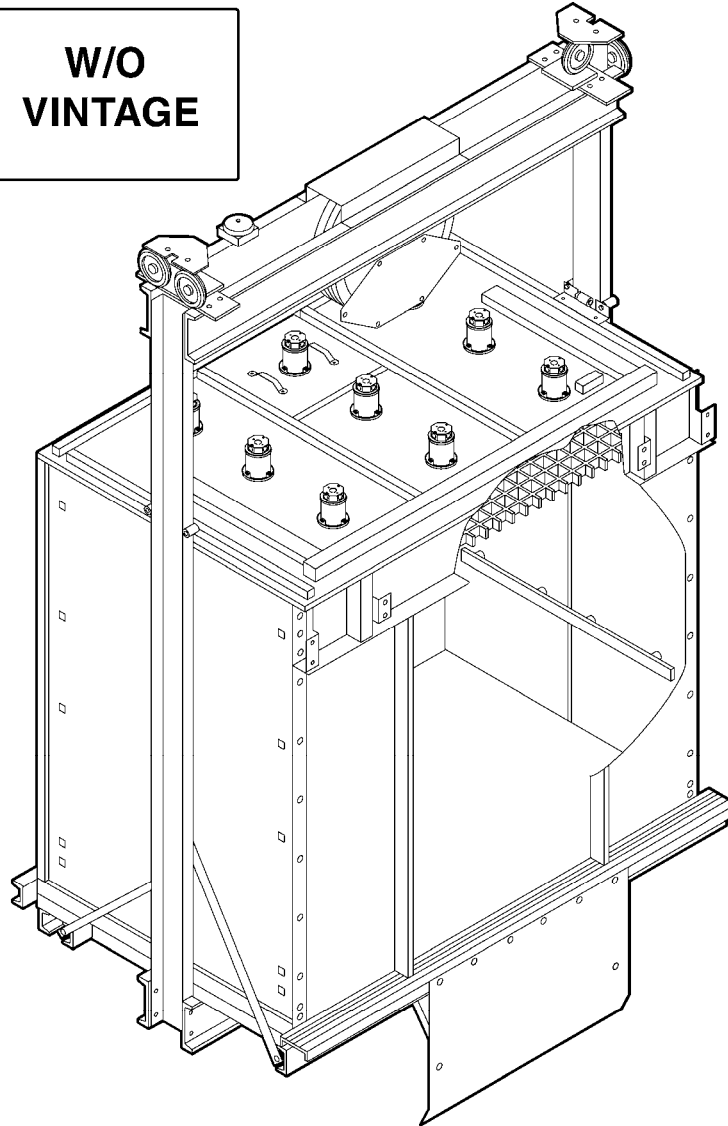
Cab Assembly: Series
1, 2 & 3

Spare Parts Leaflet

17-AAA24689D

June 8, 2011 / Page 1 of 21

**W/O
VINTAGE**



Unpublished Work—© Otis Elevator Co., 2011

OTIS

Safety First!

SERVICE ENGINEERING
Otis Elevator Company
Bloomfield, Connecticut USA

Leaflet Description

This leaflet provides spare parts information for AAA24689D cab assembly series 1, 2, and 3.

Leaflet Revisions

Date Revised	Subject Matter Expert	Reason for Revision
October 1, 2000	Duane Stupienski	Spare parts information, new leaflet
November 19, 2001	Duane Stupienski	Update parts information on pp. 10 and 12. Added new LRUs to blower assembly on p. 15
July 16, 2002	Duane Stupienski	Add note on page 8; update parts on pages 11, 15, 18.
October 22, 2007	Troy Chicoine	Added light fixture p/n AAA417CQ1 on p. 12, ref. 2
November 5, 2008	Troy Chicoine	P/n AAA24720T1 was replaced by p/n AAA24720T9 in ref. 2 on p. 15
September 3, 2009	Troy Chicoine	Updated with changed and additional parts/descriptions.
June 8, 2011	Troy Chicoine	Corrected p/n typo on p. 14

Related Drawings

Drawing No.	Title	Drawing No.	Title
AAA24689D	Series 1, 2, & 3 Cab Assembly	AAA6193PZ	Assembly, Side Exit Cab Panel
AAA24661A	Arrangement, Ceiling Suspended	ABA24660C	Ceiling Assembly, Single-Slide & Center-Opening
AAA24661B	Arrangement, Ceiling Suspended	ABA24660D	Ceiling Assembly, Two-Speed
AAA24661C	Arrangement, Ceiling Suspended		

Related Documents

Document ID	Title
31-AAA7155BY	Car Operating Panel: Series 1, 3-Column
31-7155B	Advanced Fixtures – Part, Telephone Cabinet
17-AAA25580A	Top-of-Car Integration Box
17-AAA25580S	Top-of-Car Integration Box for Hydraulic System
17-AAA25580Q	Top-of-Car Integration Box for Traction System
20-AAA24591T	Door Detector Lambda [®] III Emitter, Detector, and Controller

(Continued on next page)

History

17-AAA24689D

Subject Matter Expert

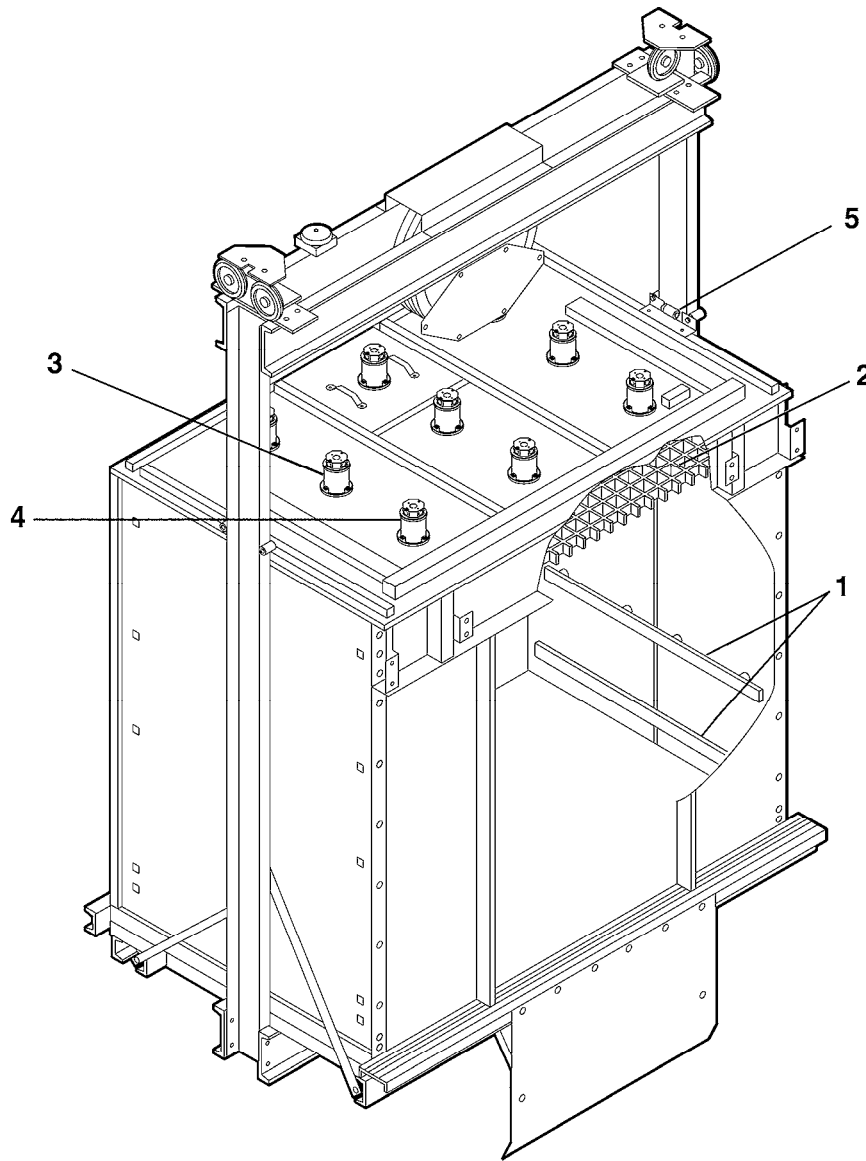
Name	Department
Troy Chicoine	OSC Service Engineering







About Spare Parts Leaflets...

This document lists the lowest replaceable units (LRUs) for the standard version of the product. The LRUs are chosen by a team of Otis associates representing engineering and manufacturing.

While goal of this document is to make parts identification as easy as possible, the document cannot be all-inclusive. Elevator and escalator contracts classified as "special" or "custom" are not addressed here. For such contracts, please refer to specified information, the contract folder, TIPs, Field Education Articles, Construction Letters, etc. for further information.

If you have any suggestions about this document, please contact the subject matter expert listed on this page.

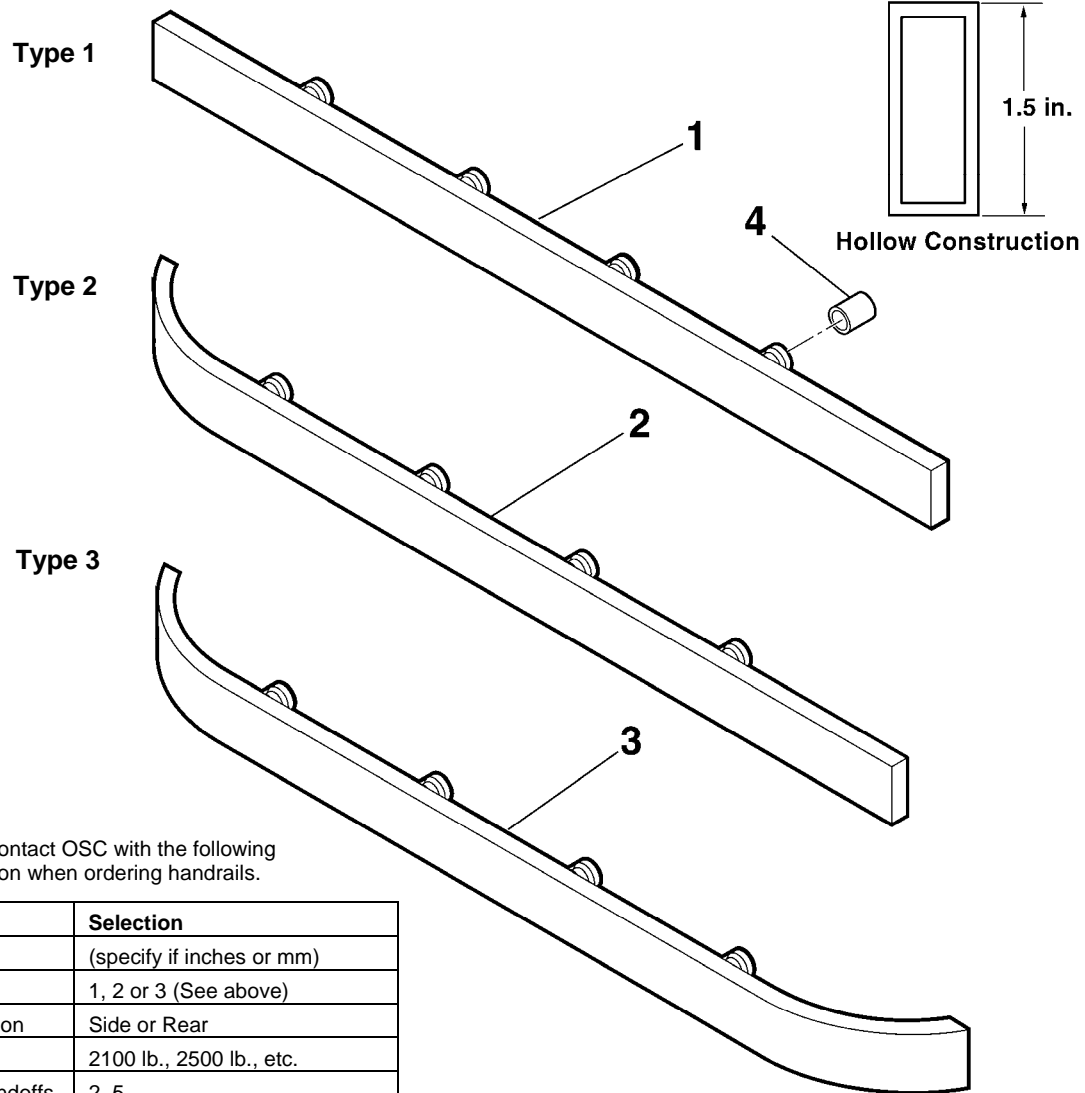


REF. No.	PAGE No.	DESCRIPTION
1	 pp. 5–10	Handrails, Standoffs & Bumper Rails
2	 p. 11	Ceiling Frame, Louvers & Grilles
3	 pp. 12–16	Ceilings & Lighting
4	 pp. 17–19	Canopy, Top of Car, & Emergency Lighting Fixtures
*	 p. 20	Stop Block, Pads, and Pad Hooks
5	 p. 21	Cab Steadier

* Not shown.



DH-50 Handrail

17-AAA24689D



Please contact OSC with the following information when ordering handrails.

Feature	Selection
Length, L	(specify if inches or mm)
Handrail Type	1, 2 or 3 (See above)
Handrail Location	Side or Rear
Elevator Duty	2100 lb., 2500 lb., etc.
Number of Standoffs	2-5
Handrail Finish	MF4 – Brushed Stainless Steel SS8 – Mirror Stainless Steel BR7 – Brushed Bronze BR8 – Mirror Bronze

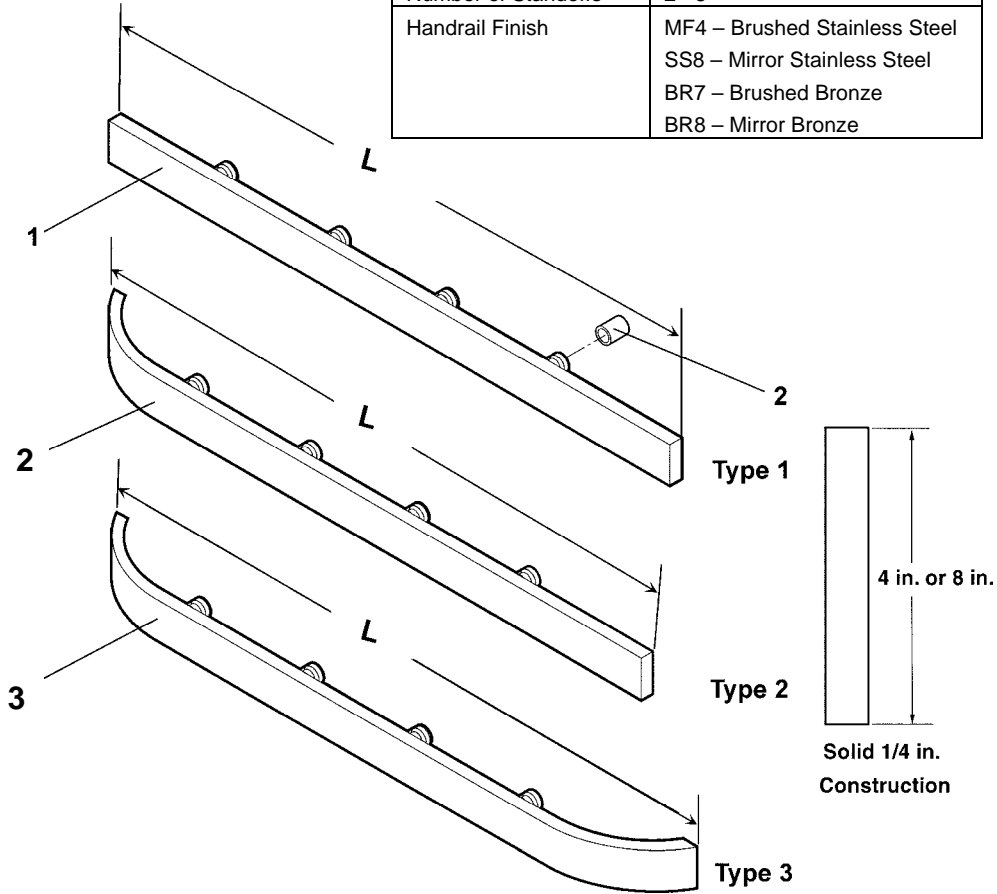
W/O VINTAGE			
REF. No.	PART No.	DESCRIPTION	
1	---	Handrail, Type AAA139BH (both ends straight)	 NOTE
2	---	Handrail, Type AAA139BH (one end curved, the other straight)	
3	---	Handrail, Type AAA139BH (both ends curved)	
4	---	Standoff, Type 322T, 	Detail on Page 9



NOTE: Type AAA139BH handrails come in three different end configurations, four material finishes and various finished lengths. To order, contact OSC Customer Service with the information indicated in the table above, based on specific job conditions.

DH-51 Handrail & Lower Bumper Rail

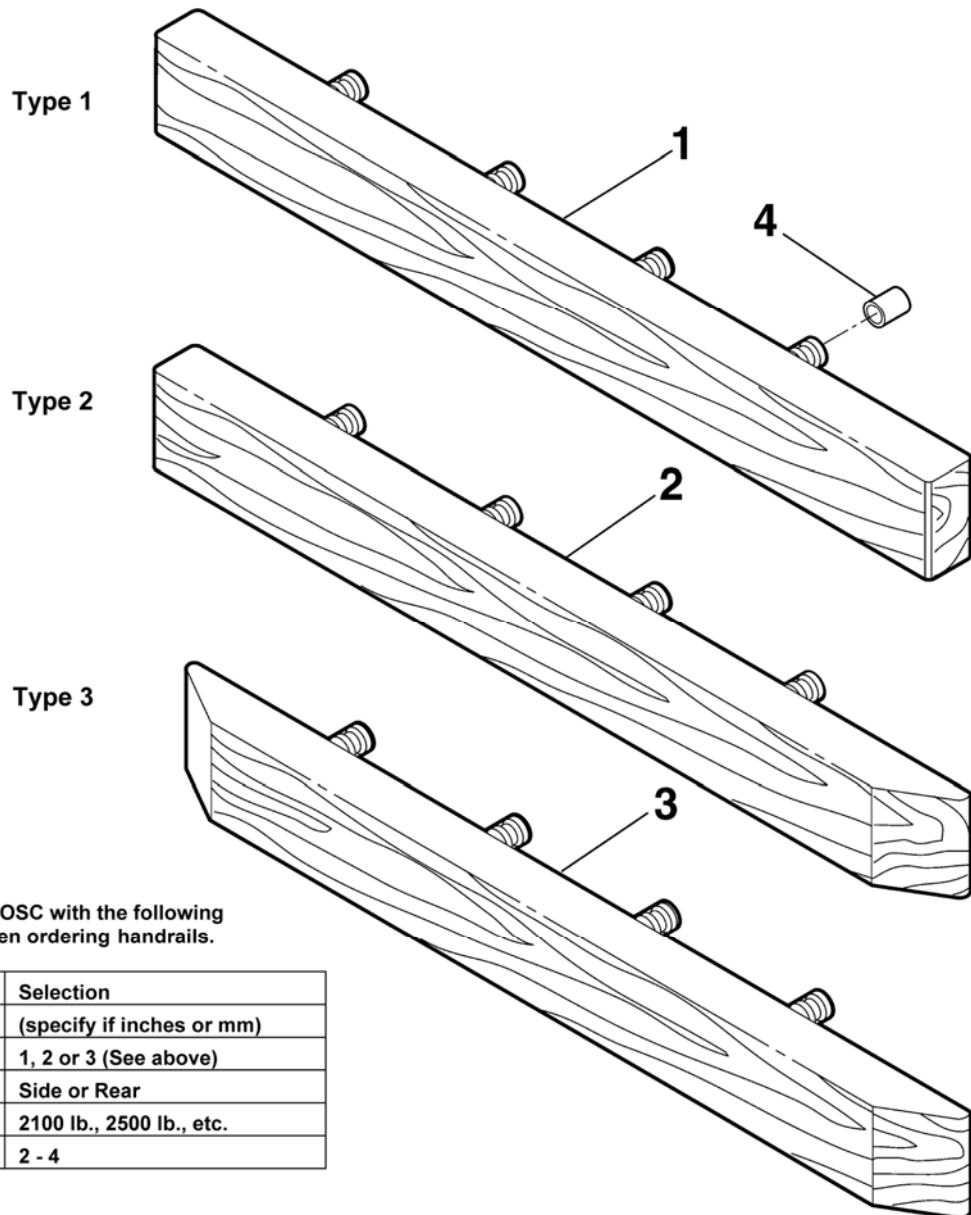
Please contact OSC with the following information when ordering handrails.

Feature	Selection
Length, L	(specify if inches or mm)
Handrail Type	1, 2 or 3 (See below)
Handrail Width	4" or 8"
Handrail Location	Side or Rear
Elevator Duty	2100 lb., 2500 lb., etc.
Number of Standoffs	2 - 5
Handrail Finish	MF4 – Brushed Stainless Steel SS8 – Mirror Stainless Steel BR7 – Brushed Bronze BR8 – Mirror Bronze





W/O VINTAGE		DESCRIPTION	 NOTE
REF. No.	PART No.		
1	---	Handrail/Bumper Rail, Type AAA139BJ (both ends straight)	
2	---	Handrail/Bumper Rail Type AAA139BJ (one end curved, the other straight)	
3	---	Handrail/Bumper Rail Type AAA139BJ (both ends curved)	
4	---	Standoff, Type 322T,  Detail on Page 9	

NOTE: Type AAA139BJ handrails come in three different end configurations, four material finishes and various finished lengths. To order, contact OSC Customer Service with the information indicated in the table above, based on specific job conditions.



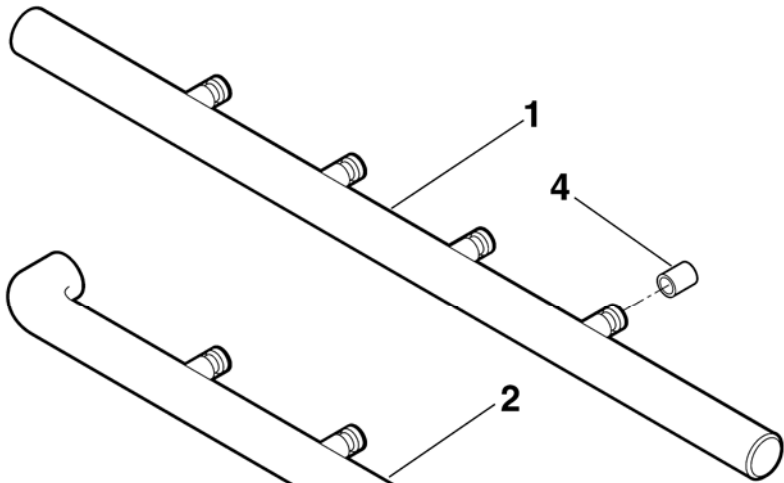
Please contact OSC with the following information when ordering handrails.

Feature	Selection
Length, L	(specify if inches or mm)
Handrail Type	1, 2 or 3 (See above)
Handrail Location	Side or Rear
Elevator Duty	2100 lb., 2500 lb., etc.
Number of Standoffs	2 - 4

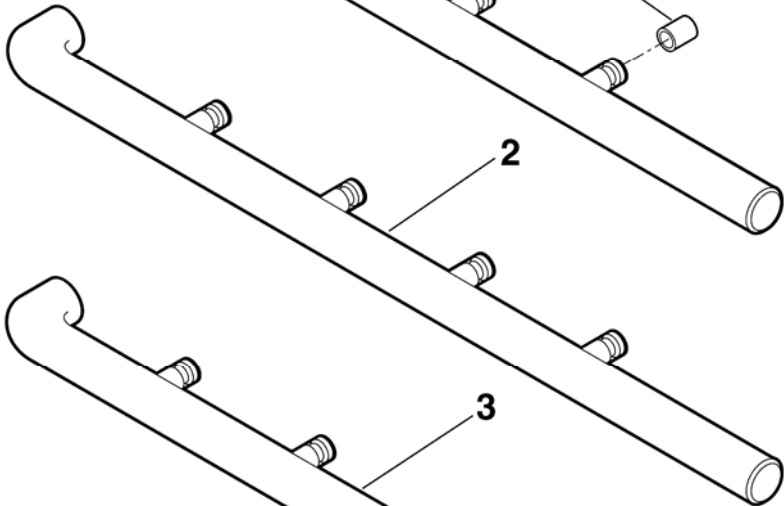
W/O VINTAGE			
REF. No.	PART No.	DESCRIPTION	
1	---	Handrail, Type AAA139BG (both ends straight)	 NOTE
2	---	Handrail, Type AAA139BG (one end angled, the other straight)	
3	---	Handrail, Type AAA139BG (both ends angled)	
4	---	Standoff, Type 322T,  Detail on Page 9	

NOTE: Type AAA139BG handrails come in three different end configurations, various finished lengths and red oak w/ clear lacquer finish. When ordering, specify end conditions, length and number of standoffs, based on specific job conditions.

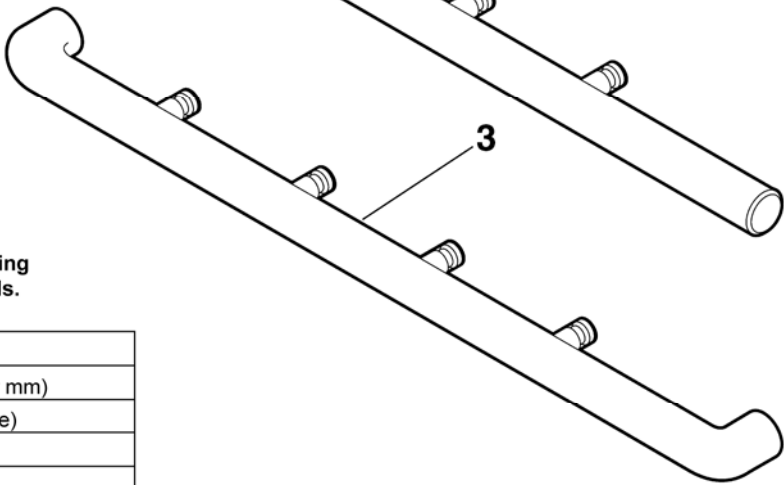
Type 1



Type 2



Type 3



Please contact OSC with the following information when ordering handrails.

Feature	Selection
Length, L	(specify if inches or mm)
Handrail Type	1, 2 or 3 (See above)
Handrail Diameter	1.5", 2", 2.5" or 3"
Handrail Location	Side or Rear
Elevator Duty	2100 lb., 2500 lb., etc.
Number of Standoffs	2 - 5
Handrail Finish	MF4 – Brushed Stainless Steel SS8 – Mirror Stainless Steel BR7 – Brushed Bronze BR8 – Mirror Bronze

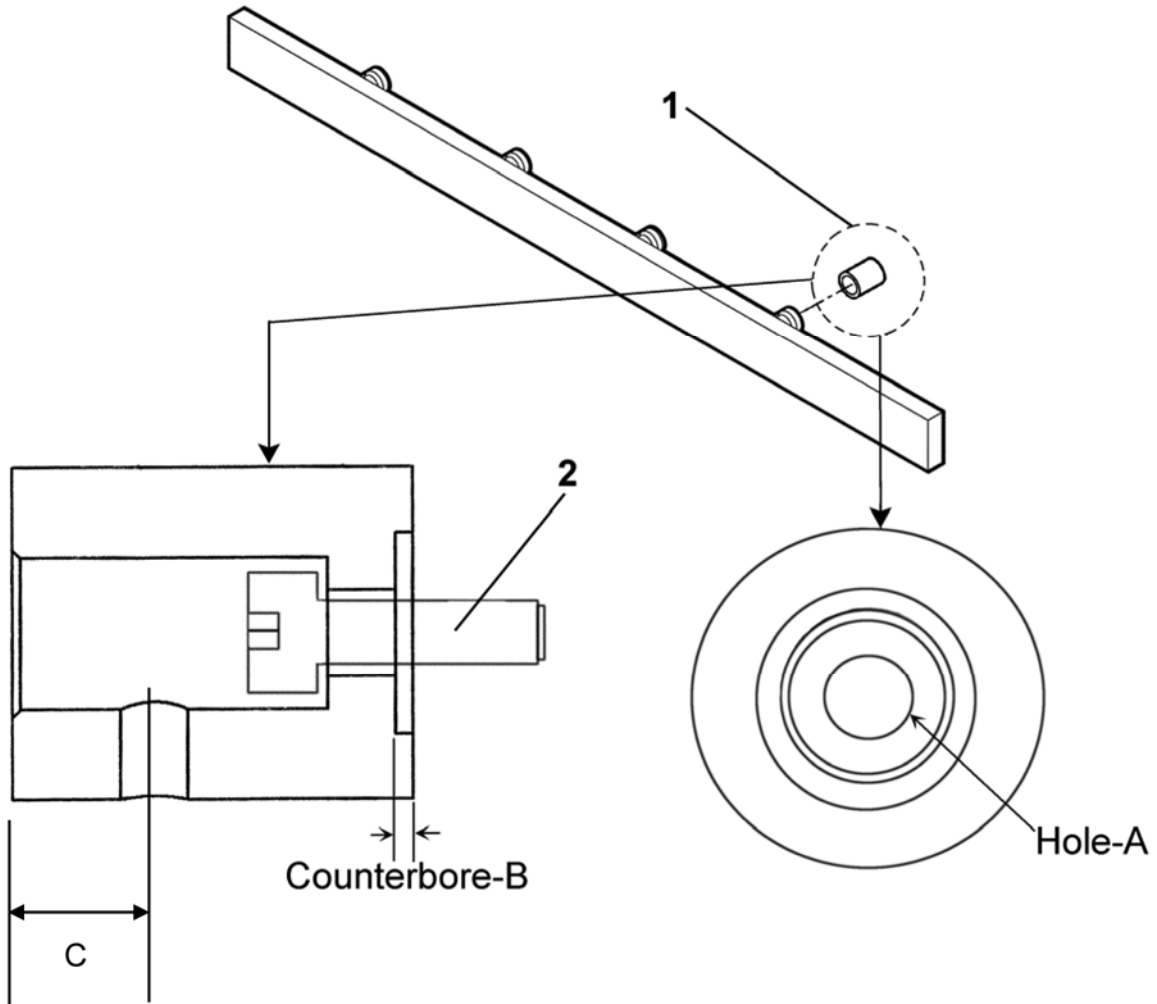
W/O VINTAGE

REF. No.	PART No.	DESCRIPTION	
1	---	Handrail, Type AAA139BF (both ends straight)	 NOTE
2	---	Handrail, Type AAA139BF (one end curved, the other straight)	
3	---	Handrail, Type AAA139BF (both ends curved)	
4	---	Standoff, Type AAA322AJ,  Detail on Page 10	

NOTE: Type AAA139BF handrails come in three different end configurations, four diameters, four material finishes and various finished lengths. To order, contact OSC Customer Service with the information indicated in the table above, based on specific job conditions.

Type 322T Standoff

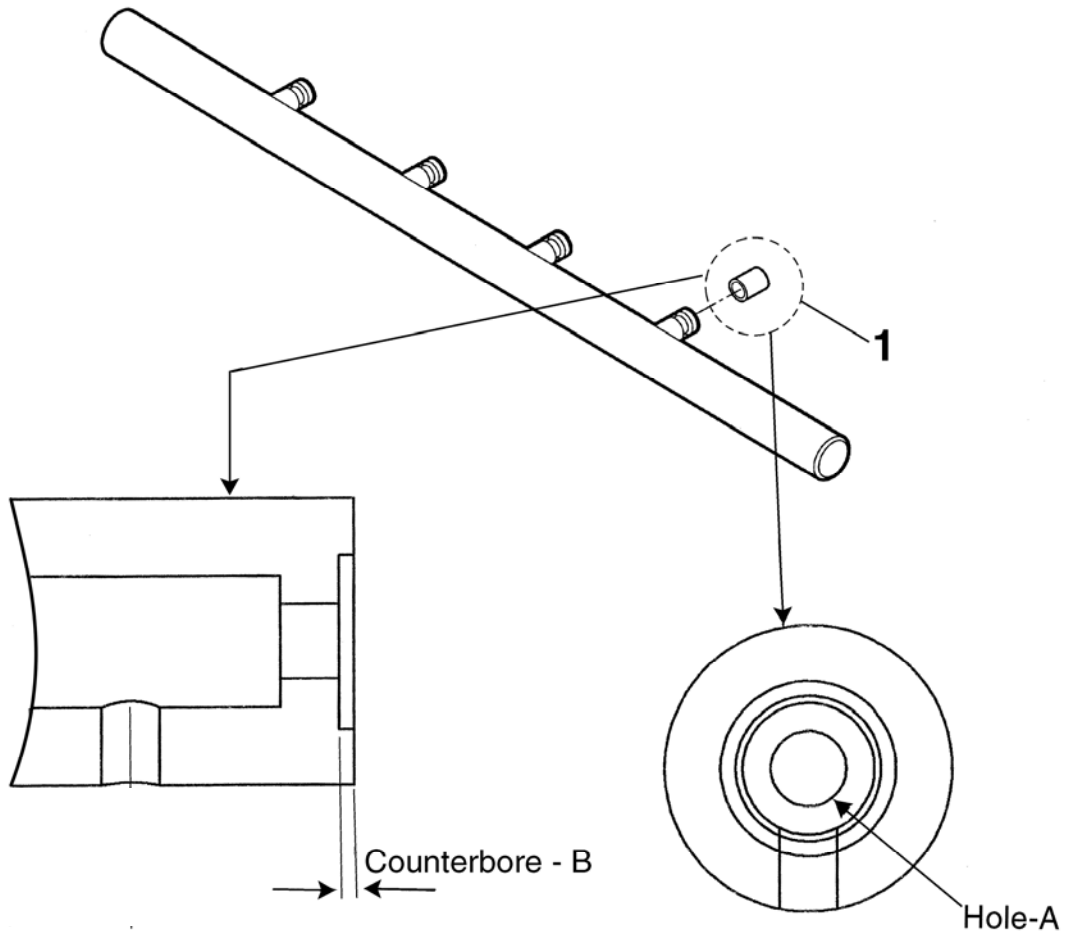
17-AAA24689D



REF. No.	W/O VINTAGE PART No.	DESCRIPTION	Hole-A (in.)	Counter Bore-B	MATERIAL	C (in.)
1	322T3	Standoff, Used with DH-50, DH-51, DH153 Handrail	5/16-18	without	Stainless Steel	0.53
	322T4		0.33	with		
	322T5		5/16-18	without	Brushed Brass	
	322T8					

17-AAA24689D

Type AAA322AJ Standoff



W/O VINTAGE					
REF. No.	PART No.	DESCRIPTION	Hole-A (in.)	Counter Bore-B	Handrail Diameter-C (in.)
1	AAA322AJ1-__	Standoff, Used with DH-154 Handrail	5/16-18	without	1.5
	AAA322AJ2-__				2.0
	AAA322AJ3-__				2.5
	AAA322AJ4-__				3.0
	AAA322AJ5-__		0.32	with	1.5
	AAA322AJ6-__				2.0
	AAA322AJ7-__				2.5
	AAA322AJ8-__				3.0

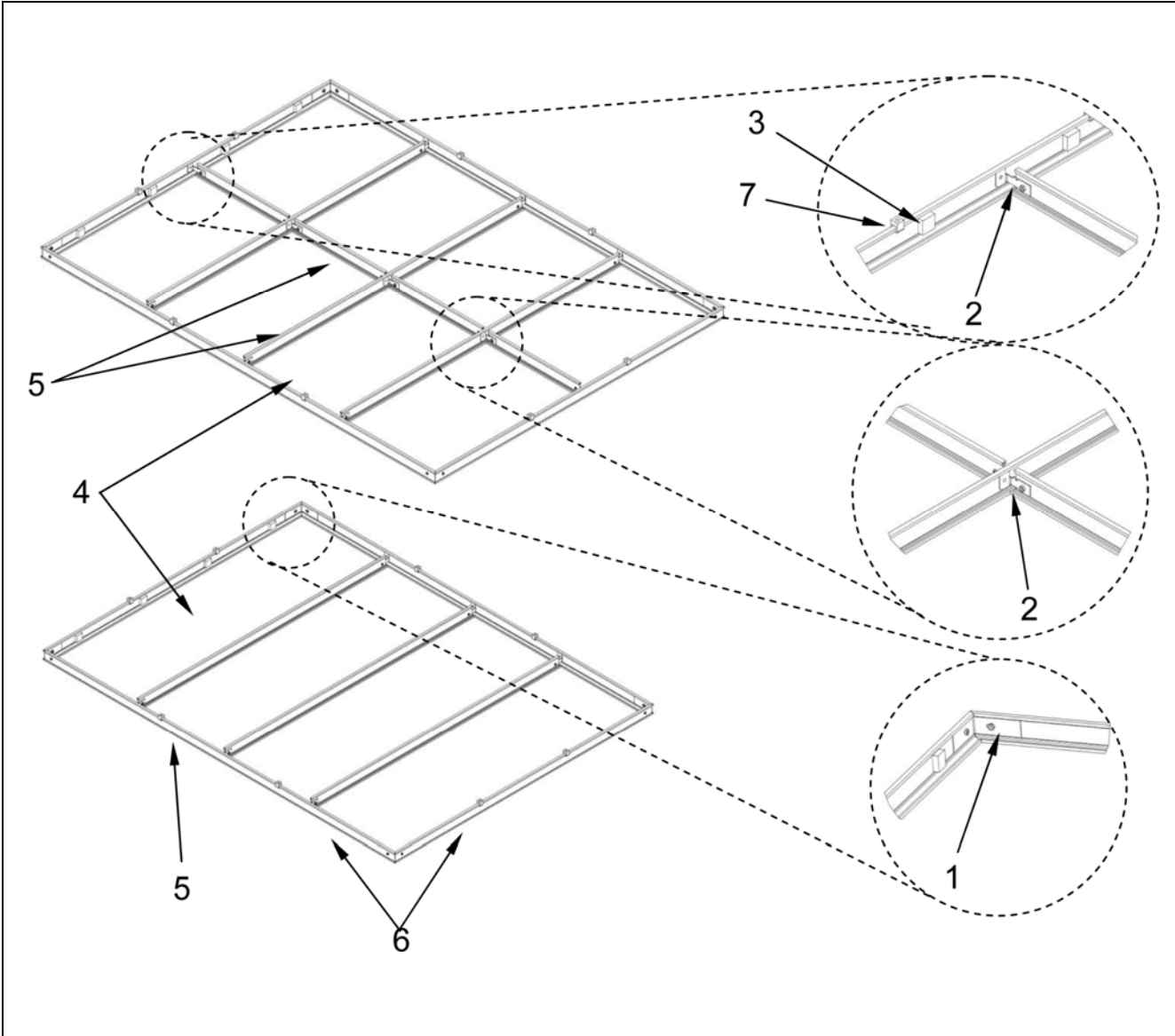
NOTE: For complete part number, add the material finish code as follows:


MF4 = Brushed Stainless Steel; **SS8** = Mirror Stainless Steel;

BR7 = Brushed Bronze; **BR8** = Mirror Bronze.

DC-22 Decorative Ceiling

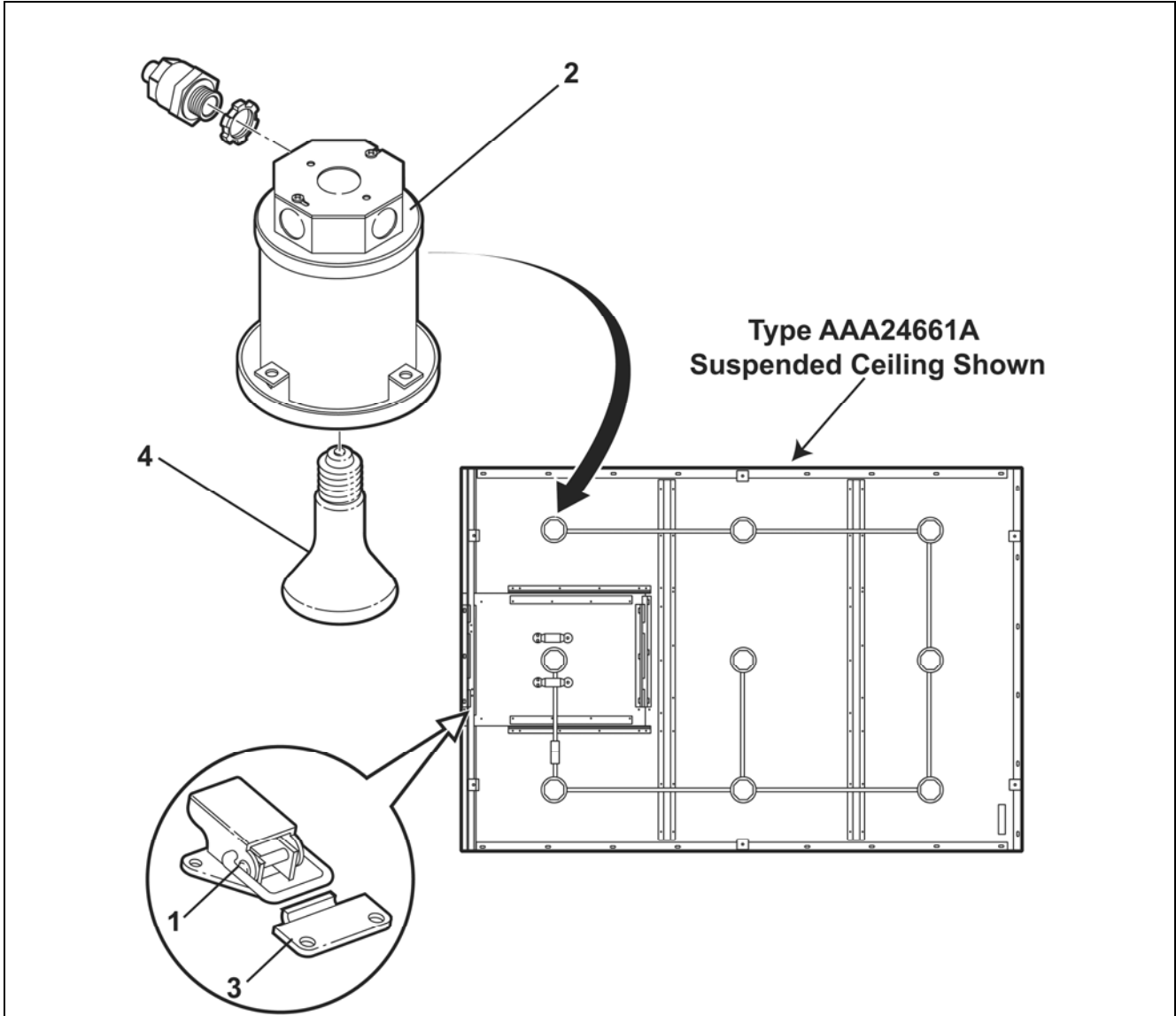
17-AAA24689D



W/O VINTAGE		
REF. No.	PART No.	DESCRIPTION
1	283WV1	Bracket, Corner
2	283WW1	Bracket, Side
3	320CE3	Bumper
4	---	Grille / Louver Panel,  SPL 17-A49BM
5	50AKS-144	Shape, Center Support, Aluminum, 144 in. long (Cut to suit in field)
6	50AKR-144	Shape, Side Frame, Aluminum, 144 in. long (Cut to suit in field)
7	338AP1	Slip Nut

17-AAA24689D

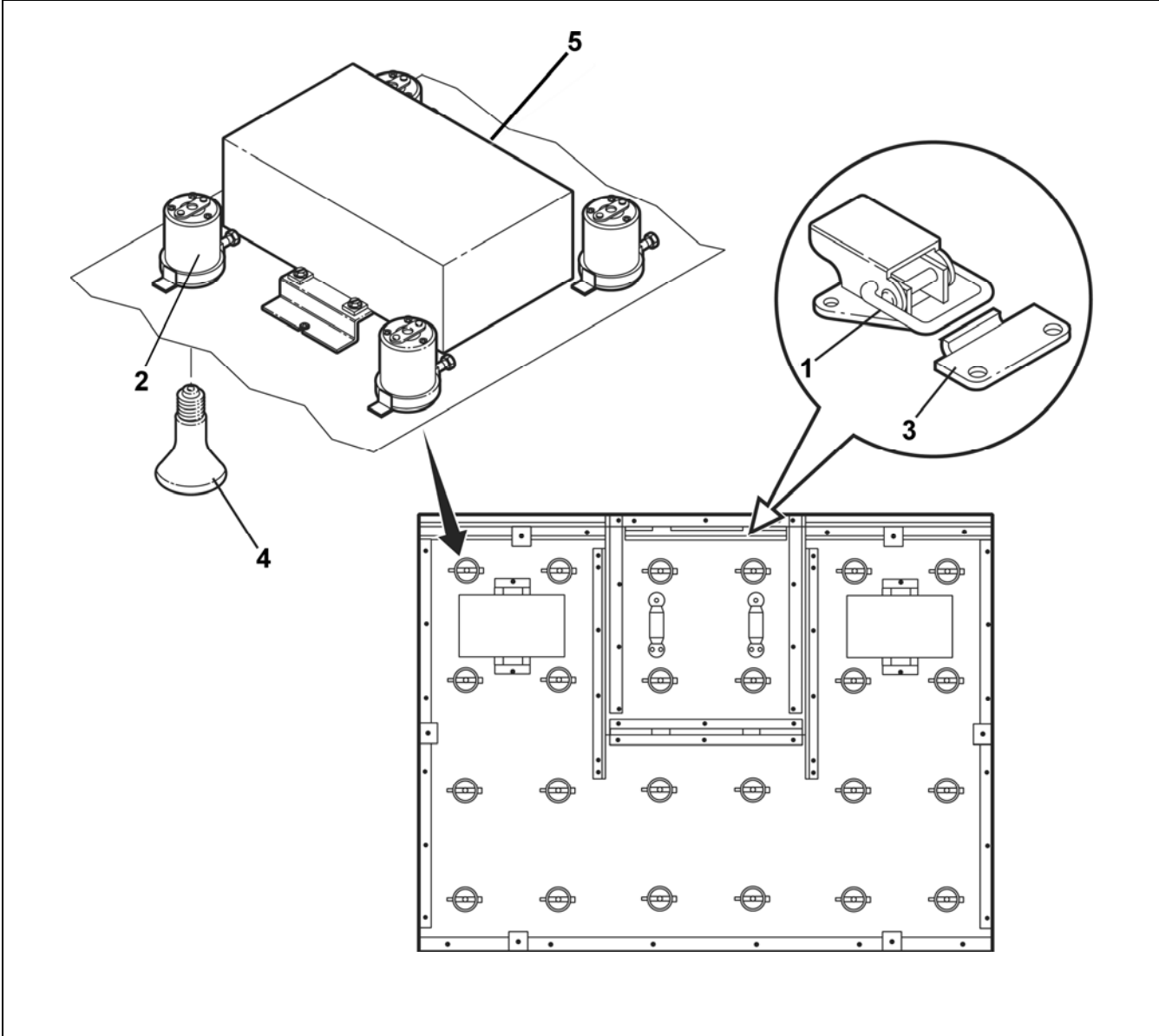
Type AAA24661A with DC-23 & Type AAA24710E Lighting System Suspended Ceiling



W/O VINTAGE		
REF. No.	PART No.	DESCRIPTION
1	AAA331CU1	Clasp, Latch
2	AAA417CM1	Fixture, Light
3	AAA331CU2	Hook, Latch
4	424W1	Lamp, 120 V, 50 W (TUF Skinner)
	424W3	Lamp, 120 V, 30 W (coated)

Type AAA24661B with DC-125
 & Type AAA24710A Lighting
 System Suspended Ceiling

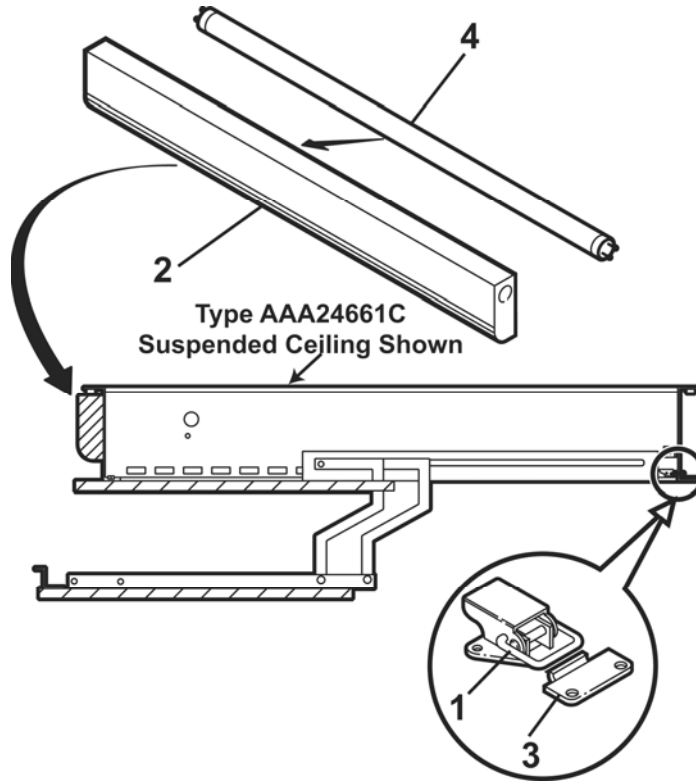
17-AAA24689D



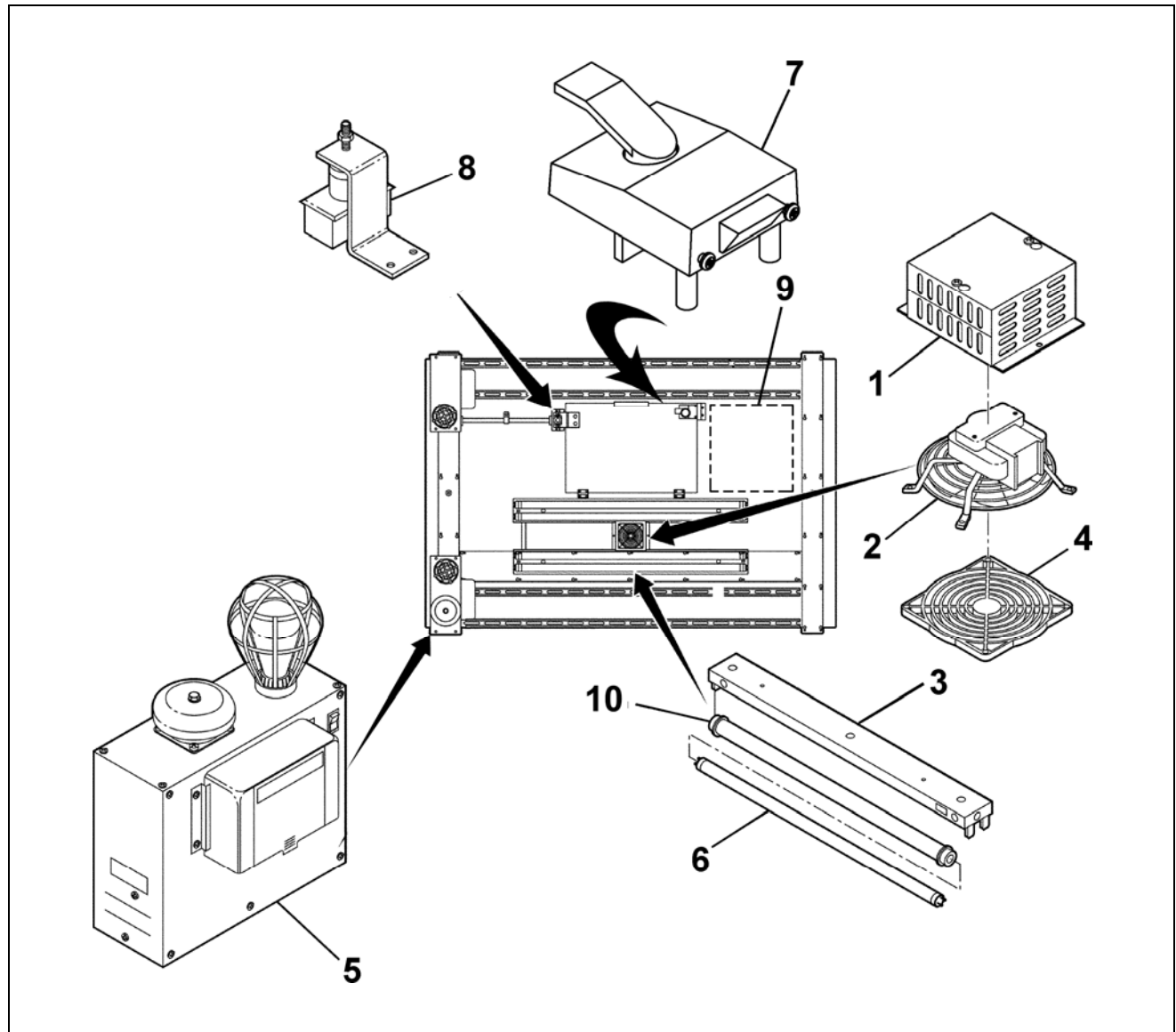
W/O VINTAGE		
REF. No.	PART No.	DESCRIPTION
1	AAA331CU1	Clasp, Latch
2	AAA417CQ1	Fixture, Light
3	AAA331CU2	Hook, Latch
4	424D7	Lamp, 13 V, 20 W, 2.63 in. L
5	AAA621BH2	Power Supply, 120 VAC Input, 12 VDC Output


17-AAA24689D

Type AAA24661B with DC-125 Lighting System Suspended Ceiling



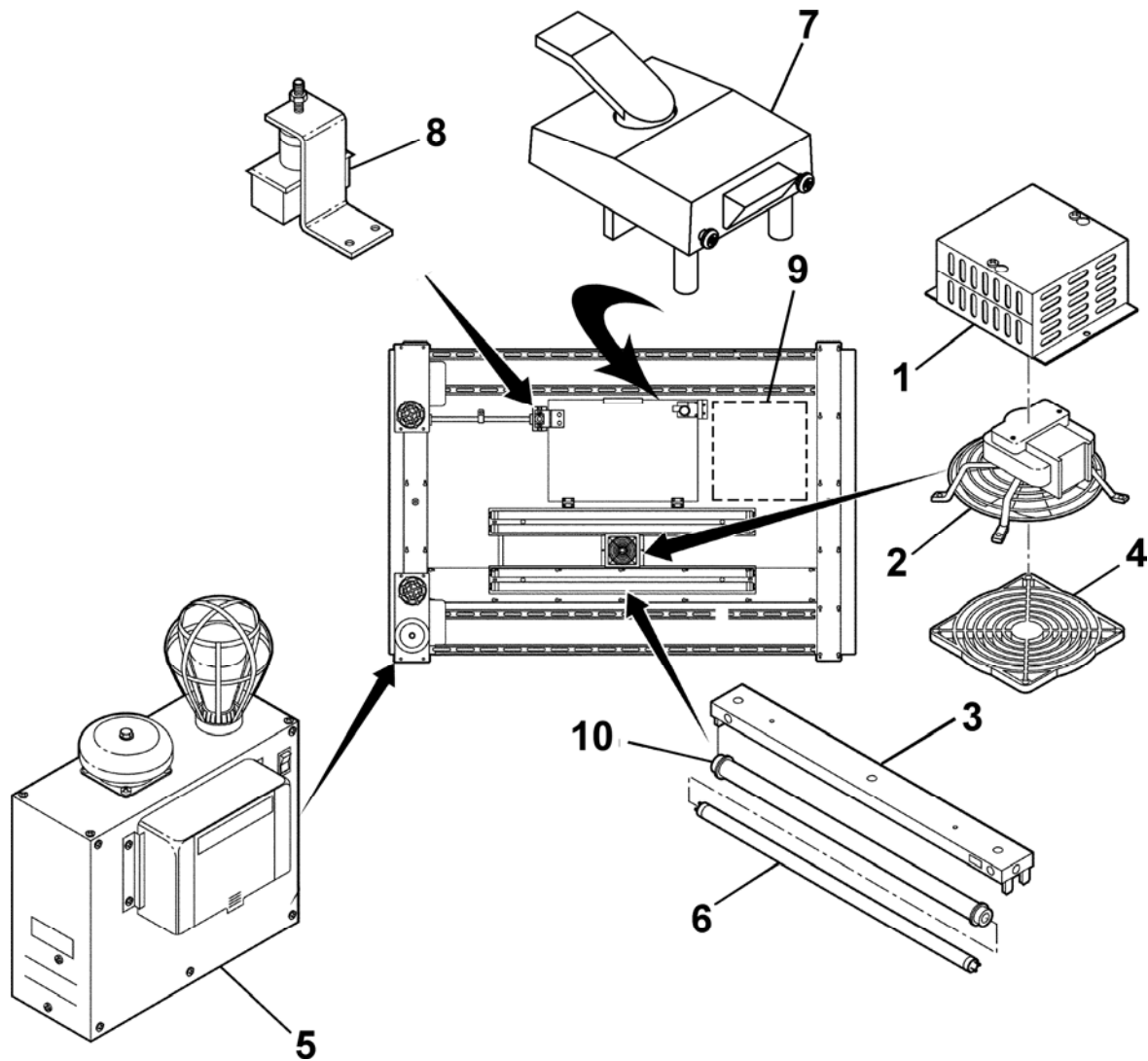
REF. No.	W/O VINTAGE PART No.	DESCRIPTION	L (in.)	
1	AAA331CU1	Clasp, Latch	---	
2	AAA417CK1 AAA417CL1	Fixture, Light	24.00	
	AAA417CK2 AAA417CL2		36.00	
	AAA417CK3 AAA417CL3		48.00	
3	AAA331CU3	Hook, Latch	---	
4	424E12	Lamp	36.00	
	424E15		Rapid Start	24.00
	424E17			48.00
	424E20		Plastic Coated, Shatterproof	24.00
	424E21			36.00
	424E22			48.00



REF. No.	PART No.		DESCRIPTION
	AAA24660C AAA24660D	ABA24660C ABA24660D	
1	AAA308RJ1	AAA308RJ3	Cover, Fan
2	AAA24720A3	AAA24720A4 AAA24720A3	Fan
		AAA24720T4 AAA24720T9	
3	417CB2		Fixture, Light
4	AAA384XK2		Grille
5	---		Integration Box, Top-of-Car,  SPL 17-AAA25580Q

Continued on next page.

Ceiling Assemblies



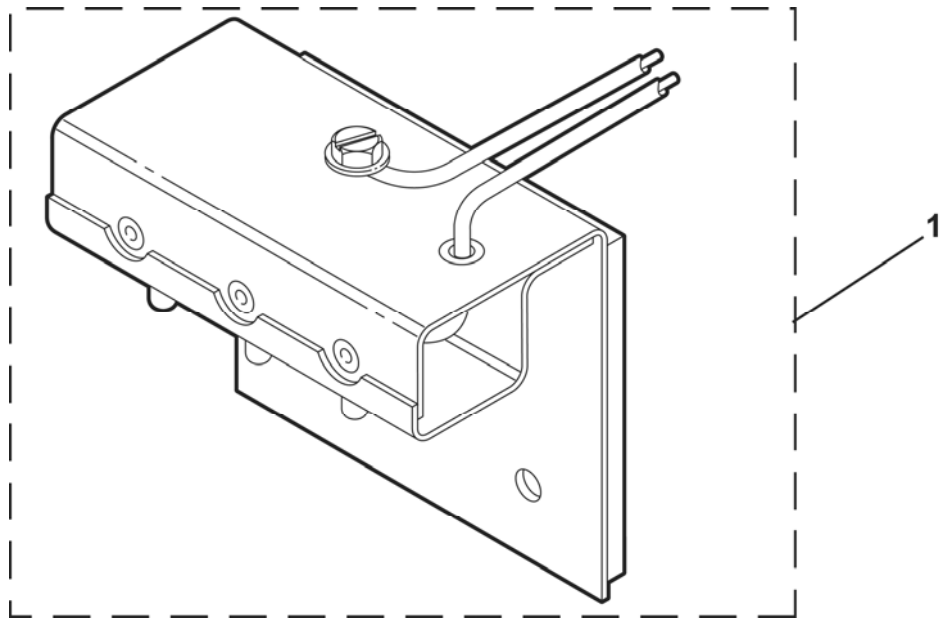
AAA24660C AAA24660D	ABA24660C ABA24660D
------------------------	------------------------

REF. No.	PART No.	DESCRIPTION
---	VP-797135	Key, AAA431AM1 (not shown)
---	VP-797130	Key, AAA431AM2 (not shown)
6	424E17	Lamp, 48 in. L
7	AAA431AM1	Lock, 5 Pin
	AAA431AM2	Lock, 5 Pin, Massachusetts Only
8	AAA6098NS1	Switch, Exit
9	AAA297BA2	Tape, Safety (for marking refuge space)
10	137BA5	Tube (lamp)

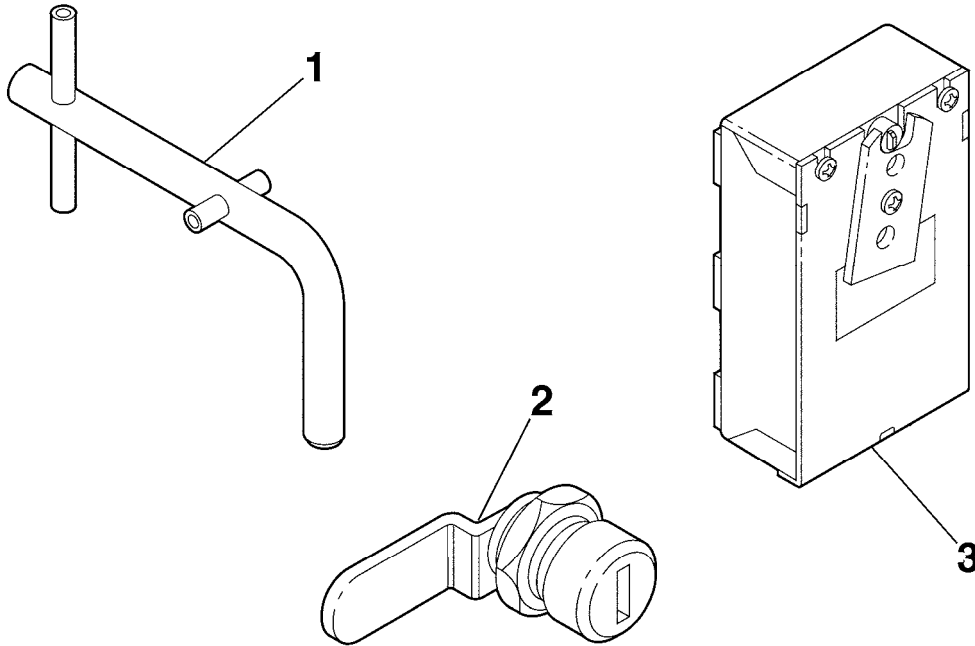
Type AAA417CH



17-AAA24689D

Emergency Light Fixtures



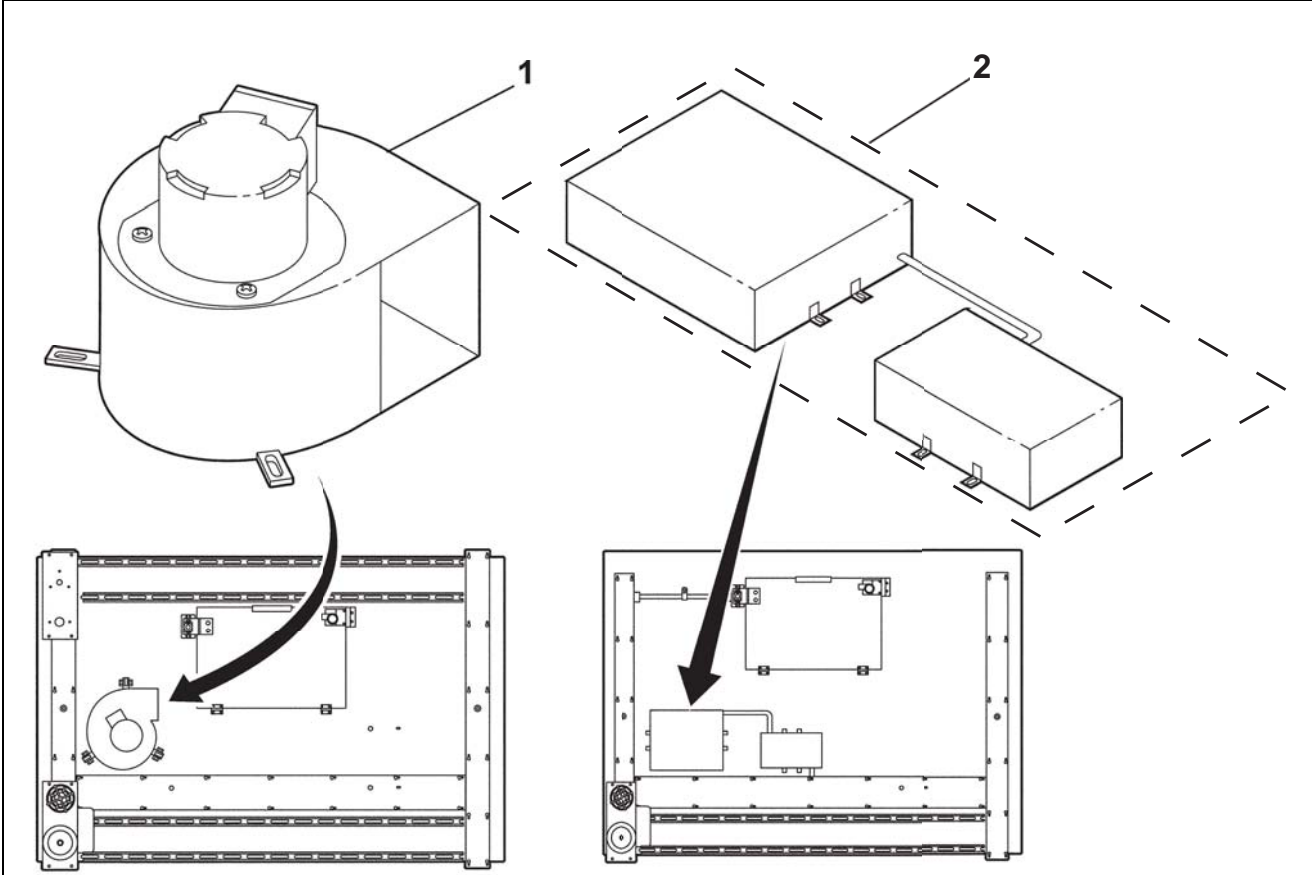
REF. No.	W/O VINTAGE PART No.	DESCRIPTION
1	AAA417CH1	Light, Emergency, 6 V
2	AAA417CH2	Light, Emergency, 12 V



REF. No.	W/O VINTAGE PART No.	DESCRIPTION
1	194AR1	Key, Side Exit
2	AAA00431AAC001-BLK	Lock, for Side Exit, Black Finish
	AAA00431AAC001-DC	Lock, for Side Exit, Dull Chrome Finish
3	AAA6098NT1	Switch, Car Side Exit, 
	AAA6098NT2	Switch, Car Side Exit, 

Two-Speed and Emergency Ventilation Blowers

17-AAA24689D



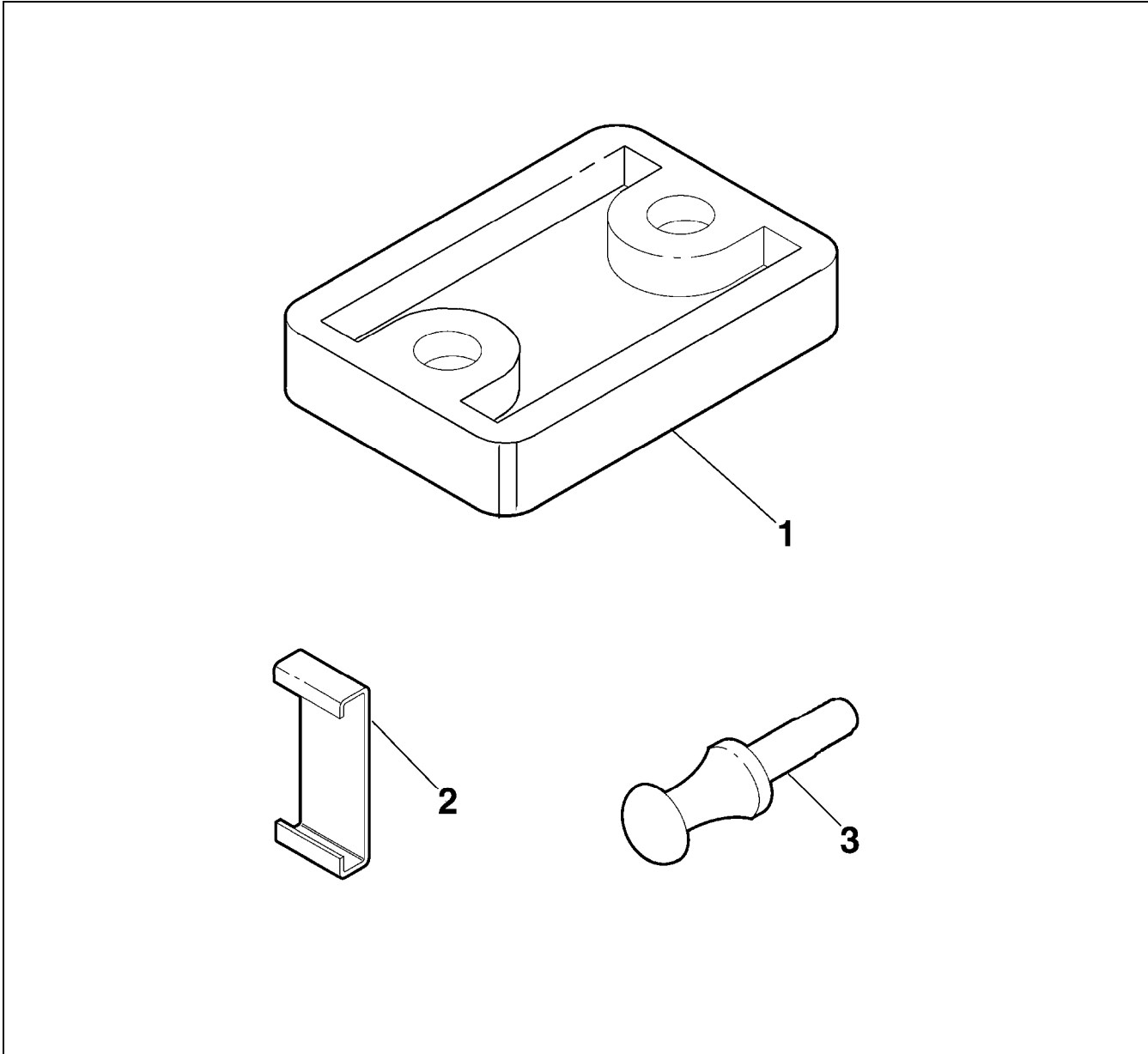
Type AAA24660C Ceiling Assembly Shown

Type ABA24660C Ceiling Assembly Shown

Front Opening Shown

REF. No.	PART No.		DESCRIPTION	
1	AAA24720D1	---	Blower, Two-Speed	110 V
	AAA24720D2	---	Blower, Two-Speed	220 V
2	AAA24720M3		Blower Power Supply, Emergency Ventilation (contains below listed indented parts)	120 V
*	AAA24720M503		Battery, 6 V	---
*	AAA24720M500		Fan, w/Thermostat	12 VDC
*	AAA24720M501		Fuse and Fuse Holder (primary side)	
*	AAA24720M502		PC Board and Box	

* Parts not shown.



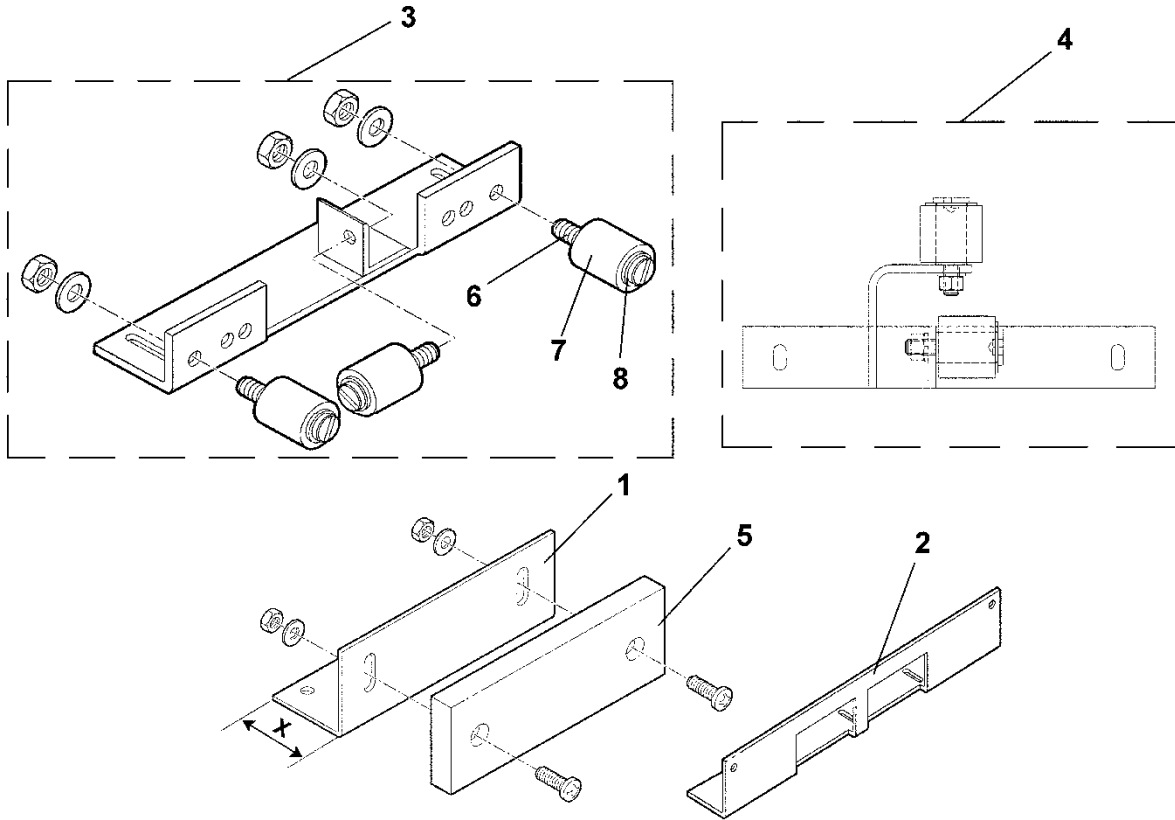
REF. No.	W/O VINTAGE PART No.	DESCRIPTION
1	310KK2	Block, Stop (for back of cab panels)
2	347TL5	Hook, Pad
3	509A3	Hook, Protective Pad (includes speed nut, not shown) Stainless Steel
*	---	Pad, Protective, Type 6193NL
	---	Pad, Protective, Type 384WT


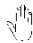


NOTE: Specify per contract based on site variations. Refer to drawings 6193NL & 384WT.

Cab Steadier

17-AAA24689D



W/O VINTAGE		DESCRIPTION		
REF. No.	PART No.			
1	AAA283ALF1	Angle, Steadier	X = 2.62 in.	(for hydro w/o DC-124 ceilings)
	AAA283ALF2		X = 3.12 in.	
2	AAA283ALF3		X = 2.62 in.	
3	6193MW2 6193MW1	Assembly, Steadying Device (for 9C-11C car frames)		
	316BWD10 6193MW3	Assembly, Steadying Device, 3 Roller Setup, for Geared & Gearless w/ 5 in., 6 in., 8 in., 10 in. Uprights		
4	6193MW4	Assembly, Steadying Device, 2 Roller Setup,  Shown	(for geared & gearless, duplex w/ 4 in., 6 in. uprights)	
	6193MW5	Assembly, Steadying Device, 2 Roller Setup, 		
5	320J5	Pad, Bumper		
6	77RX1	Pin		
7	137AD1	Roller, Tube		
8	127VB182	Washer		