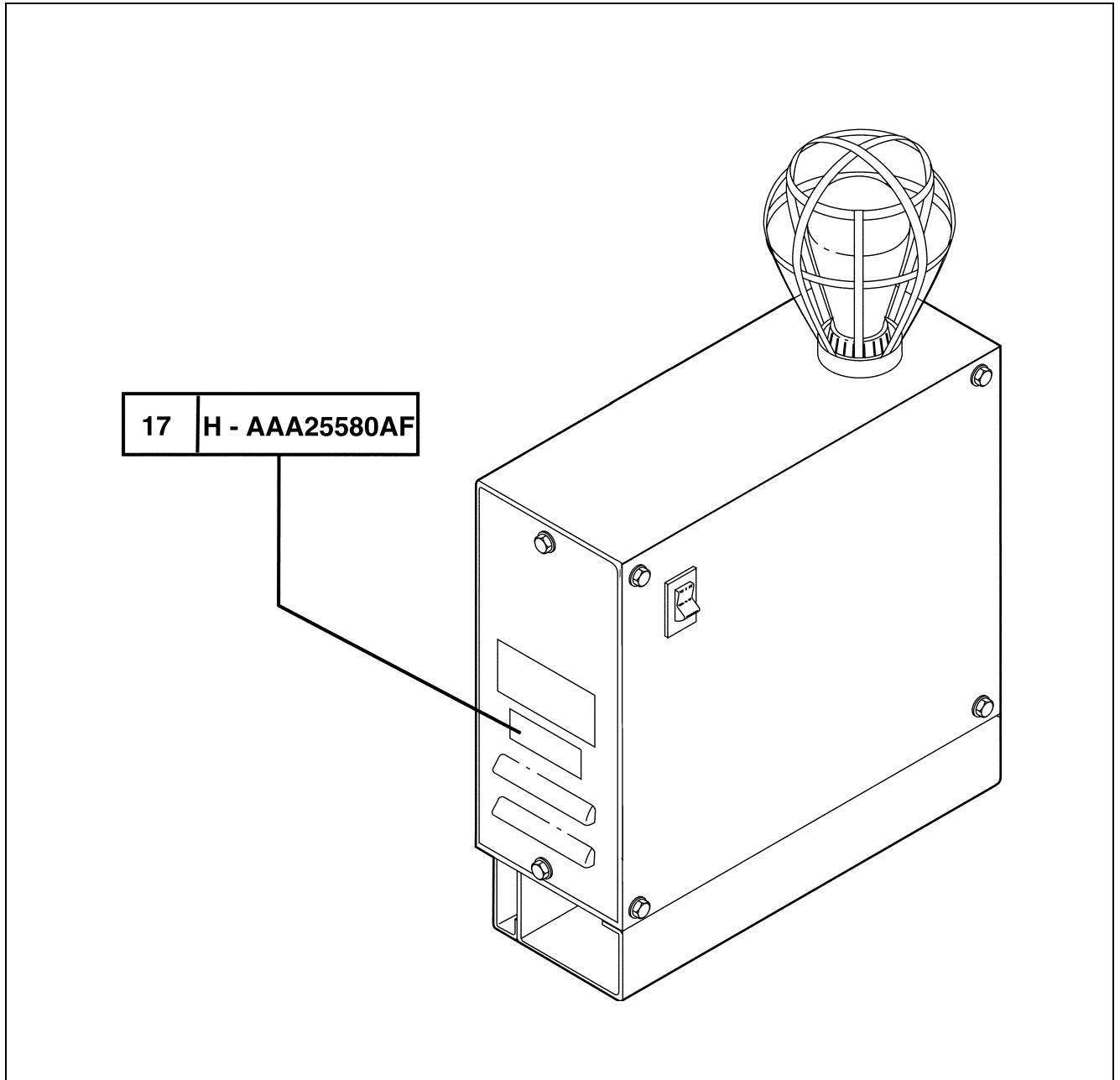


Top-of-Car Integration Box

Spare Parts Leaflet

17-AAA25580AF

December 14, 2022 / Page 1 of 8



OTIS

This document does not contain any
technical data subject to EAR or ITAR

SERVICE ENGINEERING
Otis Elevator Company
Bloomfield, Connecticut USA

Unpublished Work—© Otis Elevator Co.; 2022

Leaflet Description

Type AAA25580AF top-of-car integration box is a later version of type AAA25580Q box. These are used in new sales traction systems and modernization traction and hydraulic systems. Early new sales hydraulic systems use box AAA25580S, and later systems use box AAA25580AG. AAA25580AG, AAA25580Q, and AAA25580S boxes are covered in their own leaflets.

Leaflet Revisions

Date Revised	Subject Matter Expert	Reason for Revision
November 14, 2003	John Dwyer	New leaflet
September 15, 2006	John Dwyer	Ref. 7 on p. 3, the p/n 177DM1 was superseded by p/n AAA177EN6
April 14, 2010	Sohaib Shaikh	Added new pages 6 and 7
February 8, 2012	Rich Pustelniak and Sohaib Shaikh	Replaced LAMBDA 3D controller AAA26800AGS1 with AAA26800ARV1
December 14, 2022	Greg Oseep	Added new page 8

Related Drawings

Drawing No.	Title
AAA25580AF	Assembly and Arrangement Top of Car Integration Box with Internal 30 VDC LAMBDA III (Traction Systems)

Related Documents

Document ID	Title
17-AAA25580AG	<i>Top-of-Car Integration Box for Hydraulic Systems</i>
17-AAA25580Q	<i>Top-of-Car Integration Box for Traction Systems</i>
17-AAA25580S	<i>Top-of-Car Integration Box for Hydraulic Systems</i>

Subject Matter Expert

Name	Department
Greg Oseep	OSC Service Engineering

About Spare Parts Leaflets...

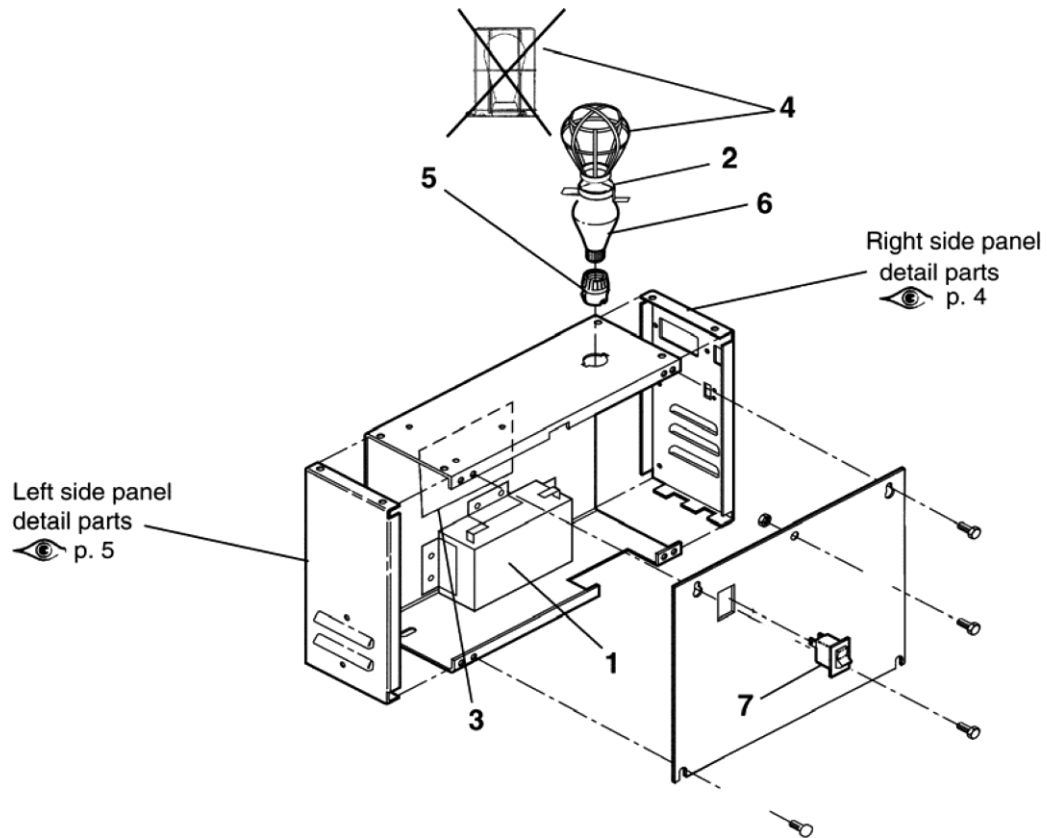
This document lists the lowest replaceable units (LRUs) for the standard version of the product. The LRUs are chosen by a team of Otis associates representing engineering and manufacturing.

While goal of this document is to make parts identification as easy as possible, the document cannot be all-inclusive. Elevator and escalator contracts classified as "special" or "custom" are not addressed here. For such contracts, please refer to specified information, the contract folder, TIPs, Field Education Articles, Construction Letters, etc. for further information.

If you have any suggestions about this document, please contact the subject matter expert listed on this page.

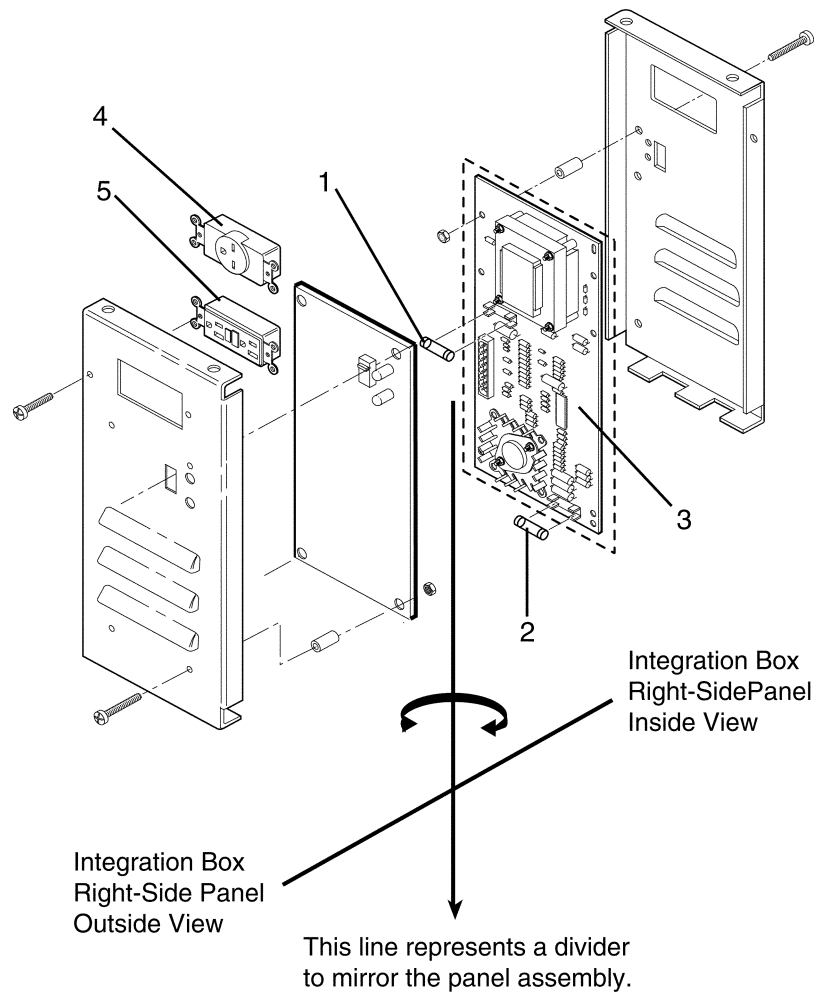
Top-of-Car Integration Box

17-AAA25580AF

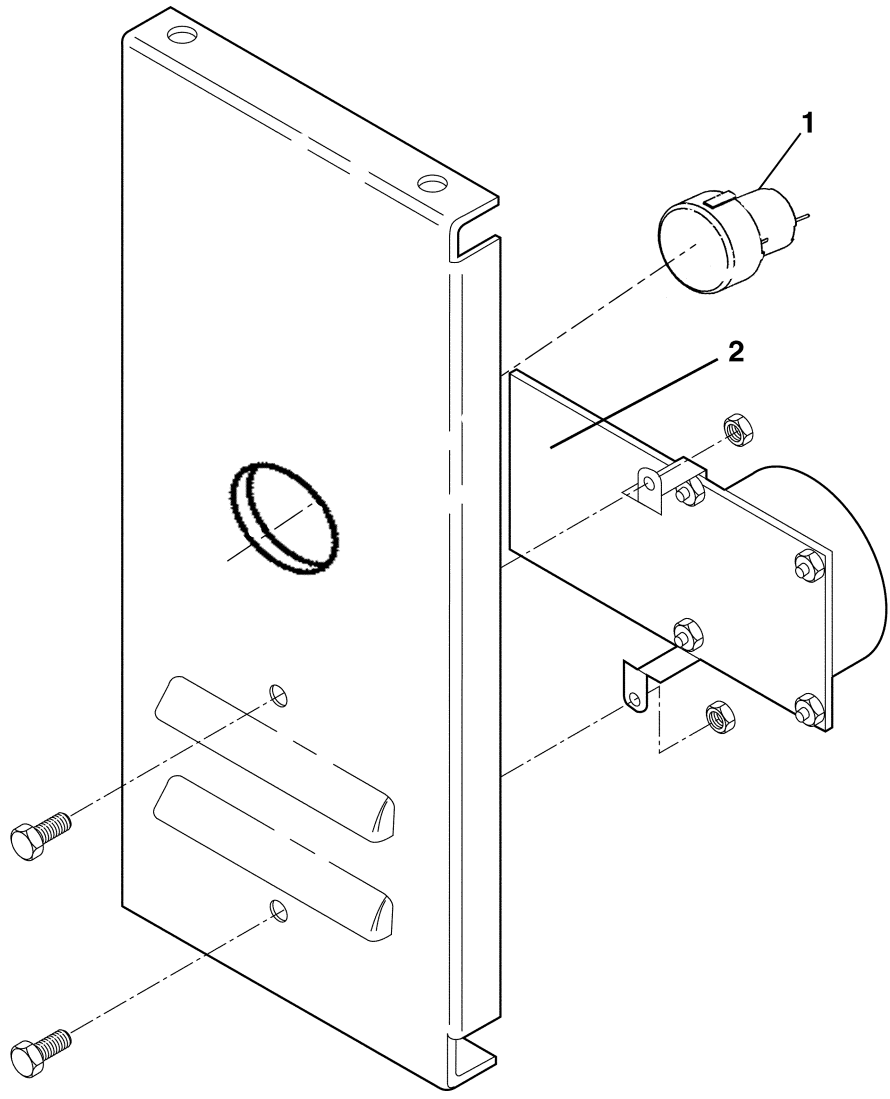


AAA25580AF		
REF. No.	PART No.	DESCRIPTION
1	AAA718E10	Battery, Rechargeable, 6 V, 8 AH
2	AAA336MM1	Clamp, Lamp Guard (see Note)
3	---	Controller, LAMBDA Door Detector, pp. 6 and 7
4	AAA384AFU1	Guard, Lamp, Metal (see Note)
	AAA384ABX1	Guard, Lamp, Plastic (see Note)
5	AAA618BD1	Holder, Lamp
6	6599D14	Lamp, 125 V, USA and Canada
	6599D15	Lamp, 250 V, International
7	177DM1 AAA177EN6	Switch

NOTE: Metal lamp guard p/n AAA384AFU1 is replaced with plastic guard p/n AAA384ABX1 and clamp p/n AAA336MM1.

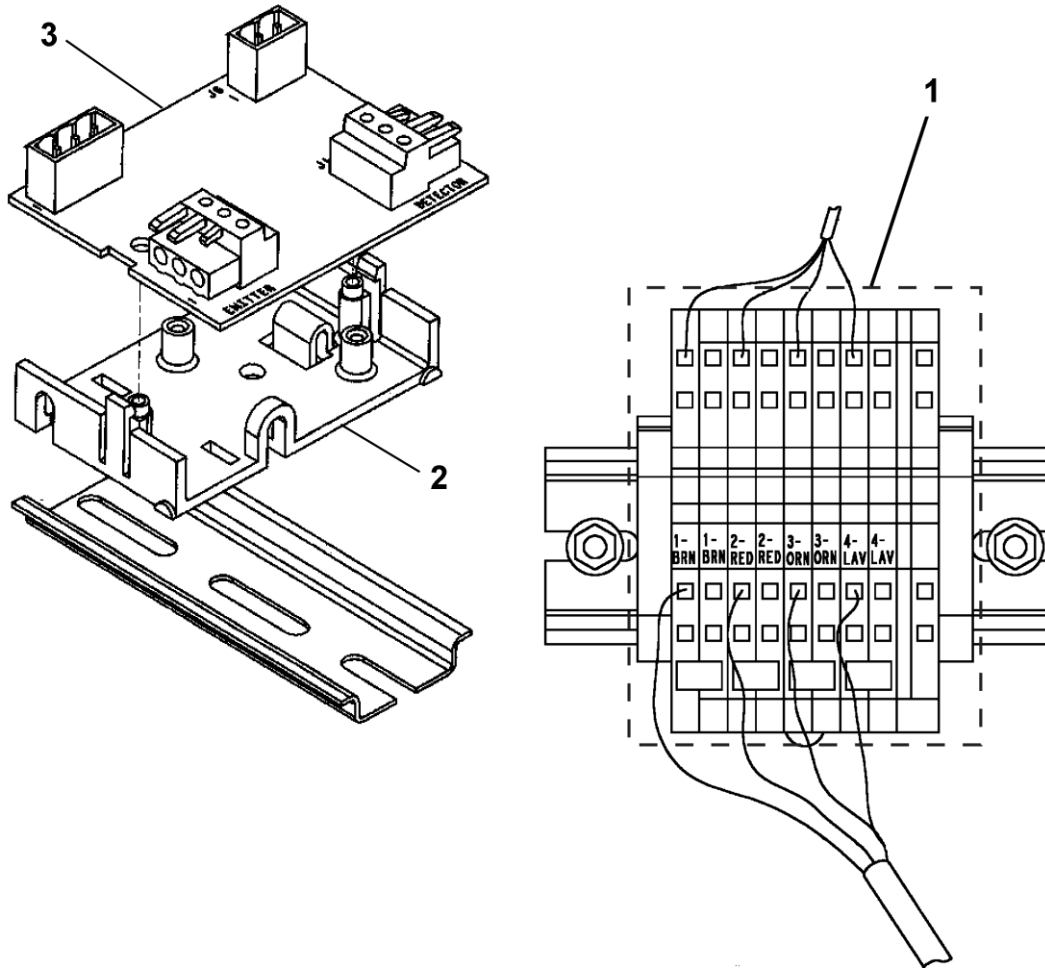


AAA25580AF		
REF. No.	PART No.	DESCRIPTION
1	AAA375BY2	Fuse, 0.25 A, Time-Delay (XF1), International
	AAA375BY15	Fuse, 0.5 A, Time-Delay (XF1), USA and Canada
2	AAA375CF5	Fuse, 4.0 A, 125 V (XF2), USA and Canada
	AAA375CF6	Fuse, 4.0 A, 250 V (XF2), International
3	AAA26800TU1 AAA25500AA1	PC Board, Emergency Lighting, USA and Canada
	AAA25500AA2	PC Board, Emergency Lighting, International
4	AAA648C4	Receptacle, 15 A, 250 V, International
5	641A4	Receptacle, GFCI, USA and Canada



AAA25580AF		
REF. No.	PART No.	DESCRIPTION
1	AAA731C5	Alarm, Electrical
2	GCA23550B1	PC Board, Gong, w/o Mounting Brackets

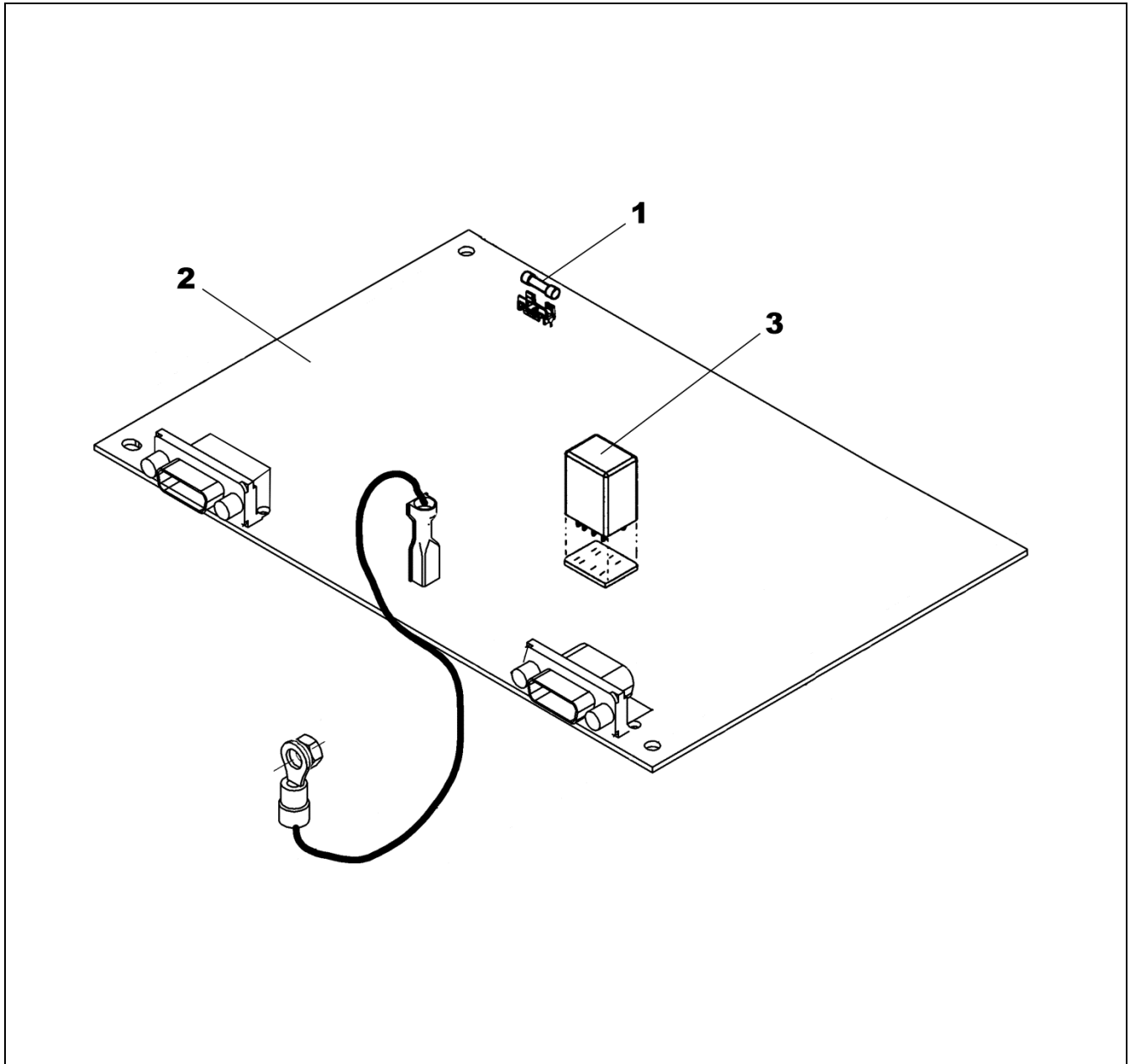
TOC Integration Box Lambda LC Components



AAA25580AF		
REF. No.	PART No.	DESCRIPTION
1	AAA21303CY2	Assembly, Terminal Block
2	AAA180FE1	Holder, Molded
3	AAA26800APY1	LAMBDA LC PC Board

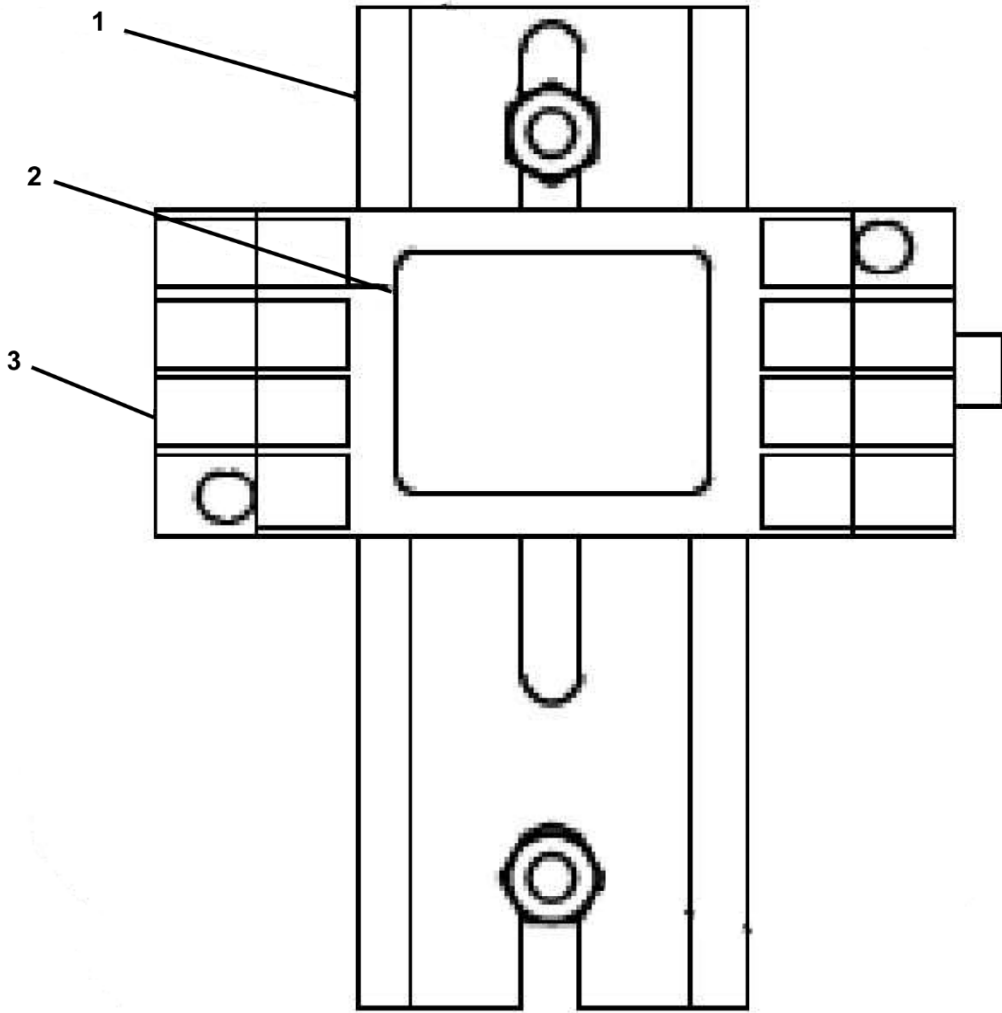
TOC Integration Box Lambda III Components

17-AAA25580AF



AAA25580AF		
REF. No.	PART No.	DESCRIPTION
1	AAA375BY15	Fuse, 0.5 Amp, 115 VAC
2	AAA26800AGS1 AAA26800ARV1	PC Board, 30 VDC
3	AAA613CZ21	Relay, 24 VDC, for PC Board A__26800AGS1
	AAA613DB7	Relay, 24 VDC, for PC Board A__26800ARV1

**TOC Integration Box
Relay Components**



AAA25580AF		
REF. No.	PART No.	DESCRIPTION
1	401B89	DIN Rail
2	AAA613CZ9	Relay, 115VAC
3	618AE2 AAA618AF25	Socket, Relay