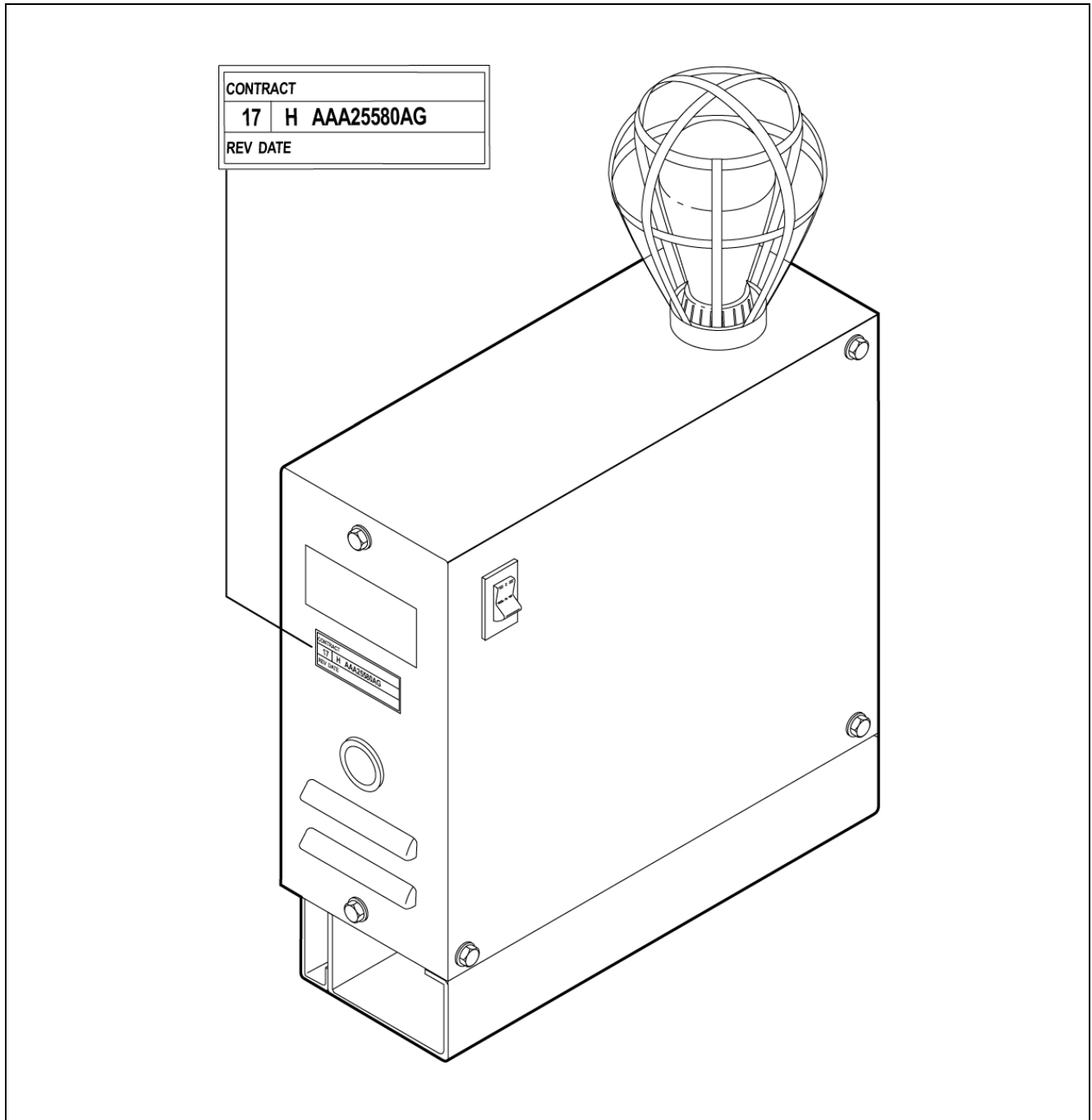


Top-of-Car
Integration Box
for Hydraulic Systems

Spare Parts Leaflet

17-AAA25580AG

February 8, 2012 / Page 1 of 7



Unpublished Work—© Otis Elevator Co.; 2012

OTIS

Safety First!

SERVICE ENGINEERING
Otis Elevator Company
Bloomfield, Connecticut USA

Leaflet Description

The AAA25580AG top-of-car integration box is a later version of the AAA25580S box. These are used in new sales hydraulic systems. Early new sales traction systems use box AAA25580Q and later systems use box AAA25580AF. Types AAA25580AF, AAA25580S, and AAA25580Q boxes are covered in their own leaflets.

Leaflet Revisions

Date Revised	Subject Matter Expert	Reason for Revision
November 14, 2003	John Dwyer	New Leaflet
September 27, 2006	John Dwyer	Update part numbers.
December 23, 2009	Starr Walker / Matt Fournier	Added p/n AAA25500AA2 in ref. 3 on p. 4
April 14, 2010	Sohaib Shaikh	Added new pages 6 and 7
July 21, 2010	Brian Mierzejewski	Changed part number 641A4 to 641A3.
February 8, 2012	Rich Pustelniak and Sohaib Shaikh	Replaced LAMBDA 3D controller AAA26800AGS1 with AAA26800ARV1

Related Drawings

Drawing No.	Title	Drawing No.	Title
AAA25580AG	Assembly and Arrangement Top-of-Car Integration Box with Internal 30 VDC LAMBDA III (Hydraulic Systems)		

Related Documents

Document ID	Title
17-AAA25580AF	Top-of-Car Integration Box for Traction Systems
17-AAA25580S	Top-of-Car Integration Box for Hydraulic Systems
17-AAA25580Q	Top-of-Car Integration Box for Traction Systems

Subject Matter Expert

Name	Department
Sohaib Shaikh	OSC Service Engineering

About Spare Parts Leaflets...

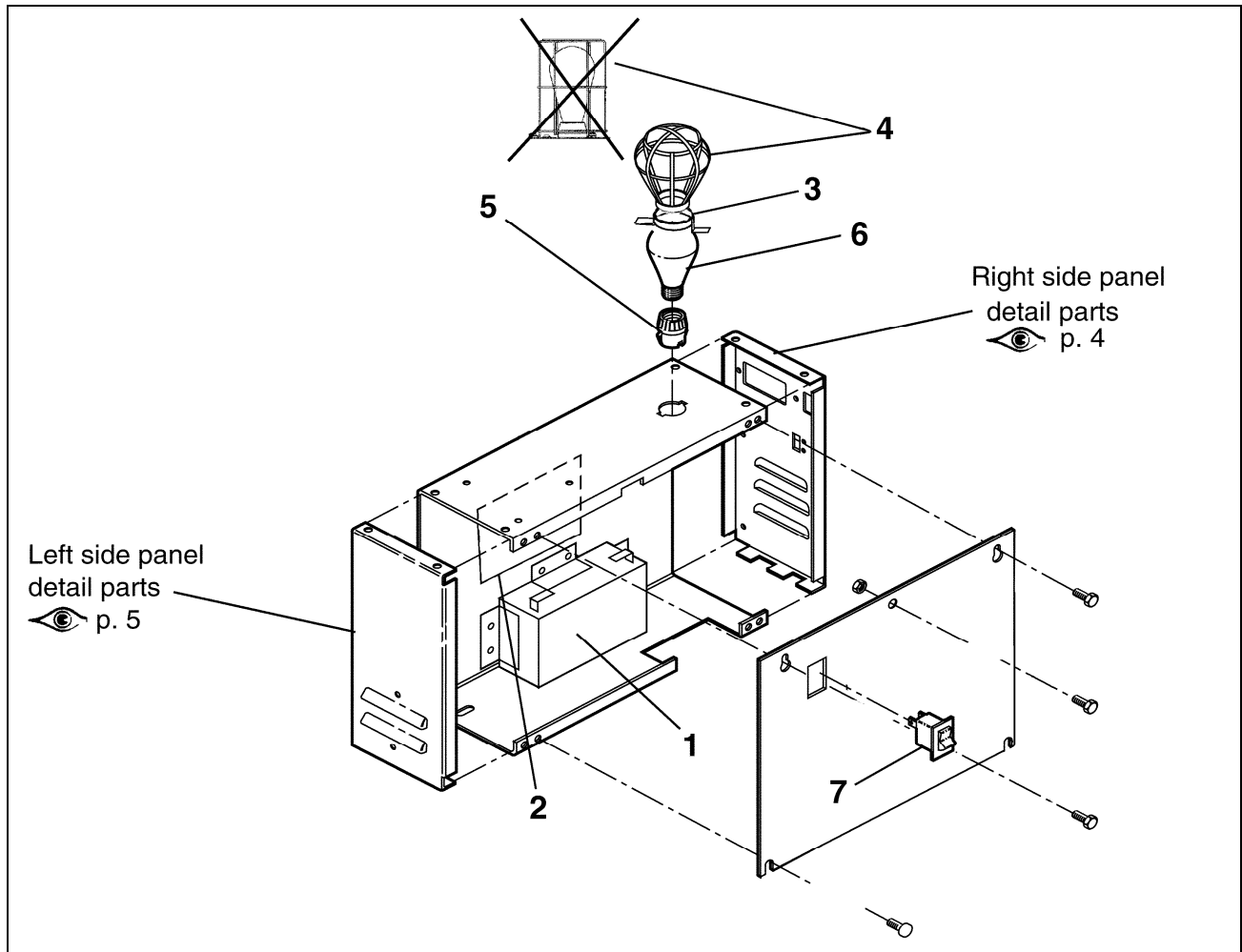
This document lists the lowest replaceable units (LRUs) for the standard version of the product. The LRUs are chosen by a team of Otis associates representing engineering and manufacturing.


While goal of this document is to make parts identification as easy as possible, the document cannot be all-inclusive. Elevator and escalator contracts classified as "special" or "custom" are not addressed here. For such contracts, please refer to specified information, the contract folder, TIPs, Field Education Articles, Construction Letters, etc. for further information.

If you have any suggestions about this document, please contact the subject matter expert listed on this page.

Top-of-Car Integration Box for Hydraulic Systems

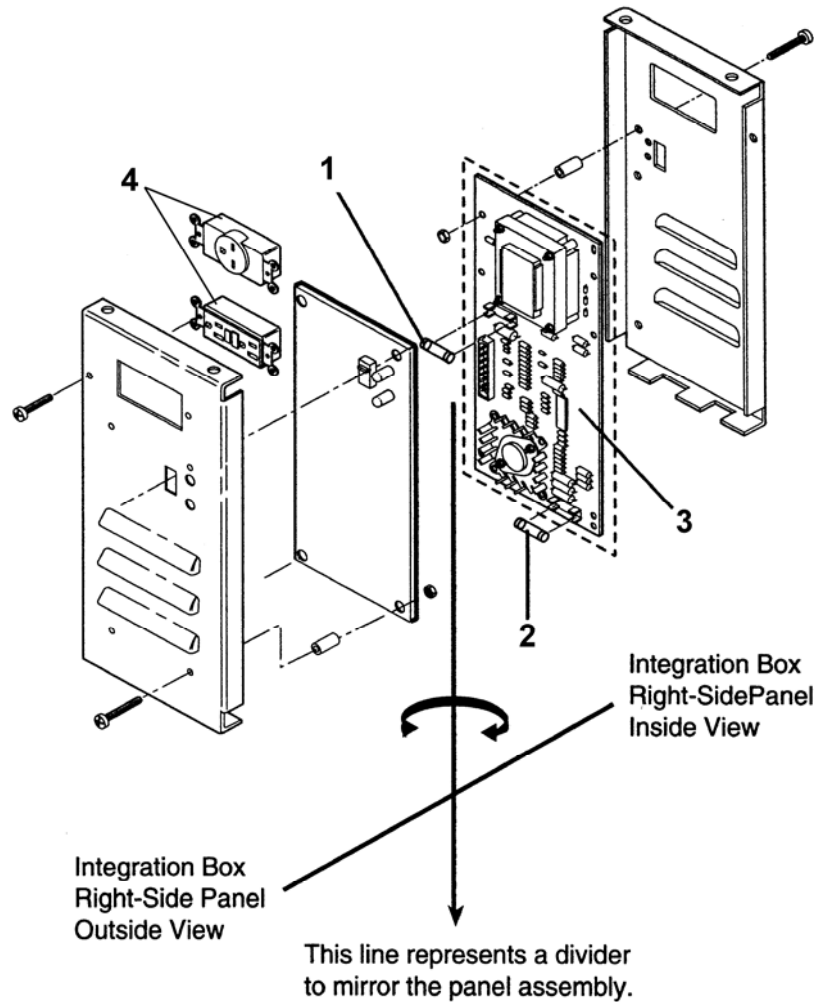
17-AAA25580AG



REF. No.	PART No.	DESCRIPTION
	AAA25580AG	
1	AAA718E10	Battery, Rechargeable, 6 V, 8 Amp Hours
2	---	Controller, LAMBDA Door Detector,  pp. 6 and 7
3	AAA336MM1	Clamp, Lamp Guard (see NOTE)
4	AAA384AFU1	Guard, Lamp, Metal (see NOTE)
	AAA384ABX1	Guard, Lamp, Plastic (see NOTE)
5	AAA618BD1	Holder, Lamp
6	6599D14	Lamp, 125 V, USA and Canada
	6599D15	Lamp, 250 V, International
7	177DM1 AAA177EN6	Switch

NOTE: Metal lamp guard p/n AAA384AFU1 is replaced with plastic guard p/n AAA384ABX1 and clamp p/n AAA336MM1.

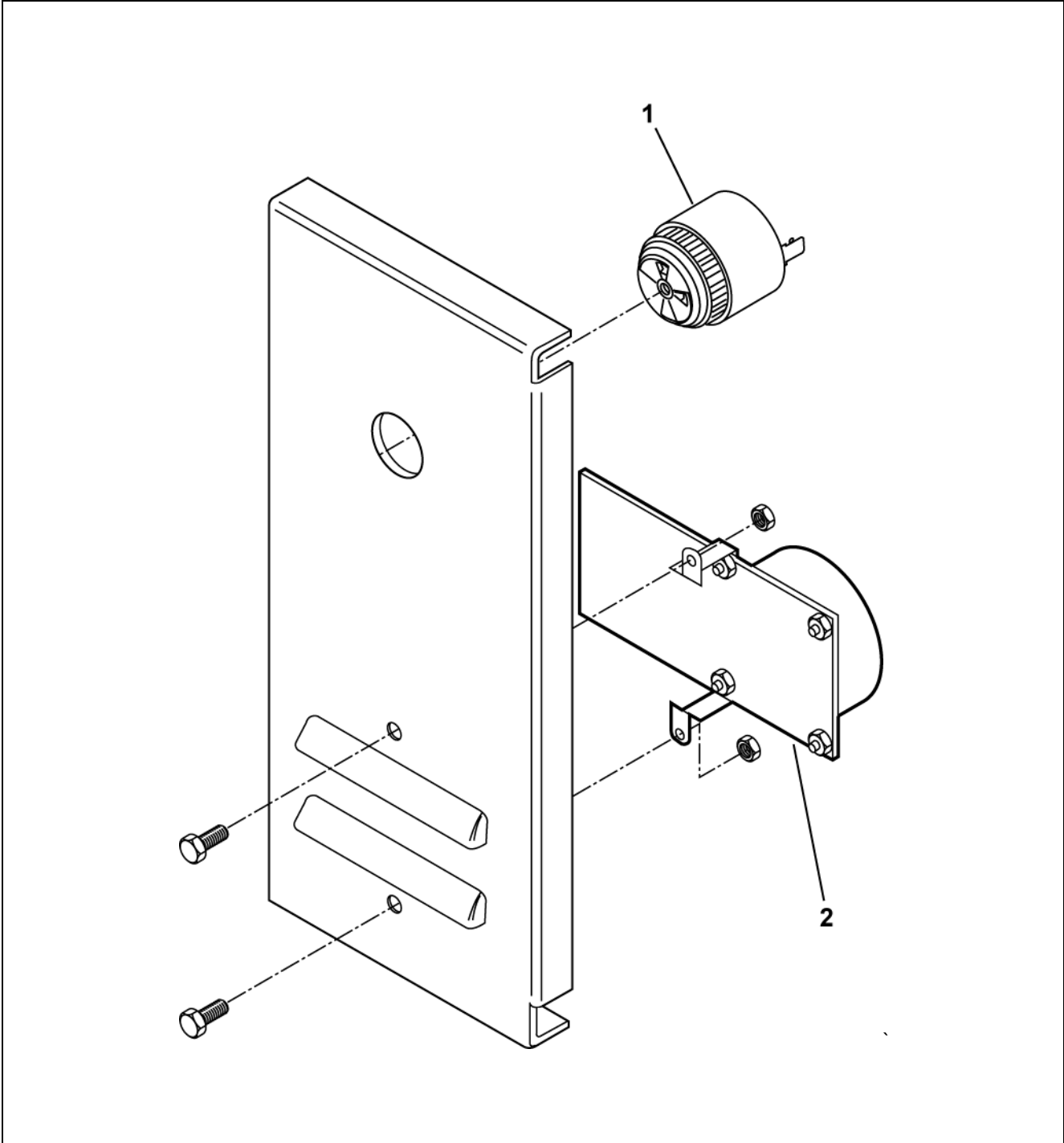
Top-of-Car Integration Box for Hydraulic Systems



REF. No.	PART No.	DESCRIPTION
	AAA25580AG	
1	AAA375BY2	Fuse, 0.25 A, Time-Delay (XF1), International, 250 V
	AAA375BY15	Fuse, 0.5 A, Time-Delay (XF1), USA and Canada, 125 V
2	AAA375CF5	Fuse, 4.0 A, 125 V (XF2), USA and Canada
	AAA375CF6	Fuse, 4.0 A, 250 V (XF2), International
3	AAA26800TU1 AAA25500AA1	PC Board, Emergency Lighting, USA and Canada, 110 V
	AAA26800TU2 AAA25500AA2	PC Board, Emergency Lighting, International, 220 V
4	AAA648C4	Receptacle, 15 A, 250 V, International
	641A3	Receptacle, GFCI, USA and Canada, 110 V

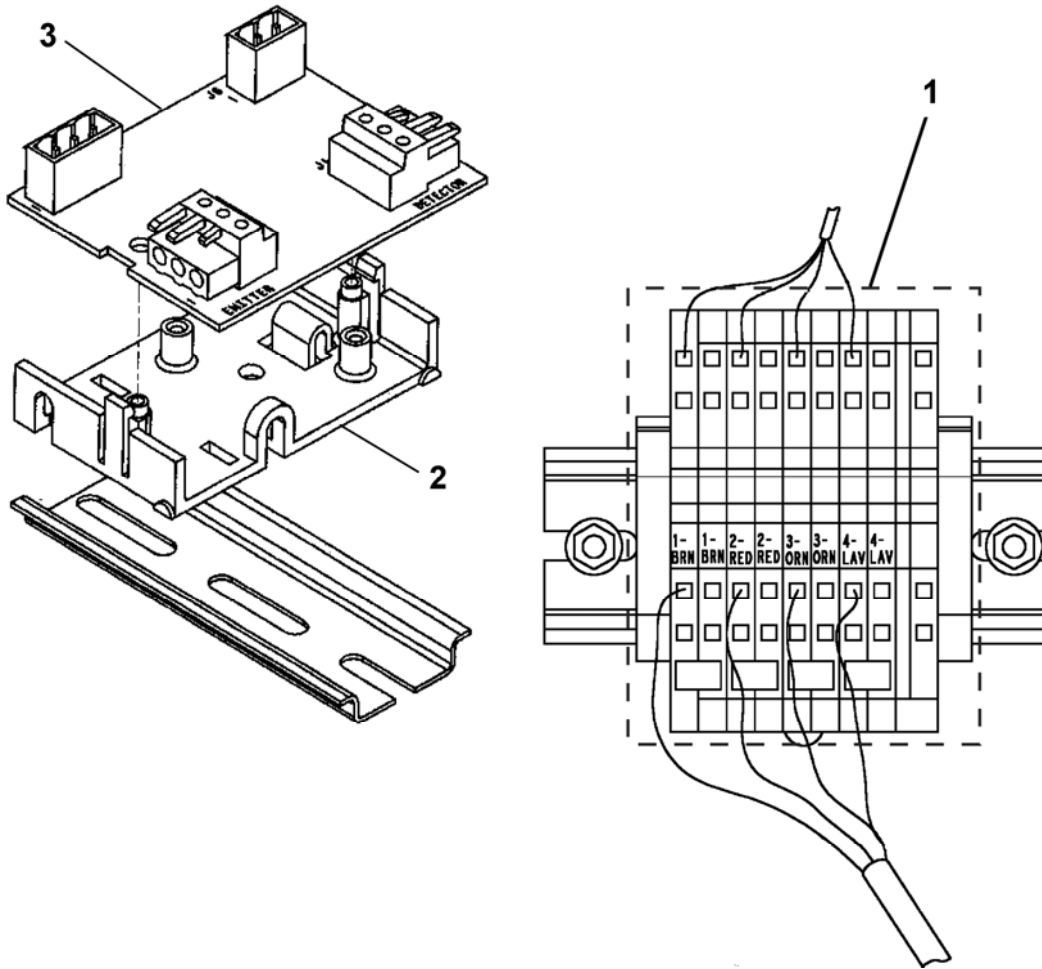
Top-of-Car Integration Box for Hydraulic Systems

17-AAA25580AG



REF. No.	PART No.	DESCRIPTION
	AAA25580AG	
1	AAA731C5	Alarm, Electrical
2	GCA23550B1	PC Board, Gong, w/o Mounting Brackets

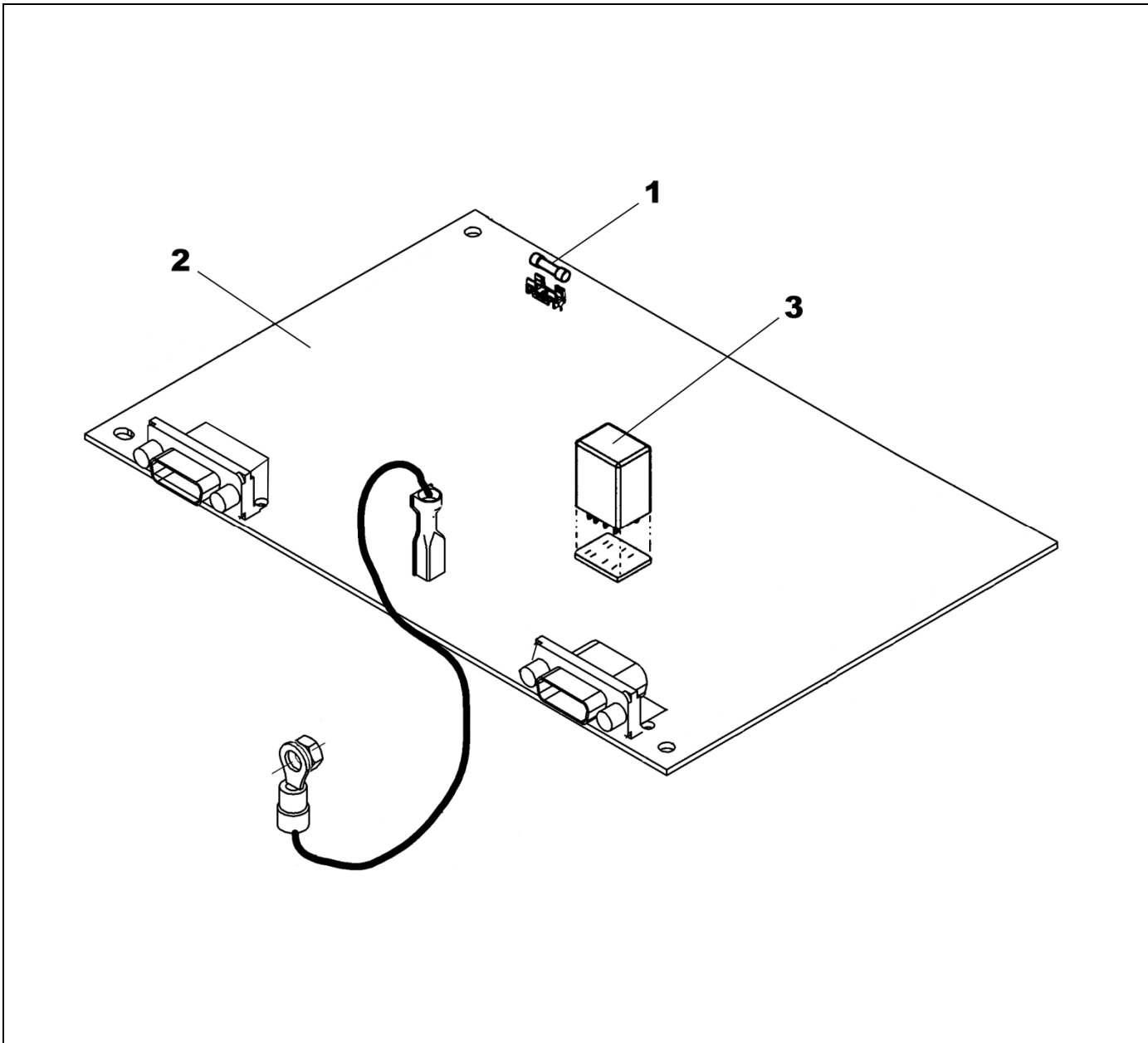
TOC Integration Box for Hydraulic Systems: Lambda LC Components



REF. No.	PART No.	DESCRIPTION
1	AAA21303CY2	Assembly, Terminal Block
2	AAA180FE1	Holder, Molded
3	AAA26800APY1	LAMBDA LC PC Board

TOC Integration Box for Hydraulic Systems: Lambda III Components

17-AAA25580AG



REF. No.	PART No.	DESCRIPTION
	AAA25580AG	
1	AAA375BY15	Fuse, 0.5 Amp, 115 VAC
2	AAA26800AGS1 AAA26800ARV1	PC Board, 30 VDC
3	AAA613CZ21	Relay, 24 VDC, for PC Board A__26800AGS1
	AAA613DB7	Relay, 24 VDC, for PC Board A__26800ARV1