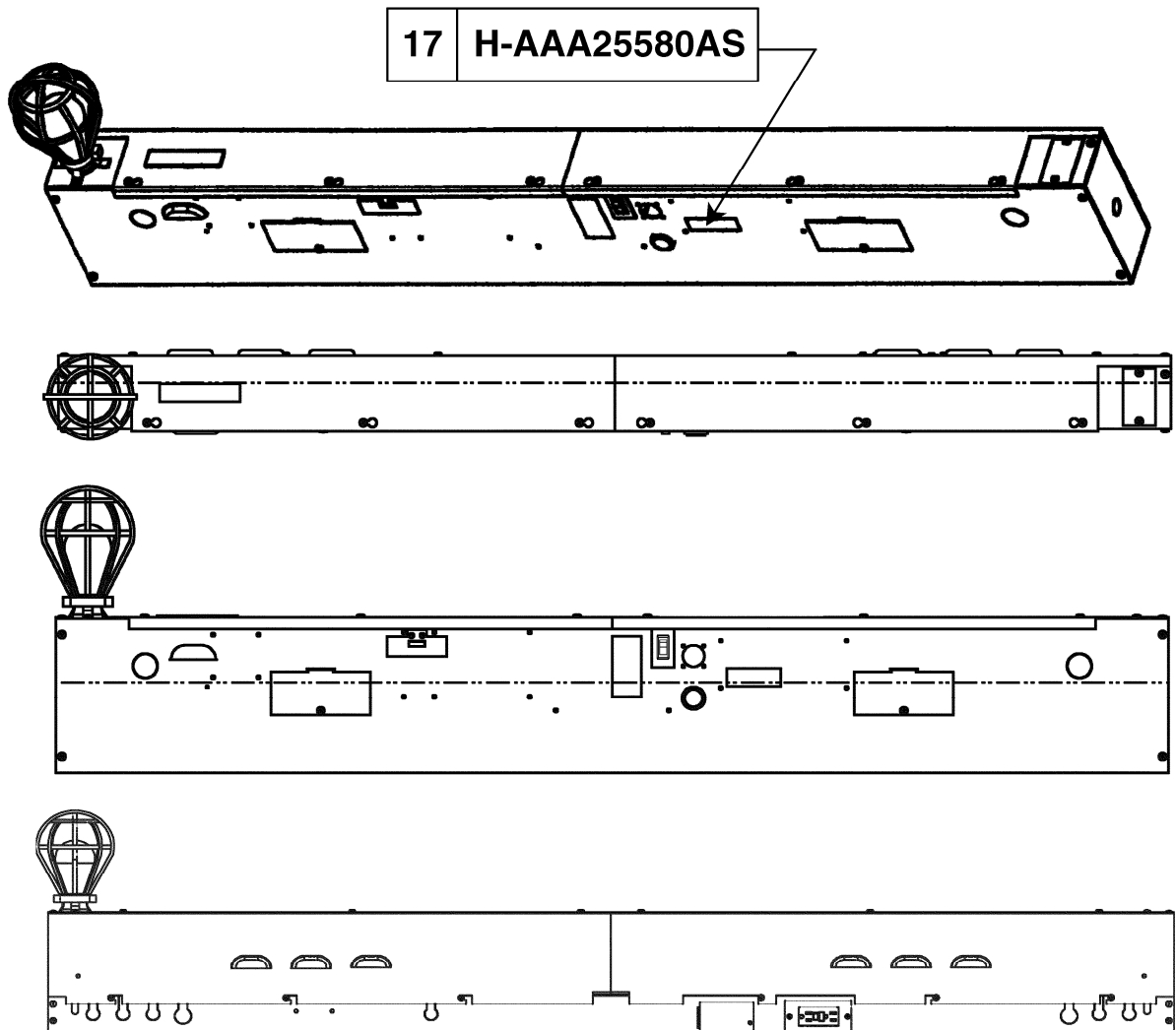


Top-of-Car
Integration Box
for Gen2® Systems

Spare Parts Leaflet
17-AAA25580AS

February 8, 2012 / Page 1 of 6



Unpublished Work—© Otis Elevator Co.; 2012

OTIS

Safety First!

SERVICE ENGINEERING
Otis Elevator Company
Bloomfield, Connecticut USA

Leaflet Description

The AAA25580AS top-of-car integration box was designed to fit on the Gen2 car top and house various discrete components and printed circuit boards. This enclosure also acts as wiring trough for harnesses originating from the CIB to the various car top components such as the SOS and EEC switches, and fan.

Leaflet Revisions

Date Revised	Subject Matter Expert	Reason for Revision
April 5, 2003	Brian Mierzejewski and Mike Garfinkel	New SPL
November 3, 2004	Brian Mierzejewski	Ref. 6 on page 3, part number was changed to GCA23550B1
September 14, 2006	John Dwyer	Ref. 9 on page 3, p/n 177DM1 was superseded by p/n AAA177EN6
December 23, 2009	Starr Walker and Matt Fournier	Added parts on p. 3
April 14, 2010	Sohaib Shaikh	Added new pages 5 and 6
July 21, 2010	Brian Mierzejewski	Changed part number 641A4 to 641A3.
February 8, 2012	Rich Pustelniak and Sohaib Shaikh	Replaced LAMBDA 3D controller AAA26800AGS1 with AAA26800ARV1

Related Drawings

Drawing No.	Title	Drawing No.	Title
AAA25580AS	Integrated Top of Car Box Gen 2	---	---

Related Documents

Document ID	Title
SPL 17-AAA25580A	Top-of-Car Integration Box
SPL 17-AAA25580Q	Top-of-Car Integration Box for Traction Systems
SPL 17-AAA25580S	Top-of-Car Integration Box for Hydraulic Systems

Subject Matter Expert

Name	Department
Sohaib Shaikh	OSC Service Engineering

About Spare Parts Leaflets...

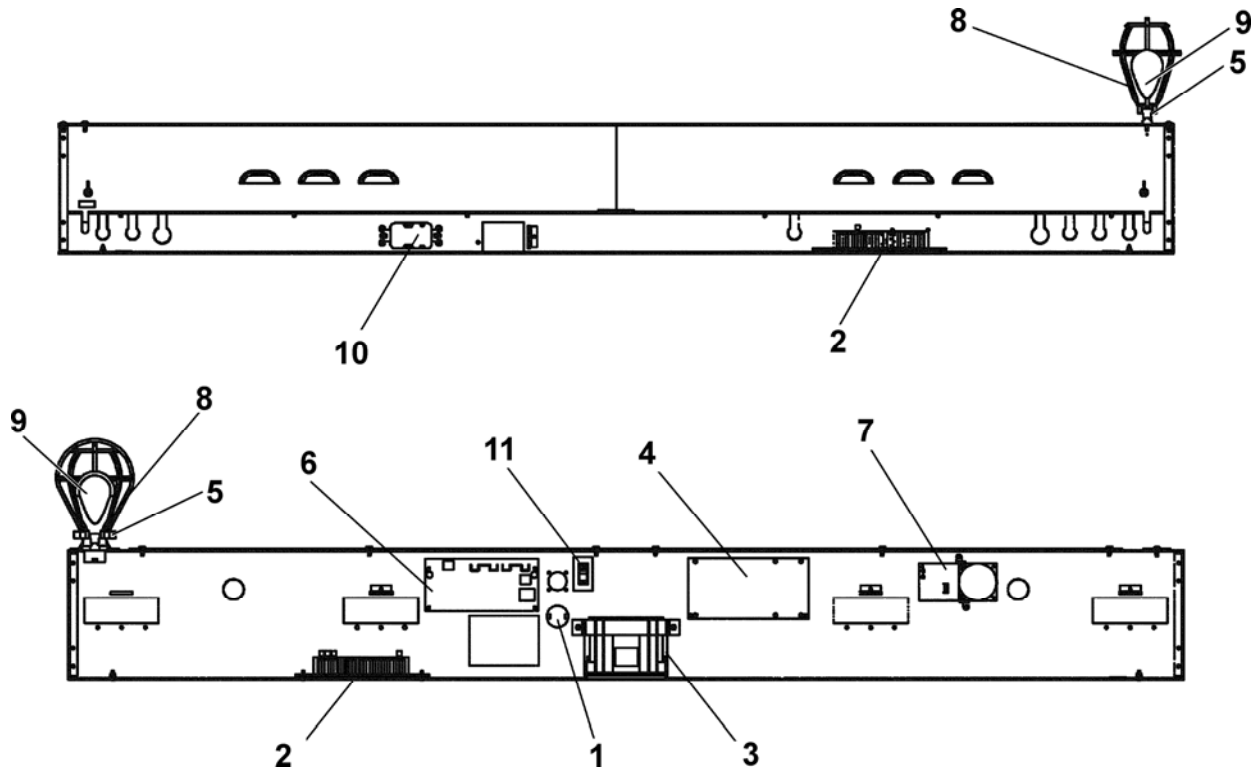
This document lists the lowest replaceable units (LRUs) for the standard version of the product. The LRUs are chosen by a team of Otis associates representing engineering and manufacturing.


While goal of this document is to make parts identification as easy as possible, the document cannot be all-inclusive. Elevator and escalator contracts classified as "special" or "custom" are not addressed here. For such contracts, please refer to specified information, the contract folder, TIPs, Field Education Articles, Construction Letters, etc. for further information.

If you have any suggestions about this document, please contact the subject matter expert listed on this page.

Top-of-Car Integration Box

17-AAA25580AS



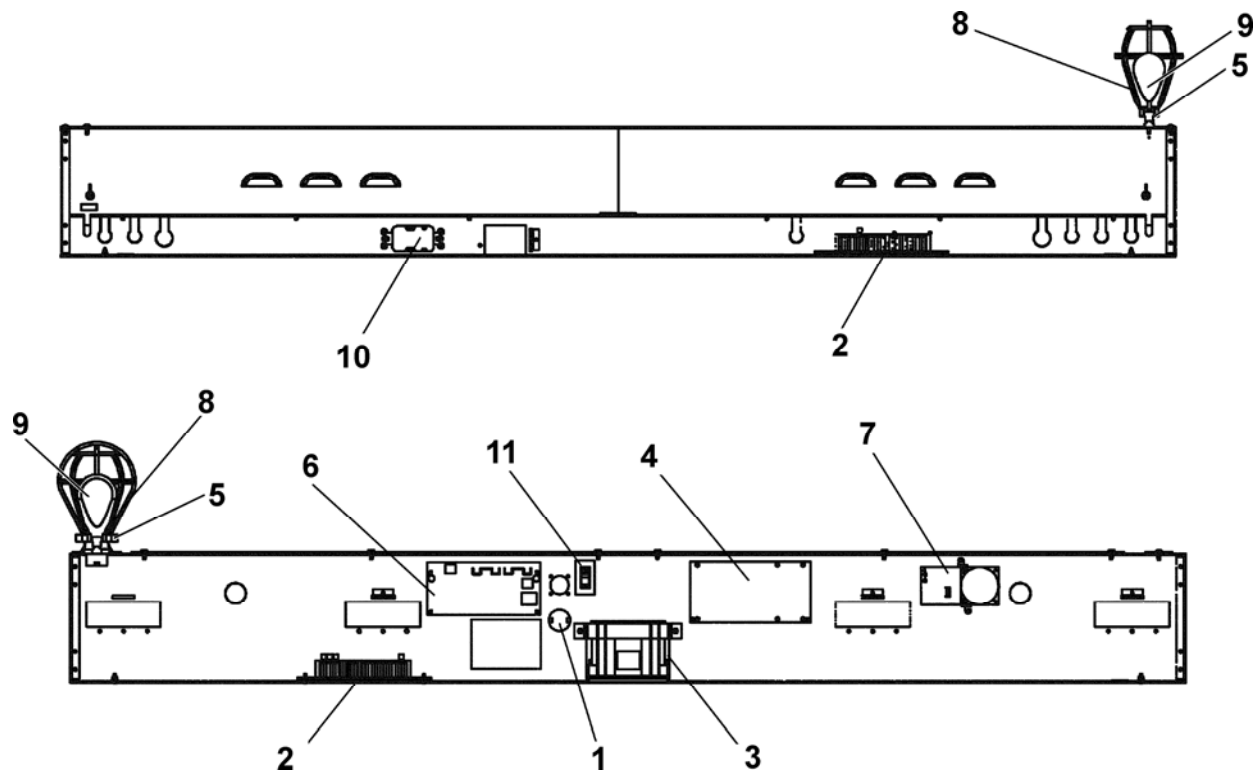
REF. No.	PART No.	DESCRIPTION
	AAA25580AS	
1	AAA731C5	Alarm, Electrical
2	AAA21303CY3	Assembly, Terminal Block
3	AAA718E10	Battery, Rechargeable
4	AAA26800TU1 AAA25500AA1	Board, Emergency Lighting, Lighting Supply = 110 V
	AAA26800TU2 AAA25500AA2	Board, Emergency Lighting, Lighting Supply = 220 V
5	AAA336MM1	Clamp, Lamp Guard (see NOTE)
6	---	Controller, LAMBDA Door Detector,  pp. 5 and 6
7	GCA23550B1	Gong Board (not in all units)
8	AAA384ABX1	Guard, Lamp (see NOTE)
9	6599D14	Lamp, 125 V, 100 W, Lighting Supply = 110 V
	6599D15	Lamp, 250 V, 100 W, Lighting Supply = 220 V
10	641A3	Receptacle, GFCI, Lighting Supply = 110 V
	AAA648C4	Receptacle, Lighting Supply = 220 V
11	477DM1 AAA177EN6	Switch, Toggle

NOTE: Part number AAA336MM1 is used with p/n AAA384ABX1.

(Continued on next page)

17-AAA25580AS

Top-of-Car Integration Box—Fuse

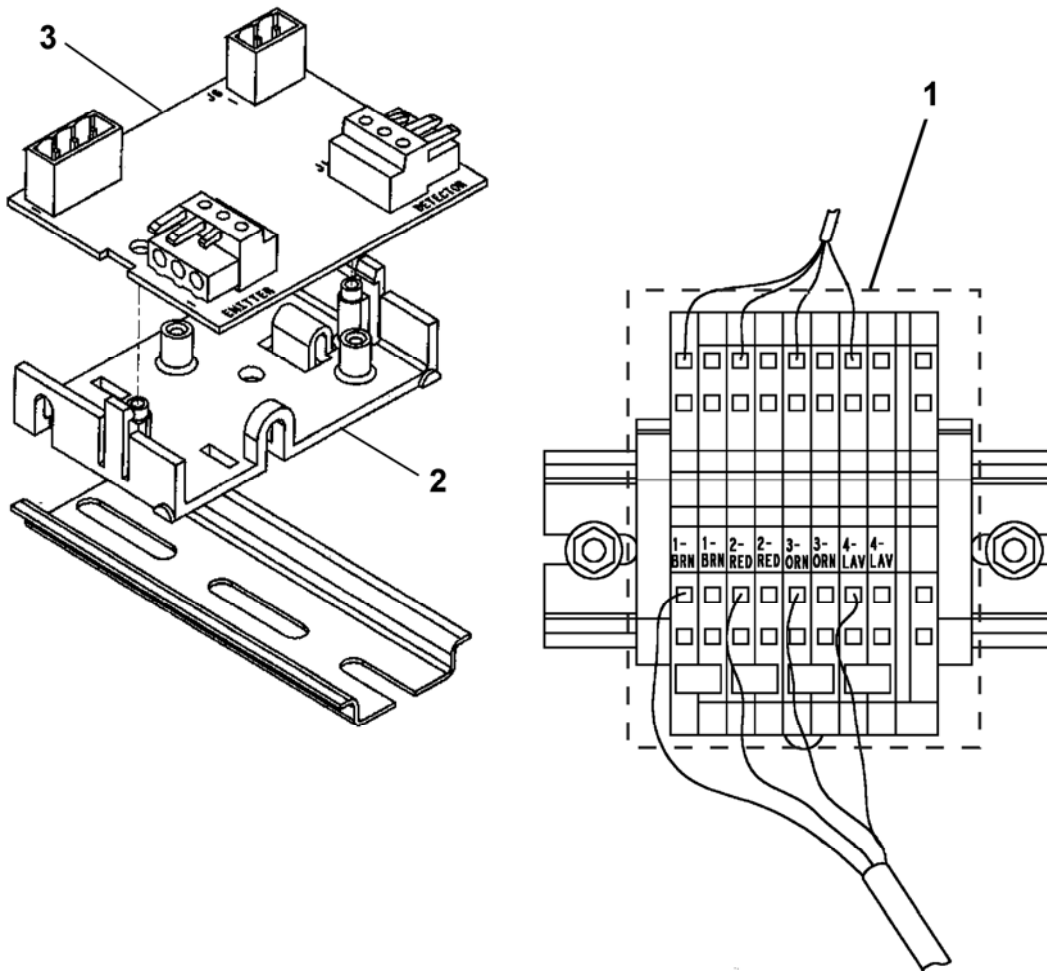


REF. No.	PART No.	DESCRIPTION
	AAA25580AS	
*	AAA375BY15	Fuse, 0.5 A, 125 V (LAMBDA® III plus emergency lighting board), Lighting Supply = 110 V
	AAA375BY2	Fuse, 0.25 A, 250 V (LAMBDA® III plus emergency lighting board), Lighting Supply = 220 V
	AAA375CF5	Fuse, 4.0 A, 125 V (emergency lighting board), Lighting Supply = 110 V
	AAA375CF6	Fuse, 4.0 A, 250 V (emergency lighting board), Lighting Supply = 220 V

* Part not shown.

17-AAA25580AS

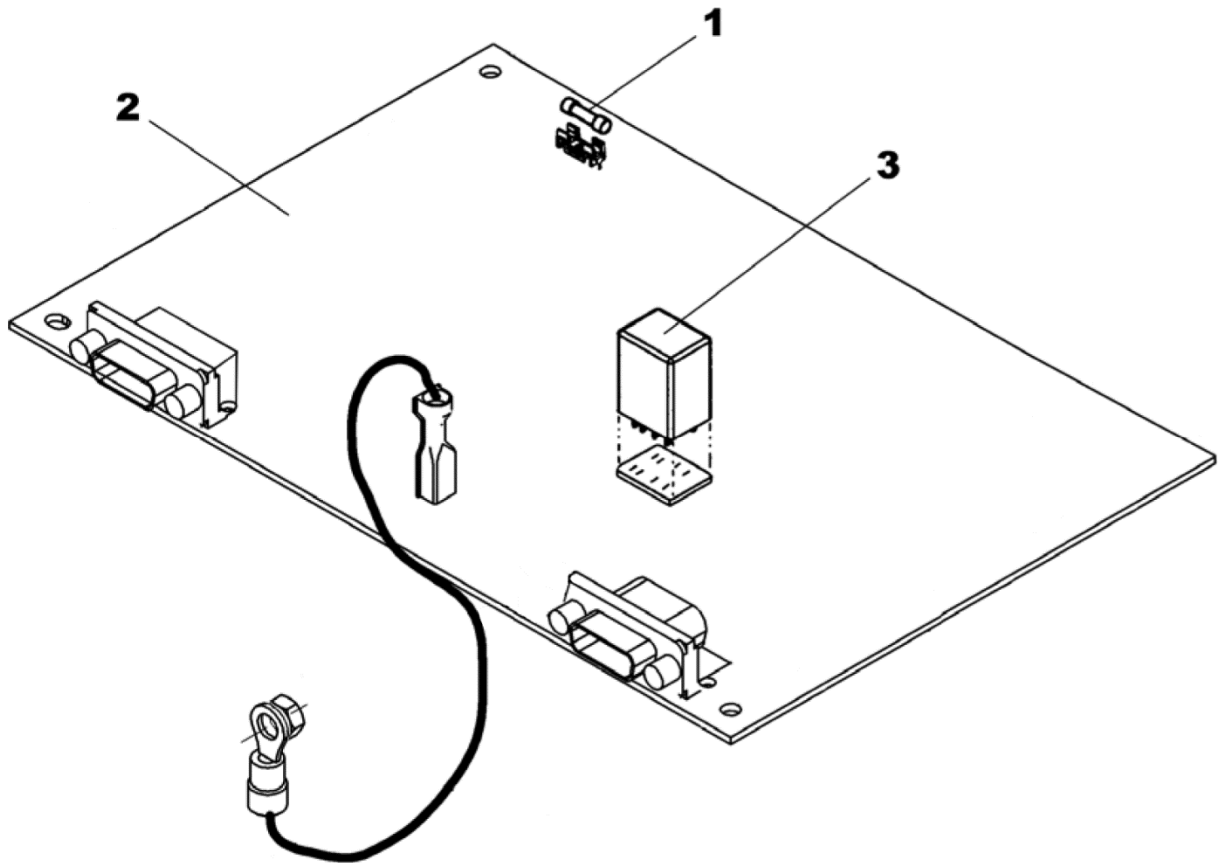
TOC Integration Box: Lambda LC Components



REF. No.	PART No.	DESCRIPTION
1	AAA21303CY2	Assembly, Terminal Block
2	AAA180FE1	Holder, Molded
3	AAA26800APY1	LAMBDA LC PC Board

TOC Integration Box: Lambda III Components

17-AAA25580AS



REF. No.	PART No.	DESCRIPTION
	AAA25580AS	
1	AAA375BY15	Fuse, 0.5 Amp, 115 VAC
2	AAA26800AGS1 AAA26800ARV1	PC Board, 30 VDC
3	AAA613CZ21	Relay, 24 VDC, for PC Board A__26800AGS1
	AAA613DB7	Relay, 24 VDC, for PC Board A__26800ARV1