

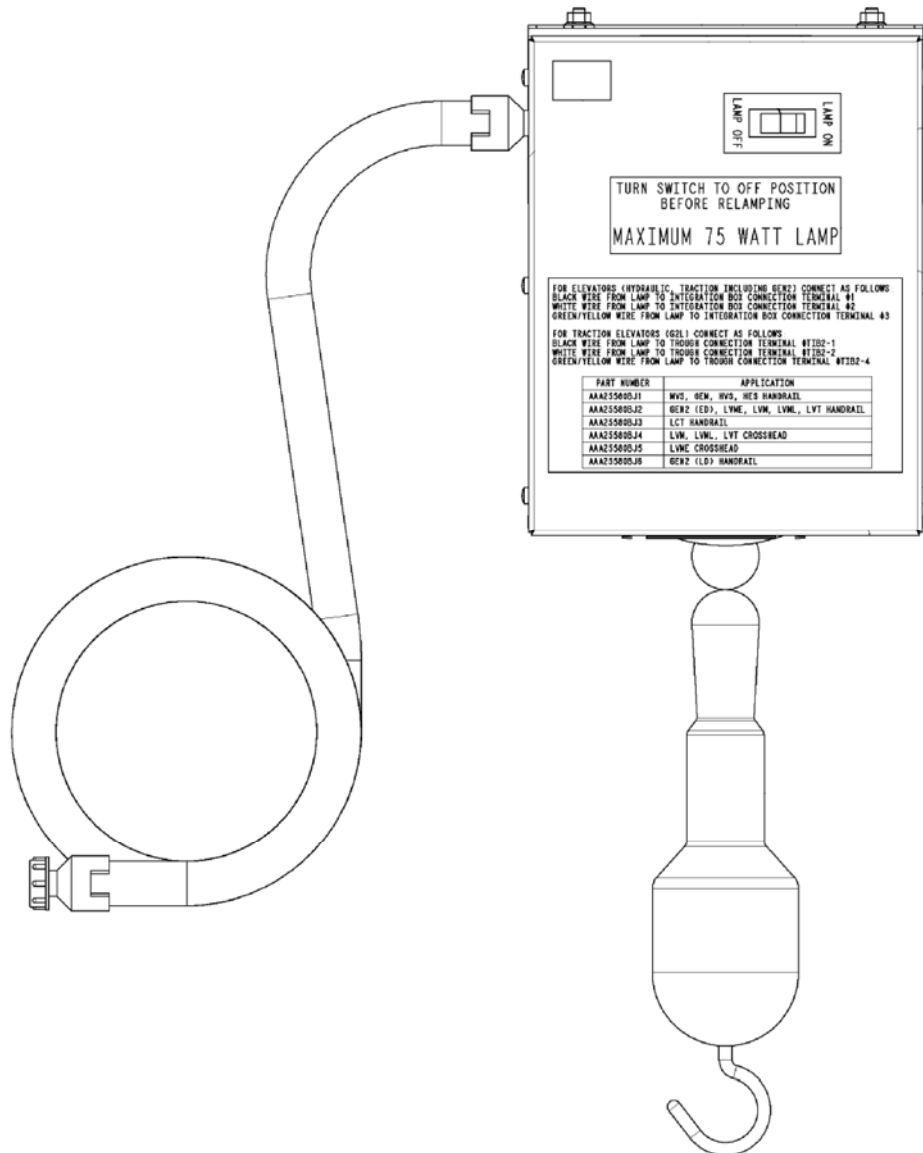
# Auxiliary Work Light Assembly

Spare Parts Leaflet

17-AAA25580BJ

March 27, 2013 / Page 1 of 5

**W/O VINTAGE**



Unpublished Work—© Otis Elevator Co.; 2013



Safety First!

SERVICE ENGINEERING  
 Otis Elevator Company  
 Bloomfield, Connecticut USA

## Leaflet Description

Type AAA25580BJ auxiliary work light was designed to fit on all current production car tops and provide code required lighting to the top of car, as required by A17.1-2007 and later codes.

## Leaflet Revisions

Date Revised	Subject Matter Expert	Reason for Revision
August 3, 2011	Troy Chicoine	New SPL
March 27, 2013	Troy Chicoine	Added p/ns AAA25580BJ7 and AAA25580BJ8 on p. 3, ref. 1

## Related Drawings

Drawing No.	Title	Drawing No.	Title
AAA25580BJ	Auxiliary Work Light Assembly	---	---

## Related Documents

Document ID	Title
---	---

## Subject Matter Expert

Name	Department
Troy Chicoine	Otis Service Engineering

## About Spare Parts Leaflets...

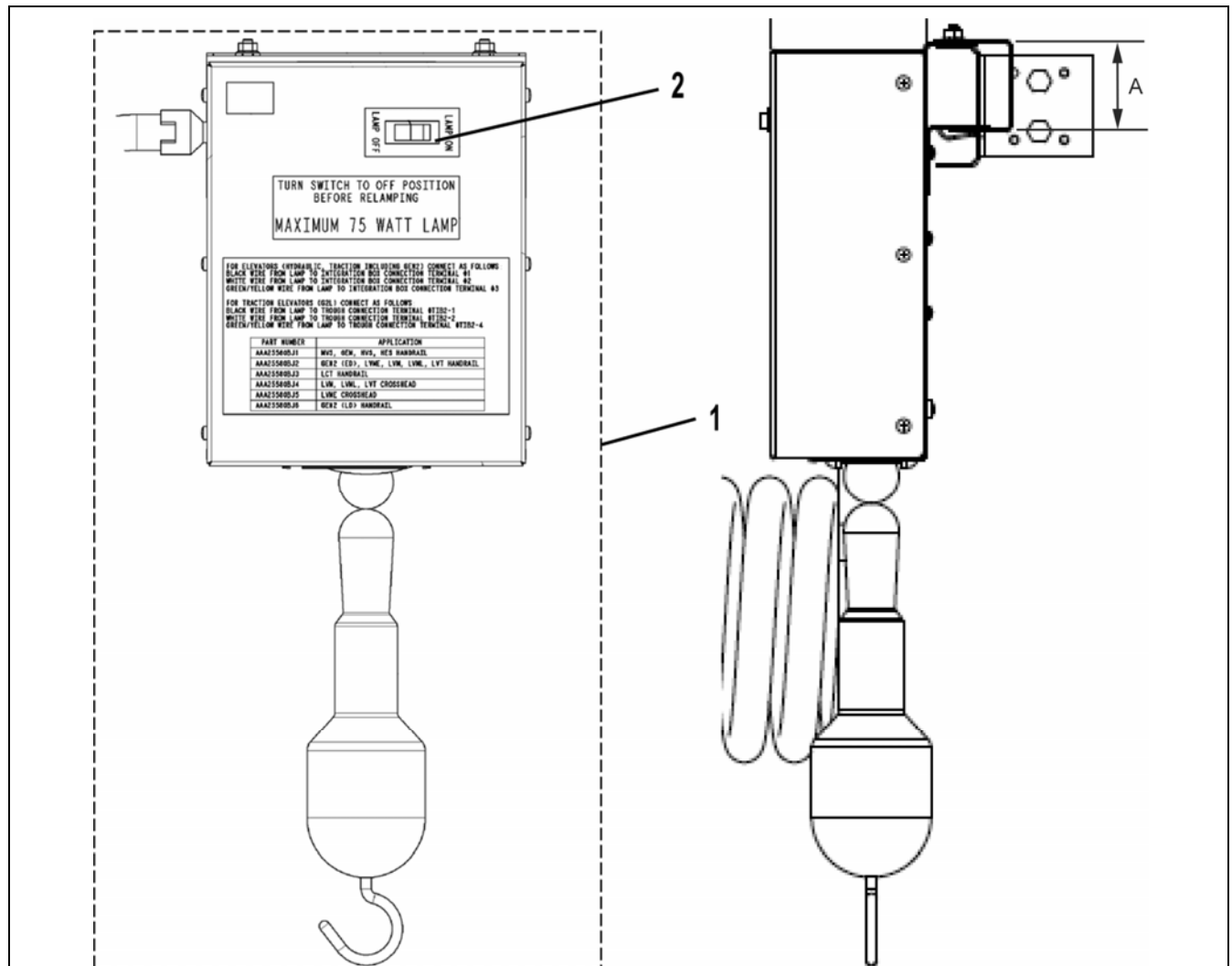
This document lists the lowest replaceable units (LRUs) for the standard version of the product. The LRUs are chosen by a team of Otis associates representing engineering and manufacturing.

While goal of this document is to make parts identification as easy as possible, the document cannot be all-inclusive. Elevator and escalator contracts classified as "special" or "custom" are not addressed here. For such contracts, please refer to specified information, the contract folder, TIPs, Field Education Articles, Construction Letters, etc. for further information.

If you have any suggestions about this document, please contact the subject matter expert listed on this page.

# Auxiliary Work Light

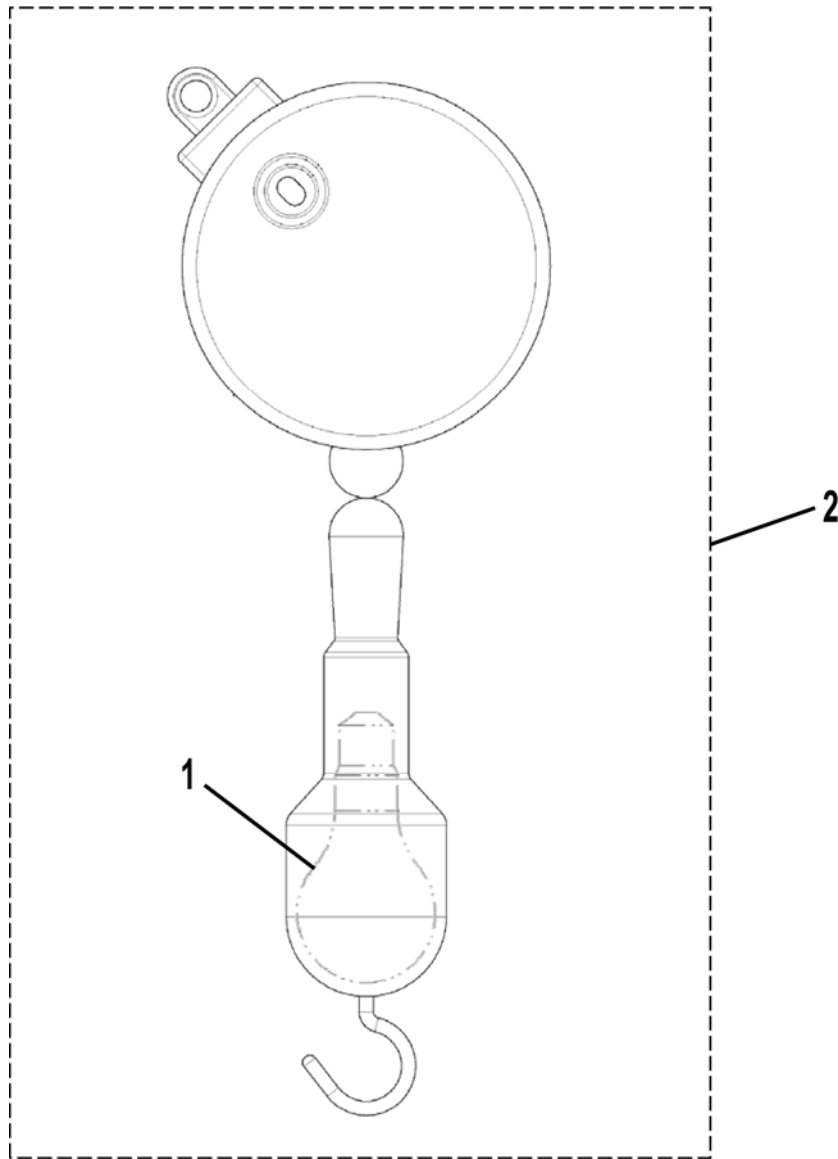
17-AAA25580BJ



REF. No.	PART No.	DESCRIPTION	A (mm)
		W/O VINTAGE	
1	AAA25580BJ1	Assy, Aux. Work Light for MVS, GEM, HVS, HES Handrail, G2L, G2LS	50
	AAA25580BJ2	Assy, Aux. Work Light for GEN2 (ED), LVME, LVM, LVML, LVT Handrail	52
	AAA25580BJ3	Assy, Aux. Work Light for LCT Handrail	
	AAA25580BJ4	Assy, Aux. Work Light for LVM, LVML, LVT Crosshead	142
	AAA25580BJ5	Assy, Aux. Work Light for LVME Crosshead	104
	AAA25580BJ6	Assy, Aux. Work Light for GEN2 (LD) Handrail	35
	AAA25580BJ7	Assy, Aux. Work Light for G2S, Post Mount	---
	AAA25580BJ8	Assy, Aux. Work Light for G2O, Handrail	52
2	AAA177EN6	Switch, Toggle	---

17-AAA25580BJ

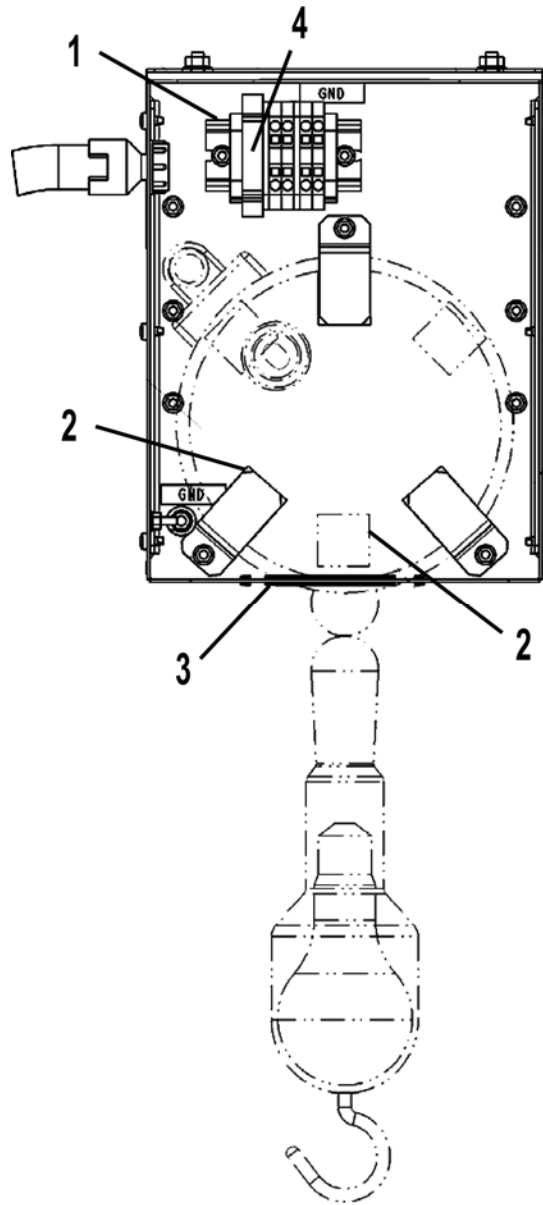
# Auxiliary Work Light



W/O VINTAGE		
REF. No.	PART No.	DESCRIPTION
1	6599D17	Lamp, 74W, 130 VAC
2	AAA417CR1	Light, Auxiliary Work

# Auxiliary Work Light

17-AAA25580BJ



REF. No.	W/O VINTAGE PART No.	DESCRIPTION
1	AAA21303CY5	Assembly, Terminal Block
2	320CE3	Bumper (Foam Tape)
3	334AX4	Grommet
4	AAA375BR6	Fuse, 1 Amp, Time Delay Glass Body