

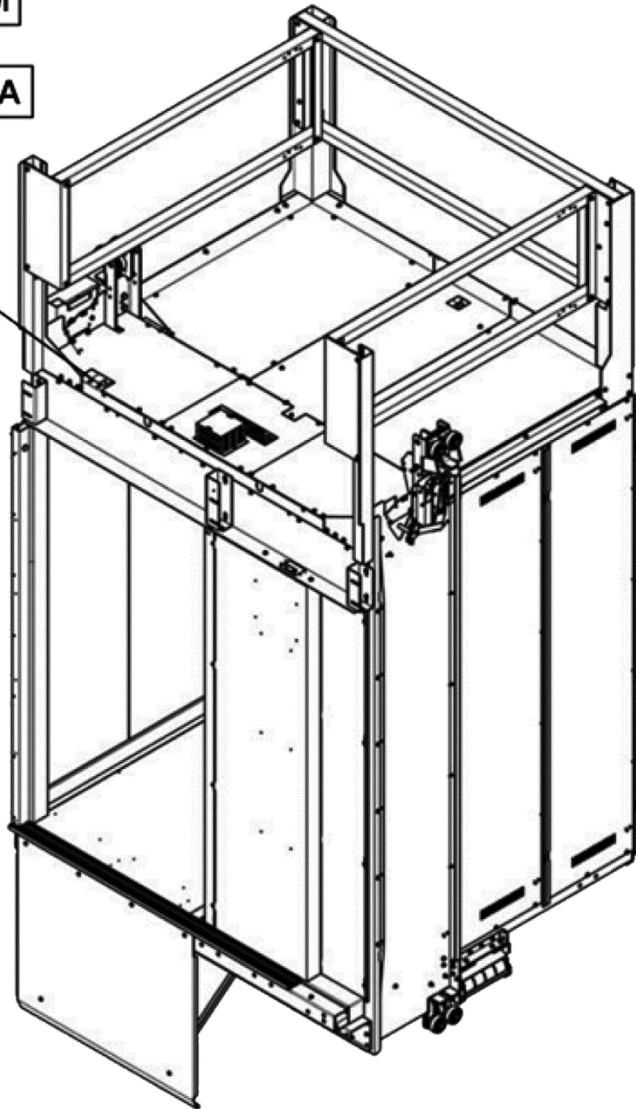
Gen2 Underslung &
HydroFit®
Top-of-Car Handrail

Spare Parts Leaflet

17-AAA25580CA

September 2, 2015 / Page 1 of 3

- 17 AAA25580CZ
- 17 AAA25580CM
- 17 AAA25580CA



OTIS

SERVICE ENGINEERING
Otis Elevator Company
Bloomfield, Connecticut USA

Unpublished Work—© Otis Elevator Co.; 2015

Leaflet Description

This leaflet covers the top-of-car handrail parts used on the Gen2 Underslung and the HydroFit™.

Leaflet Revisions

| Date Revised | Subject Matter Expert | Reason for Revision |
|-------------------|--------------------------------|---------------------------------------|
| April 17, 2013 | Richard Blakelock | New SPL |
| December 18, 2013 | Kyle Pereira | Updated to include AAA25580CM vintage |
| September 2, 2015 | Jay Lengacher and Kyle Pereira | Updated to include AAA25580CZ vintage |

Related Drawings

| Drawing No. | Title | Drawing No. | Title |
|-------------|---------------------|-------------|---------------------|
| AAA25580CA | Top-of-Car Handrail | AAA29507C | Hardware Kits |
| AAA25580CM | Top-of-Car Handrail | AAA25580CZ | Top-of-Car Handrail |

Related Documents

| Document ID | Title |
|-------------------|--|
| SPL 14-AAA29507C | Gen2 150 Carframe (2100–3500 lb. Duties) |
| SPL 14-AAA29507K | Gen2 Underslung & HydroFit™ Car frames (2100-4000 lb. duties) |
| SPL 14-AAA29507M | Gen2 Underslung & HydroFit™ Service Carframes (4000-5000 lb. duties) |
| SPL17-AAA25580CM | Gen2 Underslung & HydroFit™ Top-of-Car Handrail (4000-5000 lb. Duties) |
| SPL 17-AAA25580CZ | Gen2 Underslung & HydroFit® Top-of-Car Handrail |

Subject Matter Expert

| Name | Department |
|--------------|-------------------------|
| Kyle Pereira | OSC Service Engineering |

About Spare Parts Leaflets...

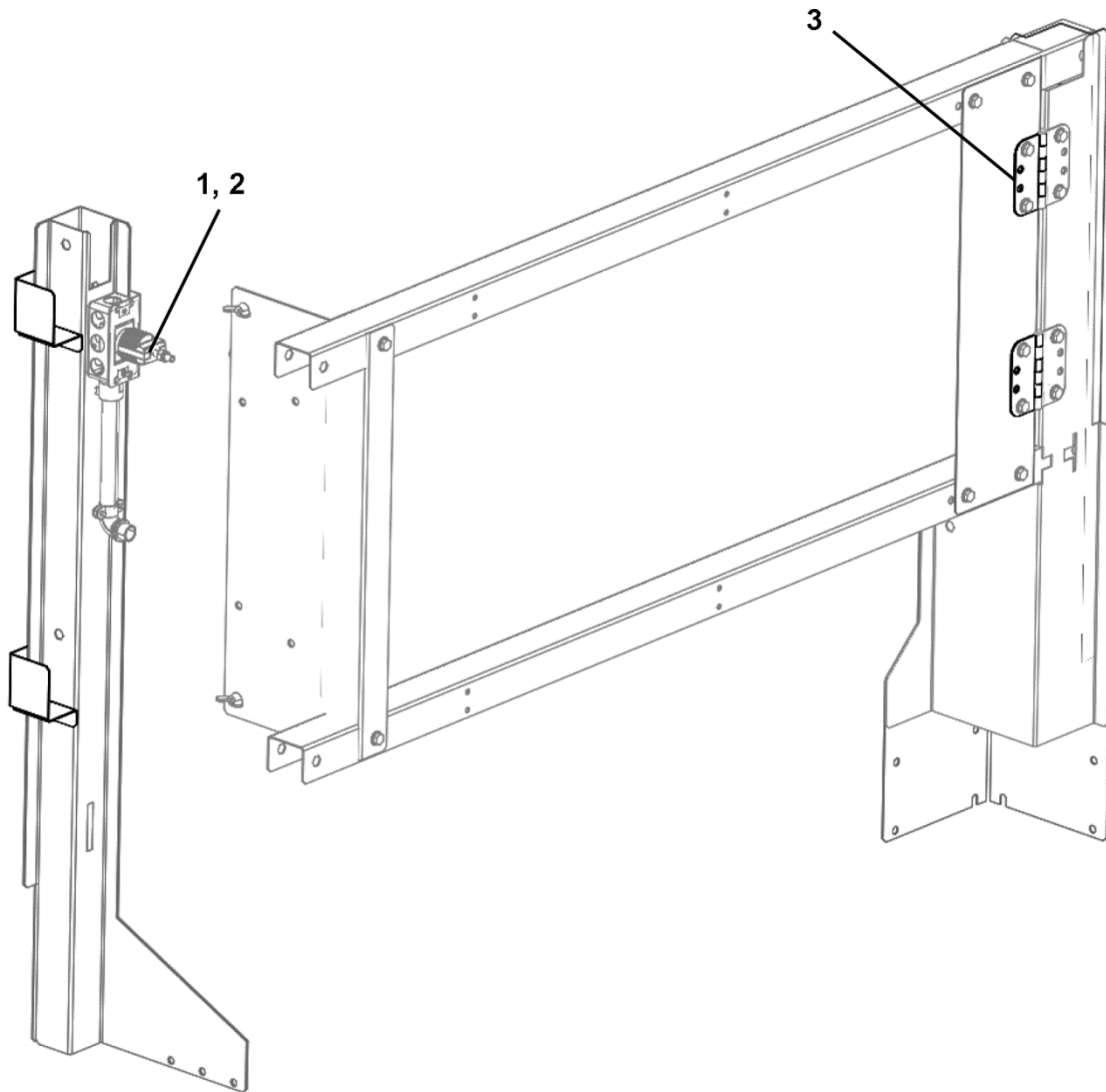
This document lists the lowest replaceable units (LRUs) for the standard version of the product. The LRUs are chosen by a team of Otis associates representing engineering and manufacturing.

While goal of this document is to make parts identification as easy as possible, the document cannot be all-inclusive. Elevator and escalator contracts classified as “special” or “custom” are not addressed here. For such contracts, please refer to specified information, the contract folder, TIPs, Field Education Articles, Construction Letters, etc. for further information.

If you have any suggestions about this document, please contact the subject matter expert listed on this page.

Top-of-Car Handrail

17-AAA25580CA



AAA25580CA
AAA25580CM
AAA25580CZ

| REF. No. | PART No. | DESCRIPTION |
|----------|-----------|-------------------|
| 1 | AAA648C3 | Connector, Plug |
| 2 | 618AD1 | Connector, Socket |
| 3 | AAA391EE1 | Hinge |