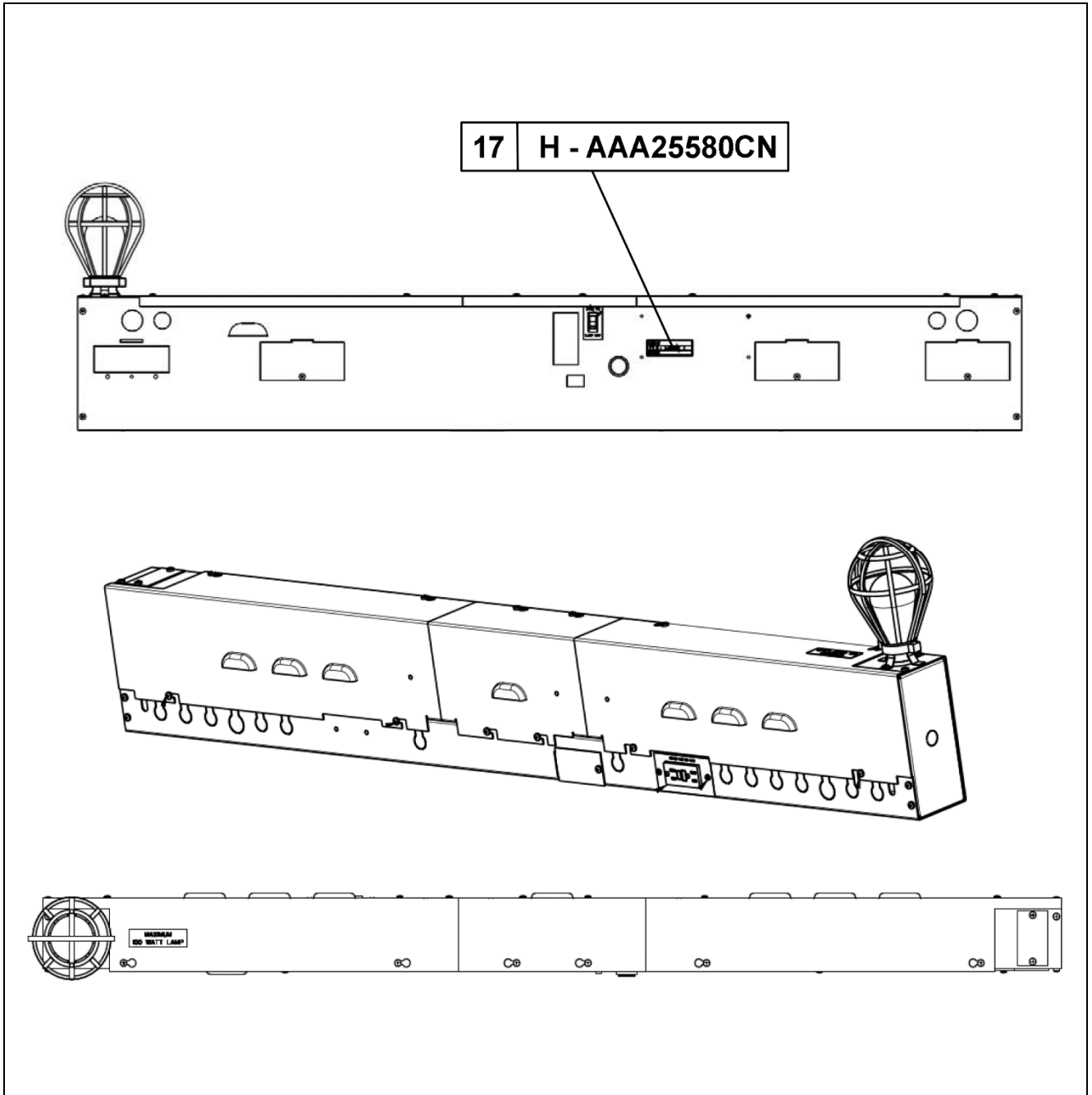


Top-of-Car Integration Box for Gen2® Systems

Spare Parts Leaflet
17-AAA25580CN

October 10, 2018 / Page 1 of 4



OTIS

This document does not contain any
technical data subject to EAR or ITAR

SERVICE ENGINEERING
Otis Elevator Company
Bloomfield, Connecticut USA

Unpublished Work—© Otis Elevator Co.; 2018

Leaflet Description

The AAA25580CN rear top-of-car integration box was designed to fit on the Gen2® RSL car top and houses various discrete components and printed circuit boards. This enclosure also acts as wiring trough for harnesses originating from the CIB to the various car top components.

Leaflet Revisions

Date Revised	Subject Matter Expert	Reason for Revision
October 10, 2018	Brandon Hiott and Sohaib Shaikh	New SPL

Related Drawings

Drawing No.	Title	Drawing No.	Title
AAA22580CN	Front Top of Car Integration Box for Gen 20	---	---

Related Documents

Document ID	Title
SPL 17-AAA25580CP	<i>Rear Top of Car Integration Box with Door Detector G20</i>

Subject Matter Expert

Name	Department
Sohaib Shaikh	OSC Service Engineering

About Spare Parts Leaflets...

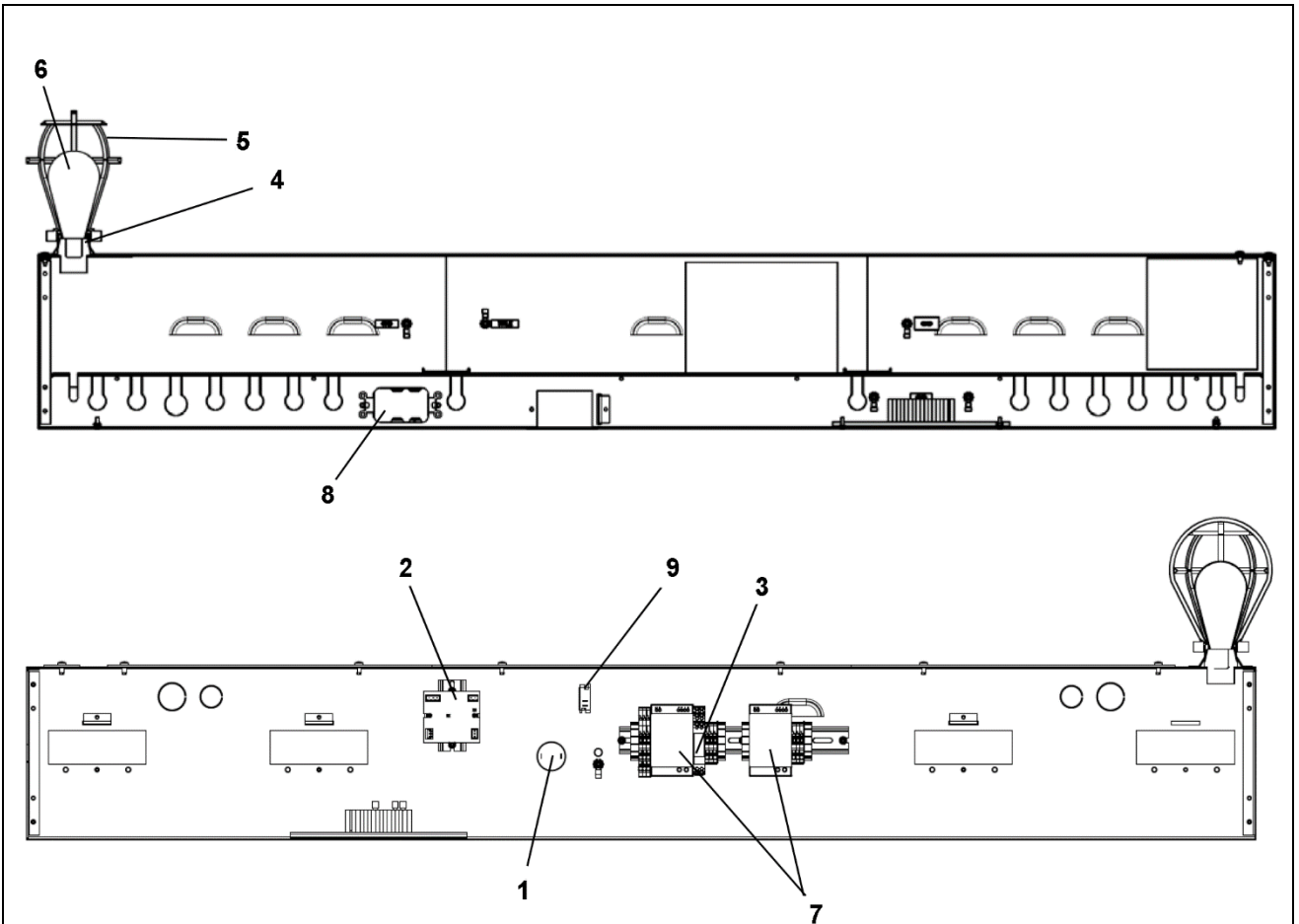
This document lists the lowest replaceable units (LRUs) for the standard version of the product. The LRUs are chosen by a team of Otis associates representing engineering and manufacturing.

While goal of this document is to make parts identification as easy as possible, the document cannot be all-inclusive. Elevator and escalator contracts classified as “special” or “custom” are not addressed here. For such contracts, please refer to specified information, the contract folder, TIPs, Field Education Articles, Construction Letters, etc. for further information.

If you have any suggestions about this document, please contact the subject matter expert listed on this page.

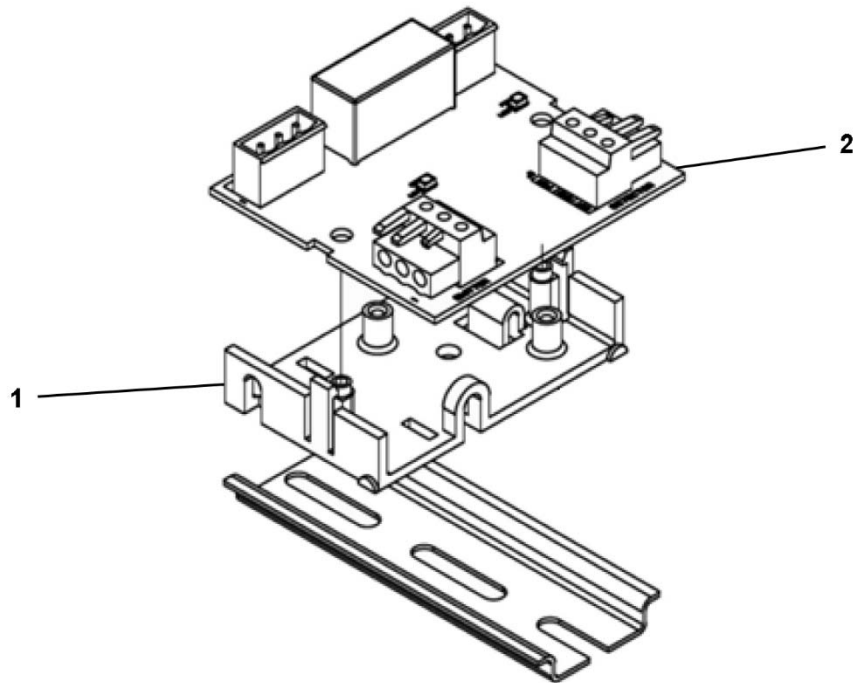
Top-of-Car Integration Box for Gen2[®] Systems

17-AAA25580CN



REF. No.	PART No.	DESCRIPTION
	AAA25580CN	
1	AAA731C5	Alarm, Electrical
2	AAA24520N2	Assembly, OPTIGUARD [®] PCB
3	AAA303EP237	Block, Relay Terminal, 120VAC
4	AAA336MM1	Clamp, Lamp Guard
5	AAA384ABX1	Guard, Lamp
6	6599D14	Lamp, 125 V, 100 W
7	AAA621AT25	Power Supply, 24VDC, 2.5A, 100–240VAC Input
8	641A3	Receptacle, GFCI
9	AAA177EN6	Switch, Toggle

TOC Integration Box for Gen2®
Systems: OPTIGUARD® Components



REF. No.	PART No.	DESCRIPTION
1	AAA180FE1	Holder, Molded
2	AAA24591AM117	OPTIGUARD® PCB