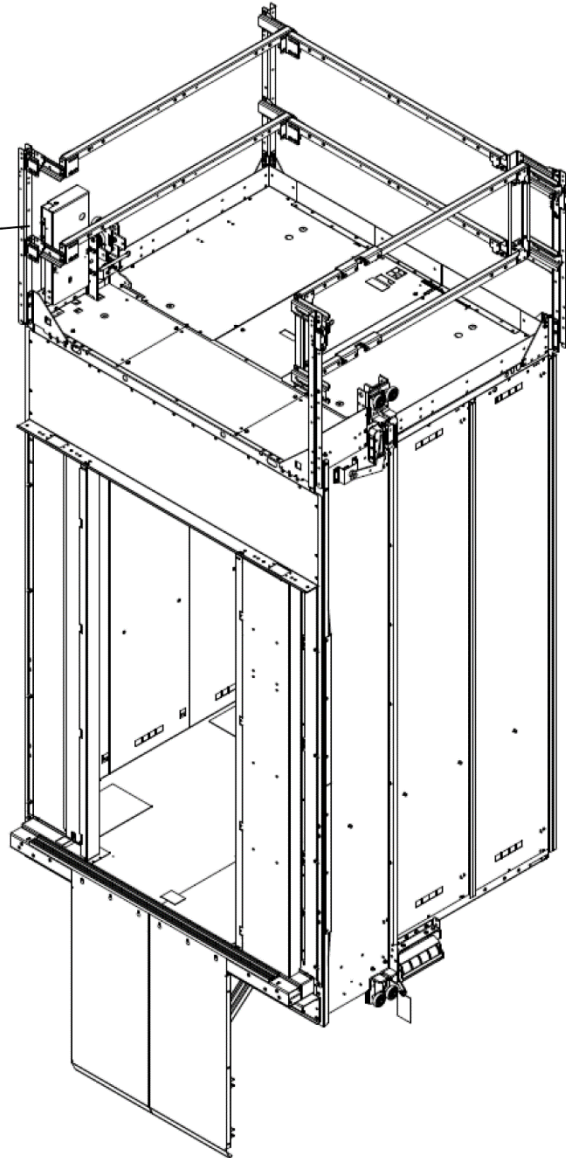


**Gen2® Underslung &  
HydroFit® Top-of-Car  
Handrail**

**Spare Parts Leaflet  
17-AAA25580DS**

**February 26, 2020 / Page 1 of 3**

17 AAA25580DS



**OTIS**

This document does not contain any  
technical data subject to EAR or ITAR

**SERVICE ENGINEERING  
Otis Elevator Company  
Bloomfield, Connecticut USA**

Unpublished Work—© Otis Elevator Co.; 2020

**Leaflet Description**

This leaflet covers the top-of-car handrail parts used on the Gen2® Underslung and the HydroFit®.

**Leaflet Revisions**

<b>Date Revised</b>	<b>Subject Matter Expert</b>	<b>Reason for Revision</b>
November 14, 2018	Richard Blakelock and Juan Murillo	New leaflet
February 26, 2020	Juan Murillo	Added p/n AAA81RL2 on p. 3

**Related Drawings**

<b>Drawing No.</b>	<b>Title</b>	<b>Drawing No.</b>	<b>Title</b>
AAA25580DS	Top-of-Car Handrail	AAA29507V	Handrail Kits

**Related Documents**

<b>Document ID</b>	<b>Title</b>
SPL 14-AAA29507S	Gen2 Underslung & HydroFit® Passenger Car Frames (2100-4000 lb. duties)
SPL 14-AAA29507T	Gen2 Underslung & HydroFit® Service Car Frames (4000-5000 lb. duties)

**Subject Matter Expert**

<b>Name</b>	<b>Department</b>
Juan Murillo	OSC Service Engineering

**About Spare Parts Leaflets...**

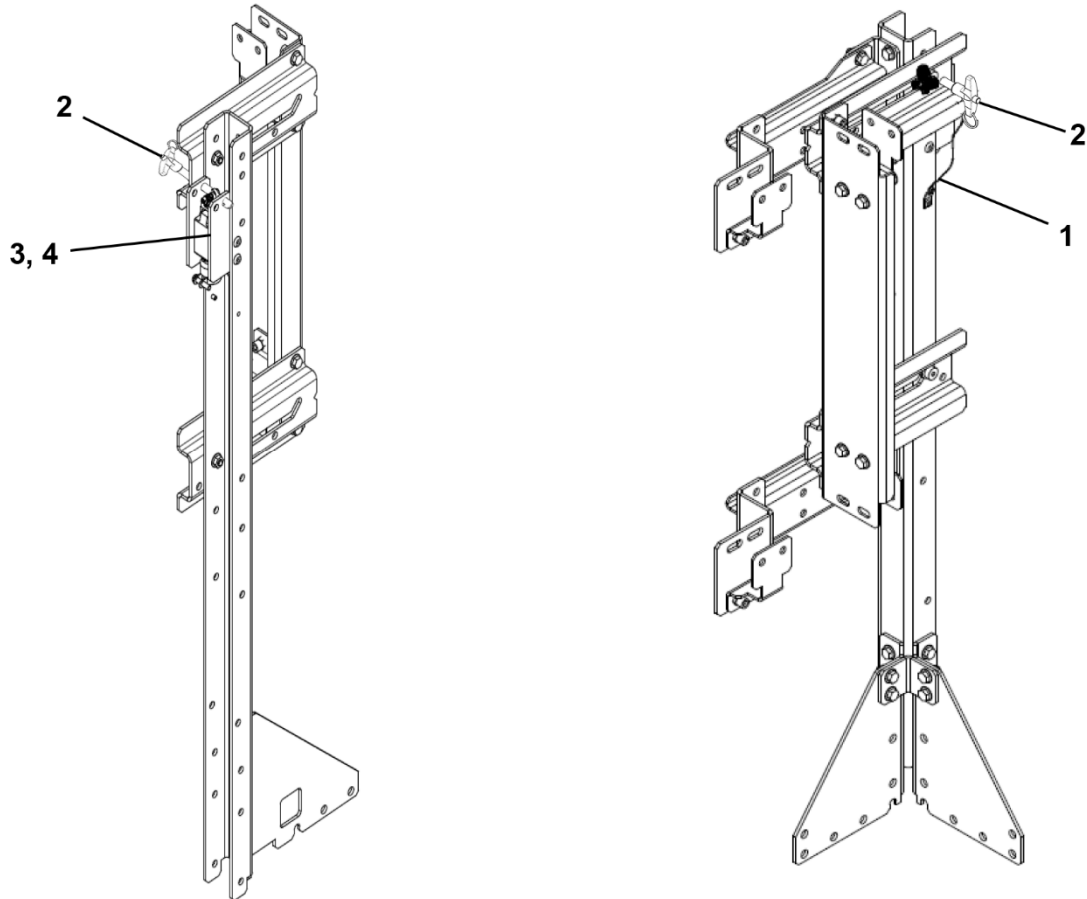
This document lists the lowest replaceable units (LRUs) for the standard version of the product. The LRUs are chosen by a team of Otis associates representing engineering and manufacturing.

While goal of this document is to make parts identification as easy as possible, the document cannot be all-inclusive. Elevator and escalator contracts classified as “special” or “custom” are not addressed here. For such contracts, please refer to specified information, the contract folder, TIPs, Field Education Articles, Construction Letters, etc. for further information.

If you have any suggestions about this document, please contact the subject matter expert listed on this page.

# Top-of-Car Handrail

**17-AAA25580DS**



<b>AAA25580DS</b>		
<b>REF. No.</b>	<b>PART No.</b>	<b>DESCRIPTION</b>
1	AAA712AK3	Lanyard, Cable Rope
2	AAA81RL1 AAA81RL2	Pin, Quick Release
3	AAA661Q6	Switch, TOC Handrail, Special Purpose; Splicing Connector and Ferrule Wire Termination
4	AAA661Q7	Switch, TOC Handrail, Special Purpose; Two Ferrule Wire Termination