

**Top-of-Car
Integration Box
for Traction Systems**

Spare Parts Leaflet

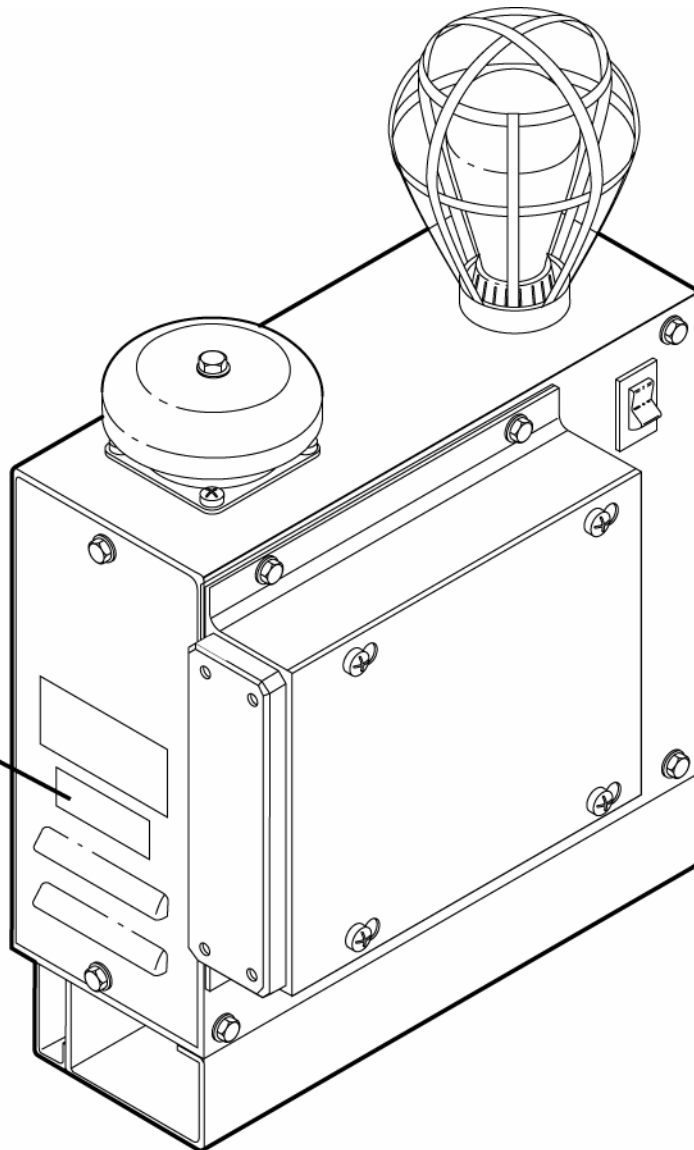
17-AAA25580Q

September 27, 2006 / Page 1 of 5

17	H-AAA25580Q
----	-------------

17	H-ABA25580Q
----	-------------

17	H-ACA25580Q
----	-------------



Unpublished Work—© Otis Elevator Co.; 2006

OTIS

Safety First!

SERVICE ENGINEERING

**Otis Elevator Company
Bloomfield, Connecticut USA**

Leaflet Description

The AAA25580Q top-of-car integration box is used in new sales traction systems, and new sales hydraulic systems use box AAA25580S. These boxes replaced the AAA25580A box that was used in both systems prior to mid-1998. Both AAA25580S and AAA25580A boxes are covered in their own leaflets.

Leaflet Revisions

Date Revised	Subject Matter Expert	Reason for Revision
November 1, 2000	John Dwyer	New SPL.
September 27, 2006	John Dwyer	Update toggle switch and lamp guard part numbers.

Related Drawings

Drawing No.	Title	Drawing No.	Title
AAA25580Q	Assembly and Arrangement Top-of-Car Integration Box	---	---

Related Documents

Document ID	Title
17-AAA25580A	Top-of-Car Integration Box
17-AAA25580S	Top-of-Car Integration Box for Hydraulic Systems
20-AAA24591B/C/D	Lambda II® Door Detector
20-AAA24591T	Lambda® III Door Detector

Subject Matter Expert

Name	Department
John Dwyer	OSC Electrical Engineering

About Spare Parts Leaflets...

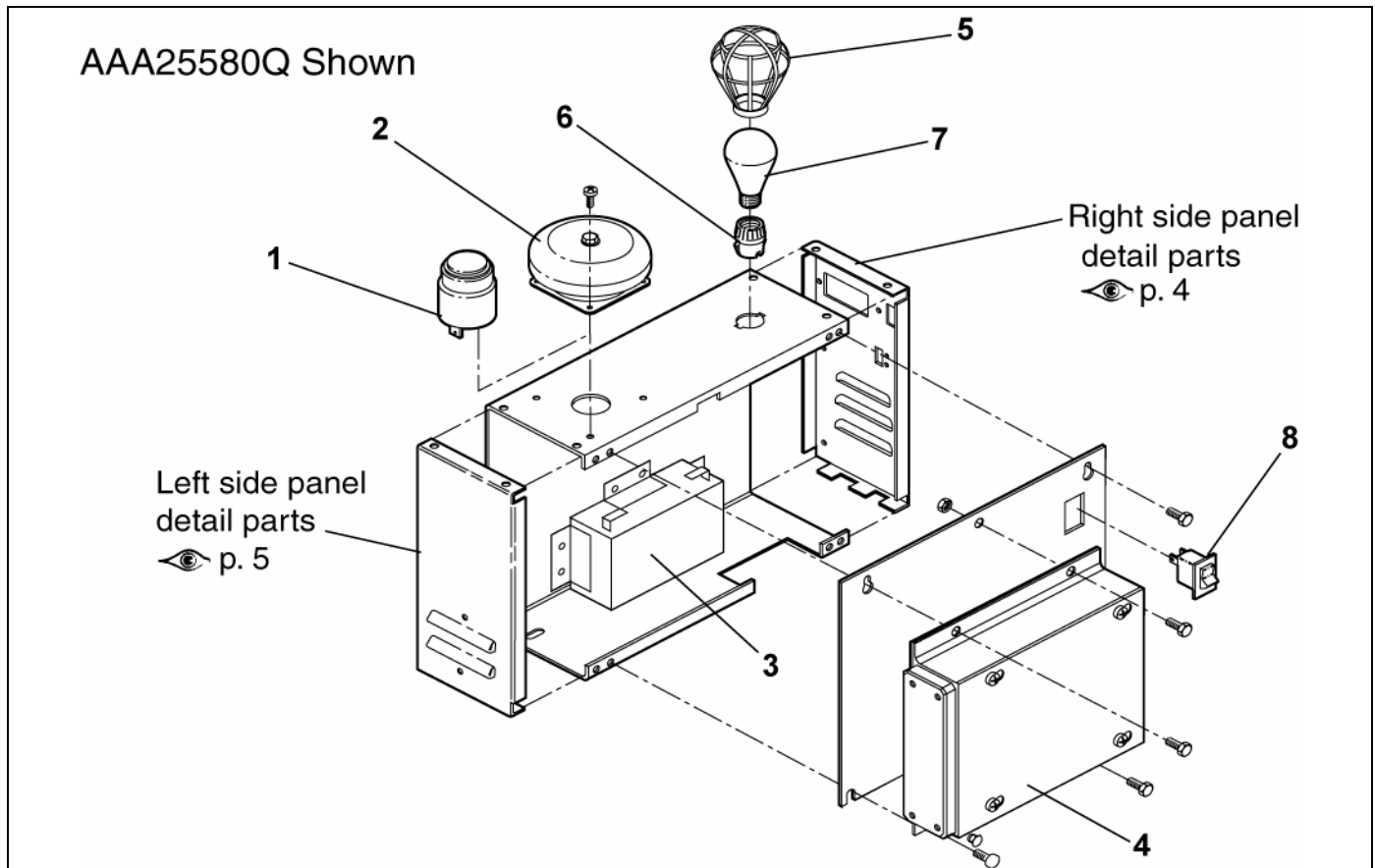
This document lists the lowest replaceable units (LRUs) for the standard version of the product. The LRUs are chosen by a team of Otis associates representing engineering and manufacturing.

While goal of this document is to make parts identification as easy as possible, the document cannot be all-inclusive. Elevator and escalator contracts classified as "special" or "custom" are not addressed here. For such contracts, please refer to specified information, the contract folder, TIPS, Field Education Articles, Construction Letters, etc. for further information.

If you have any suggestions about this document, please contact the subject matter expert listed on this page.

Top-of-Car Integration Box for Traction Systems

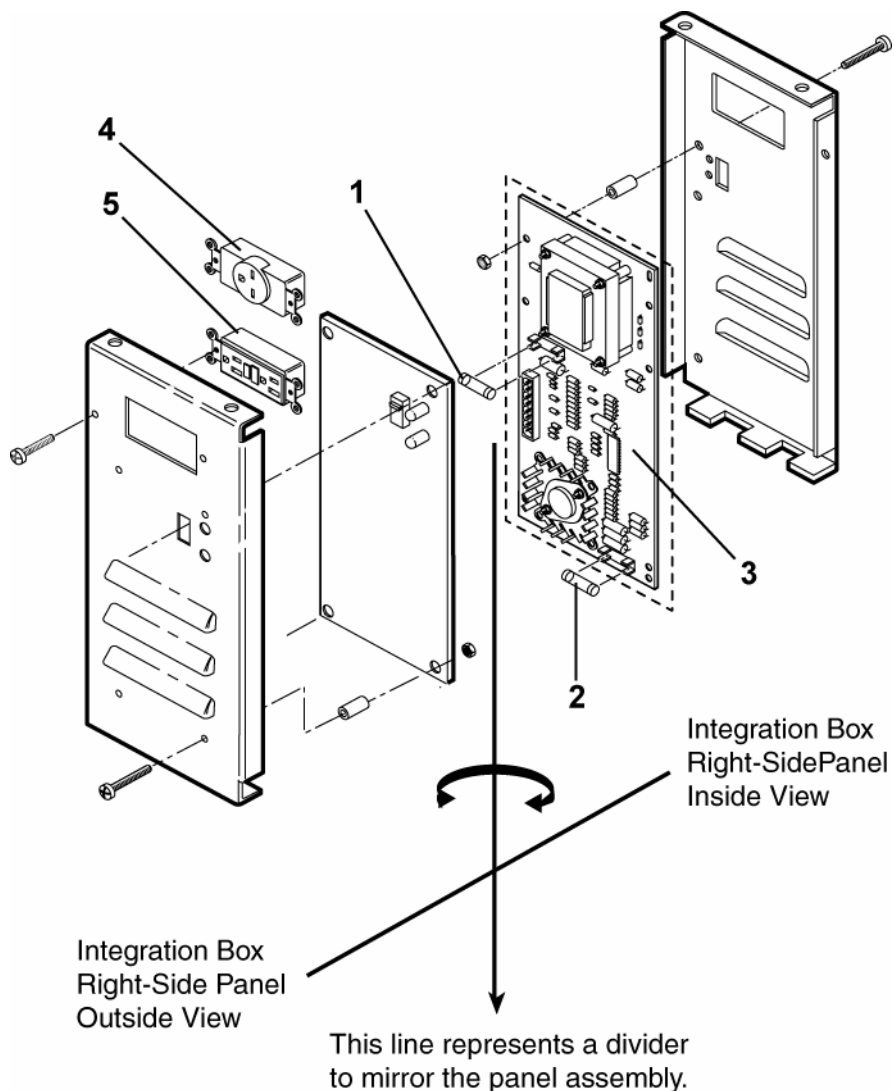
17-AAA25580Q



	AAA25580Q ABA25580Q	ACA25580Q	
REF. NO.	PART No.		DESCRIPTION
1	---	AAA731C5	Alarm, Electrical (See NOTE)
2	AAA311E3	---	Bell, 6 in., 6 V (Canada only)
	AAA311E1	---	Bell, 6 in., 6 V (except Canada)
3	AAA718E6	AAA718E10	Battery, Rechargeable
4	---		Controller, Lambda II® Door Detector (shown) 👁 SPL 20-AAA24591B/C/D
	---		Controller, Lambda® III Door Detector 👁 SPL 20-AAA24591T
5	AAA384ABX1	AAA384AFU1 AAA384ABX1 + AAA336MM1	Guard, Lamp
6	AAA618BD1		Holder, Lamp
7	6599D14		Lamp, 125 V, 100 W
	6599D15		Lamp, 250 V, 100 W
8	477DM4 AAA177EN6		Switch, Toggle, 1-Pole

NOTE: Applicable to ACA25580Q Only

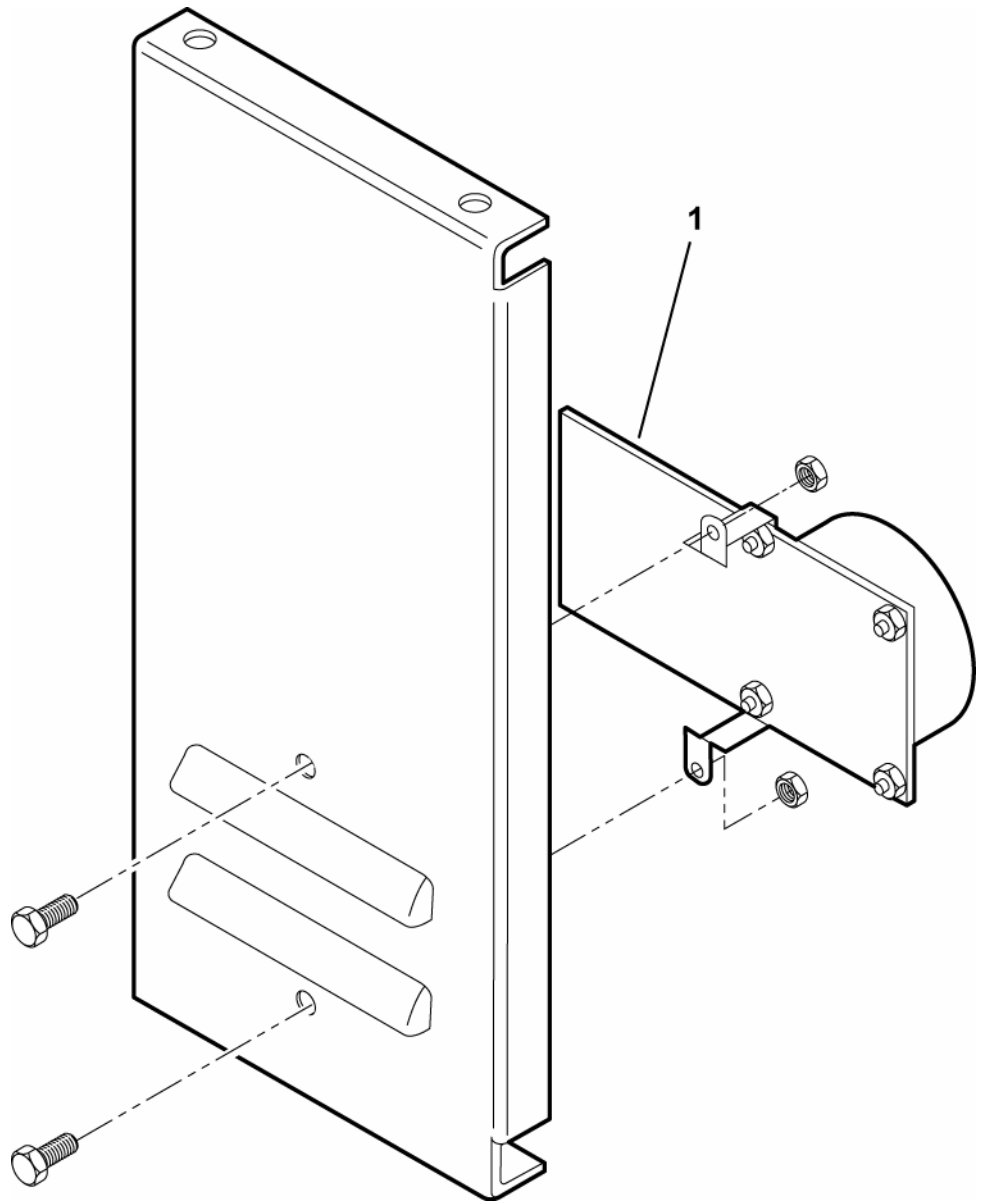
Top-of-Car Integration Box for Traction Systems



REF. NO.	PART No.		DESCRIPTION
	AAA25580Q ABA25580Q	ACA25580Q	
1	AAA375BY2		Fuse, 0.25 A, Time-Delay (XF1, International)
	AAA375BY15		Fuse, 0.5 A, Time-Delay (XF1, NAA)
2	AAA375CF5		Fuse, 4.0 A, 125 V (XF2, NAA)
	AAA375CF6		Fuse, 4.0 A, 250 V (XF2, International)
3	AAA26800TU1		PC Board, Emergency Lighting (NAA)
	AAA26800TU2		PC Board, Emergency Lighting (International)
4	AAA648C2	AAA648C4	Receptacle, 15 A, 250 V (International)
5	641A4		Receptacle, GFCI (NAA)

Top-of-Car Integration Box for Traction Systems

17-AAA25580Q



**AAA25580Q
ABA25580Q
ACA25580Q**

REF. NO.	PART No.	DESCRIPTION
1	GCA23550B1	PC Board, Gong, w/o Mounting Brackets