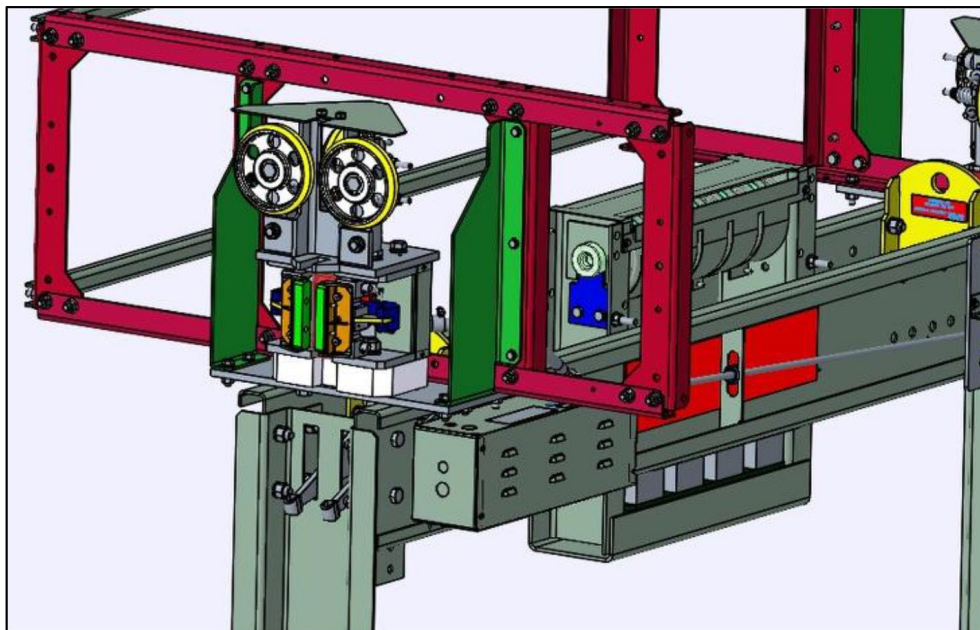
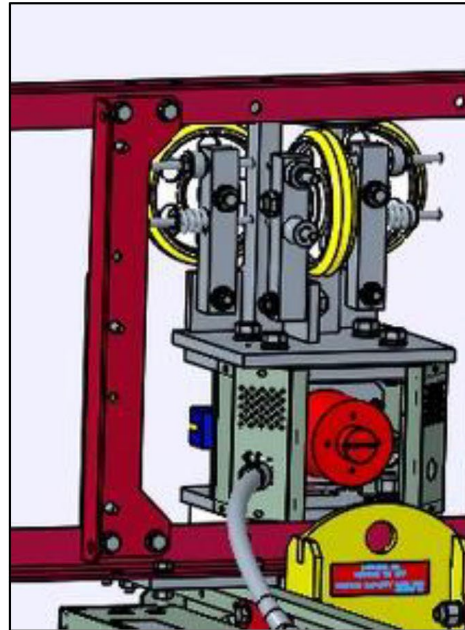


Friction Damper Control Box

Spare Parts Leaflet 17-AAA27076HP

March 13, 2024 / Page 1 of 3

W/O
VINTAGE



OTIS

This document does not contain any technical data subject to EAR or ITAR

SERVICE ENGINEERING
Otis Elevator Company
Bloomfield, Connecticut USA

Unpublished Work—© Otis Elevator Co.; 2024

Leaflet Description

This leaflet provides information for AAA27076HP assembly of the friction damper control box used on belted cars with excessive bounce.

Leaflet Revisions

Date Revised	Subject Matter Expert	Reason for Revision
March 13, 2024	Tricia Derwinski	New SPL

Related Drawings

Drawing No.	Title	Drawing No.	Title
AAA27076HP	Gen3 Peak, G2O, Gen2 Mod Friction Damper System Assembly	HAA24211A	Dampener

Related Documents

Document ID	Title
SPL 07-HAA24211A	Friction Damper
FIM AAA27076HP_FIM	AAA27076HP Installation Instructions

Subject Matter Expert

Name	Department
Juan Murillo	OSC Service Engineering
Tricia Derwinski	Mechanical Engineering LDC-F

About Spare Parts Leaflets...

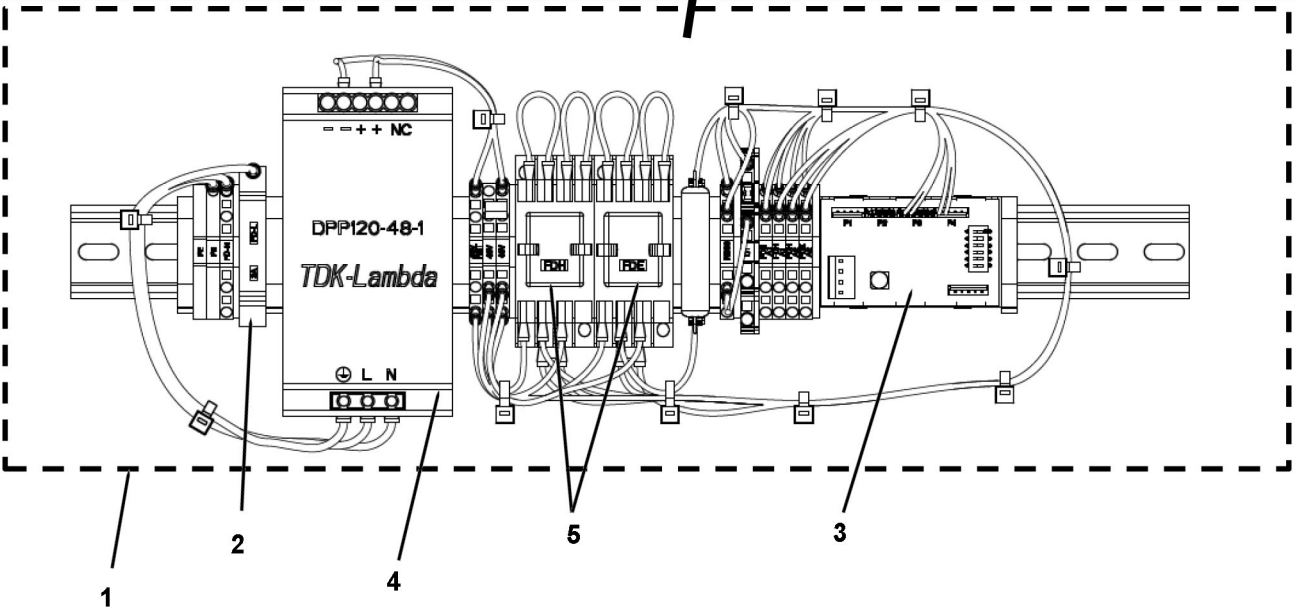
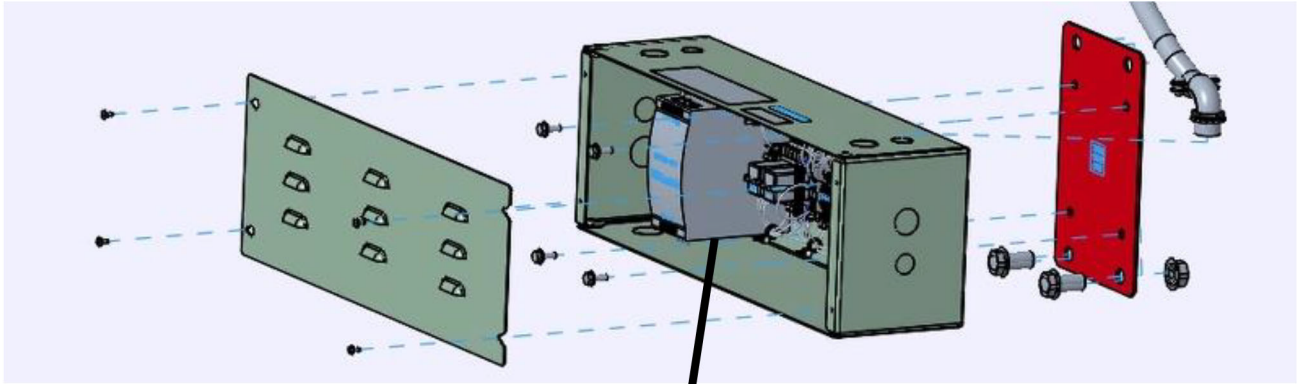
This document lists the lowest replaceable units (LRUs) for the standard version of the product. The LRUs are chosen by a team of Otis associates representing engineering and manufacturing.

While goal of this document is to make parts identification as easy as possible, the document cannot be all-inclusive. Elevator and escalator contracts classified as "special" or "custom" are not addressed here. For such contracts, please refer to specified information, the contract folder, TIPS, Field Education Articles, Construction Letters, etc. for further information.

If you have any suggestions about this document, please contact the subject matter expert listed on this page.

17-AAA25580DW

Friction Damper Control Box



W/O VINTAGE		
REF. No.	PART No.	DESCRIPTION
1	AAA25580DV1	Assembly, Terminal Block, Top-of-Car Equipment
2	AAA375BR12	Fuse, 3A
3	DAA26800AL4 DCA26800AL1	PC Board, RS14
4	AAA621AT26	Power Supply, 48 VDC
5	AAA613CZ32	Relay, General Purpose