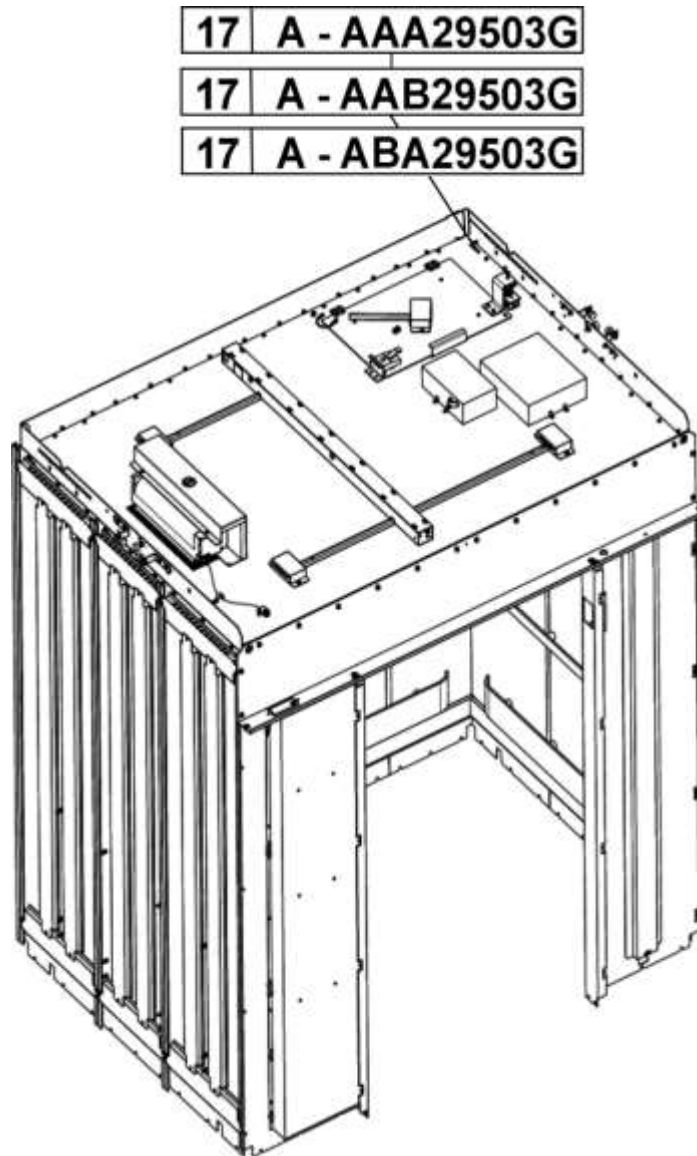


Gen2® Overslung Cab Assembly

Spare Parts Leaflet

17-AAA29503G

February 16, 2022 / Page 1 of 14



OTIS

This document does not contain any technical data subject to EAR or ITAR

SERVICE ENGINEERING
Otis Elevator Company
Bloomfield, Connecticut USA

Unpublished Work—©Otis Elevator Co.; 2022

Leaflet Description

This leaflet describes the lowest replaceable parts for the A__29503G cab used on the Gen2 Overslung system. From 2013 through February 2016, some parts were supplied by Concept Elevator and Gunderlin Elevator for the AAA29503G vintage.

Leaflet Revisions

Date Revised	Subject Matter Expert	Reason for Revision
October 28, 2020	Jay Lengacher	New SPL
May 19, 2021	Ted Kingsley and Juan Murillo	Updated EEC components on p. 4
June 30, 2021	Juan Murillo & Ted Kingsley	CN1558705: Replaced P/Ns on p. 10
February 16, 2022	Juan Murillo & Jay Lengacher	Added air ionizer on p. 5 and UVC light on p. 11

Related Drawings

Drawing No.	Title	Drawing No.	Title
AAA29503G_TDS	G2O Car Technical Data Sheet		
AAB29503G_TDS			

Related Documents

Document ID	Title
SPL 14-AAA29507J	Gen2 Overslung Carframe Assembly
SPL 40-AAA29000AT	System Level SPL G2O NSAA

Subject Matter Expert

Name	Department
Jay Lengacher and Ted Kingsley	New Products, Florence

About Spare Parts Leaflets...

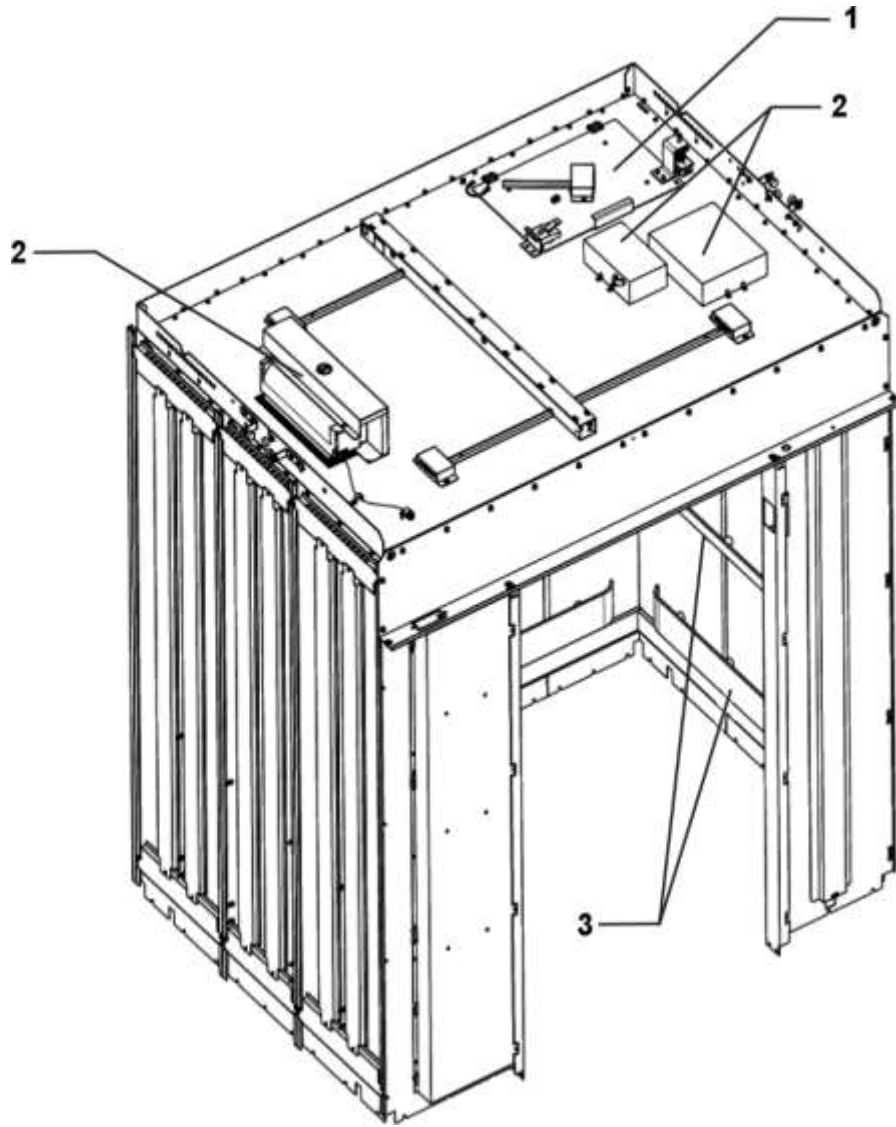
This document lists the lowest replaceable units (LRUs) for the standard version of the product. The LRUs are chosen by a team of Otis associates representing engineering and manufacturing.

While goal of this document is to make parts identification as easy as possible, the document cannot be all-inclusive. Elevator and escalator contracts classified as “special” or “custom” are not addressed here. For such contracts, please refer to specified information, the contract folder, TIPs, Field Education Articles, Construction Letters, etc. for further information.

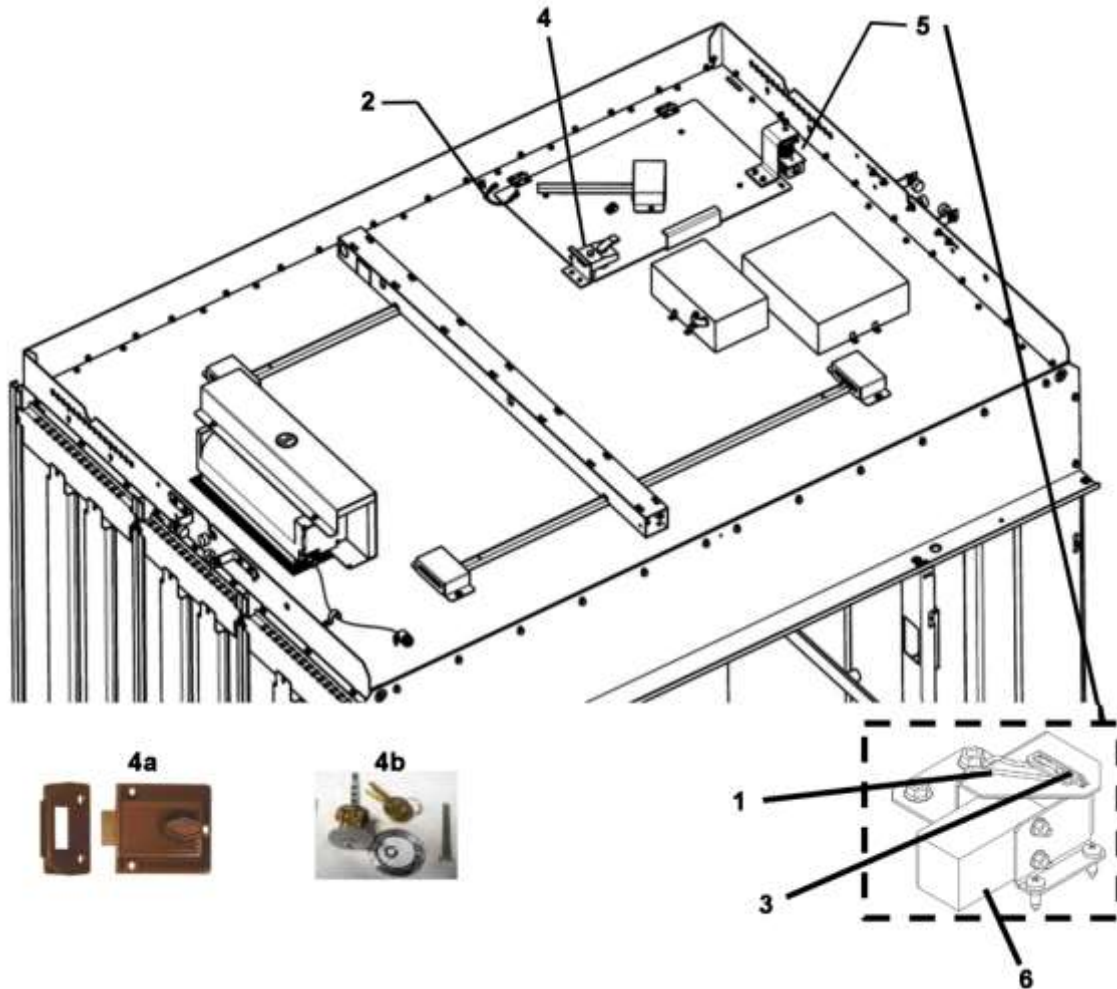
If you have any suggestions about this document, please contact the subject matter expert listed on this page.

Table of Contents

17-AAA29503G



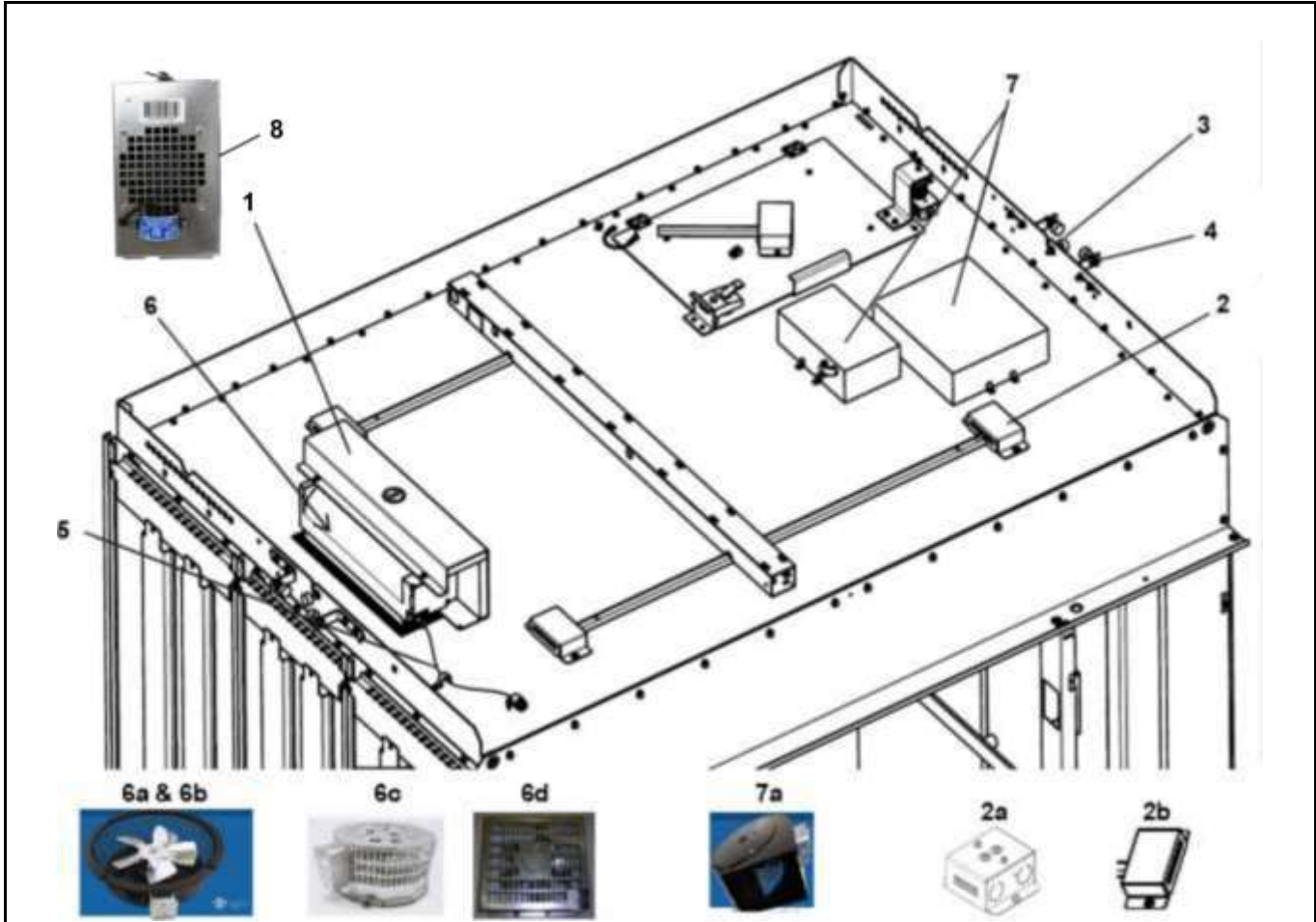
REF. No.	PAGE No.	DESCRIPTION
1	4	Top-of-Car Emergency Exit
2	5	Top-of-Car Fan and Cab Steadier and Air Ionizer
3	6–9	Handrails & Bumper Rails, In Car
*	10–11	Light Fixtures and UVC Light Fixture
*	12–13	Glass Rear Wall Glass and Kit
*	14	Strike Column Spare Parts



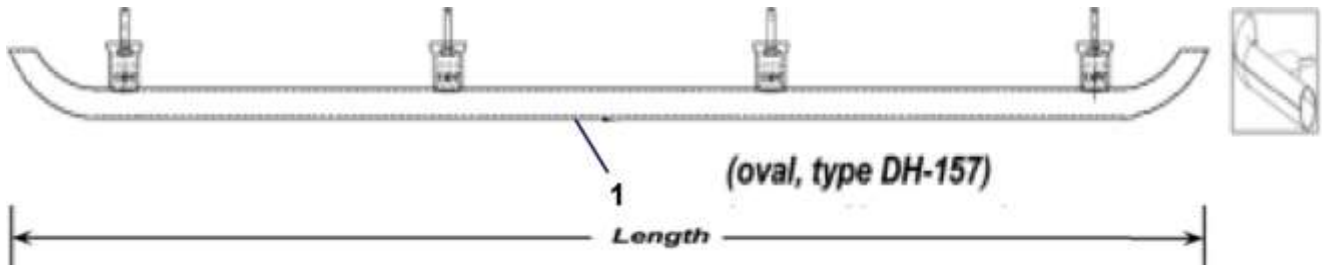
		AAA29503G AAB29503G ABA29503G	AAA29503G		
REF. No.	PART No.			DESCRIPTION	
	Otis	Gunderlin	Concept		
1	AAA712AK1	---	---	Cable, Lanyard	
2	AAA332BX1	---	---	Chain, Safety	
3	AAA22800T5	---	---	Keyswitch	
4	AAA431AM1	---	---	Lock, 5-Pin, w/ 2 Keys, #1245	
	AAA431AM2	---	---	Lock, 5-Pin, w/ 2 Keys, #3502 MA	
4a	---	AAA27076JW1	---	Lock, 5-Pin, w/ 2 Keys, #1245	
		AAA27076JW2	---	Lock, 5-Pin, w/ 2 Keys, #3502 MA	
4b	---	---	AAA27076JW15	Lock, 5-Pin, w/ 2 Keys, #1245	
			AAA27076JW16	Lock, 5-Pin, w/ 2 Keys, #3502 MA	
5	AAA6098NS1 AAA23400AL1	---	---	Switch, Emergency Exit	
6	AAA22800T4	---	---	Switch	

Top-of-Car Spare Parts

17-AAA29503G

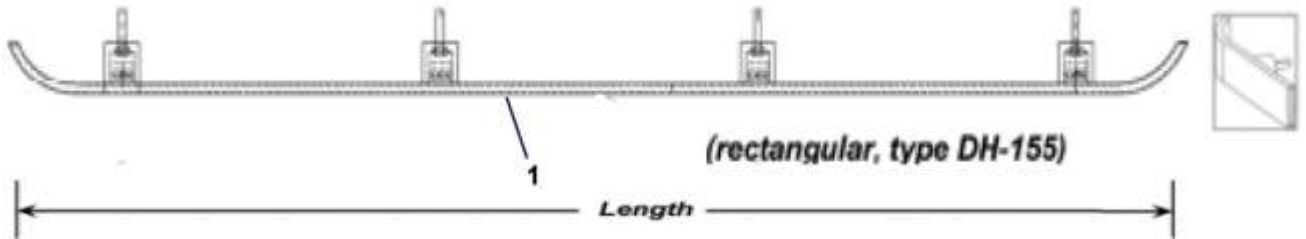


REF. No.	AAA29503G AAB29503G		AAA29503G		DESCRIPTION
	PART No.				
	Otis	Gunderlin	Concept		
1	AAA308WD1	---	---		Box, Car Depth < 1500 mm (< 3500 duty), w/o Ion Fan
	AAA308WD5	---	---		Box, Car Depth ≥ 1500 mm (≥ 3500 duty), w/o Ion Fan
	AAA308AGD9	---	---		Box, Car Depth < 1500 mm (< 3500 duty), w/ Ion Fan
	AAA308AGD13	---	---		Box, Car Depth ≥ 1500 mm (≥ 3500 duty), w/ Ion Fan
2	AAA316KCP1	---	---		Bracket, Light Fixture Cover
2a	---	AAA458P1	---		Bracket, Light Fixture Cover
2b	---	---	AAA316KCP1		Bracket, Light Fixture Cover
3	AAA316KHC1	---	---		Bracket, Steadier
4	FAA320AV1	---	---		Bumper, Steadier
5	AAA22940BJ405	---	---		Cable, Fan Hardware Kit
6	AAA24720S1	---	---		Fan, Car Depth < 1500 mm (< 3500 Duty)
	AAA24720S2	---	---		Fan, Car Depth ≥ 1500 mm (≥ 3500 Duty)
6a	---	AAA27076JW5	---		Fan, Car Depth < 1500 mm (< 3500 duty), 12 in. Fan
6b	---	AAA27076JW6	---		Fan, Car Depth ≥ 1500 mm (≥ 3500 duty), 14 in. Fan
6c	---	---	AAA27076JW19		Fan, Car Depth > 2100 mm (4000 passenger)
6d	---	---	AAA27076JW20		Fan, Car Depth < 2100 mm (4000 service)
7	AAA24720M7	---	AAA24720M7		Fan, Variable Speed
7a	---	AAA27076W7	---		Fan, Variable Speed
8	AAA24720AE1	---	---		Purifier, Air, Ionizing



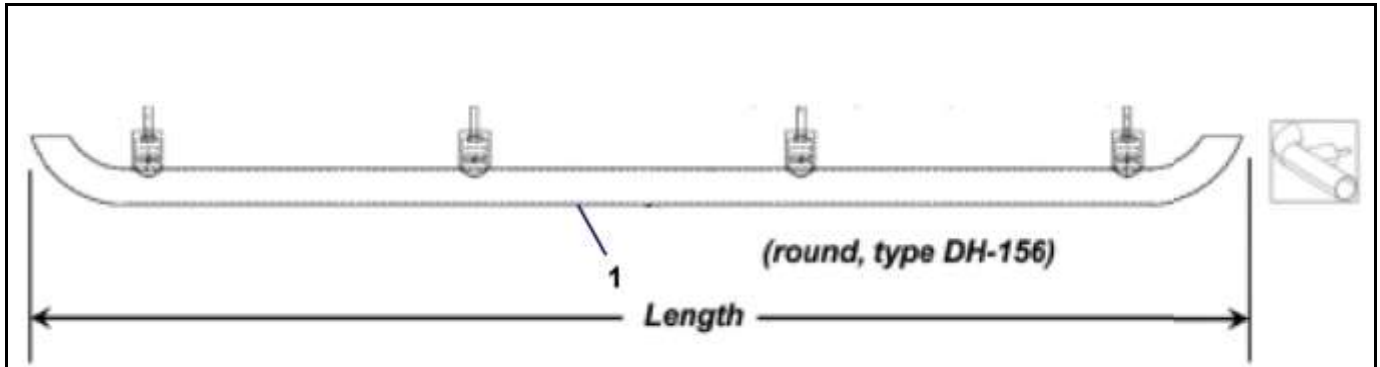
REF. No.	PART No.	FINISH	DUTIES (lb.)	LENGTH	HANDRAIL SHAPE	
	AAA29503G AAB29503G					
1	SIDE					
	AAA139DL1-FS4	FS4 (Brushed Stainless Steel)	2500	41.9 in. (1064 mm)	Oval, DH-157, 1 x 2 in. (24.5 x 50.8 mm)	
	AAA139DL2-FS4		3000	47.8 in. (1213 mm)		
	AAA139DL3-FS4		3500 & 400	55.7 in. (1416 mm)		
	AAA139DL4-FS4		400 Service	79.8 in. (2026 mm)		
	AAA139DL5-FS4		4500	85.8 in. (2178 mm)		
	AAA139DL6-FS4		5000	92.8 in. (2356 mm)		
	AAA139DL7-FS4		5000 AIA	98.7 in. (2508 mm)		
	AAA139DL12-FS4		5000 AIA	98.9 in. (2512 mm)		
	REAR					
	AAA139DL8-FS4	FS4 (Brushed Stainless Steel)	4000, 4500, 5000 AIA	59.7 in. (1515 mm)		
	AAA139DL9-FS4		5000	62.6 in. (1591 mm)		
	AAA139DL10-FS4		2500, 3000, 3500	71.7 in. (1820 mm)		
	AAA139DL11-FS4		400 Passenger	83.7 in. (2125 mm)		

(Continued on next page)



REF. No.	PART No.	FINISH	DUTIES (lb.)	LENGTH	HANDRAIL SHAPE	
	AAA29503G AAB29503G					
1	SIDE					
	AAA139DJ1-___	SS8 (Mirrored Stainless Steel) FS4 (Brushed Stainless Steel) BR7 (Brushed Bronze) BR8 (Mirrored Bronze) LBR (Light Anobronze) DBR (Dark Anobronze)	2500	41.9 in. (1064 mm)	Rectangular, DH-155, 2 x 0.375 in. (50.8 x 9.5 mm)	
	AAA139DJ2-___		3000	47.8 in. (1213 mm)		
	AAA139DJ3-___		3500 & 4000	55.7 in. (1416 mm)		
	AAA139DJ4-___		4000 Service	79.8 in. (2026 mm)		
	AAA139DJ5-___		4500	85.8 in. (2178 mm)		
	AAA139DJ6-___		5000	92.8 in. (2356 mm)		
	AAA139DJ7-___		5000 AIA	98.7 in. (2508 mm)		
	AAA139DJ12-___		5000 AIA	98.9 in. (2512 mm)		
	REAR					
	AAA139DJ8-___	SS8 (Mirrored Stainless Steel)	4000, 4500, 5000 AIA	59.7 in. (1515 mm)		
	AAA139DJ9-___	FS4 (Brushed Stainless Steel)	5000	62.6 in. (1591 mm)		
	AAA139DJ10-___	BR7 (Brushed Bronze) BR8 (Mirrored Bronze)	2500, 3000, 3500	71.7 in. (1820 mm)		
	AAA139DJ11-___	LBR (Light Anobronze) DBR (Dark Anobronze)	4000 Passenger	83.7 in. (2125 mm)		

NOTE: Specify surface finish, for example: AAA139DJ1-FS4 for brushed stainless steel finish.

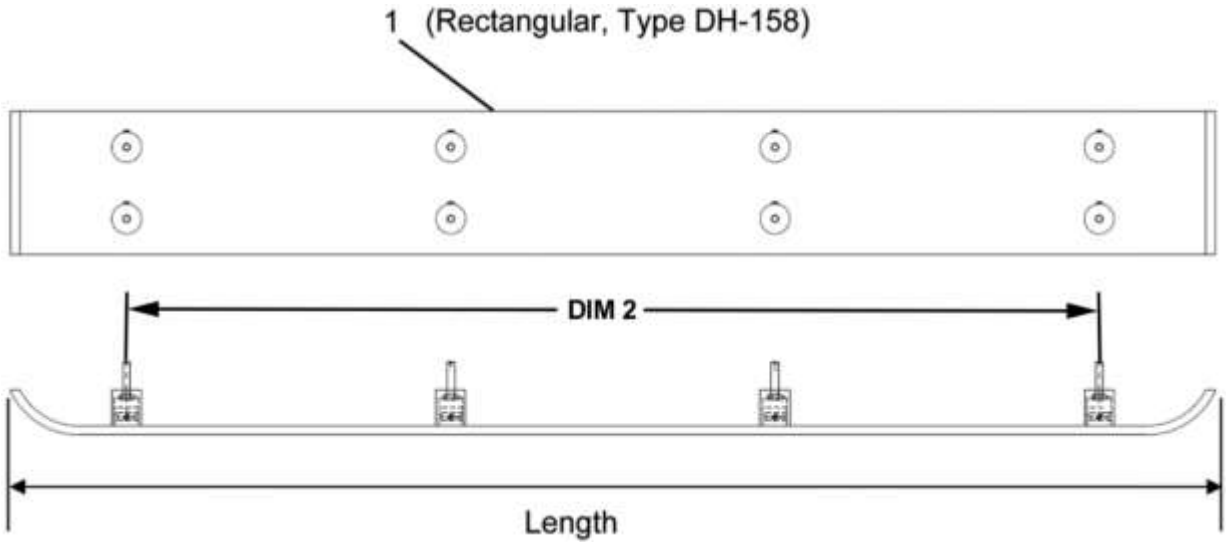
17-AAA29503G**In-Car Handrail, Round, DH-156**

REF. No.	PART No.	FINISH	DUTIES (lb.)	LENGTH	HANDRAIL SHAPE
	AAA29503G AAB29503G				
1	SIDE				
	AAA139DK1-__	SS8 (Mirrored Stainless Steel) FS4 (Brushed Stainless Steel) BR7 (Brushed Bronze) BR8 (Mirrored Bronze) LBR (Light Anobronze) DBR (Dark Anobronze)	2500	41.9 in. (1064 mm)	Round, DH-156, 1.5 in. (38.1 mm)
	AAA139DK2-__		3000	47.8 in. (1213 mm)	
	AAA139DK3-__		3500 & 4000	55.7 in. (1416 mm)	
	AAA139DK4-__		4000 Service	79.8 in. (2026 mm)	
	AAA139DK5-__		4500	85.8 in. (2178 mm)	
	AAA139DK6-__		5000	92.8 in. (2356 mm)	
	AAA139DK7-__		5000 AIA	98.7 in. (2508 mm)	
	AAA139DK12-__		5000 AIA	98.9 in. (2512 mm)	
	REAR				
	AAA139DK8-__	SS8 (Mirrored Stainless Steel) FS4 (Brushed Stainless Steel)	4000, 4500, 5000 AIA	59.7 in. (1515 mm)	
	AAA139DK9-__	BR7 (Brushed Bronze) BR8 (Mirrored Bronze)	5000	62.6 in. (1591 mm)	
	AAA139DK10-__	LBR (Light Anobronze) DBR (Dark Anobronze)	2500, 3000, 3500	71.7 in. (1820 mm)	
	AAA139DK11-__		4000 Passenger	83.7 in. (2125 mm)	

NOTE: Specify surface finish, **for example:** AAA139DK1-FS4 for brushed stainless steel finish.

In-Car Bumper Rail, Rectangular, DH-158

17-AAA29503G



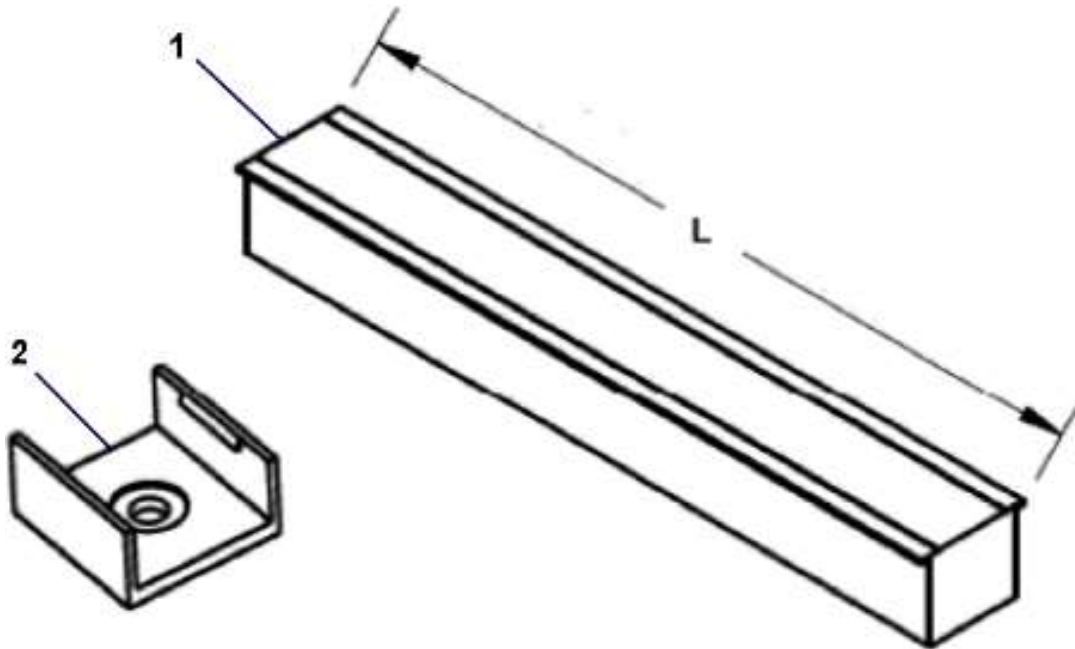
AAA29503G
AAB29503G

REF. No.	PART No.	FINISH	DUTIES (lb.)	LENGTH	HANDRAIL SHAPE	
1	SIDE					Rectangular, DH-158, 3/8 or 1/2 x 6 in. (9.5 or 12.7 x 152.4 mm)
	AAA139DM1-__	SS8 (Mirrored Stainless Steel) FS4 (Brushed Stainless Steel) BR7 (Brushed Bronze) BR8 (Mirrored Bronze) LBR (Light Anobronze) DBR (Dark Anobronze)	2500	41.9 in. (1064 mm)		
	AAA139DM2-__		3000	47.8 in. (1213 mm)		
	AAA139DM3-__		3500 & 4000	55.7 in. (1416 mm)		
	AAA139DM4-__		4000 Service	79.8 in. (2026 mm)		
	AAA139DM5-__		4500	85.8 in. (2178 mm)		
	AAA139DM6-__		5000	92.8 in. (2356 mm)		
	AAA139DM7-__		5000 AIA	98.7 in. (2508 mm)		
	AAA139DM12-__		5000 AIA	98.9 in. (2512 mm)		
	REAR					
	AAA139DM8-__	SS8 (Mirrored Stainless Steel)	4000, 4500, 5000 AIA	59.7 in. (1515 mm)		
	AAA139DM9-__	FS4 (Brushed Stainless Steel)	5000	62.6 in. (1591 mm)		
	AAA139DM10-__	BR7 (Brushed Bronze) BR8 (Mirrored Bronze)	2500, 3000, 3500	71.7 in. (1820 mm)		
	AAA139DM11-__	LBR (Light Anobronze) DBR (Dark Anobronze)	4000 Passenger	83.7 in. (2125 mm)		

NOTE: Specify surface finish, for example: AAA139DM1-FS4 for brushed stainless steel finish.

17-AAA29503G

Light Fixture



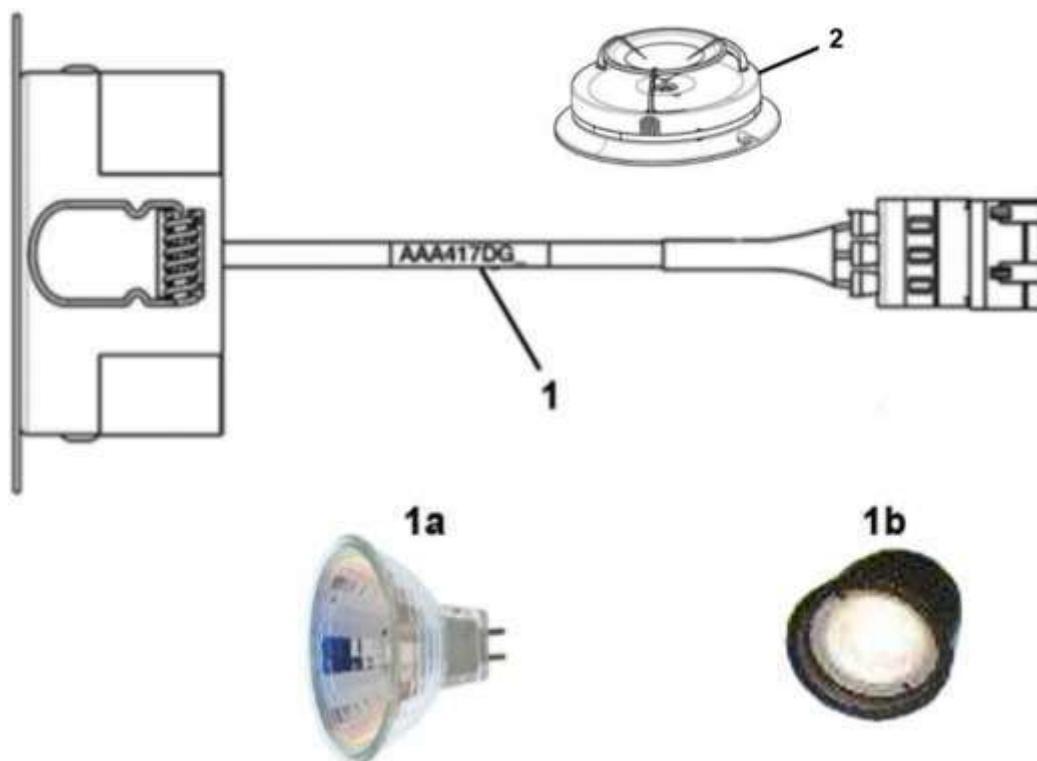
REF. No.	AAB29503G PART No.	DESCRIPTION	L	
1	AAA24710P500 AAA417DM1	Fixture, Light Side	45.4 in. (1154 mm)	
	AAA24710P501 AAA417DM3		51.3 in. (1303 mm)	
	AAA24710P502 AAA417DM5		59.3 in. (1506 mm)	
	AAA24710P503 AAA417DM7		83.3 in. (2116 mm)	
	AAA24710P504 AAA417DM8		89.3 in. (2268 mm)	
	AAA24710P505 AAA417DM10		96.3 in. (2446 mm)	
	AAA24710P506 AAA417DM12		102.3 in. (2598 mm)	
	AAA417DM999		Specify Length**	
	AAA24710P507 AAA417DM13		Fixture, Light Rear	63.2 in. (1605 mm)
	AAA24710P508 AAA417DM14			66.2 in. (1681 mm)
	AAA24710P509 AAA417DM19			75.2 in. (1910 mm)
	AAA24710P510 AAA417DM20			87.2 in. (2215 mm)
	AAA417DM998			Specify Length**
	2		AAA24710P511	Clip, Mounting, Light Fixture
*	AAA24710P512	Harness, Light Fixture	---	

* Part not shown.

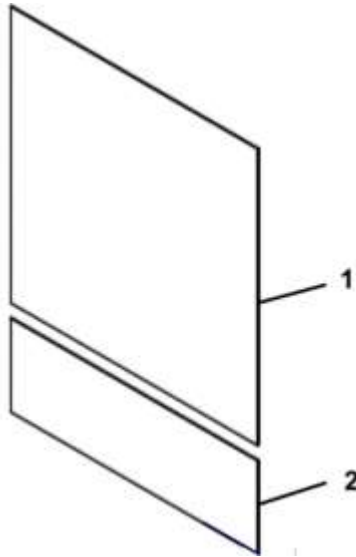
** Fixture lengths not shown. Must be special ordered by specifying the fixture length in mm.
Example: For a rear light fixture 1950mm long, order AAA417DM998-1950.

Light

17-AAA29503G



	AAA29503G AAB29503G	AAA29503G		
REF. No.	PART No.	GUNDERLIN	CONCEPT	DESCRIPTION
1	AAA417DG4 AAA417DG6	---	---	Bulb, LED, Brushed Nickel Finish, 4W Bulb, LED, Brushed Nickel Finish, 2W, 3500K
	AAA417DG2 AAA417DG7	---	---	Bulb, LED, White Finnish, 4W Bulb, LED, White Finish, 2W, 3500K
	AAA417DG3 AAA417DG8	---	---	Bulb, LED, Black Finnish, 4W Bulb, LED, Black Finish, 2W, 3500K
	AAA417DG4 AAA417DG9	---	---	Bulb, LED, Gold Finnish, 4W Bulb, LED, Gold Finish, 2W, 3500K
	AAA417DG5 AAA417DG10	---	---	Bulb, LED, Chrome Finnish, 4W Bulb, LED, Chrome Finish, 2W, 3500K
1a	---	AAA27076JW14	---	Bulb, Halogen, 20W
1b	---	---	AAA27076JW24	Bulb, LED, 4W, 4000K
2	AAA417DN8	Fixture, UVC Light, Inside Cab Mounting Height ≥ 2286 & < 2337		
	AAA417DN9	Fixture, UVC Light, Inside Cab Mounting Height ≥ 2337 & < 2439		
	AAA417DN10	Fixture, UVC Light, Inside Cab Mounting Height ≥ 2439		



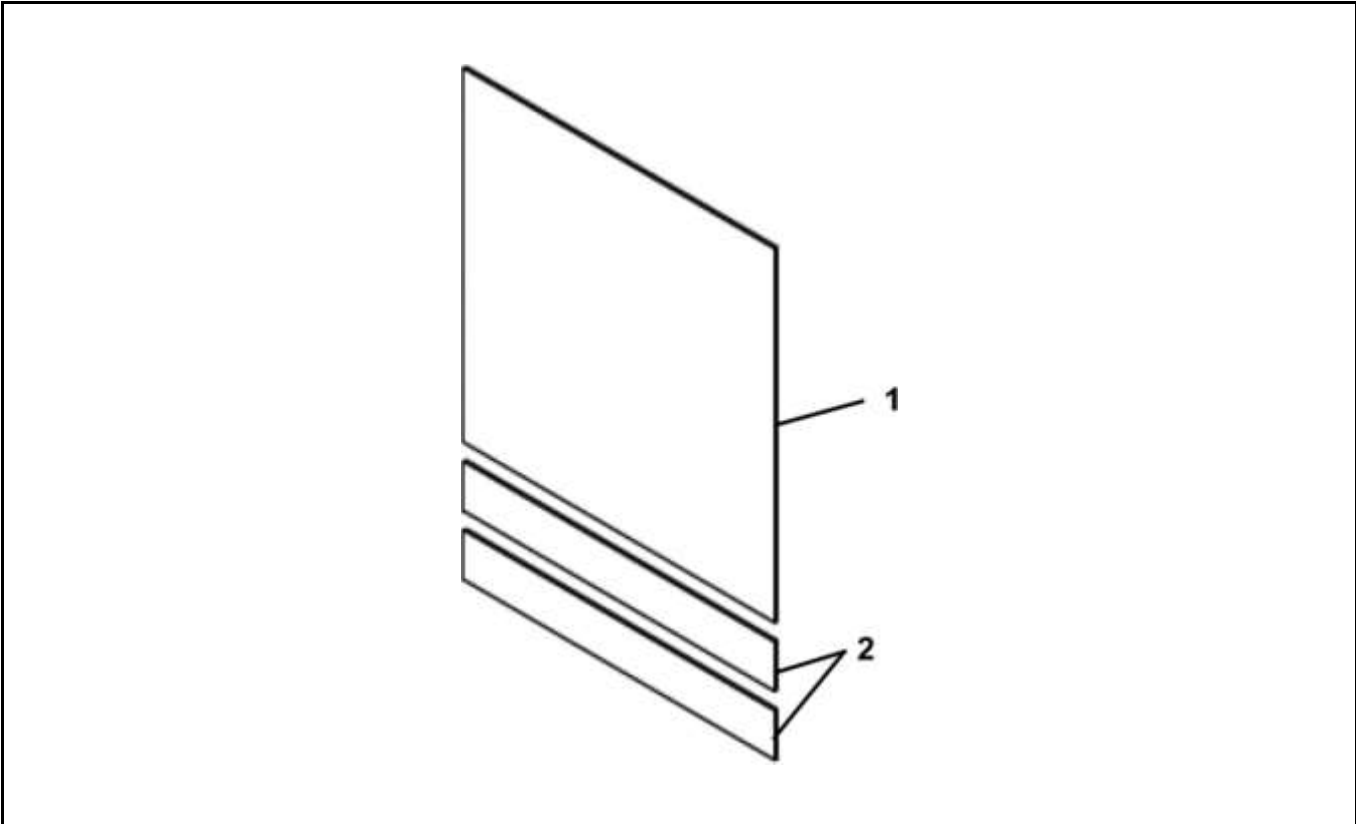
**AAA29503G
AAB29503G**

REF. No.	PART No.	DESCRIPTION	GLASS THICKNESS (in.)	GLASS WIDTH.	GLASS HEIGHT	LOCAL CODE
1	AAA374AES500	Upper Glass	1/4	1492	1384	Not = California or Los Angeles California
	AAA374AES501		9/16		1867	
	AAA374AES502		1/4	1568	1384	
	AAA374AES503		9/16		1867	
	AAA374AES504		1/4	1797	1384	
	AAA374AES505		9/16		1867	
	AAA374AES506		1/4	2102	1384	
	AAA374AES507		9/16		1867	
	AAA374AES508		1/4	1492	1384	
	AAA374AES509		9/16		1867	
	AAA374AES510		1/4	1568	1384	
	AAA374AES511		9/16		1867	
	AAA374AES512		1/4	1797	1384	
	AAA374AES513		9/16		1867	
	AAA374AES514		1/4	2102	1384	
AAA374AES515	9/16	1867				
2	AAA374AES516	Lower Glass	1/4	1492	591	
	AAA374AES517		9/16			
	AAA374AES518		1/4	1568		
	AAA374AES519		9/16			
	AAA374AES520		1/4	1797		
	AAA374AES521		9/16			
	AAA374AES522		1/4	2102		
	AAA374AES523		9/16			

(Continued on next page)

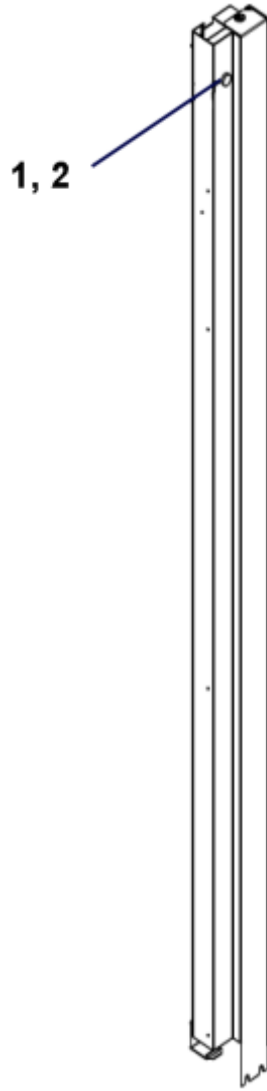
Glass Rear Wall Glass and Kit

17-AAA29503G



AAA29503G AAB29503G						
REF. No.	PART No.	DESCRIPTION	GLASS THICKNESS (in.)	GLASS WIDTH.	GLASS HEIGHT	LOCAL CODE
1	AAA374AES524	Upper Glass	9/16	1486	1378	California or Los Angeles California
	AAA374AES525				1861	
	AAA374AES526			1562	1378	
	AAA374AES527				1861	
	AAA374AES528			1791	1378	
	AAA374AES529				1861	
	AAA374AES530			2096	1378	
	AAA374AES531				1861	
2	AAA374AES532	Lower Glass	9/16	1486	242	California or Los Angeles California
	AAA374AES533					
	AAA374AES534					
	AAA374AES535					

REF. No.	PART No.	LOCAL CODE	GLASS THICKNESS (in.)
Not Shown	AAA374AES400	NOT = California or Los Angeles California	1/4
	AAA374AES401		9/16
	AAA374AES402	California or Los Angeles California	



AAA29503G AAB29503G		
REF. No.	PART No.	DESCRIPTION
1	320CV2	Bumper, Strike
2	ISO1234-2x40Z	Pin, Cotter, 2 mm Dia., 40 mm Long